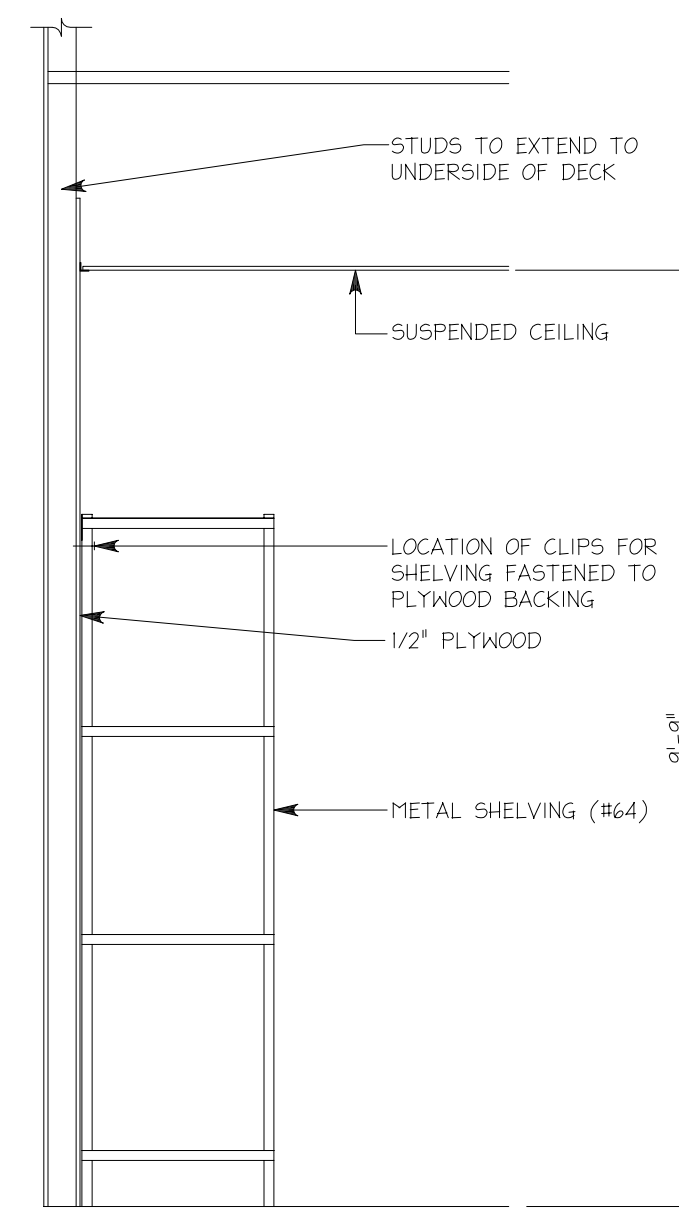
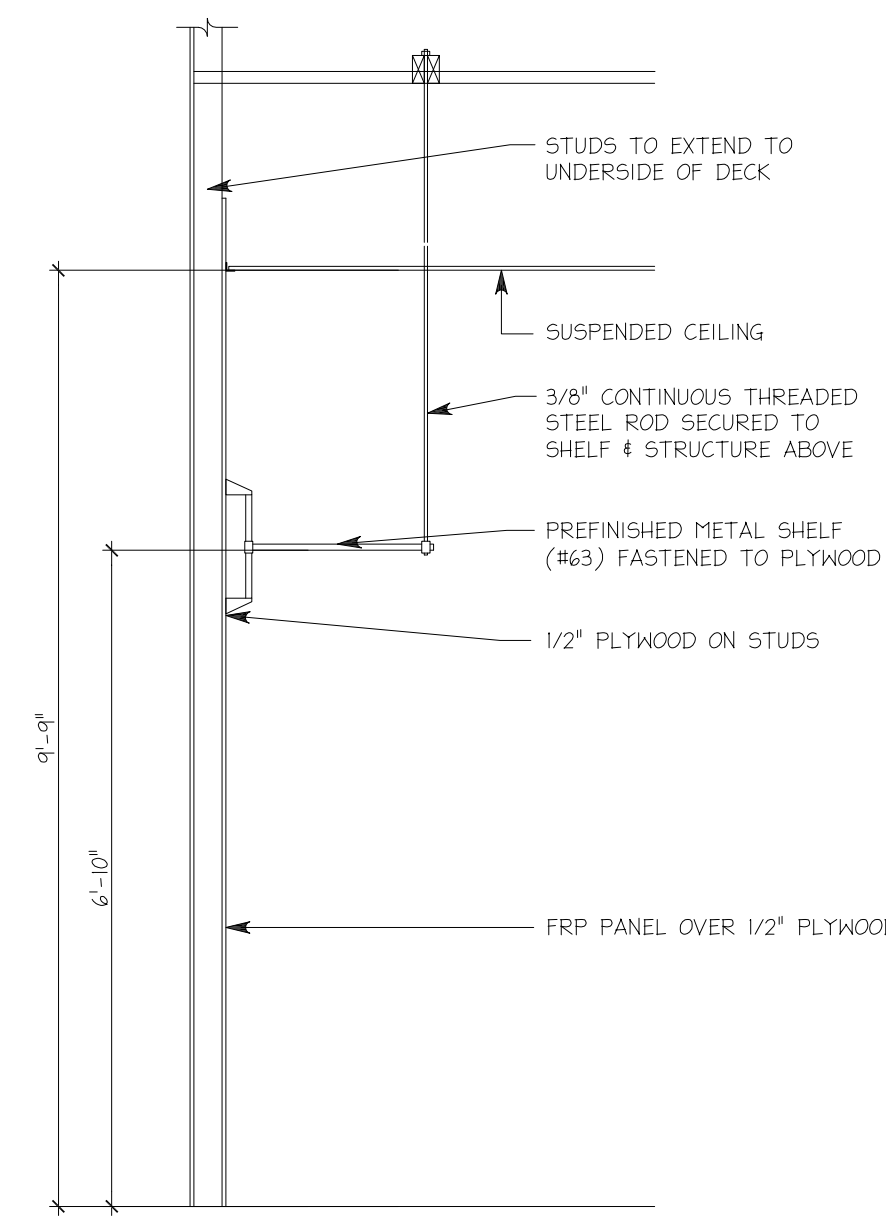


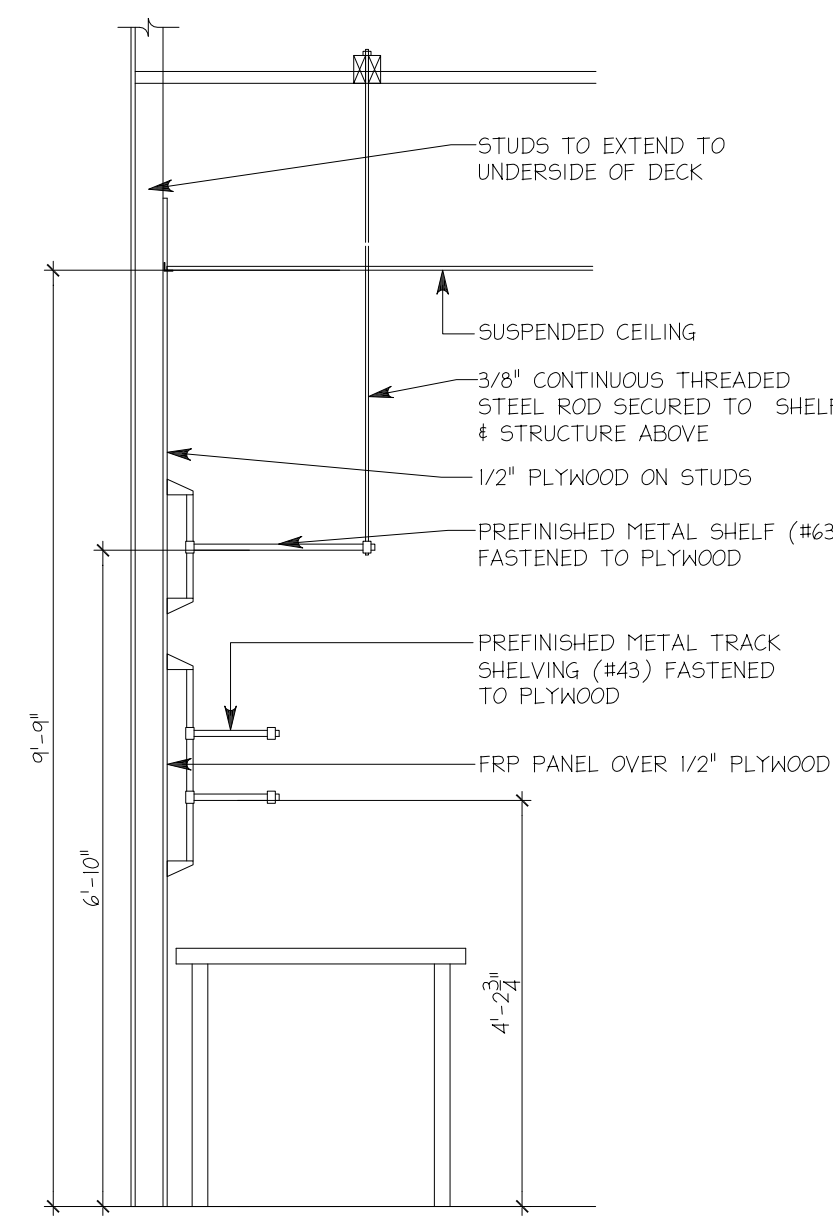
MONITOR SUPPORT 12
1/2' - 1'-0" A8



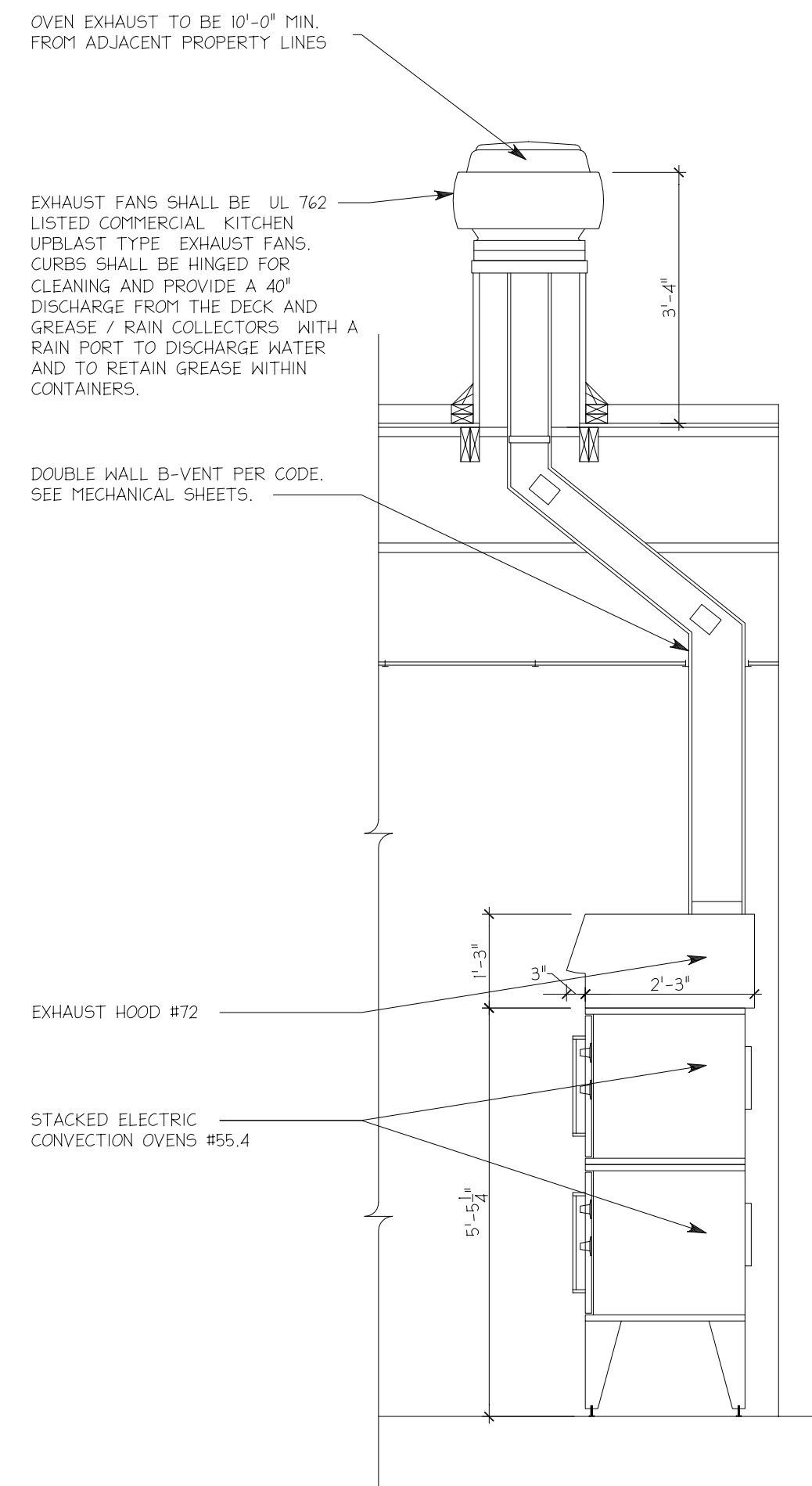
SUSPENDED SHELF #64 11
1/2' - 1'-0" A8



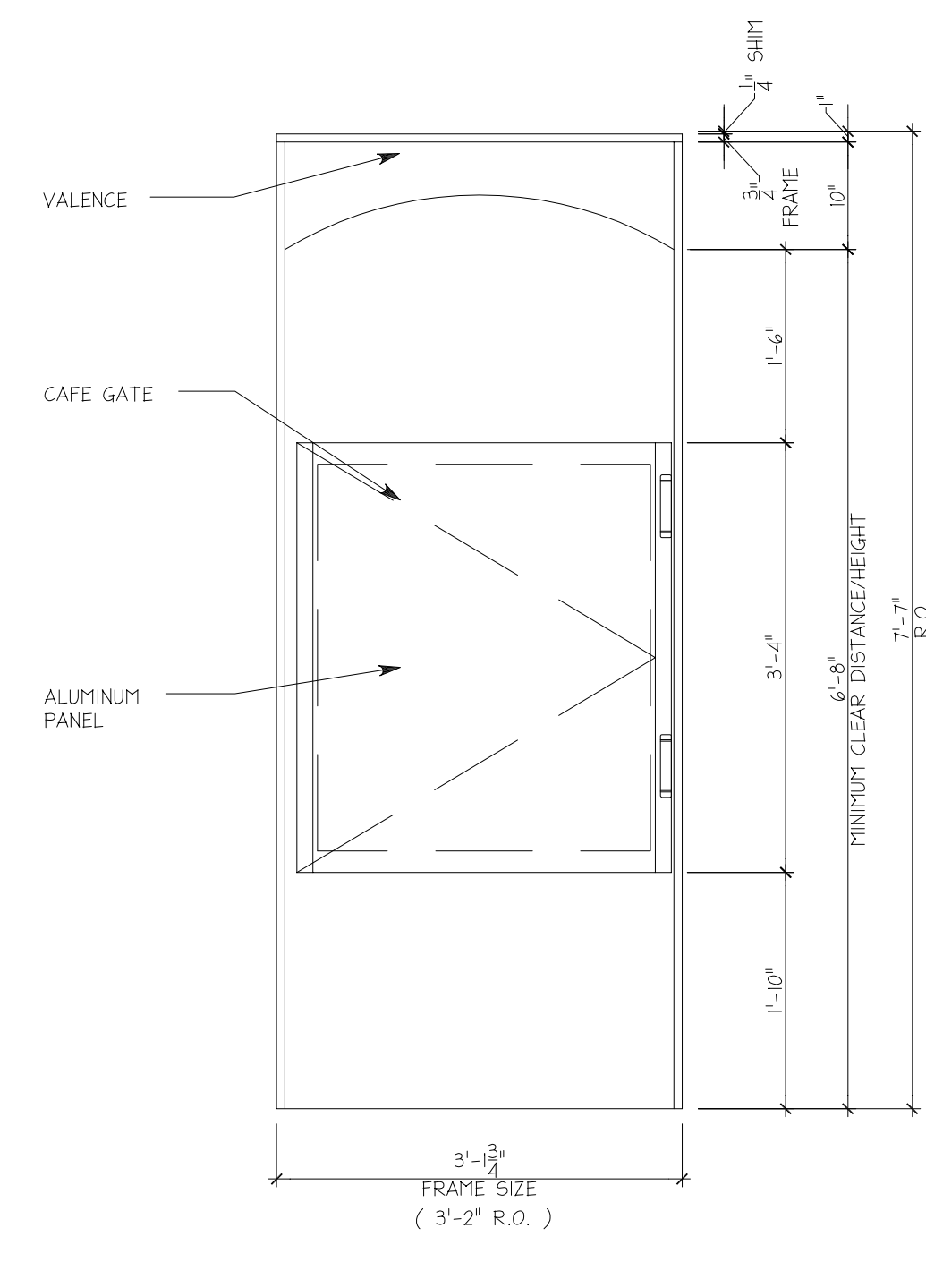
SUSPENDED SHELF #63 10
1/2' - 1'-0" A8



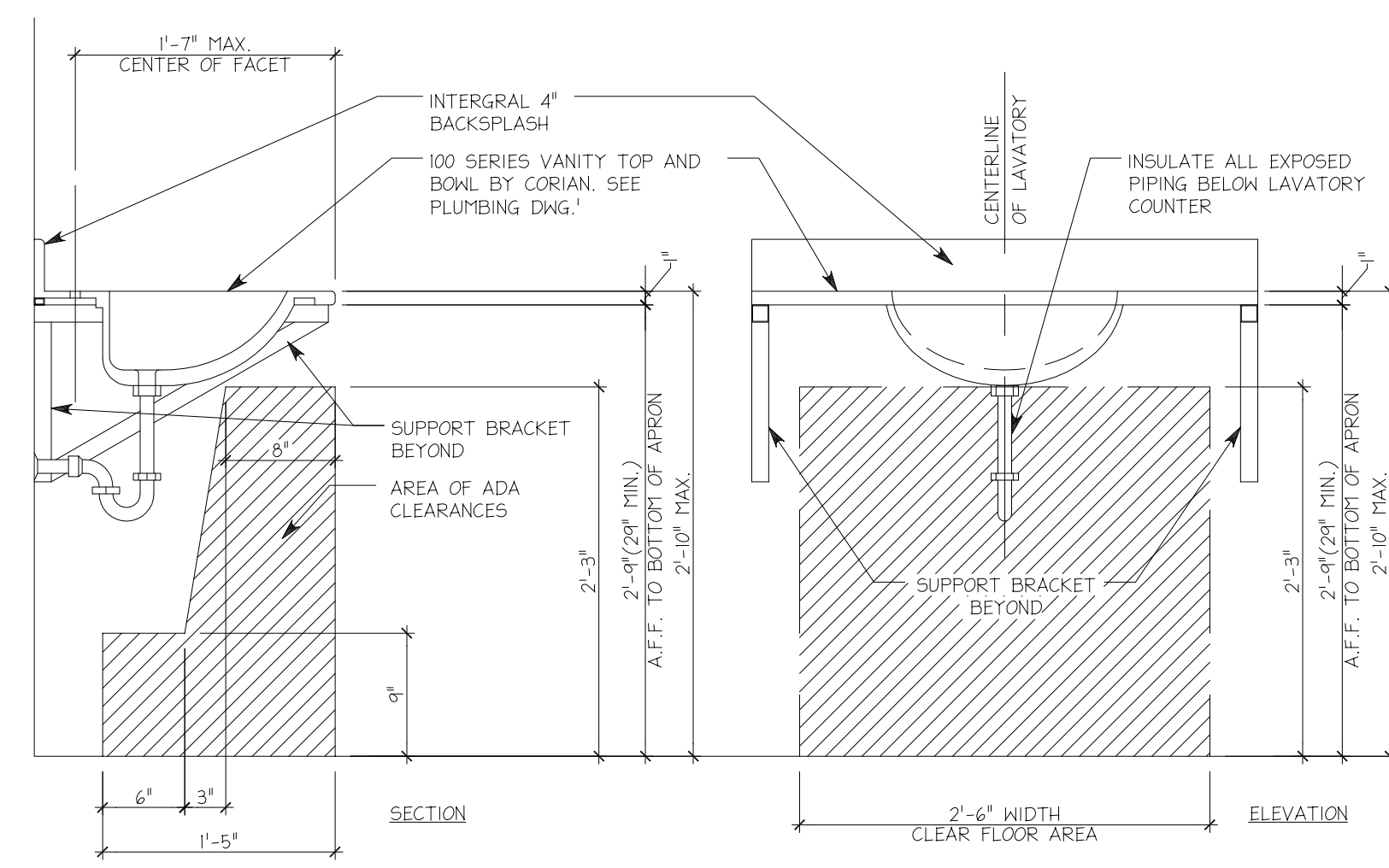
SUSPENDED SHELF #43 & #63 9
1/2' - 1'-0" A8



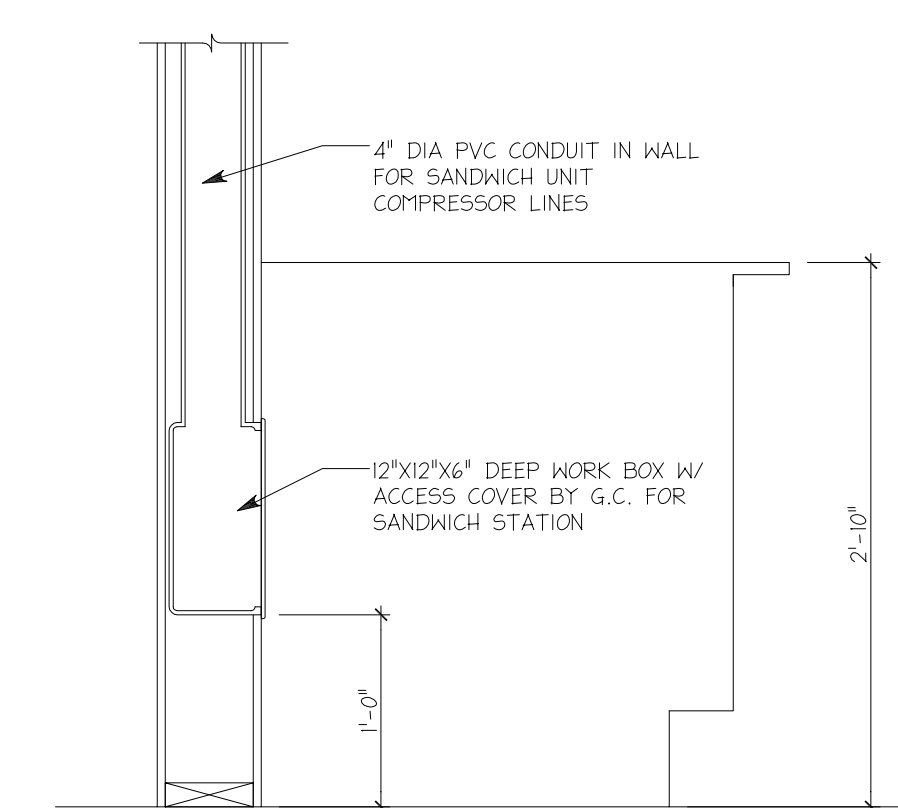
SECTION DETAIL THRU OVEN HOOD 8
1/2' - 1'-0" A8



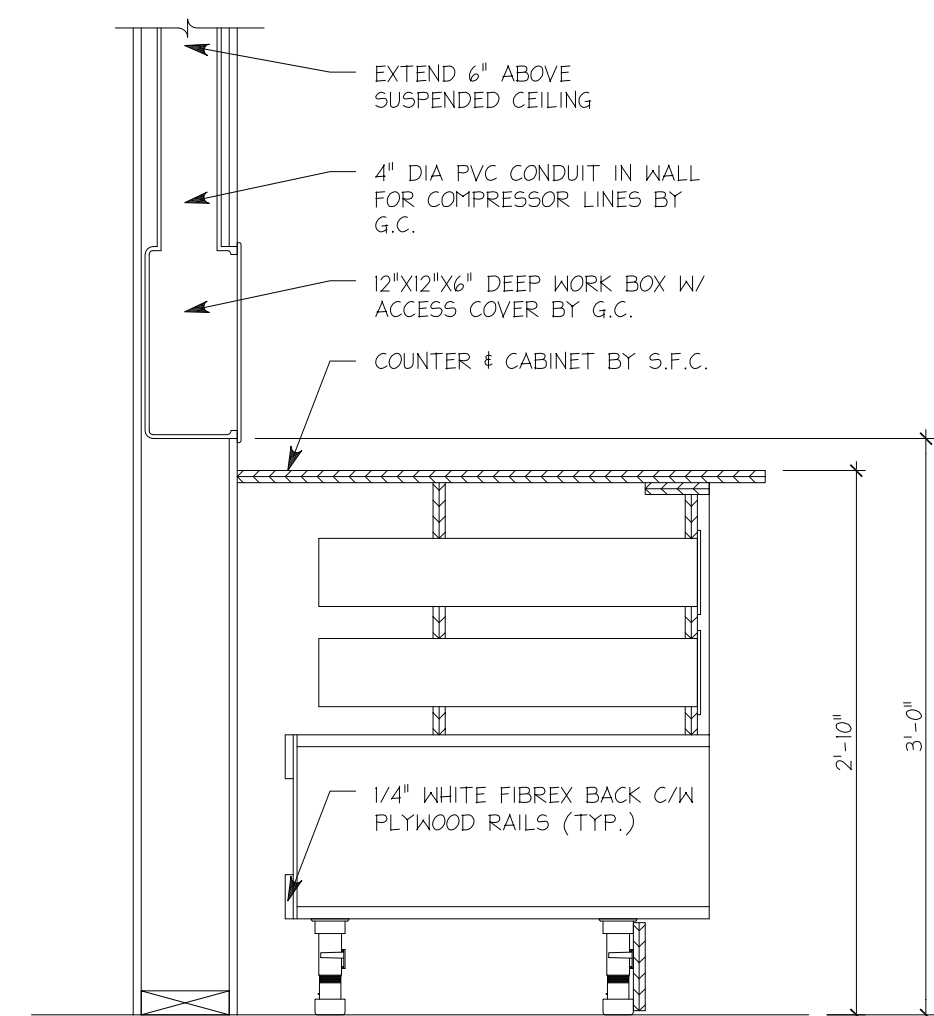
CAFE DOOR ELEVATION 7
3/4' - 1'-0" A8



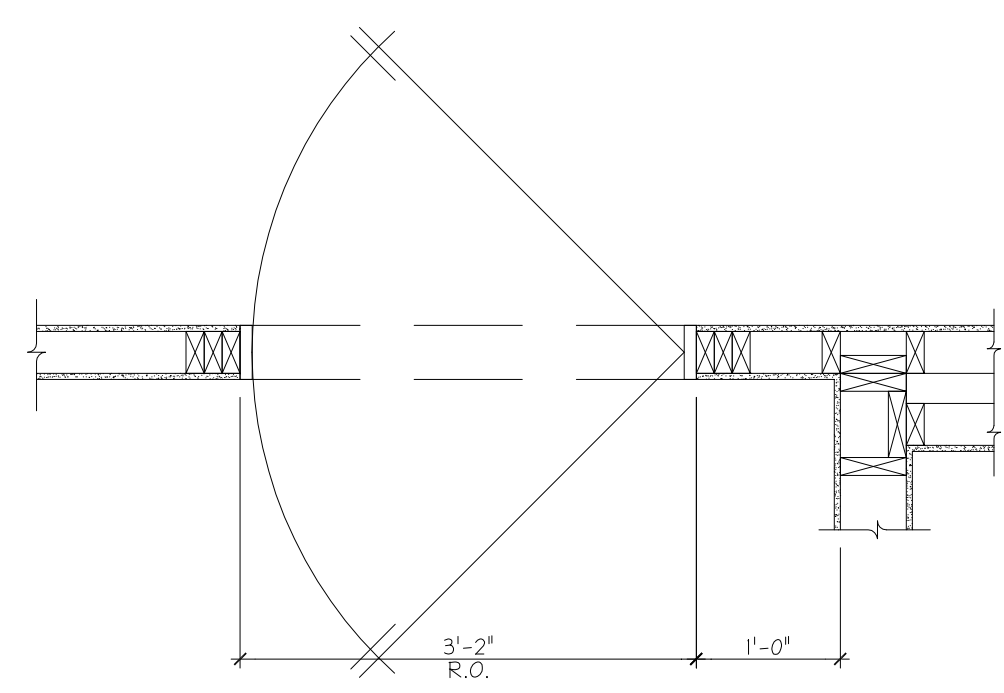
LAVATORY DETAIL & CLEARANCES 6
1' - 1'-0" A8



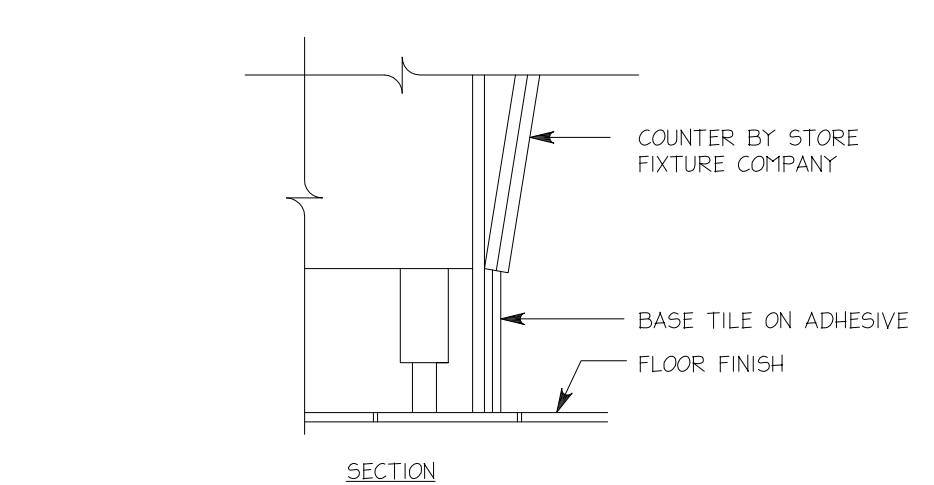
CONDENSER CHASE @ SANDWICH STATION 5
1' - 1'-0" A8



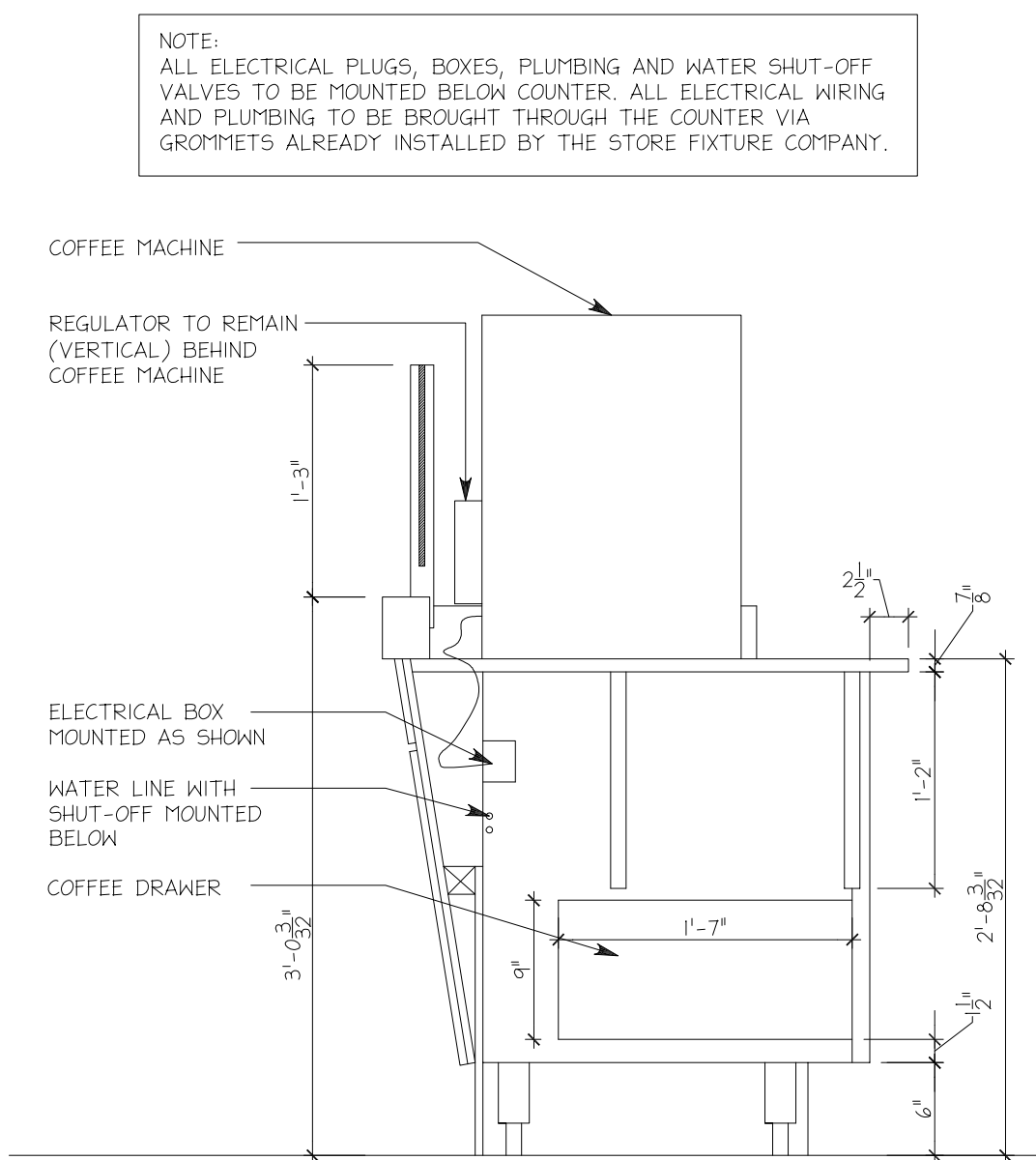
2 x 2 CUP DISPENSER @ ICE CAP 4
1' - 1'-0" A8



CAFE DOOR DETAIL 3
3/4' - 1'-0" A8



TILE BASE AT FRONT OF FRONT COUNTER AND DINING ROOM STORE FIXTURES 2
1'-1/2' - 1'-0" A8



SECTION THRU FRONT COUNTER @ COFFEE MACHINE 1
1' - 1'-0" A8

NOTE: ALL ELECTRICAL PLUGS, BOXES, PLUMBING AND WATER SHUT-OFF VALVES TO BE MOUNTED BELOW COUNTER. ALL ELECTRICAL WIRING AND PLUMBING TO BE BROUGHT THROUGH THE COUNTER VIA GROMMETS ALREADY INSTALLED BY THE STORE FIXTURE COMPANY.

REVISIONS:
DATE ISSUED: 07-02-2008
INDICATES NO RETURN TO THE SHEET

Atlanta
Boston
Chicago
Dallas
Los Angeles
Miami
Sacramento
wipartners.com
7007 Discovery Blvd
Dublin, OH 43017
614.834.4000
614.834.7777 F

Tim Hortons
1408 CONGRESS STREET
PORTLAND, ME 04102

DETAILS

SAI # 0818
DRAWING NUMBER: A8
DRAWN BY: DDS CHECKED BY: JPY