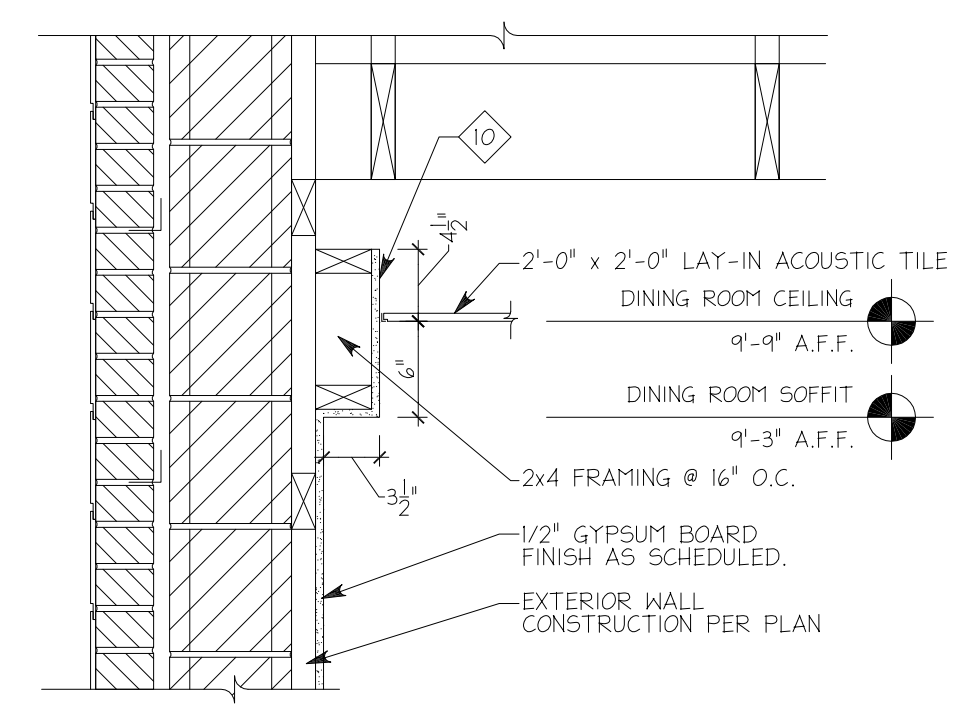
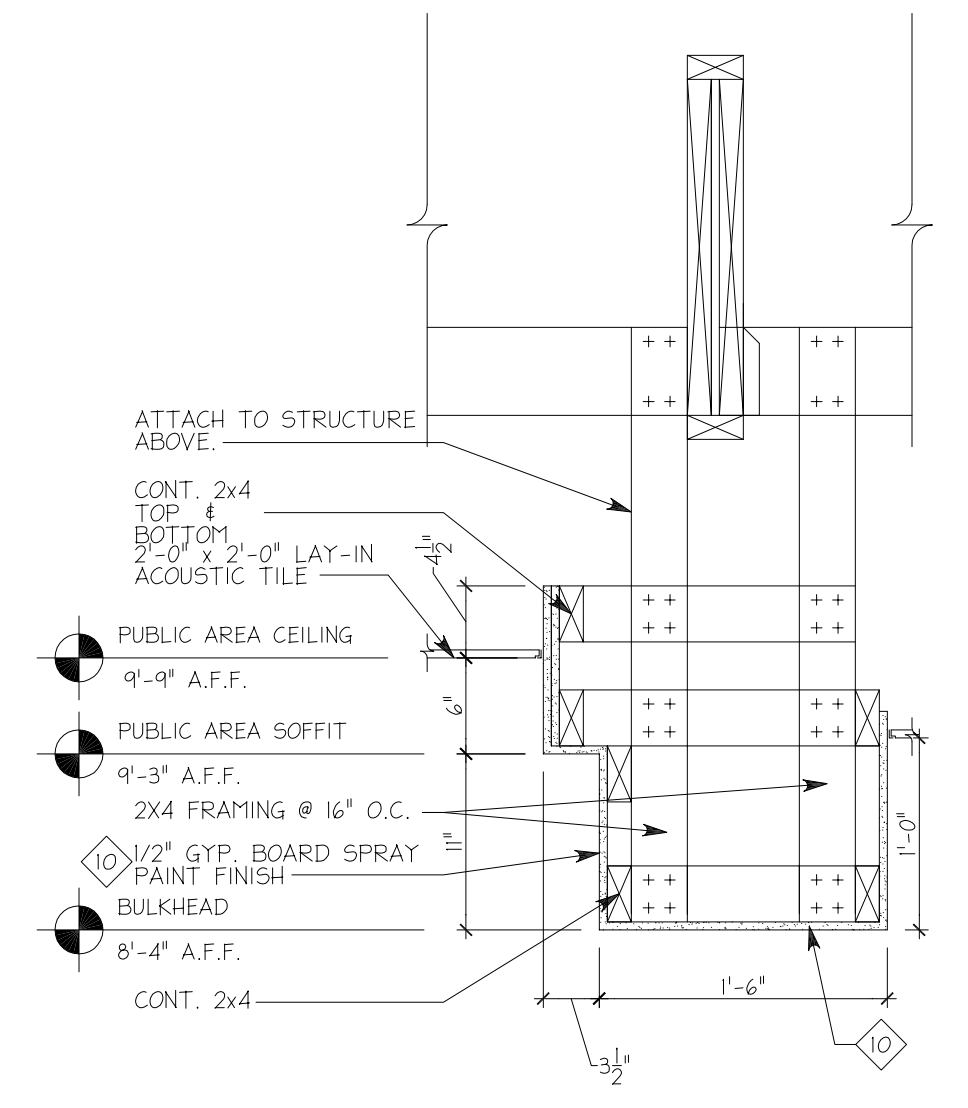


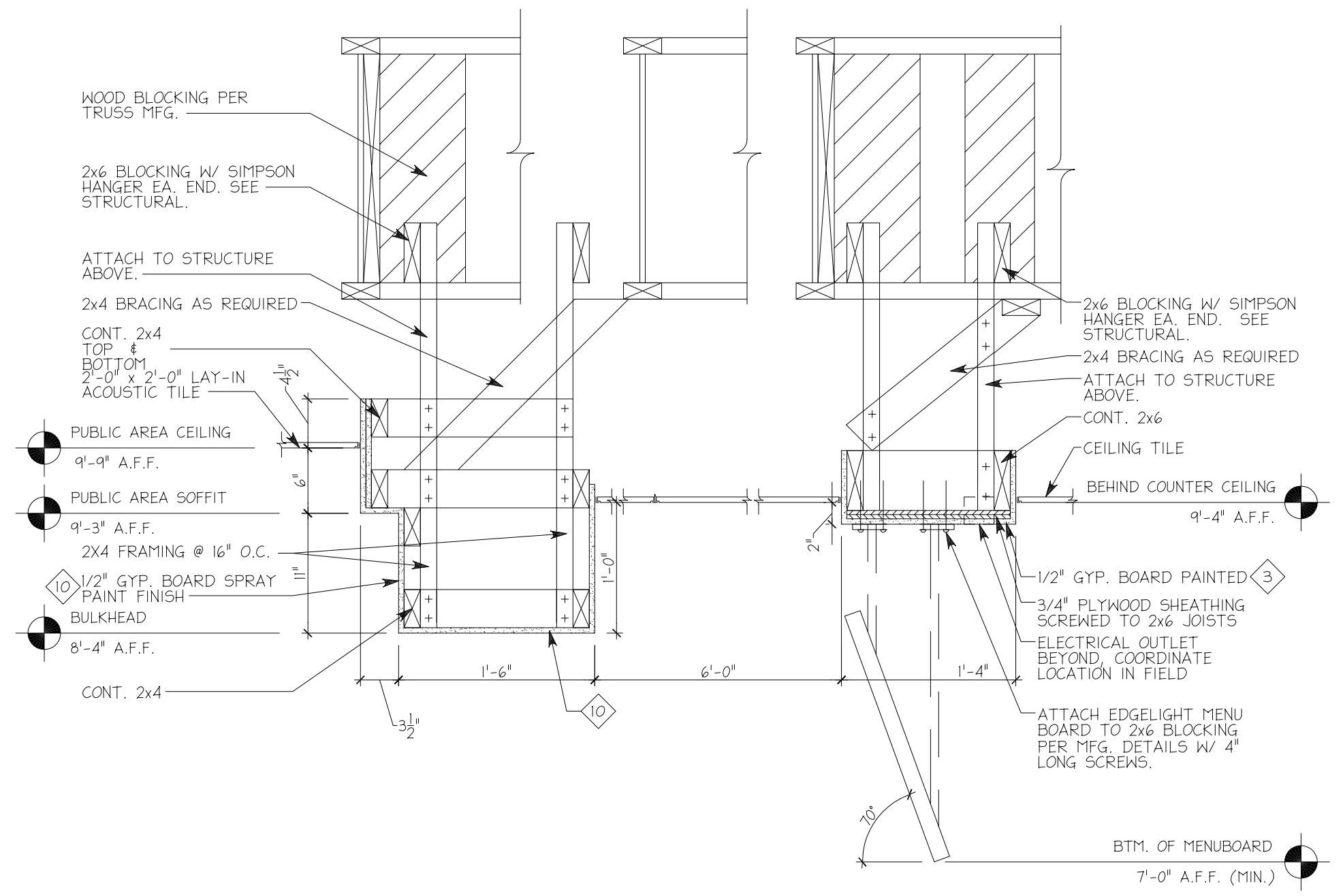
BULKHEAD DETAIL AT VESTIBULE (5)
SCALE T = 1'-0"
A4



BULKHEAD DETAIL AT PERIMETER WALL (4)
SCALE T = 1'-0"
A4



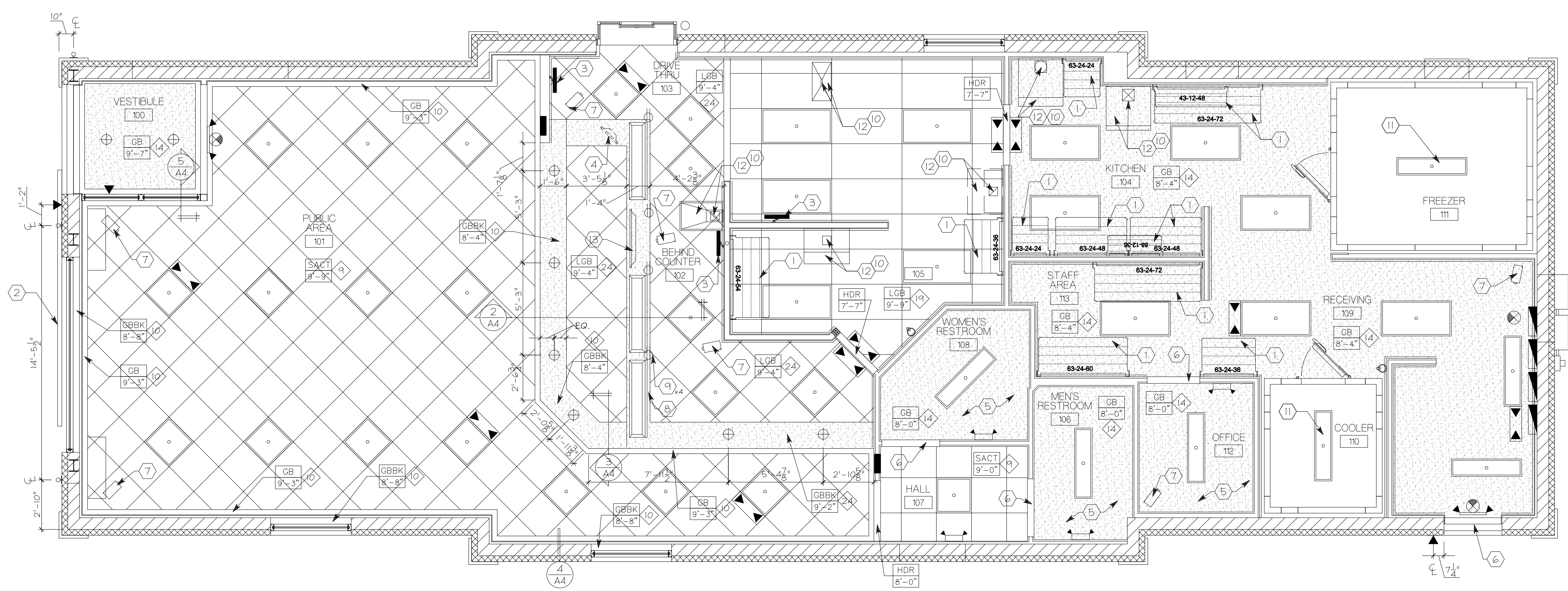
BULKHEAD DETAIL AT COUNTER (3)
SCALE T = 1'-0"
A4



BULKHEAD DETAIL AT COUNTER (2)
SCALE T = 1'-0"
A4

GENERAL NOTES:
1. GENERAL CONTRACTOR TO VERIFY BLOCKING DETAIL W/ JOIST MFG. PRIOR TO HANGING ITEMS FROM ROOF TRUSS SYSTEM.
2. ALL DIMENSIONS ON THIS SHEET ARE FROM FINISH TO FINISH, NOT FRAMING TO FRAMING.

- CEILING PLAN NOTES
- SUSPENDED OVERHEAD SHELVING PROVIDED BY OWNER. INSTALLED BY G.C. SUPPORTED AT FRONT CORNERS FROM STRUCTURE ABOVE PER TRUSS MFG APPROVED DETAILS. SEE SHEET A8.
 - ILLUMINATED BUILDING SIGN, SEE EXTERIOR ELEVATIONS.
 - WALL MOUNTED VIDEO MONITOR @ 78" A.F.F. G.C. TO PROVIDE 4 INSTALL BLOCKING AS REQUIRED.
 - LOCATION FOR SECURITY SYSTEM MONITOR. MONITOR TO BE LCD W/ ATTACHED MOUNTING ARM. G.C. TO PROVIDE 4 INSTALL BLOCKING AS REQUIRED.
 - CEILING IN PUBLIC RESTROOMS AND OFFICE TO BE PAINTED GYPSUM BOARD CEILING INSTALLED OVER 2"x6" CEILING JOISTS AT 16" O.C.
 - HEADER FOR DOOR.
 - SECURITY CAMERA.
 - BULKHEAD FOR MENU BOARDS.
 - ELECTRICAL CONTRACTOR TO PROVIDE AND INSTALL ELECTRICAL OUTLETS IN CEILING / BULKHEAD AS REQUIRED FOR MENU BOARDS. OUTLETS SHALL BE LOCATED BEHIND MENU BOARD AND SHALL BE PLACED ADJACENT TO MENU BOARD BRACKET WHERE POWER CONNECTION IS LOCATED. COORDINATE EXACT LOCATION WITH TDL REPRESENTATIVE.
 - EXTEND EXHAUST DUCT UP FROM HOOD.
 - LIGHT BY COOLER / FREEZER MANUFACTURER. ALL CONNECTIONS BY ELECTRICAL CONTRACTOR.
 - EXHAUST HOOD - SEE EQUIPMENT PLAN
 - MENU SCREEN TO BE ATTACHED AT BULKHEAD
- CEILING PLAN LEGEND
- 1' x 4' FLUORESCENT FIXTURE
 - 2' x 4' FLUORESCENT FIXTURE
 - 2' x 2' FLUORESCENT FIXTURE
 - CEILING MOUNTED OUTLET
 - LIGHT FIXTURE
 - MENU BOARD
 - MONITOR
 - RECESSED POT LIGHT
 - SUPPLY AIR DIFFUSER
 - RETURN AIR GRILL
 - SPEAKER IN CEILING
 - Denotes ceiling ht and material
 - SACT SUSPENDED ACOUSTIC CEILING TILE
 - GB GYPSUM BOARD
 - LGB LAY-IN GYPSUM BOARD
 - GBBK GYPSUM BOARD BULKHEAD
 - HDR HEADER
 - PAINT COLOR. SEE FINISH SCHEDULE.
 - EXTERIOR WALL PAK - SEE SHEET E1
 - EXHAUST GRILLE
 - SECURITY CAMERA
 - SECURITY MONITOR
 - REMOTE MOUNTED EMERGENCY LIGHTING FIXTURE
 - CEILING MOUNTED RECESSED EMERGENCY LIGHTING FIXTURE-BATTERY TYPE
 - CEILING MOUNTED RECESSED EMERGENCY LIGHTING FIXTURE-BATTERY TYPE
 - WALL MOUNTED EMERGENCY EXIT SIGN
 - CEILING MOUNTED EMERGENCY EXIT SIGN
 - INDICATES FINISH. SEE FINISHING SCHEDULE
 - EXTERIOR WALL PAK - SEE SHEET E1



REFLECTED CEILING PLAN (1)
SCALE 1/4" = 1'-0"
A4



REVISIONS:

DATE ISSUED: 07-02-2008

INDICATES NO REVISION TO THIS SHEET

Atlanta
Boston
Chicago
Dallas
Los Angeles
Miami
Sacramento

wd partners

7007 Discovery Blvd
Dublin, OH 43017
614.834.7777
614.834.7777 F
wdpartners.com

Tim Hortons

1408 CONGRESS STREET
PORTLAND, ME 04102

REFLECTED CEILING PLAN

DRAWN BY: DDS CHECKED BY: JPY

SAI # 0818
DRAWING NUMBER: A4