

**AHARONIAN & ASSOCIATES INC.**  
ARCHITECTS  
MAINE LICENSED ARCHITECT  
310 George Washington Highway  
Suite 100  
Smithfield, Rhode Island  
0 2 9 1 7  
T 401-232-5010  
F 401-232-5080  
WWW.ARCH-ENG.COM

**DISCLAIMER**  
OWNERSHIP AND USE OF DOCUMENTS, DRAWINGS AND SPECIFICATIONS ARE INSTRUMENTS OF PROFESSIONAL SERVICE AND SHALL REMAIN THE PROPERTY OF THE ARCHITECT. THESE DOCUMENTS ARE NOT TO BE USED, IN WHOLE OR IN PART, FOR ANY OTHER PROJECTS OR PURPOSES OR BY ANY OTHER PARTIES THAN THOSE PROPERLY AUTHORIZED BY CONTRACT WITHOUT THE EXPRESS WRITTEN AUTHORIZATION OF THE ARCHITECT.

**PLUMBING FIXTURE SPECIFICATIONS**

- (P-1) FLOOR SINK**  
NOT USED
- (P-2) FLOOR DRAIN**  
NOT USED
- (P-3) BOOSTER PUMP**  
MCANN'S, 16-21TS-DD WATER BOOSTER W/ INTEGRAL PRESSURE GAUGE & BYPASS, VERIFY PUMP SPEC WITH NATIONAL ACCOUNTS, GC TO TEST WATER PRESSURE & INSTALL BEFORE WATER FILTER IF PRESSURE < 60 PSI.
- (P-4) WATER FILTRATION SYSTEM**  
A WFS IS REGD IN ALL STORES. IF NONE EXISTS, PROVIDE WFS BASED ON WATER TEST RESULTS UNO. SYSTEM MANUFACTURER TO BE SELECTED BY FRANCHISEE.
- (P-5) HAND SINK**  
STAINLESS STEEL HAND SINK SUPPLIED BY MILLWOK SUPPLIER W/ DROP-IN INK BOWL & BULLET FEET. PROVIDE ENCORE KN4-1006 4" DECK FAUCET W/ 3/8" SPOUT, 3/8" CHROME SUPPLIES W/ ANGLE STOPS, ADJUSTABLE 1" BRASS TRAP TO SUIT DRAIN, TUBING DRAIN TO WALL, 1/4" IN INLET, 1/2" OUTLET, ESCUTCHEON - CHROME FINISH.
- (P-6) MOP SINK**  
FIAT PRODUCTS DEPARTMENT, CRANE CORPORATION, MOLDED-STONE MOP SERVICE BASIN NO. MSB-2424, COLOR NO. 214 WHITE, COMPLETE WITH DRAIN BODY, STRAINER AND LINT BASKET. FITTINGS SHALL BE AMERICAN STANDARD NO. B544.12, PROVIDE CHEMICAL DISPENSING SYSTEM BY FROCTOR & GAMBLE COMPANY AT MOP SINK. SEE 4/P.1
- (P-7) WATER HEATER**  
EXISTING TO REMAIN.
- (P-8) 3 BAY SINK**  
THREE COMPARTMENT SINK SUPPLIED BY MILLWOK SUPPLIER, BOWLS 18"x18"x14"D, (2) 18" DRAIN BOARDS, (3) TWIST HANDLE LEVER DRAINS, T45 FRERINCE WALL MOUNT UNIT (INCLUDES BRACKET) WITH ADD-A-FAUCET, 12" SPOUT TO SHIP WITH 3 BAY SINK. EACH COMPARTMENT TO HAVE KOHLER NO. 8201 BRASS WASTE OUTLET, CHROME PLATED, SATIN FINISH, WITH A 3-1/2" DIAMETER STAINLESS STEEL, PERFORATED, FLUSH STRAINER PLATE, THREADED FOR CONNECTION TO A 2" DRAIN LINE.  
FITTINGS SHALL BE T45 NO. B-183 PRE-RINSE SPRAY WITH NO. B-107C SPRAY HEAD, NO. B-104 WALL BRACKET, NO. B-186 ADP ADD-A-FAUCET WITH 12" NOZZLE AND SPECIAL 4" CHROME NIPPLE, NO. B-231 SINK MIXING FAUCET FOR THREE COMPARTMENT SINK.  
DRAIN SHALL INCLUDE ROTARY WASTE VALVE SIMILAR TO T45 NO. B940 WITH EXTENDED HANDLE AND SNAP-IN STAINLESS STEEL STRAINERS. FITS DRAIN OPENING OF 3-1/2" TO 4-1/2". SEE 3/P.1
- (P-9) LAVATORY (ACCESSIBLE)**  
AMERICAN STANDARD LUCERNE, 20 1/2" BY 16 1/4" NO 0355.12 W/ CONCEALED ARMS NO 100-27481 BY J. R. SMITH CO. FAUCET: ZURN, MODEL Z1440, GRID DRAIN, 3/8" CHROME SUPPLIES WITH ANGLE STOPS, ADJUSTABLE 1" BRASS TRAP TO SUIT GRID DRAIN, TUBING DRAIN TO WALL, 1-1/4" INLET, 1-1/2" OUTLET, ESCUTCHEON - CHROME FINISH. INSTALL PER ADA REQUIREMENTS.
- (P-10) TOILET (ACCESSIBLE)**  
AMERICAN STANDARD CADET 3 FLOWISE ELONGATED PRESSURE-ASSISTED MODEL NO 2462.100. PROVIDE ELONGATED EVERGLEAM SOLID PLASTIC OPEN FRONT SEAT NO B284.016 IN WHITE, WITHOUT COVER AND SUPPLY.
- (P-11) GREASE REMOVAL SYSTEM**  
THERMACO, BIG DIFFER, NO. W-250-15 POINT SOURCE AUTOMATIC GREASE REMOVAL SYSTEM WITH 25 GPM MAXIMUM INLET FLOW RATE; FULLY AUTOMATIC SELF-CLEANING CYCLE, 304 STAINLESS STEEL, BRIGHT FINISH EXTERIOR, ROTATIONALLY MOLDED POLYETHYLENE INTERIOR; 50+ POUNDS GREASE RETENTION CAPACITY - SEE 3/P.1
- (P-12) HAND SINK**  
18" W x 14 3/4" D STAINLESS STEEL HAND SINK SUPPLIED BY MILLWOK SUPPLIER, SPLASHMOUNT GOOSENECK FAUCET WITH WRIST HANDLES, 3/8" CHROME SUPPLIES W/ ANGLE STOPS, ADJUSTABLE 1" BRASS TRAP TO SUIT DRAIN, TUBING DRAIN TO WALL, 1/4" IN INLET, 1/2" OUTLET, ESCUTCHEON - CHROME FINISH

**PLUMBING SPECIFICATIONS**

- INTERIOR DOMESTIC WATER PIPING**
- PIPE, COPPER TUBE, ASTM B88, TYPE K OR L, DRAIN, FOR PIPE 6 INCHES AND LARGER, STAINLESS STEEL ASTM A312, SCHEDULE 10 MAY BE USED.
  - FITTINGS FOR COPPER TUBE:
  - WROUGHT COPPER OR BRONZE CASTINGS CONFORMING TO ANSI B16.10 AND B16.2
  - UNIONS SHALL BE BRONZE, FED SPEC W4-U-516, SOLDER OR BRAZE JOINTS.
  - ADAPTERS: PROVIDE ADAPTERS FOR JOINING SCREWED PIPE TO COPPER TUBING.
  - SOLDER: ASTM B92 COMPOSITION S85 HA OR HB, PROVIDE NONCORROSIVE FLUX.
- TRAPS**
- PROVIDE ON ALL SANITARY BRANCH WASTE CONNECTIONS FROM FIXTURES OR EQUIPMENT NOT PROVIDED WITH TRAPS.
  - EXPOSED BRASS SHALL BE POLISHED BRASS CHROMIUM PLATED WITH NIPPLE AND SET SCREW ESCUTCHEON.
  - CONCEALED TRAPS MAY BE ROUGHCAST BRASS OR SAME MATERIAL AS PIPE CONNECTED TO IT.
  - SLIP JOINTS NOT PERMITTED ON SEWER SIDE OF TRAP.
  - TRAPS SHALL CORRESPOND TO FITTINGS ON CAST IRON SOIL PIPE OR STEEL PIPE RESPECTIVELY, AND SIZE SHALL BE AS REQUIRED BY CONNECTED SERVICE OR FIXTURE.

**PLUMBING NOTES**

- ALL PIPING SHOWN DIAGRAMMATICALLY. EXACT LOCATIONS SHALL BE DETERMINED IN FIELD AFTER CAREFUL COORDINATION WITH OTHER TRADES. ROUTING SHALL BE SUBJECT TO THE ARCHITECT'S APPROVAL. ANY WORK PERFORMED BY THIS CONTRACTOR THAT INTERFERES WITH WORK BY OTHERS AND WAS NOT FIRST COORDINATED SHALL BE REMOVED AND RELOCATED AT THE PLUMBING CONTRACTOR'S EXPENSE.
- REFER TO EQUIPMENT SCHEDULE AND EQUIPMENT SPECIFICATIONS FOR EXACT LOCATIONS & REQUIREMENTS OF PLUMBING CONNECTIONS. THE CONTRACTOR SHALL BE RESPONSIBLE FOR VERIFICATION OF ALL UTILITIES AND THE PLACEMENT OF ALL PLUMBING EQUIPMENT PRIOR TO THE START OF HIS WORK. NO EXTRAS WILL BE ALLOWED DUE TO EQUIPMENT LOCATION CHANGES FROM THAT SHOWN ON THE DRAWINGS.
- PLUMBING CONTRACTOR SHALL SECURE AND PAY FOR ALL REQUIRED PERMITS AND ARRANGE ALL REQUIRED INSPECTIONS. ALL UTILITY WORK, INCLUDING TEMPORARY SHUT DOWN OF SERVICES SHALL BE COORDINATED WITH THE APPROPRIATE AUTHORITY HAVING JURISDICTION.
- IT IS THE INTENT THAT THE WORK SHALL BE COMPLETE IN EVERY ASPECT AND THAT ANY MATERIAL OR WORK NOT SPECIFICALLY MENTIONED OR SHOWN ON THE DRAWINGS BUT NECESSARY TO FULLY COMPLETE THE WORK SHALL BE PROVIDED.
- ALL WORK SHALL COMPLY AND BE PERFORMED IN ACCORDANCE WITH ALL APPLICABLE LOCAL AND STATE CODES AND AUTHORITIES HAVING JURISDICTION AND DUNKIN' DONUTS MINIMUM REQUIREMENTS. IN ALL CASES, THE MOST STRINGENT SHALL APPLY.
- PROVIDE ALL NECESSARY VALVES, TRAPS AND ANY CONTROL DEVICES REQUIRED FOR PROPER COMPLETION OF UTILITY PIPING.
- ALL WASTE, VENT PIPING SHALL BE STD WEIGHT HUB & SPOUT CAST IRON PIPE W/ NEOPRENE GASKET FITTINGS. PVC PIPING MAY BE USED WHENEVER PERMITTED BY LOCAL AUTHORITY & OWNER. ALL PIPING SHALL BE PROPERLY PITCHED IN THE DIRECTION OF FLOW.
- ALL PIPING AND EQUIPMENT SHALL BE PROPERLY SUPPORTED FROM THE STRUCTURE.
- PROVIDE SHUT-OFF VALVES AT ALL FIXTURES AND ON HOT AND COLD WATER PIPING AT WATER HEATER.
- PROVIDE BACKFLOW PREVENTERS IN WATER LINES AS REQUIRED BY LOCAL REGULATORY AUTHORITIES.
- DOMESTIC WATER PIPING SHALL BE INSULATED WITH A MINIMUM OF 1/2" FIBERGLASS INSULATION HAVING A VAPOR BARRIER JACKET WITH SEALED JOINTS.
- ALL WATER PIPING SHALL BE CONCEALED WITHIN A WALL OR PIPE CHASE EXCEPT FOR THOSE CHROME PLATED PORTIONS THAT ARE REQUIRED TO MAKE FINAL CONNECTIONS TO PLUMBING FIXTURES.
- ALL WATER SUPPLY PIPING TO FIXTURES OR GROUPS OF FIXTURES MUST INCLUDE WATER HAMMER ARRESTORS, SIZED IN ACCORDANCE WITH P.D.I. STANDARDS. AIR CHAMBERS WILL BE ALLOWED AS AN ACCEPTABLE ALTERNATE.
- PROVIDE CHROME PLATED ESCUTCHEONS WHERE PIPES PENETRATE FLOORS, WALLS OR CEILINGS.
- ALL CONDENSATE DRAIN LINES FROM EQUIPMENT TO DRAIN LOCATIONS SHALL BE PVC.
- ALL EQUIPMENT WILL BE FURNISHED WITH TRIM, FAUCETS, ESCUTCHEONS, ETC. PLUMBING CONTRACTOR SHALL PROVIDE ALL ROUGH-IN TRAPS AND MAKE ALL FINAL CONNECTIONS. SEE EQUIPMENT SCHEDULE.
- PLUMBING CONTRACTOR SHALL PROVIDE ALL PIPE HANGERS, AND SUPPORTS IN ACCORDANCE WITH THE LOCAL APPLICABLE CODES.
- PLUMBING CONTRACTOR TO PROVIDE TRAP PRIMERS OR TRAP SEAL ON ALL FLOOR DRAINS AS PER APPLICABLE CODE.
- PLUMBING CONTRACTOR SHALL REPAIR ALL CONSTRUCTION AND FINISHES DAMAGED DURING INSTALLATION OF PLUMBING SUPPLY/ WASTE LINES AND ALL PLUMBING FIXTURES TO LIKE NEW CONDITION.
- ENTIRE INSTALLATION SHALL BE GUARANTEED FREE OF DEFECTS AND CONTRACTOR SHALL REPAIR AND/OR REPLACE ANY DEFECTIVE MATERIALS OR EQUIPMENT AT NO COST TO THE OWNER FOR A PERIOD OF ONE YEAR FROM THE DATE OF ACCEPTANCE BY ARCHITECT.
- ALL WORK SHALL BE SUBJECT TO THE APPROVAL OF THE ARCHITECT / OWNER.
- PLUMBING CONTRACTOR SHALL PROVIDE AERATORS ON ALL HAND SINKS AND LAVATORIES THROUGHOUT THE FACILITY.

**KEYED PLAN NOTES**

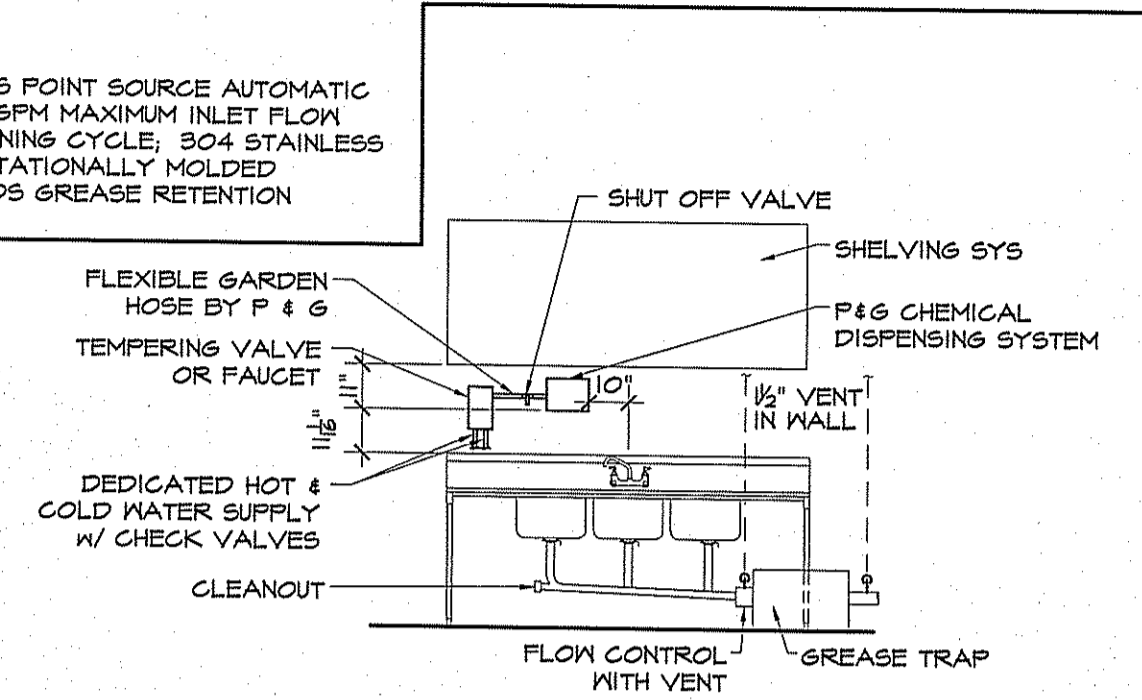
- CONNECT TO EXIST CH/WH & WASTE/ VENT PIPING AS REGD.
- ALL FRONT LINE MILLWOK & EQUIP SHALL REUSE EXIST FLOOR DRAINS IF POSSIBLE - TYP.
- CONNECT ESPRESSO MACHINE DRAIN TO XIFD.
- CONNECT COFFEE STATION DRAIN TROUGH TO XIFD.
- FCM DROP IN WALL - RUN THRU KNEEWALL TO FRONT LINE MILLWOK CHASE.
- PROVIDE CHEM SYS - SEE 6/P.1.
- EXTEND TO EXIST CH/WH & WASTE/ VENT PIPING AS REGD.
- CONNECT COFFEE STATION DRAIN TROUGH TO XIFD. PROVIDE CONNECTION THRU WALL AS REGD.
- RUN WASTE LINE ALONG BACK WALL BLK COUNTERTOP & CONNECT THRU WALL TO XIFD.
- RUN WASTE LINE IN WALL & CONNECT TO EXISTING WASTE LINE AS REGD.

**LEGEND**

C	ELBOW DOWN	----	FCM PIPING	CM	COLD WATER
O	ELBOW UP	----	CM PIPING	FCM	FILTERED CM
Δ	BALL VALVE	----	HM PIPING	HM	HOT WATER
Δ	PRESSURE REDUCING VALVE	----	WASTE PIPING	XIFD	ETR INDIRECT FLOOR DRAIN
Δ	BACK FLOW PREVENTER MATTS #8A	----	VENT PIPING	XCO	ETR FLOOR CLEANOUT
Δ		----	GAS PIPING	XMCO	ETR WALL CLEANOUT

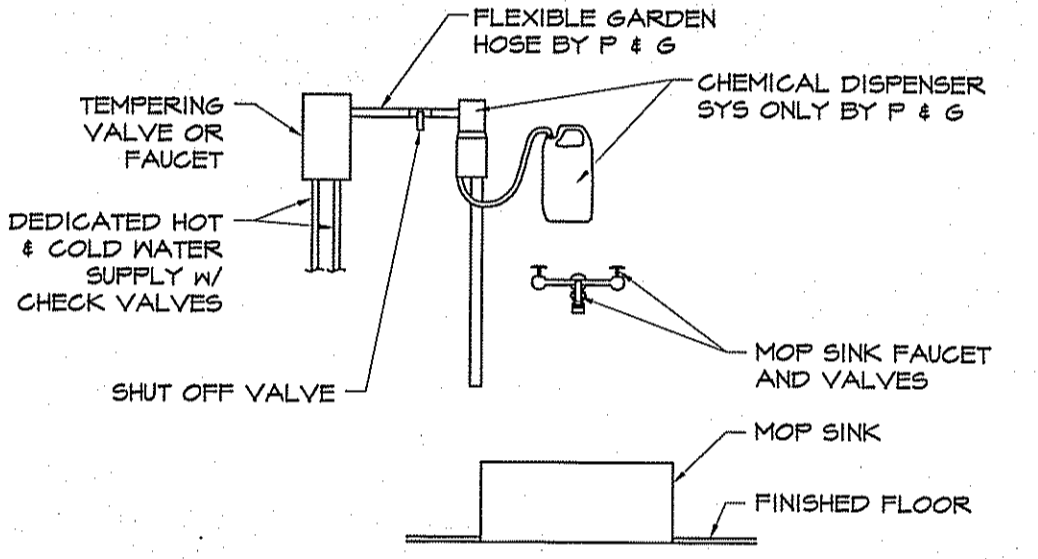
**KITCHEN EQUIPMENT PIPING SCHEDULE**

ITEM NO	FIXTURE	DESCRIPTION	WATER	WASTE	VENT	REMARKS	
			HN	CM	DIR	IND	
41	P-5	HAND SINK	1/2"	1/2"	2"	1 1/2"	CONNECT TO EXISTING SUPPLY & WASTE
96		ESPRESSO MACHINE	3/8"	3/8"	1"		PROVIDE PRESSURE REDUCING VALVE & WATER SHUT-OFF VALVE W/ 3/8" COMPRESSION FITTINGS
CNTR		COFFEE STATION	1/2"		1 1/2"		1 1/2" WASTE AT DRAIN THROUGH, 1/2" CM AT SPRAYER; SEE MLWK DWSS
101P-3		TWIN COFFEE BREWER	1/4"				20-40 PSI. MACHINE SUPPLIED WITH A 1/4" MALE FLARE FITTING
101FP-3		SINGLE COFFEE BREWER	1/4"				20-40 PSI. MACHINE SUPPLIED WITH A 1/4" MALE FLARE FITTING
10BA-1		HOT WINTER BEV MACHINE	1/4"				20-40 PSI. MACHINE SUPPLIED WITH A 1/4" MALE FLARE FITTING
200A		ICED COFFEE BREWER	1/2"	1/2"	1 1/2"	1 1/2"	20-40 PSI. MACHINE SUPPLIED WITH 1/4" OD MALE FLARE FITTING
345	P-12	HAND SINK	1/2"	1/2"	1 1/2"	1 1/2"	
412		ICE MACHINE	1/2"		3/4"		
538-2		MINI RACK OVEN	3/4"	3/4"	3/4"		
	P-6	MOP SINK	3/4"	3/4"	3"	2"	INSTALL IN SAME LOC - CONNECT TO EXIST SUPPLY & WASTE
	P-7	WATER HEATER	3/4"	3/4"			
424A	P-8	3-BAY SINK	3/4"	3/4"	3"	2"	
	P-9	LAVATORY					INSTALL IN SAME LOC - CONNECT TO EXIST SUPPLY & WASTE
	P-10	TOILET					
	P-11	GREASE TRAP			3"	2"	



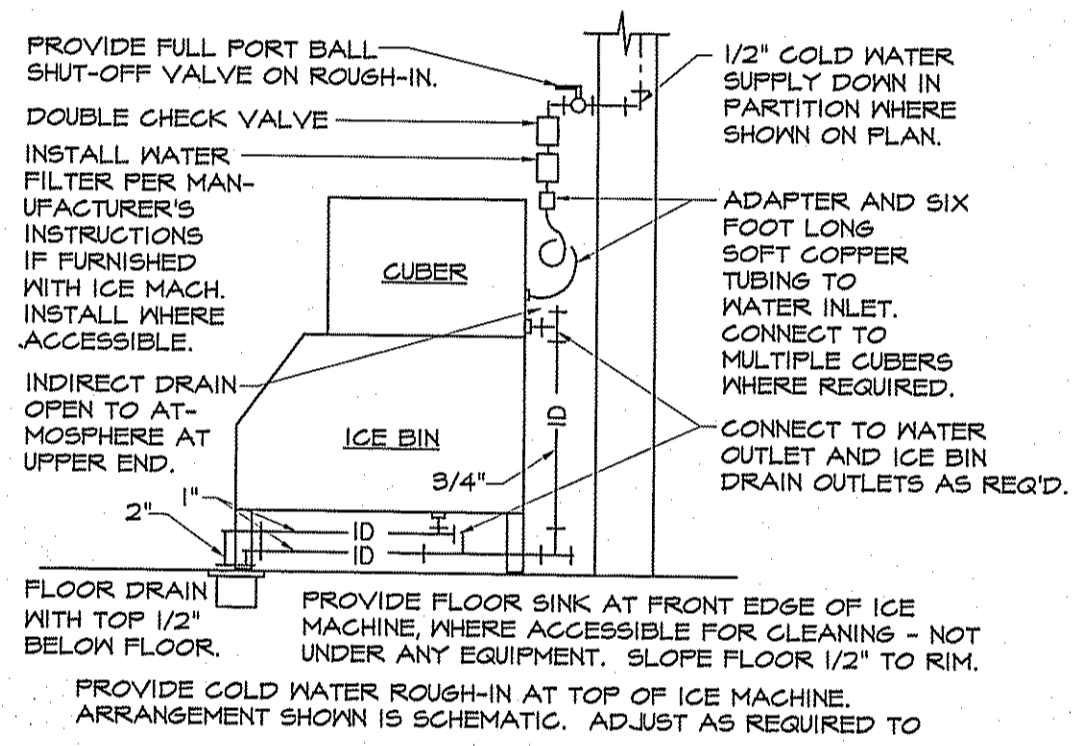
ARRANGEMENT SHOWN IS SCHEMATIC. ADJUST TO SUIT FIELD CONDITIONS OR MEET LOCAL CODE REQUIREMENTS. HUBLESS CAST IRON PIPE, FITTINGS AND CONNECTORS ALL AROUND SINK AND TRAP. CONNECT GREASE TRAP FROM CENTER COMPARTMENT. PROVIDE P-TRAP IF GREASE TRAP IS MORE THAN 4' FROM SINK.  
COORDINATE INDIVIDUAL BAY DRAINAGE, AIR GAP & DRAIN FLOOR WITH LOCAL CODE REQUIREMENTS.

**3 BAY SINK & GREASE TRAP DETAIL**  
P.1.1 NOT TO SCALE



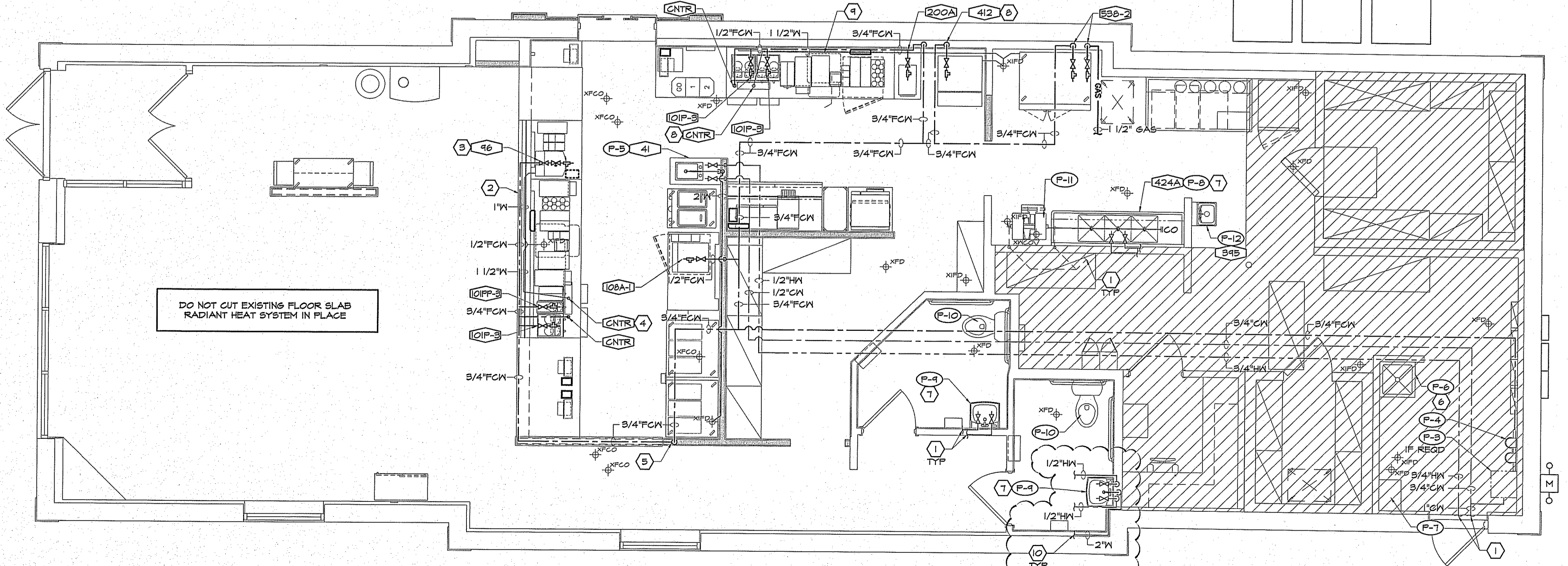
EACH CHEMICAL DISPENSER MUST HAVE A DEDICATED WATER SUPPLY, LOCATED WITHIN 4FT OF THE DISP. IT MUST PROVIDE TEMPERED WATER (ADJUSTABLE FROM 60-120°F) WITH A FLOW RATE OF 4 GPM AT 40 PSI DYNAMIC FLOWING PRESSURE (35 PSID MIN). THE HOT AND COLD WATER SUPPLY LINES MUST HAVE CHECK VALVES TO PREVENT HOT/COLD WATER CROSSOVER. IF THE TEMPERING VALVE DOES NOT INCLUDE THEM, IT MUST INCLUDE A SHUTOFF VALVE TERMINATING IN A 3/4" GARDEN HOSE MALE FITTING.  
NOTE: THE DEDICATED WATER SUPPLY SHOULD NOT HAVE ANY BACKFLOW PREVENTION (EG NO ATMOSPHERIC VACUUM BREAKER, ETC) UNLESS REGD BY THE LOCAL PLUMBING CODE OR UTILITY - EACH CHEMICAL DISPENSER INCLUDES AN INTEGRAL BACKFLOW PREVENTOR ASSE 1055)

**CHEM SYS @ MOP SINK**  
P.1.1 NOT TO SCALE



PROVIDE FULL PORT BALL SHUT-OFF VALVE ON ROUGH-IN. DOUBLE CHECK VALVE. INSTALL WATER FILTER PER MANUFACTURER'S INSTRUCTIONS IF FURNISHED WITH ICE MACH. INSTALL WHERE ACCESSIBLE. INDIRECT DRAIN- OPEN TO ATMOSPHERE AT UPPER END. FLOOR DRAIN WITH TOP 1/2" BELOW FLOOR. PROVIDE FLOOR SINK AT FRONT EDGE OF ICE MACHINE, WHERE ACCESSIBLE FOR CLEANING - NOT UNDER ANY EQUIPMENT. SLOPE FLOOR 1/2" TO RIM. PROVIDE COLD WATER ROUGH-IN AT TOP OF ICE MACHINE. ARRANGEMENT SHOWN IS SCHEMATIC. ADJUST AS REQUIRED TO SUIT FIELD CONDITIONS OR MEET LOCAL CODE REQUIREMENTS.

**ICE MACHINE DETAIL**  
K.I.2 NOT TO SCALE



**PLUMBING PLAN**  
SCALE: 1/4" = 1'-0"

©AHARONIAN & ASSOCIATES INC 2014

**FOR CONSTRUCTION**

PROJECT TITLE  
**DUNKIN' BRANDS**  
[eatdrinkthink]  
PC# NEW FRESH BREW IMAGE: CAPPUCCINO BLEND  
1412 CONGRESS STREET  
PORTLAND, ME  
Cumberland County

DRAWING TITLE  
**PLUMBING PLAN, SCHEDULE & DTLS**

DATE	PROJ NO
MAY 12, 2014	14016
DRAWN BY	CHECKED BY
JN	MH
DRAWING NUMBER	
<b>P1.1</b>	