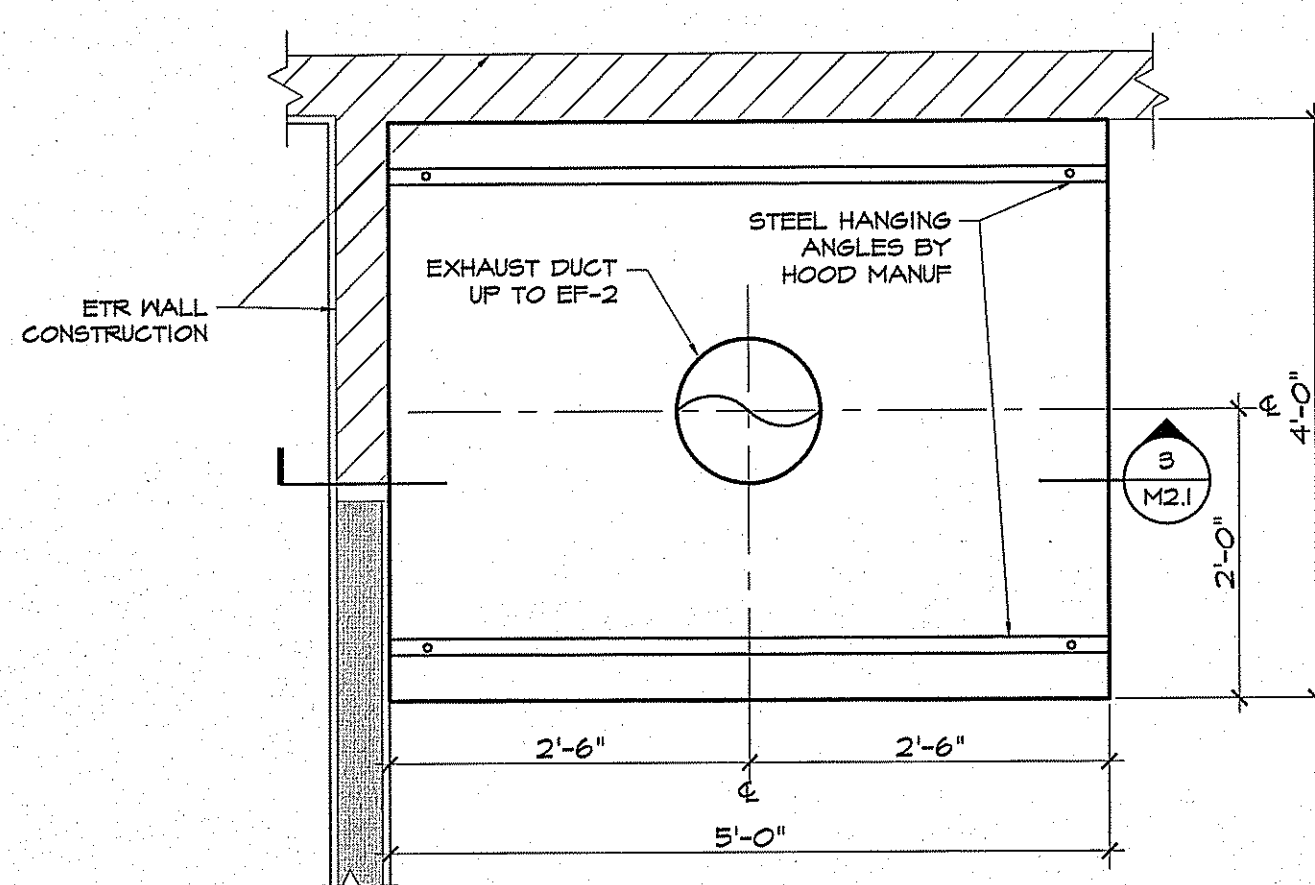


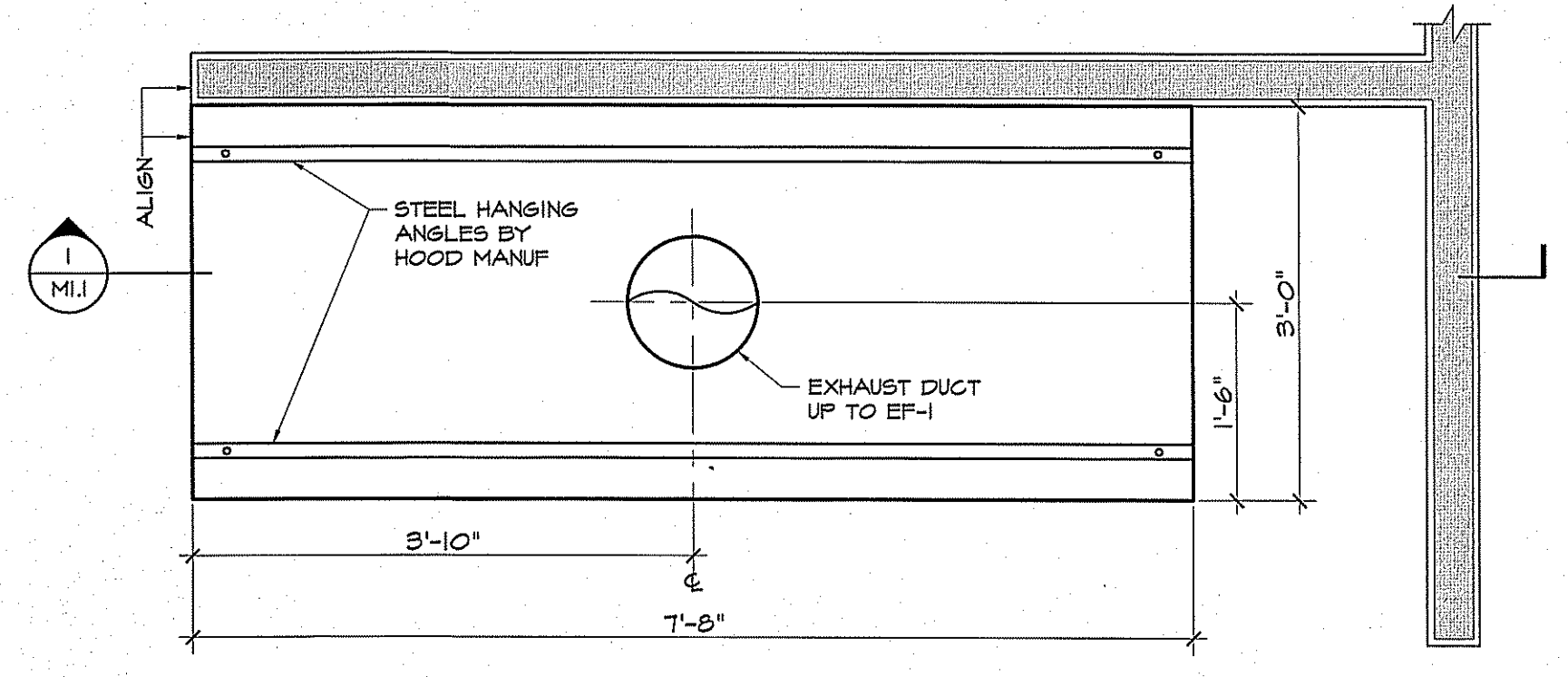
AHARONIAN & ASSOCIATES INC.
ARCHITECTS
 MAINE LICENSED ARCHITECT
 310 George Washington Highway
 Suite 100
 Smithfield, Rhode Island
 0 2 9 1 7
 T 401-232-5010
 F 401-232-5080
 WWW.ARCH-ENG.COM

DISCLAIMER

OWNERSHIP AND USE OF DOCUMENTS, DRAWINGS AND SPECIFICATIONS ARE INSTRUMENTS OF PROFESSIONAL SERVICE AND SHALL REMAIN THE PROPERTY OF THE ARCHITECT. THESE DOCUMENTS ARE NOT TO BE USED, IN WHOLE OR IN PART, FOR ANY OTHER PROJECTS OR PURPOSES OR BY ANY OTHER PARTIES THAN THOSE PROPERLY AUTHORIZED BY CONTRACT WITHOUT THE EXPRESS WRITTEN AUTHORIZATION OF THE ARCHITECT.

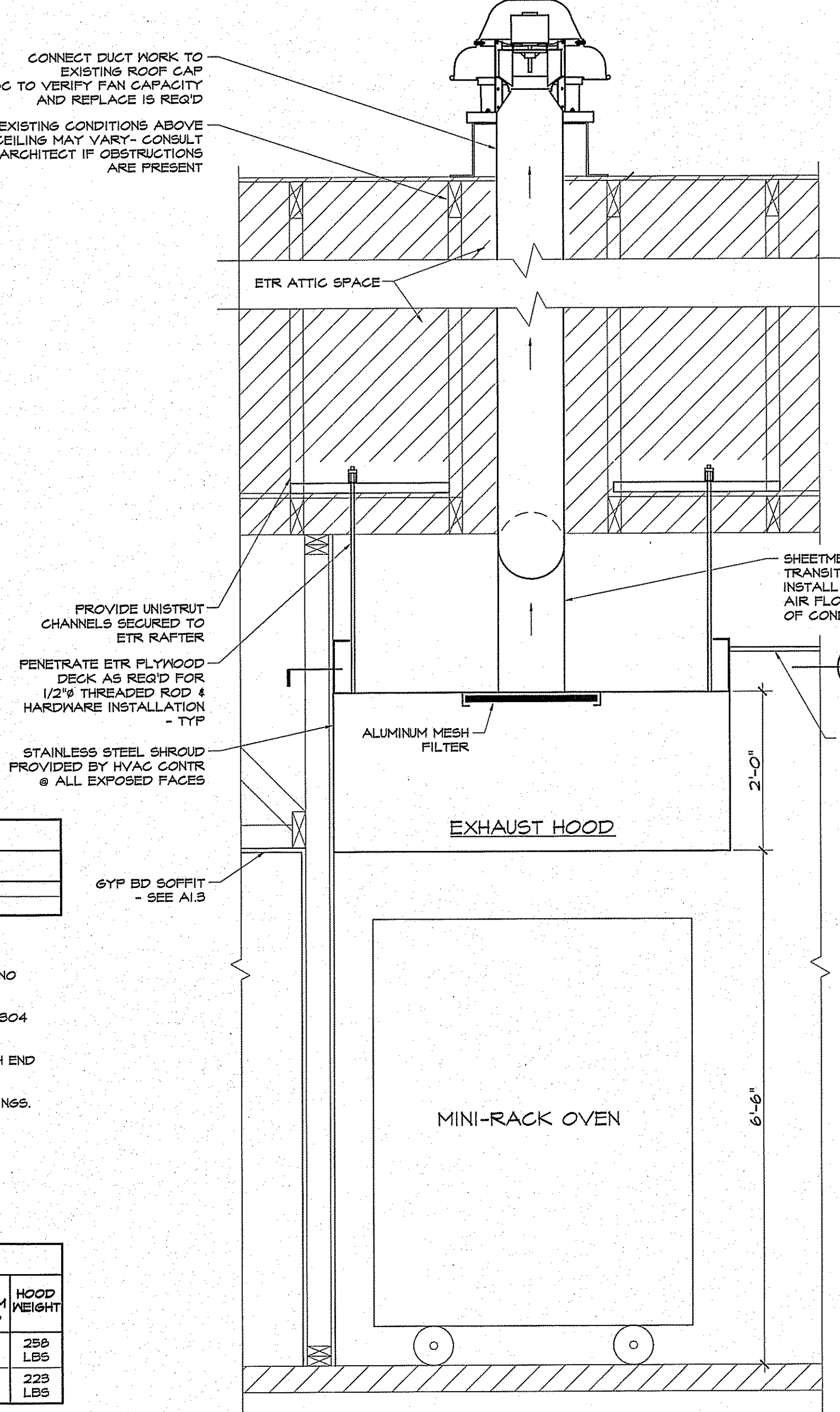


4 HOOD PLAN VIEW
 SCALE: 3/4" = 1'-0"
 M.I. PLAN

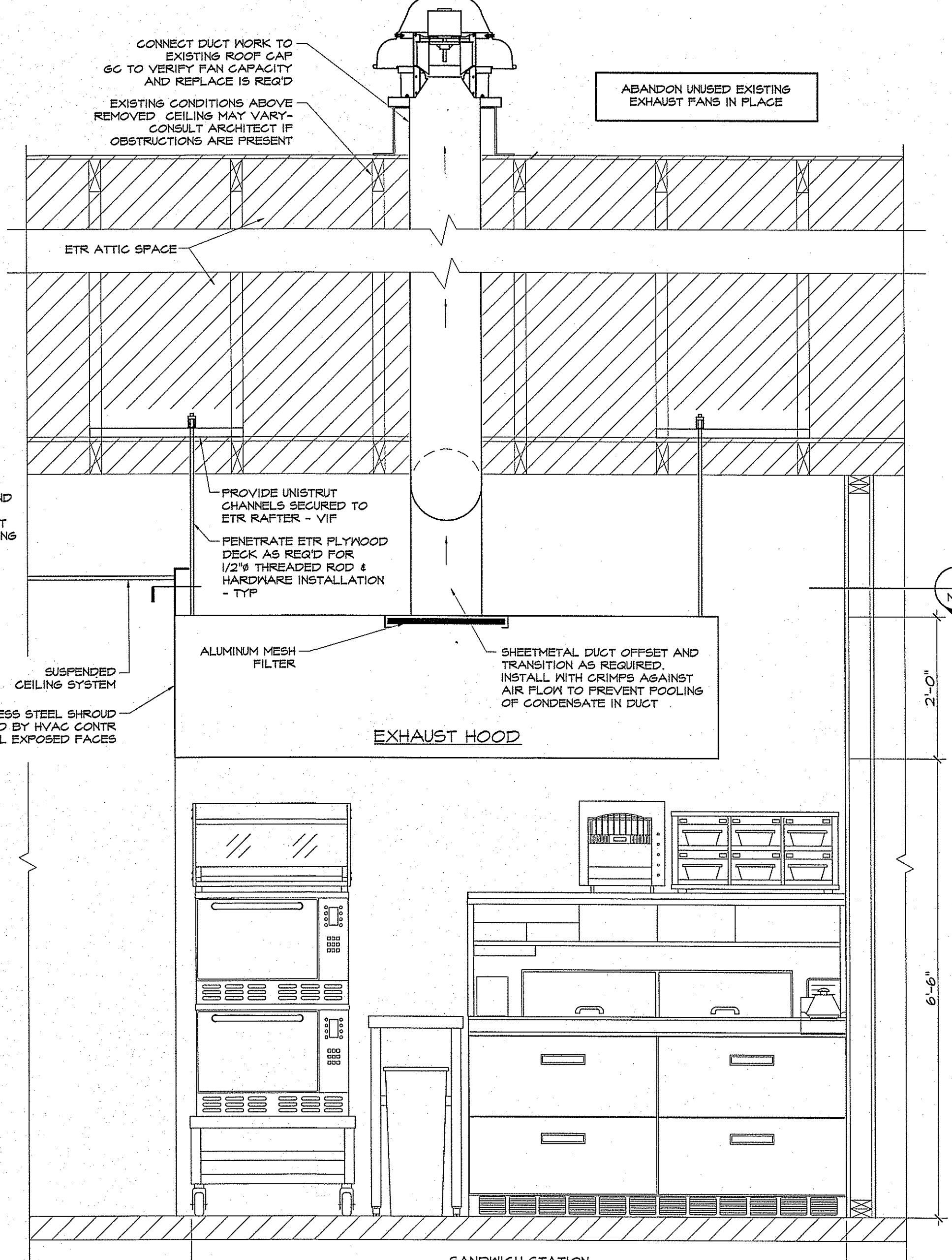


2 HOOD PLAN VIEW
 SCALE: 3/4" = 1'-0"
 M.I. PLAN

- GENERAL HOOD NOTES**
- 1) ALL ELECTRICAL FIELD CONNECTIONS AND RELATED INTERCONNECTIONS SHALL BE PROVIDED BY ELECTRICAL CONTRACTOR.
 - 2) ALL MECHANICAL FIELD CONNECTIONS AND RELATED INTERCONNECTIONS SHALL BE PROVIDED AS REQUIRED BY MECHANICAL CONTRACTOR.
 - 3) ALL ASSOCIATED HANGER MATERIALS SHALL BE PROVIDED BY INSTALLING CONTRACTOR.
 - 4) HOOD MANIF SHALL PROVIDE FACTORY LOCATED AND WELDED HANGER BRACKETS.
 - 5) ALL DUCT CONNECTIONS FROM CAPTIVE-AIRE HOOD SHALL BE PROVIDED BY THE MECHANICAL CONTRACTOR.
 - 6) ALL REQ'D SEISMIC RESTRAINTS SHALL BE PROVIDED BY INSTALLING CONTRACTOR.
 - 7) INSTALLING CONTRACTOR ASSUMES ALL RESPONSIBILITY FOR VERIFICATION OF DIMENSIONAL DATA CONTAINED ON THESE DOCUMENTS FOR ACCURACY, INTEGRATION, AND ADMINISTRATION OF CODE REQUIREMENTS IN EFFECT PRIOR TO ANY RELEASE FOR PRODUCTION OF EQUIPMENT SHOWN.
 - 8) SIGNED AND APPROVED COPIES OF THIS DRAWING MUST BE RECEIVED BY THE FACTORY PRIOR TO COMMENCEMENT OF FABRICATION.
 - 9) ALL FANS SHALL BE UL LISTED.
 - 10) HOOD EXHAUST FANS SHALL BE INTERLOCKED W/ EXIST HVAC UNITS. A CURRENT SWITCH SHALL BE WIRED IN PARALLEL W/ THE EXHAUST FAN SWITCH & THE HVAC UNITS.
- WHEN THE EXHAUST FAN IS TURNED ON, THE HVAC UNITS & THE EXHAUST FAN SHALL OPERATE SIMULTANEOUSLY TO PROVIDE MAKE-UP AIR. WHEN THE EXHAUST FAN IS TURNED OFF, THE HVAC UNITS SHALL OPERATE NORMALLY ON THEIR SCHEDULED PROGRAMS & SETTINGS.



3 HOOD SECTION/ELEVATION
 SCALE: 3/4" = 1'-0"
 A1.3



1 HOOD SECTION/ELEVATION
 SCALE: 3/4" = 1'-0"
 A1.3

EXHAUST FAN SCHEDULE

SYMBOL	CFM	SP (EXT)	ELECTRICAL DATA				MANUFACTURER	MODEL NUMBER	REMARKS
			HP	FAN RPM	VOLTAGE	STARTER SIZE			
EF-1	770	.75	.25	1815	120/1/60	CAPTIVEAIRE	DR20HFA		
EF-2	500	.75	.18	1815	120/1/60	CAPTIVEAIRE	DR20HFA		

- EXHAUST FAN SPECIFICATION**
- 1) FURNISH EXHAUST FAN(S) WITH:
 - a. ALUMINIZED BIRDSCREEN
 - b. SAFETY DISCONNECT SWITCH
 - c. AMCA SEAL & UL CERTIFIED
 - d. 12" HIGH PREFABRICATED ROOF CURB
 - e. SPEED CONTROL
 - f. GRAVITY DAMPER (AS REQ'D BY LOCAL CODE)
 - 2) ENSURE EXHAUST DISCHARGES MINIMUM 10 FEET FROM AIR INTAKES
 - 3) COORDINATE WITH MANUFACTURER FOR FINAL SELECTION

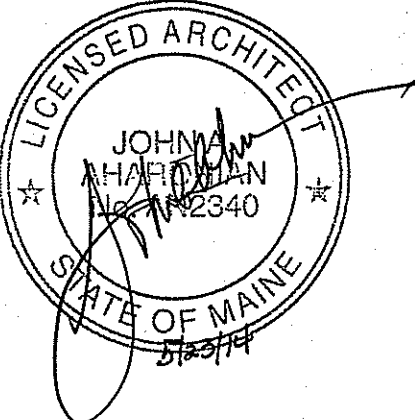
- EXHAUST HOOD SPECIFICATION**
- 1) EXHAUST HOOD SHALL BE TYPE 2, SINGLE WALL TYPE WITH NO BUILT-IN MAKE-UP AIR CAPABILITIES.
 - 2) HOOD COMPONENTS SHALL BE FABRICATED OF 16GA TYPE 304 S/STEEL, POLISH #3 OR #4 ON ALL EXPOSED SURFACES.
 - 3) HOOD SHALL BE PROVIDED WITH HANGING ANGLES ON EACH END OF THE HOOD - COORD W/ MANUF FOR PROPER SUPPORT.
 - 4) NOMINAL HOOD DIMENSIONS SHALL BE AS SHOWN ON DRAWINGS.

EXHAUST HOOD SCHEDULE

REF EXHAUST FAN	MODEL	LENGTH	MAX COOKING TEMP	EXHAUST PLENUM			HOOD CONSTRUCTION	FILTER(S)				FIRE SYSTEM PIPING	HOOD WEIGHT
				TOTAL EXH CFM	DIAMETER &	CFM		TYPE	QTY	HEIGHT	LENGTH		
EF-1	9624 VHB	7'-8"	700 DEG	770	12"	784	490 55 100%	ALUM MESH				NONE	256 LBS
EF-2	4824 VHB	5'-0"	700 DEG	500	10"	471	490 55 100%	ALUM MESH				NONE	223 LBS

REVISIONS

NUMBER	REMARKS	DATE



FOR CONSTRUCTION

PROJECT TITLE
DUNKIN' BRANDS
 [eatdrinkthink]
 PC# NEW
 FRESH BREW IMAGE:
 CAPPUCCINO BLEND

1412 CONGRESS STREET
 PORTLAND, ME
 Cumberland County

DRAWING TITLE
**EXHAUST HOOD
 DETAILS &
 SCHEDULES**

DATE	PROJ NO
MAY 12, 2014	14016
DRAWN BY	CHECKED BY
JJ	MH

DRAWING NUMBER
M1.1