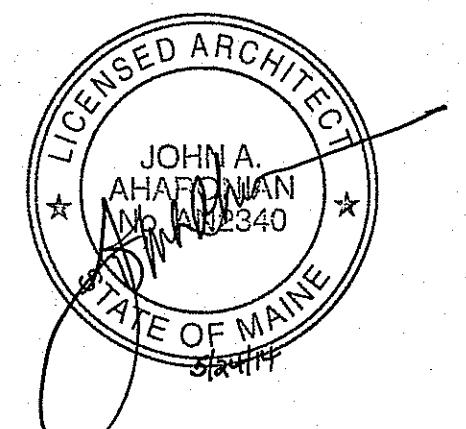




**AHARONIAN & ASSOCIATES INC.**  
**ARCHITECTS**  
 MAINE LICENSED ARCHITECT  
 310 George Washington Highway  
 Suite 100  
 Smithfield, Rhode Island  
 0 2 9 1 7  
 T 401-232-5010  
 F 401-232-5080  
 WWW.ARCH-ENG.COM

**DISCLAIMER**  
 OWNERSHIP AND USE OF DOCUMENTS, DRAWINGS AND SPECIFICATIONS ARE INSTRUMENTS OF PROFESSIONAL SERVICE AND SHALL REMAIN THE PROPERTY OF THE ARCHITECT. THESE DOCUMENTS ARE NOT TO BE USED, IN WHOLE OR IN PART, FOR ANY OTHER PROJECTS OR PURPOSES OR BY ANY OTHER PARTIES THAN THOSE PROPERLY AUTHORIZED BY CONTRACT WITHOUT THE EXPRESS WRITTEN AUTHORIZATION OF THE ARCHITECT.

REVISIONS		
NUMBER	REMARKS	DATE



**FOR CONSTRUCTION**

PROJECT TITLE  
**DUNKIN' BRANDS**  
 [eatdrinkthink]  
 PC# NEW  
 FRESH BREW IMAGE:  
 CAPPUCCINO BLEND

1412 CONGRESS STREET  
 PORTLAND, ME  
 Cumberland County

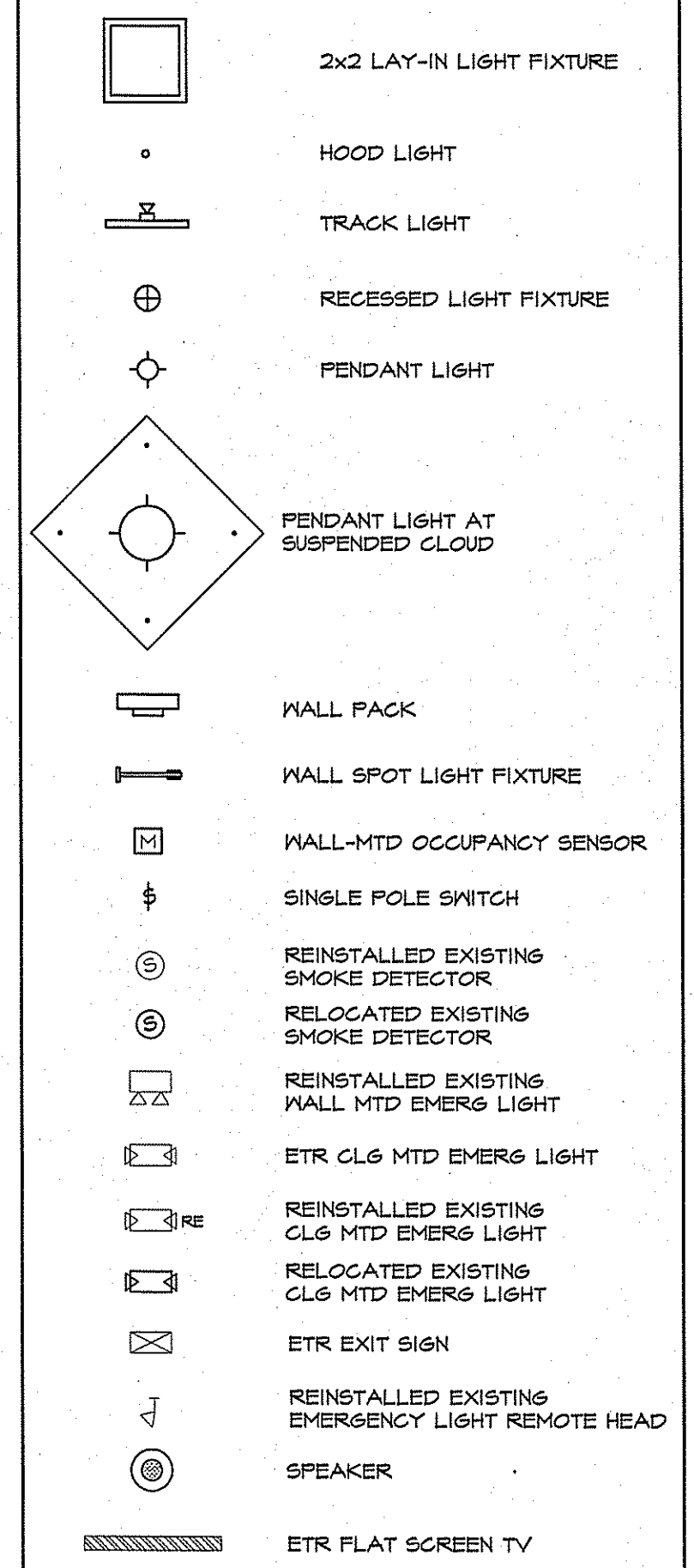
DRAWING TITLE  
**LIGHTING PLAN,  
 LIGHT & PANEL  
 SCHEDULES**

DATE: MAY 12, 2014 PROJ NO: 14016  
 DRAWN BY: JB CHECKED BY: MH

DRAWING NUMBER

**E1.2**

**LIGHTING PLAN LEGEND**



**LIGHT FIXTURE SCHEDULE**

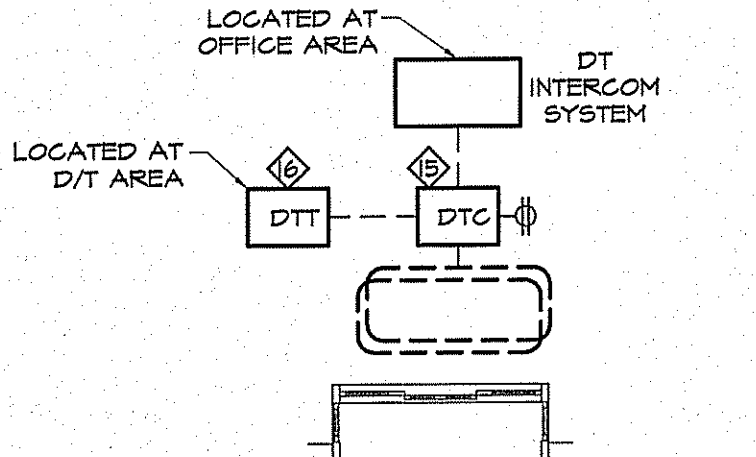
CODE	DESCRIPTION	MANUF	PRODUCT #
C	TRACK HEAD - OPEN STYLE	HALO	L708MB
CJ	EXTERIOR AWNING LIGHT	MERCURY	M4000-I-92-OCT-ELB-JNI
6	EYELID WALL PACK - 10W LED	COOPER	XTORIA
HL	LIGHT FIXTURES UNDER HOOD	RAB LIGHTING	VX100D6
LED-1	LED DOWN LIGHT W/RC-6 HOUSING	CREE	LR6-DRI000/RC6-12W-SU24/LTA-A-DR
LED-4	LED 2X2 RECESSED FIXTURE	CREE	CR22-92L-95K
LED-7	LED 2X2 RECESSED FIXTURE	METALUX	26R-LDI-92-A-UNV-L895-CDI-U
OC	OPTIONAL-WALL MOUNTED OCCUPANCY SENSOR-WHITE	MS	MS-200-W
P2	HANGING DECORATIVE PENDANT BOT MTD @ 7'-6" AF	MODERN LIGHTING	23194-O (ORANGE GLASS PENDANT)
P4	HANGING DECORATIVE PENDANT (6" DIA) BOT MTD @ 5'-6" ABV BOOTHS; 6'-6" ABV TABLES	BOCK LIGHTING	PI4-ST (FROSTED GLASS SHADE)
MSCX-2	SINGLE FIXTURE W/ 18" ARM W/ LAMP	HI-LITE	H-HDMR16/ 18-119/ 50W LV-BCM-M/ B011280

**LIGHTING NOTES**

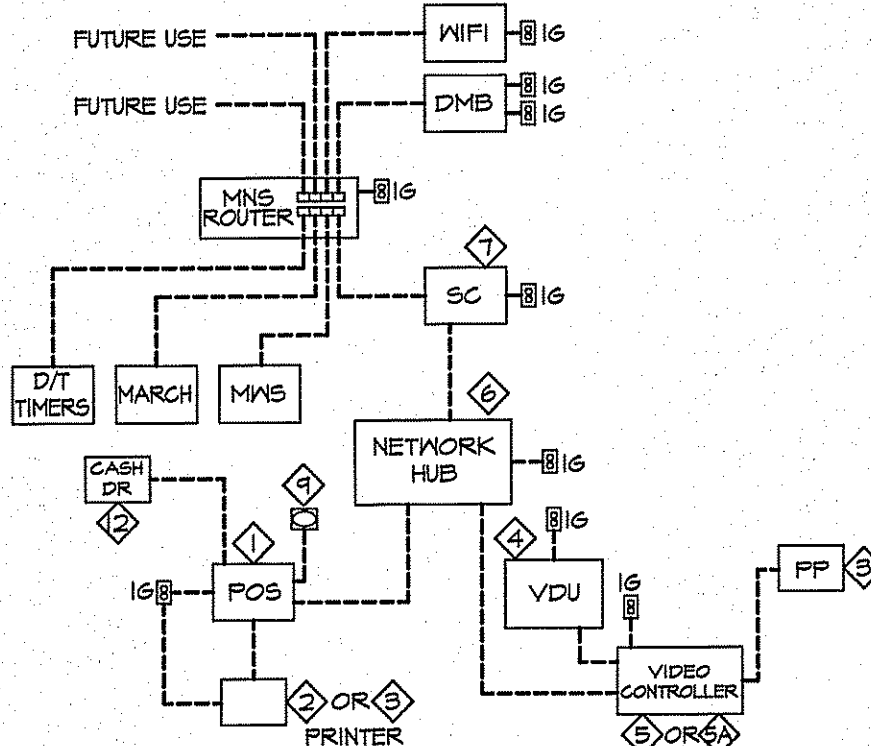
- THE ELECTRICAL CONTRACTOR SHALL BE FAMILIAR WITH ALL OTHER DIVISIONS AND SECTIONS OF THIS CONTRACT.
- WORK UNDER THIS CONTRACT SHALL CONFORM TO THE NATIONAL ELECTRICAL CODE, OSHA, NFPA, STATE AND LOCAL CODES.
- ALL WIRING SHALL BE CONCEALED WITHIN THE WALL AND CEILING SPACES. ALL WIRING AND HOME RUNS BACK TO PANEL SHALL BE INSTALLED IN A NEAT AND WORKMANLIKE MANNER.
- ALL LIGHTING FIXTURES SHALL BE PROPERLY SECURED TO THE BUILDING STRUCTURE.
- PROVIDE ALL FIXTURES COMPLETE WITH LAMPS. REFER TO NATIONAL ACCOUNT SOURCE FOR LAMP SPECIFICATIONS.
- ALL INCANDESCENT LAMPS SHALL BE RATED 180 VOLTS.
- PROVIDE HOLD DOWN CLIPS FOR EACH CORNER OF LAY-IN LIGHT FIXTURES.
- PROVIDE ALL REQUIRED MOUNTING OR HANGING HARDWARE.
- LAMPS SHALL BE AS MANUFACTURED BY SYLVANIA, WESTINGHOUSE, GENERAL ELECTRIC OR APPROVED EQUAL.
- SWITCHES TO BE MOUNTED AT 48" AF UNLESS NOTED OTHERWISE.
- COORDINATE INSTALLATION IN FIELD WITH ARCHITECT AND ENGINEER. COORDINATE AIMING OF ADJUSTABLE FIXTURES IN FIELD WITH LIGHTING CONSULTANT.
- ALL CEILING-MOUNTED HVAC EQUIPMENT SHALL BE CONNECTED BACK TO EXISTING SYSTEMS. THESE ITEMS SHOWN ON PLAN ARE FOR REFERENCE ONLY.
- LED LAMPS SHALL BE 95K COLOR TEMP, RATED 120V TYP. LAMPS SHALL BE PURCHASED THROUGH NATIONAL ACCOUNT REP.
- SEE E0.1 FOR GENERAL ELECTRICAL NOTES.

**MUSIC SYSTEM NOTES**

- MUSIC SYSTEM IS REQUIRED IN ALL NEW AND REMODEL STORES.
- ALL CEILING SPEAKERS TO BE FLUSH MOUNTED. COLOR: WHITE.
- A MINIMUM OF TWO SPEAKERS IN THE SEATING AREA, ONE IN EACH RESTROOM & ONE IN THE VESTIBULE. NO SPEAKERS IN THE SERVICE AREA.
- HARDWARE TO BE INSTALLED IN THE OFFICE. FIELD VERIFY AND COORDINATE WITH FRANCHISE FOR THE EXACT LOCATION OF THE UNIT AND VOLUME CONTROLS. PROVIDE SEPARATE VOLUME CONTROLS FOR EA AREA.
- DUNKIN' BRANDS RECOMMENDS MUZAK AS THE MUSIC & SYSTEM SUPPLIER. MUZAK CONTACT INFO: NATIONAL ACCOUNT REP, KELLY RICHTE P. 703-201-1200 F. 703-918-8078 EMAIL: KRIGHT@MUZAK.COM WWW.MUZAK.COM



**3 D/T POS SCHEMATIC**  
 SCALE: NOT TO SCALE



**2 POS SCHEMATIC**  
 SCALE: NOT TO SCALE

**EXISTING PANEL B (XPB)**  
 225A 240V 3PH, 4W

LOAD DESCRIPTION	CIR TRIP	BKR NO.	CIR TRIP	BKR NO.	LOAD DESCRIPTION
ETR SPARE	1	2	15	3	10IQ-3 COFFEE GRINDR
ETR SPARE	3	4	15	3	ETR SPARE
ETR SPARE	5	6	15	3	10IQ/OID DIARY/SUG
ETR SPARE	7	8	30	7	96 ESPRESSO MACHINE
ETR SPARE	9	10	4	10	ETR SPARE
ETR SPARE	11	12	20	11	105B DONUT DISPLAY
ETR SPARE	13	14	20	13	105B DONUT DISPLAY
ETR SPARE	15	16	20	15	110 COOLATTA (LEFT)
ETR SPARE	17	18	20	17	110 COOLATTA (RIGHT)
ETR SPARE	19	20	20	19	ETR SPARE
ETR SPARE	21	22	20	21	120F W/C REF
ETR SPARE	23	24	20	23	120F W/C REF
ETR SPARE	25	26	20	25	EXTERIOR AWNING
ETR SPARE	27	28	20	27	EXTERIOR AWNING
ETR SPARE	29	30	20	29	ETR SPARE
ETR SPARE	31	32	20	31	215 TURBO CHEF OVEN
ETR SPARE	33	34	20	33	215 TURBO CHEF OVEN
ETR SPARE	35	36	20	35	ETR SPARE
ETR SPARE	37	38	20	37	212 REF SANDWICH UNIT
ETR SPARE	39	40	20	39	SAND STA VDU & PRINT
ETR SPARE	41	42	20	41	AIR CURTAIN
ETR SPARE	43	44	20	43	ETR SPARE
ETR SPARE	45	46	20	45	ETR SPARE
ETR SPARE	47	48	20	47	ETR SPARE
ETR SPARE	49	50	20	49	ETR SPARE
ETR SPARE	51	52	20	51	ETR SPARE
ETR SPARE	53	54	20	53	ETR SPARE
ETR SPARE	55	56	20	55	ETR SPARE
ETR SPARE	57	58	20	57	ETR SPARE
ETR SPARE	59	60	20	59	ETR SPARE
ETR SPARE	61	62	20	61	ETR SPARE
ETR SPARE	63	64	20	63	ETR SPARE
ETR SPARE	65	66	20	65	ETR SPARE
ETR SPARE	67	68	20	67	ETR SPARE
ETR SPARE	69	70	20	69	ETR SPARE
ETR SPARE	71	72	20	71	ETR SPARE

**PANEL SCHEDULE NOTES:**

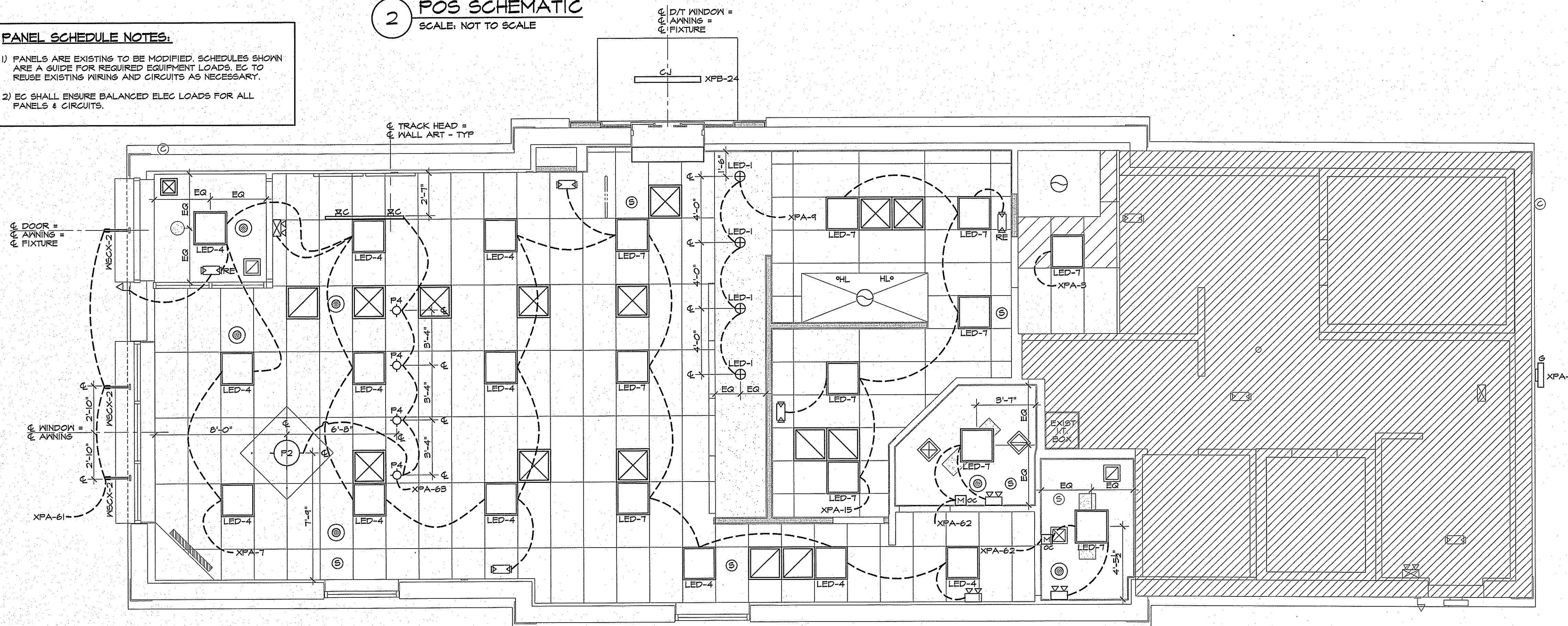
- PANELS ARE EXISTING TO BE MODIFIED. SCHEDULES SHOWN ARE A GUIDE FOR REQUIRED EQUIPMENT LOADS. EG TO REUSE EXISTING WIRING AND CIRCUITS AS NECESSARY.
- EG SHALL ENSURE BALANCED ELEC LOADS FOR ALL PANELS & CIRCUITS.

**EXISTING PANEL A (XPA)**  
 225A 240V 3PH, 4W

LOAD DESCRIPTION	CIR TRIP	BKR NO.	CIR TRIP	BKR NO.	LOAD DESCRIPTION
ETR SPARE	1	2	20	1	ETR SPARE
ETR SPARE	3	4	20	3	ETR SPARE
ETR SPARE	5	6	20	5	ETR SPARE
ETR SPARE	7	8	20	7	ETR SPARE
ETR SPARE	9	10	20	9	ETR SPARE
ETR SPARE	11	12	20	11	ETR SPARE
ETR SPARE	13	14	20	13	ETR SPARE
ETR SPARE	15	16	20	15	ETR SPARE
ETR SPARE	17	18	20	17	ETR SPARE
ETR SPARE	19	20	20	19	ETR SPARE
ETR SPARE	21	22	20	21	ETR SPARE
ETR SPARE	23	24	20	23	ETR SPARE
ETR SPARE	25	26	20	25	WATER FILTRATION SYS
ETR SPARE	27	28	20	27	BOOSTER (IF NEED)
ETR SPARE	29	30	20	29	ETR SPARE
ETR SPARE	31	32	20	31	ETR SPARE
ETR SPARE	33	34	20	33	ETR SPARE
ETR SPARE	35	36	20	35	ETR SPARE
ETR SPARE	37	38	20	37	ETR AHU #1
ETR SPARE	39	40	20	39	ETR AHU #2
ETR SPARE	41	42	20	41	ETR AHU #3
ETR SPARE	43	44	20	43	OFFICE RECEIPT
ETR SPARE	45	46	20	45	OFFICE RECEIPT
ETR SPARE	47	48	20	47	OFFICE RECEIPT
ETR SPARE	49	50	20	49	OFFICE RECEIPT
ETR SPARE	51	52	20	51	RESTROOM RECEIPT
ETR SPARE	53	54	20	53	ETR BATHRM EXH FAN
ETR SPARE	55	56	20	55	ETR SPARE
ETR SPARE	57	58	20	57	ETR SPARE
ETR SPARE	59	60	20	59	ETR SPARE
ETR SPARE	61	62	20	61	ETR SPARE
ETR SPARE	63	64	20	63	ETR SPARE
ETR SPARE	65	66	20	65	ETR SPARE
ETR SPARE	67	68	20	67	ETR SPARE
ETR SPARE	69	70	20	69	ETR SPARE
ETR SPARE	71	72	20	71	ETR SPARE

**EXISTING PANEL C (XPC)**  
 225A 240V 3PH, 4W

LOAD DESCRIPTION	CIR TRIP	BKR NO.	CIR TRIP	BKR NO.	LOAD DESCRIPTION
ETR SPARE	1	2	20	1	ETR SPARE
ETR SPARE	3	4	20	3	ETR SPARE
ETR SPARE	5	6	20	5	ETR SPARE
ETR SPARE	7	8	20	7	ETR SPARE
ETR SPARE	9	10	20	9	ETR SPARE
ETR SPARE	11	12	20	11	ETR SPARE
ETR SPARE	13	14	20	13	ETR SPARE
ETR SPARE	15	16	20	15	ETR SPARE
ETR SPARE	17	18	20	17	ETR SPARE
ETR SPARE	19	20	20	19	ETR SPARE
ETR SPARE	21	22	20	21	ETR SPARE
ETR SPARE	23	24	20	23	ETR SPARE
ETR SPARE	25	26	20	25	ETR SPARE
ETR SPARE	27	28	20	27	ETR SPARE
ETR SPARE	29	30	20	29	ETR SPARE
ETR SPARE	31	32	20	31	ETR SPARE
ETR SPARE	33	34	20	33	ETR SPARE
ETR SPARE	35	36	20	35	ETR SPARE
ETR SPARE	37	38	20	37	ETR SPARE
ETR SPARE	39	40	20	39	ETR SPARE
ETR SPARE	41	42	20	41	ETR SPARE
ETR SPARE	43	44	20	43	ETR SPARE
ETR SPARE	45	46	20	45	ETR SPARE
ETR SPARE	47	48	20	47	ETR SPARE
ETR SPARE	49	50	20	49	ETR SPARE
ETR SPARE	51	52	20	51	ETR SPARE
ETR SPARE	53	54	20	53	ETR SPARE
ETR SPARE	55	56	20	55	ETR SPARE
ETR SPARE	57	58	20	57	ETR SPARE
ETR SPARE	59	60	20	59	ETR SPARE
ETR SPARE	61	62	20	61	ETR SPARE
ETR SPARE	63	64	20	63	ETR SPARE
ETR SPARE	65	66	20	65	ETR SPARE
ETR SPARE	67	68	20	67	ETR SPARE
ETR SPARE	69	70	20	69	ETR SPARE
ETR SPARE	71	72	20	71	ETR SPARE



**1 LIGHTING PLAN**  
 SCALE: 1/4" = 1'-0"

© AHARONIAN & ASSOCIATES INC 2014