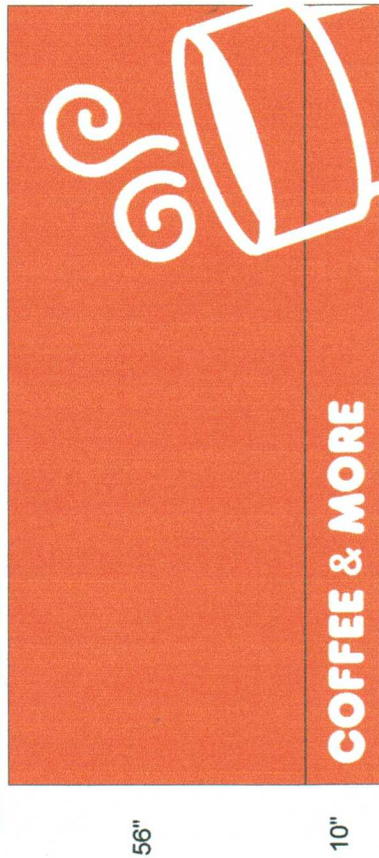


For City Use:

SK 4
Proposed Drive Thru Window Awning
Side Elevation



56"

10"

102"

56"

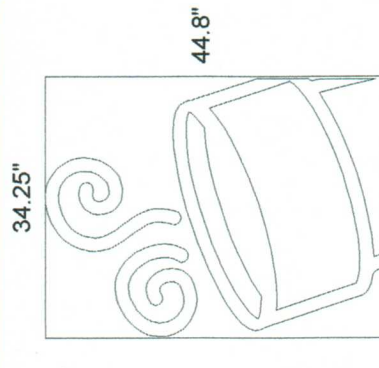
36"

10"

50"

SIDE VIEW

Material Notes:
Arlon orange awning material
words and cup eradicated to white
Awning fastened to wall with 1/4" screws
to blocking



47.5"

COFFEE & MORE

5"

Total word sq footage = 1.65 sq ft

Total cup sq footage = 10.65 sq ft

Total AWNING GRAPHIC sq footage = 12.3 sq ft



656 County Road
Acton, ME 04001
207-477-2956

Dunkin' Donuts
orange awning
with cup graphics

Proposed
Drive Thru Awning
1412 Congress St
Portland, ME