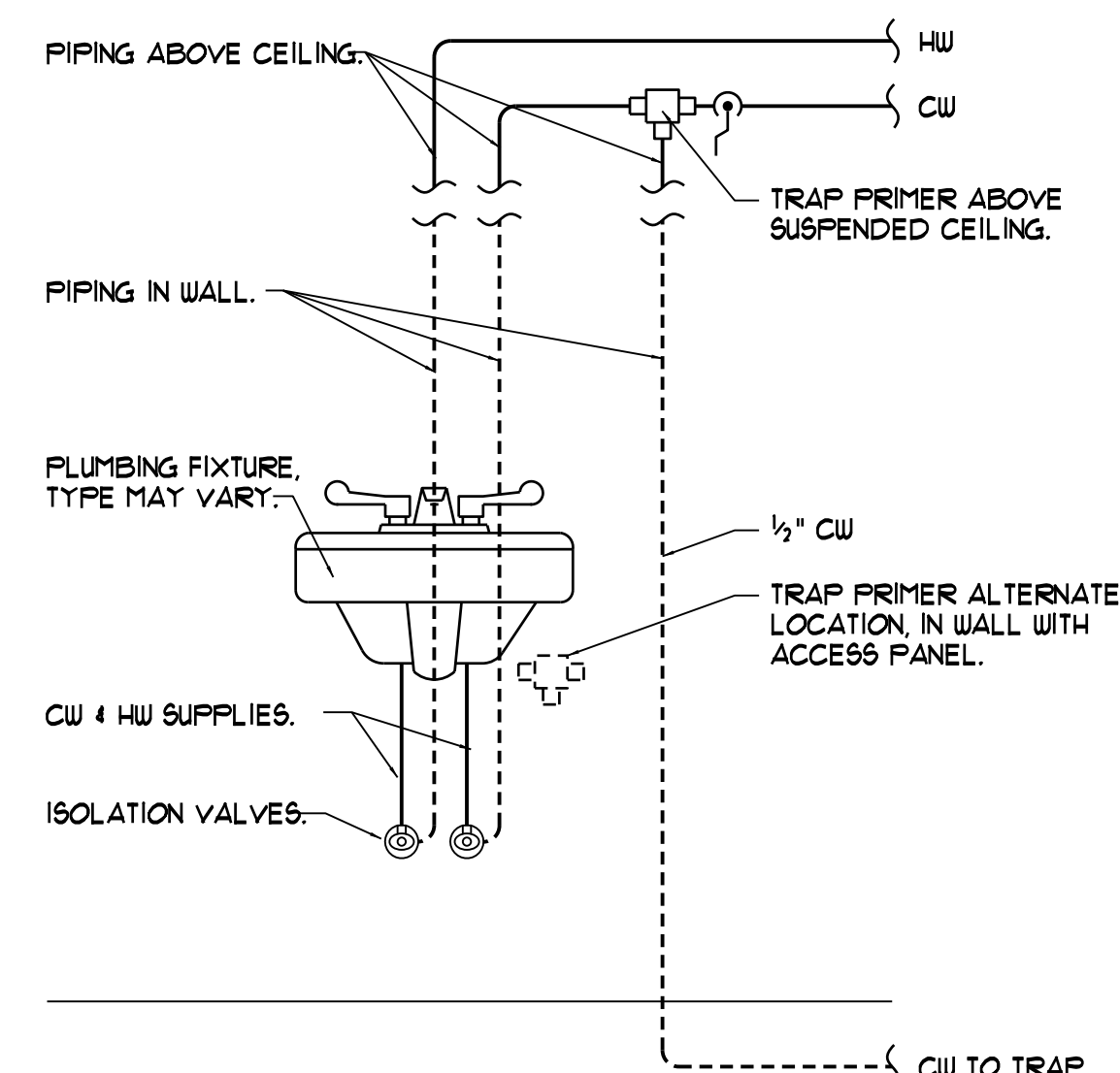
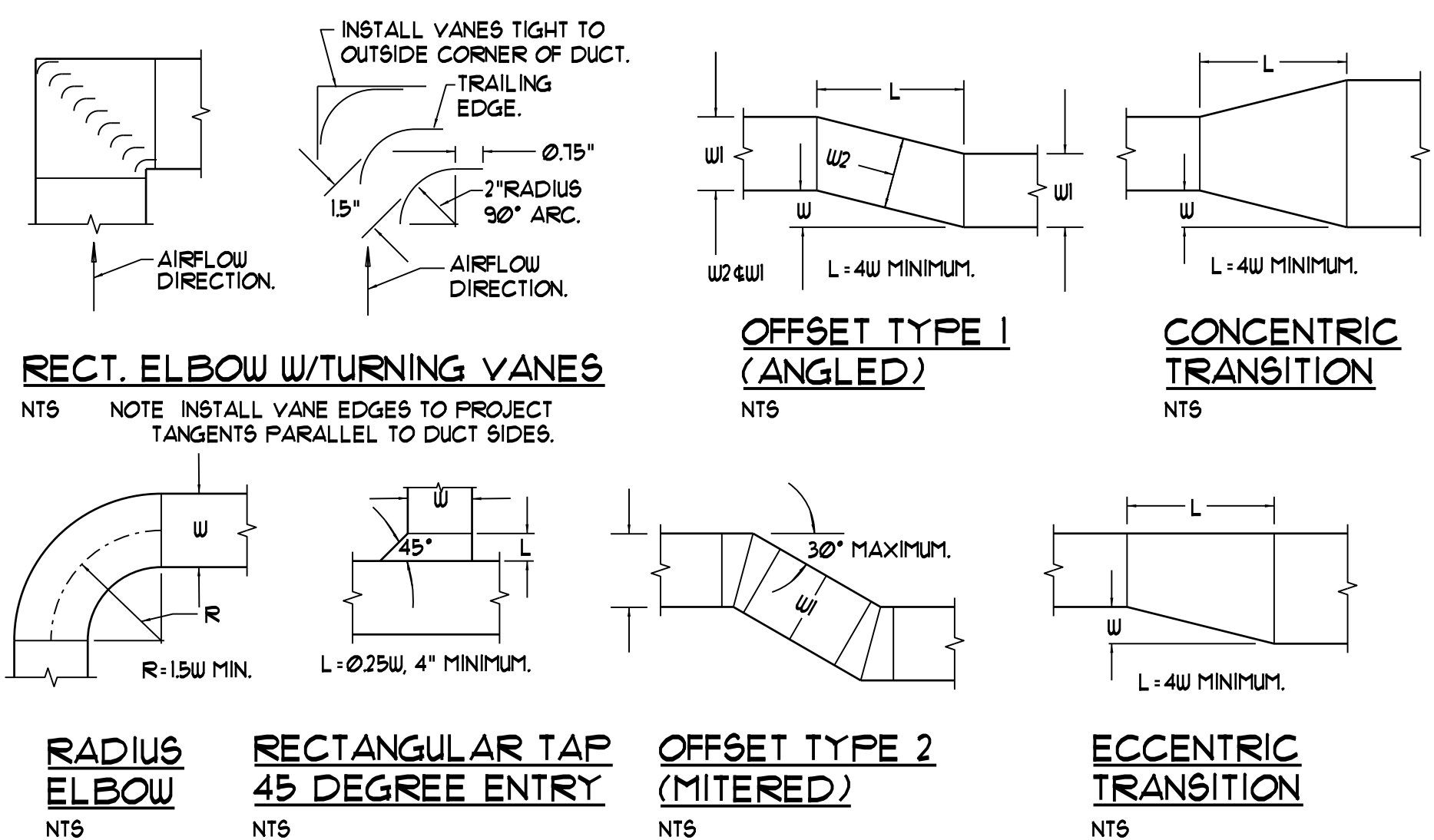


**DOMESTIC HOT WATER PIPING SCHEMATIC**  
NTS

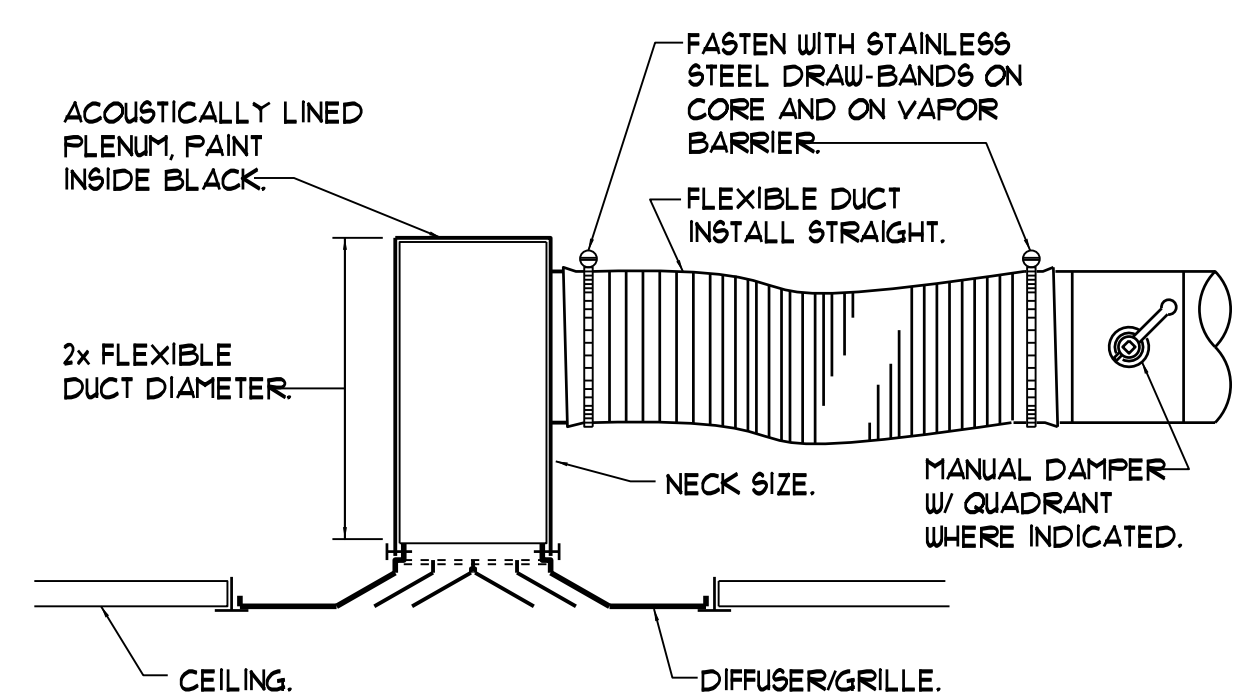


**TRAP PRIMER CONNECTION DETAIL**  
NTS

NOTE - ALL FLOOR DRAINS SHALL HAVE TRAP PRIMERS, CONNECT TO NEAREST FIXTURE.

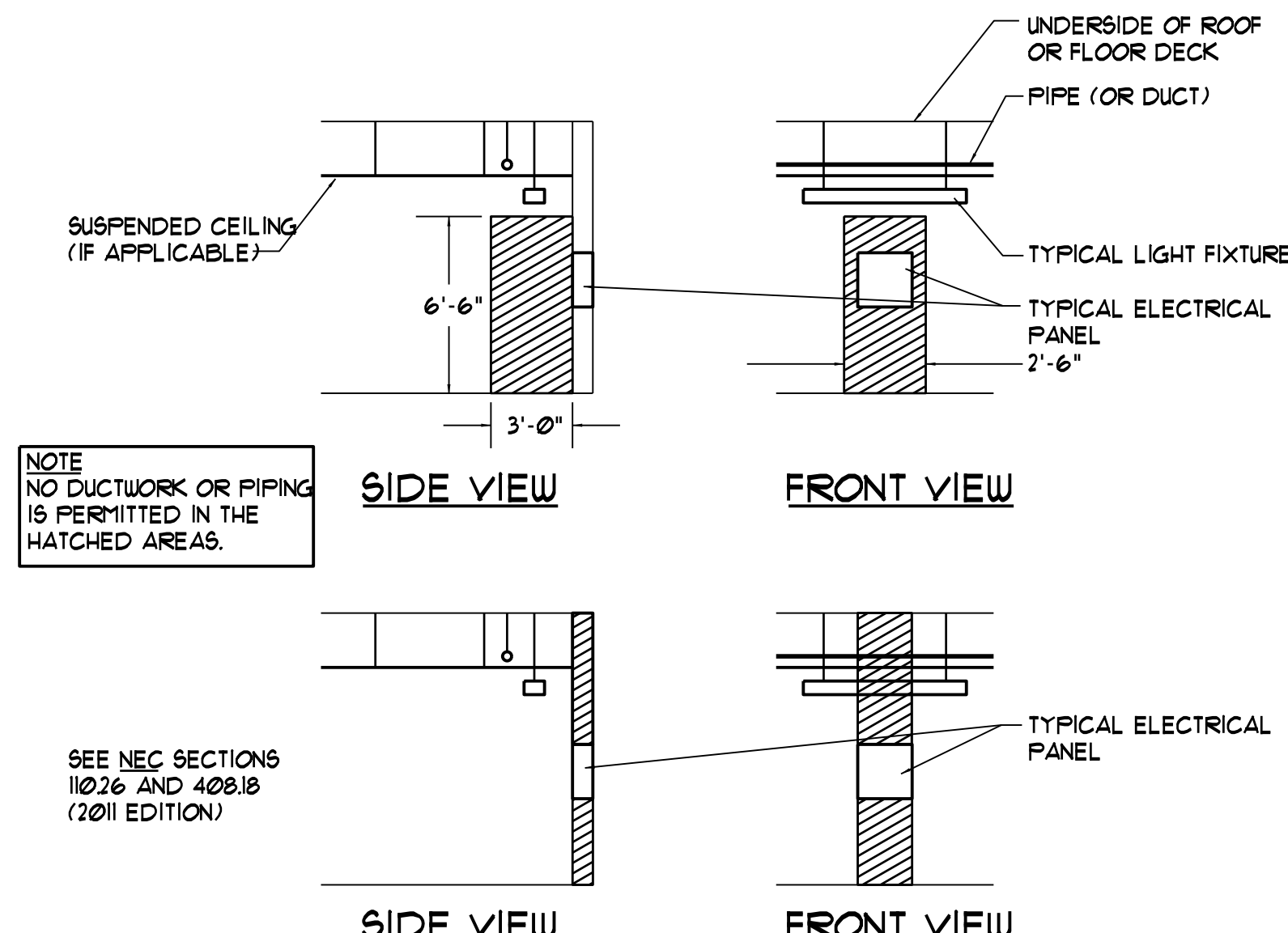


**LOW PRESSURE DUCT CONSTRUCTION DETAILS - TYPICAL**  
NTS

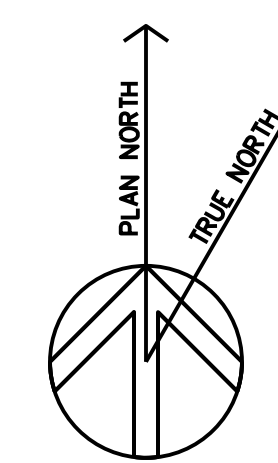


**DIFFUSER/RETURN CONNECTION DETAIL**  
NTS

NOTE: DETAIL TYPICAL FOR CEILING GRILLES, REGISTERS AND LINEAR DIFFUSERS. FOR SURFACE-MOUNT DEVICES, SUPPORT PLENUM FROM CEILING GRID WITH STEEL ANGLES FASTENED TO PLENUM.



**CLEARANCES AT ELECTRICAL PANELS**  
NTS



Title

MECHANICAL DETAILS

Scale: 1/4" = 1'-0"

Date: 5/17/16

Revisions  
05/17/16 ISSUED FOR CONSTRUCTION

Sheet

M4