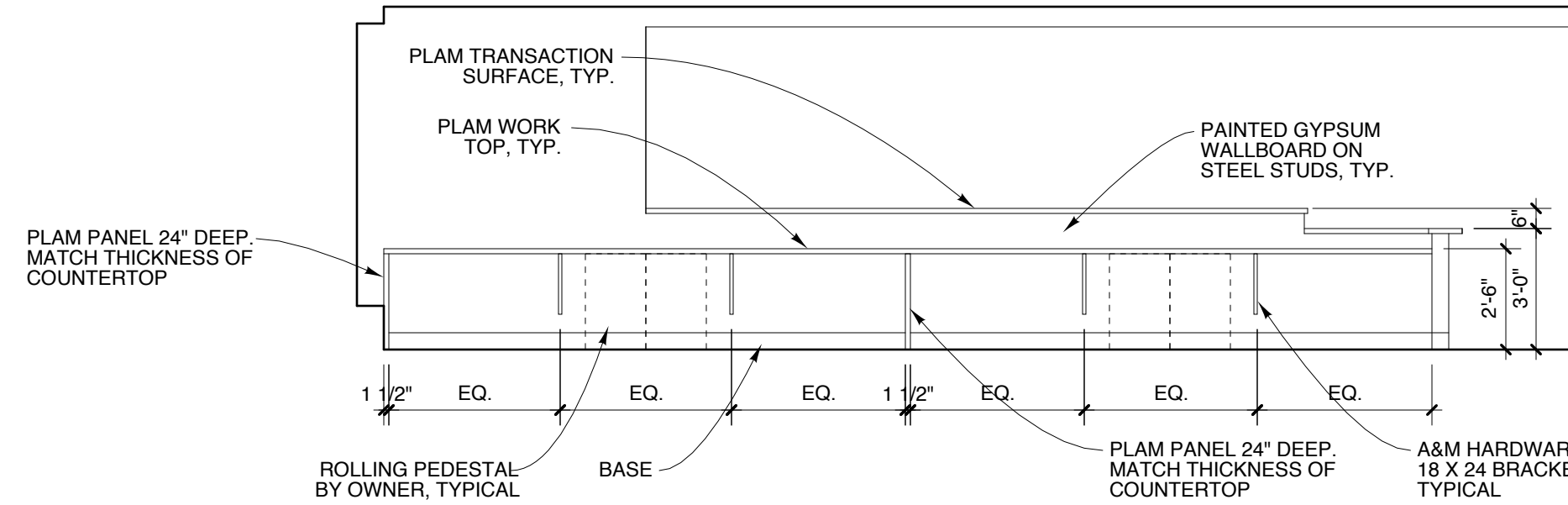
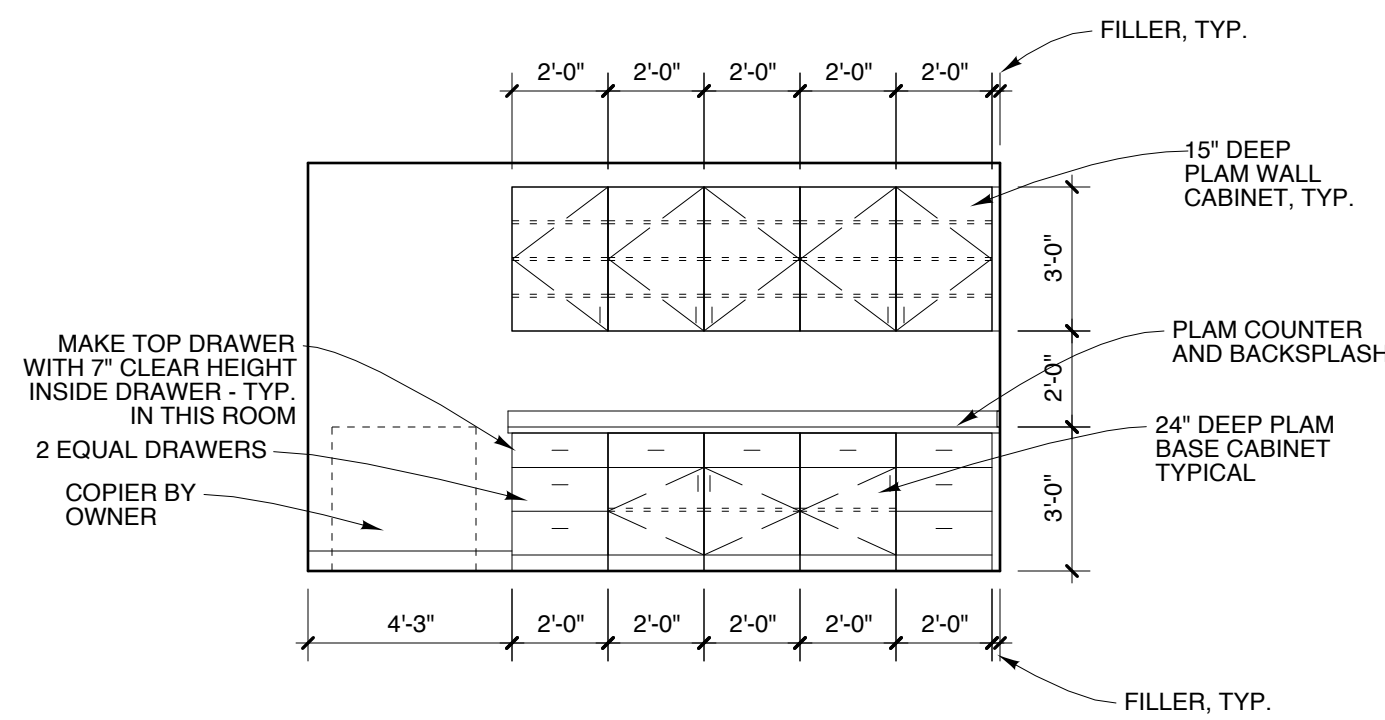


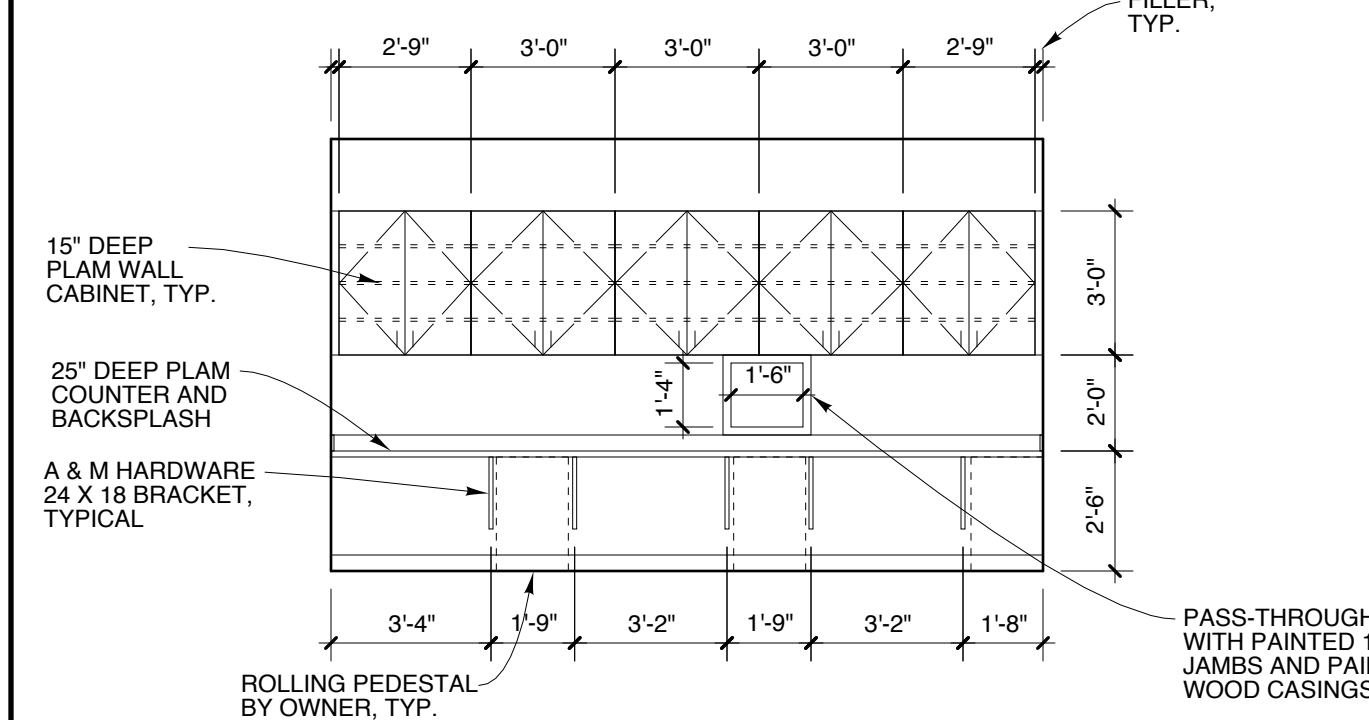
1 ELEVATION
SCALE: 1/4" = 1'-0"
1' 2' 4' 8'



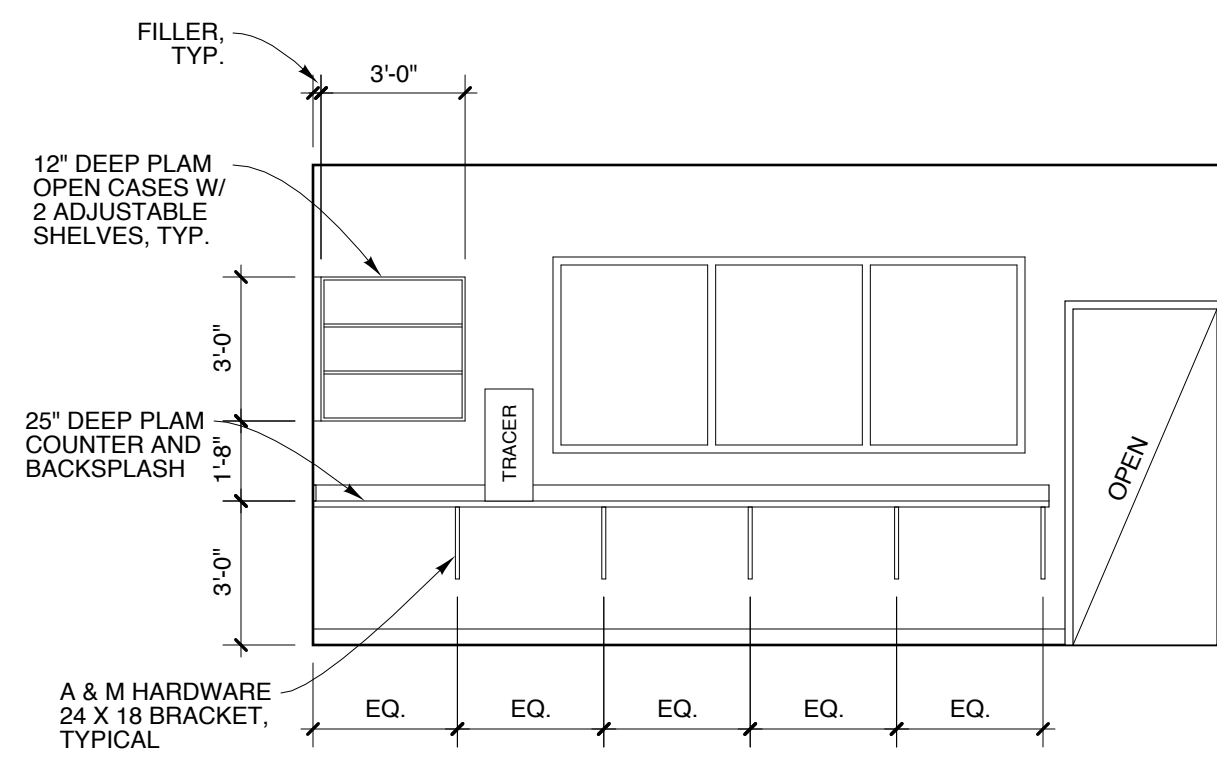
2 ELEVATION
SCALE: 1/4" = 1'-0"
1' 2' 4' 8'



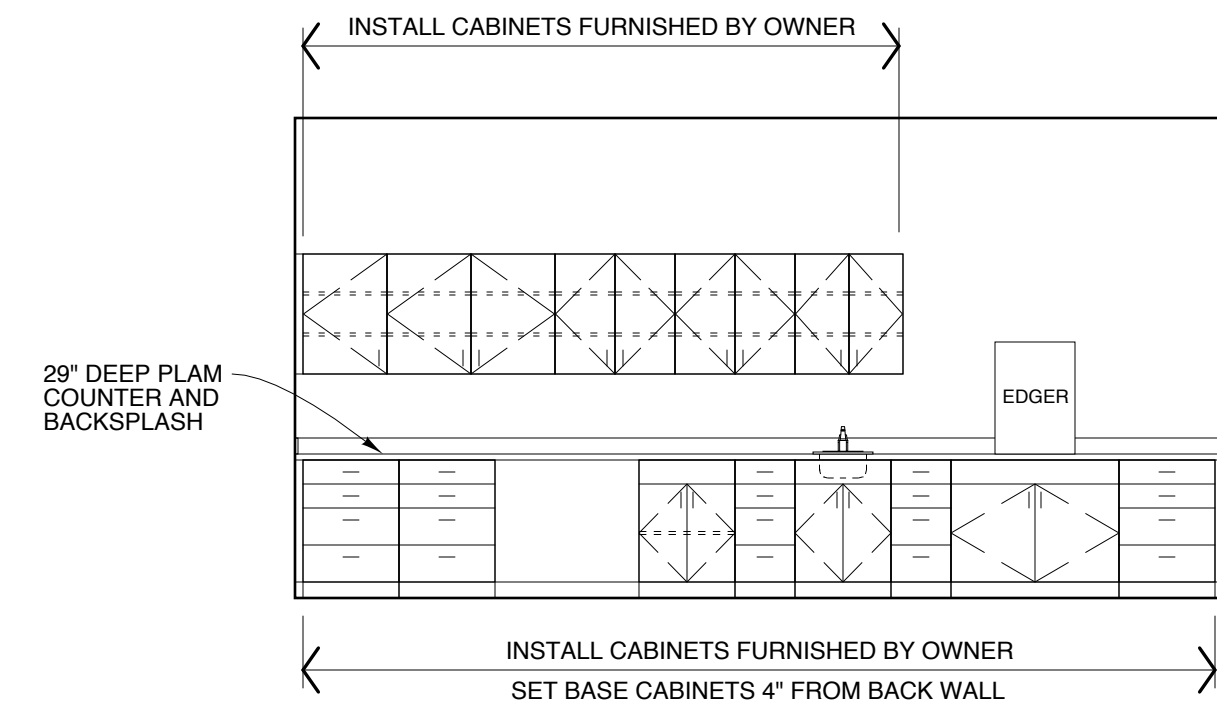
3 ELEVATION
SCALE: 1/4" = 1'-0"
1' 2' 4' 8'



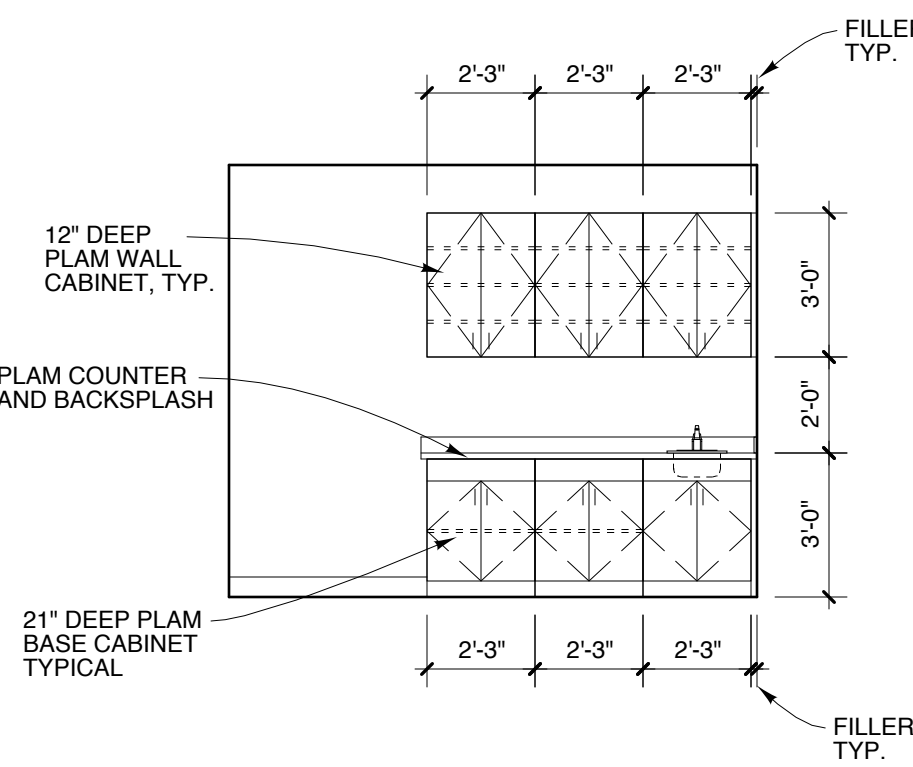
4 ELEVATION
SCALE: 1/4" = 1'-0"
1' 2' 4' 8'



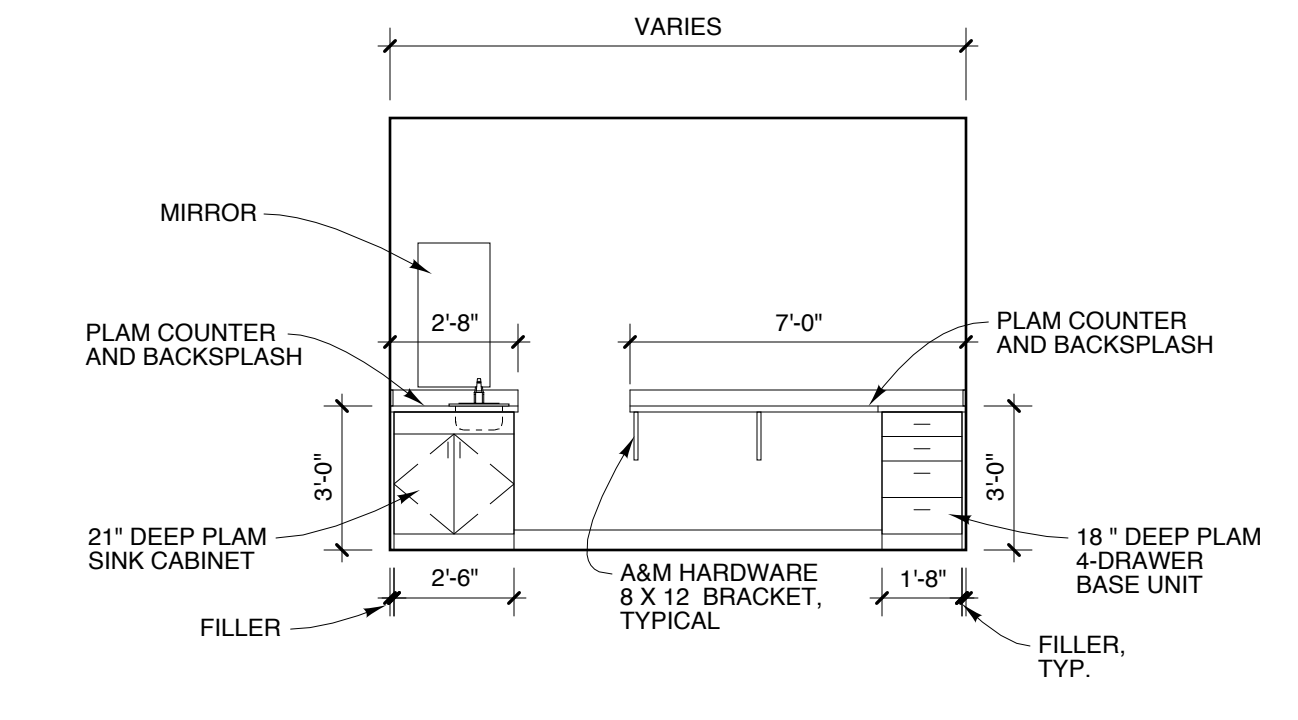
5 ELEVATION
SCALE: 1/4" = 1'-0"
1' 2' 4' 8'



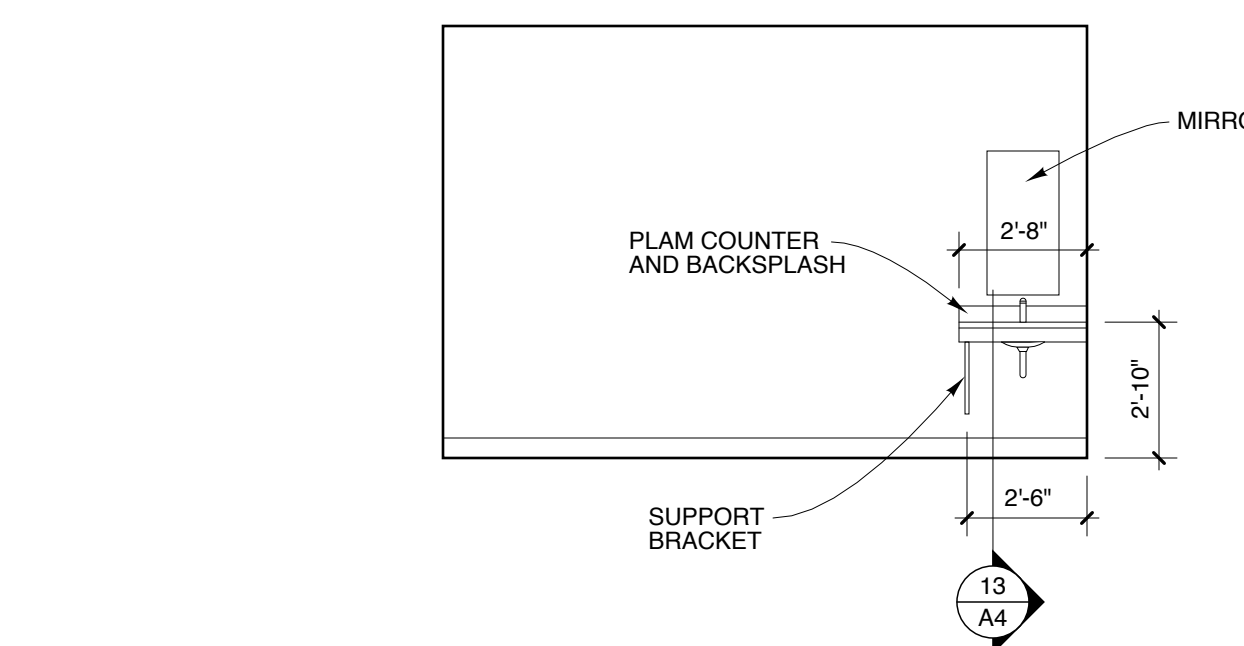
6 ELEVATION
SCALE: 1/4" = 1'-0"
1' 2' 4' 8'



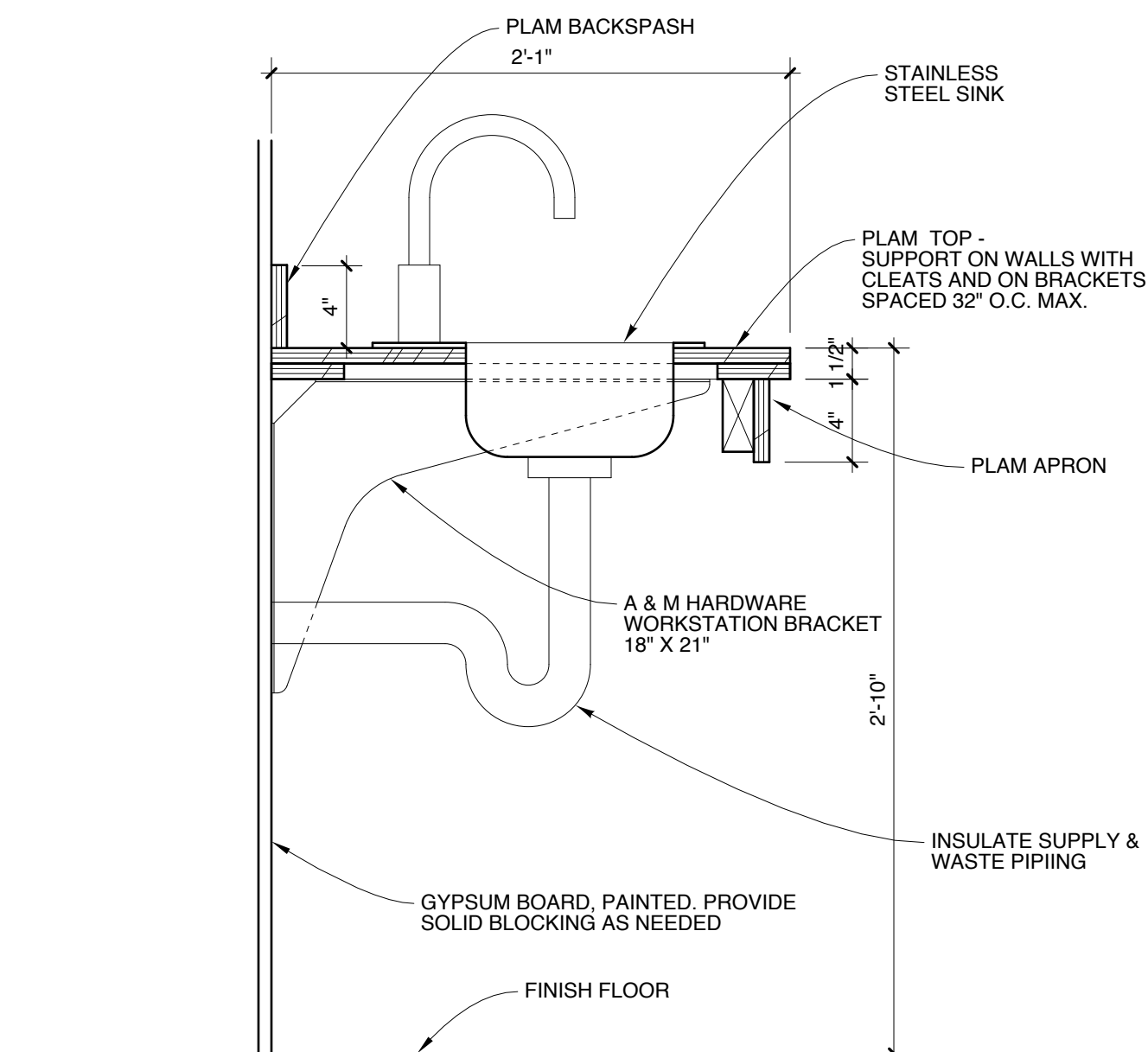
7 ELEVATION
SCALE: 1/4" = 1'-0"
1' 2' 4' 8'



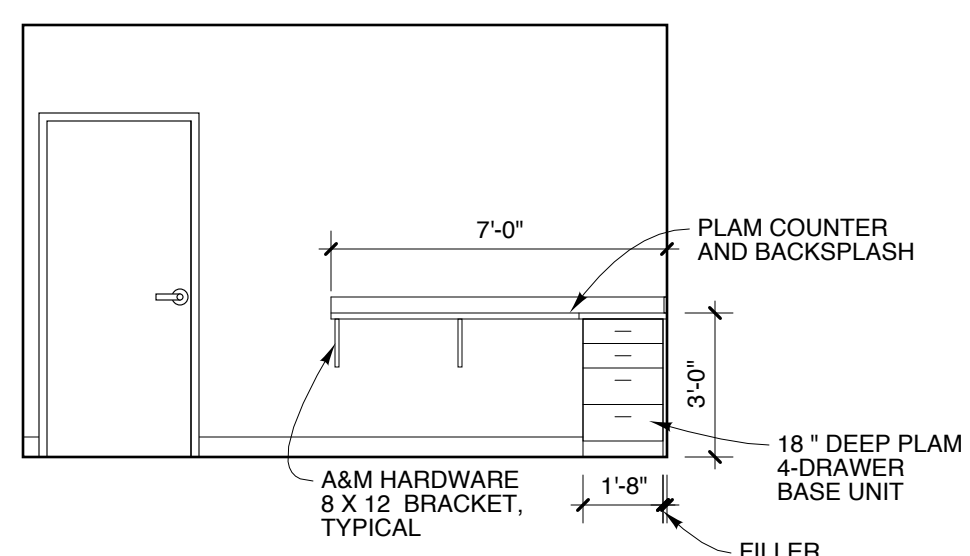
8 ELEVATION
SCALE: 1/4" = 1'-0"
1' 2' 4' 8'



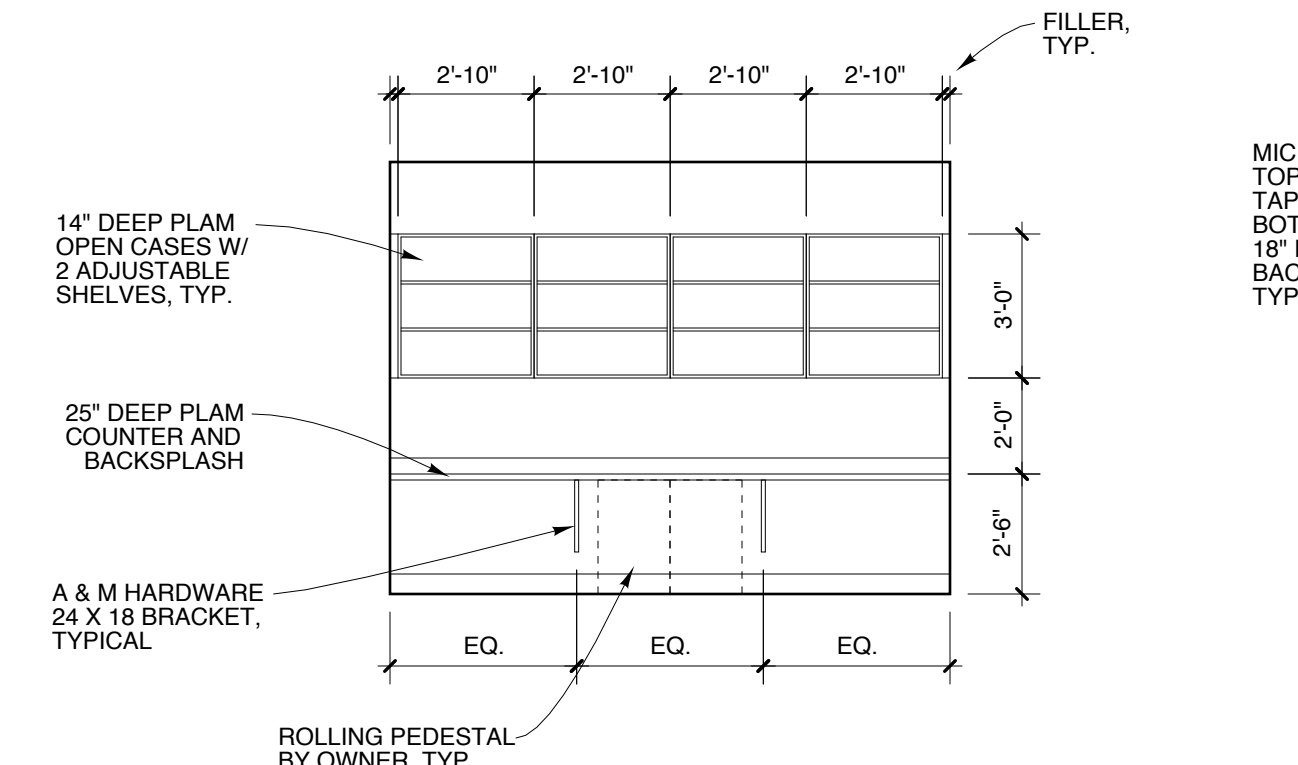
9 ELEVATION
SCALE: 1/4" = 1'-0"
1' 2' 4' 8'



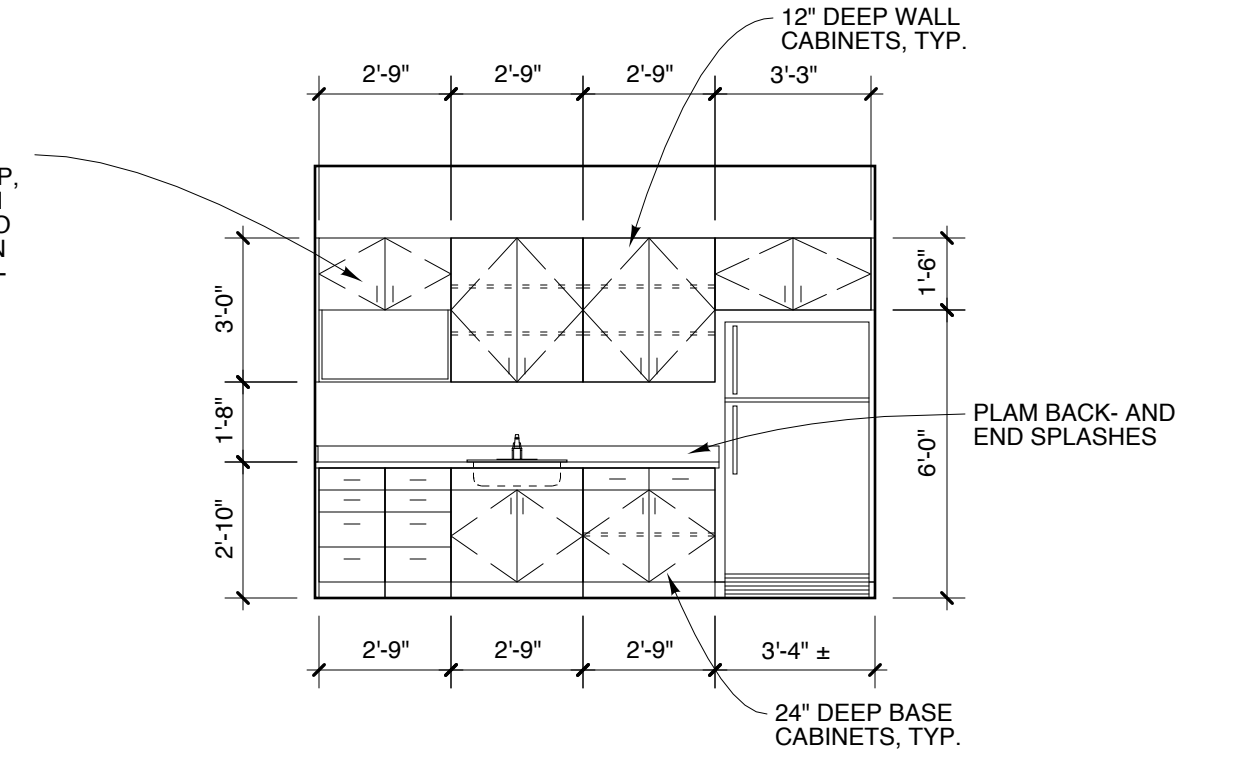
13 SECTION
SCALE: 3" = 1'-0"
2' 4' 8' 1'-4"



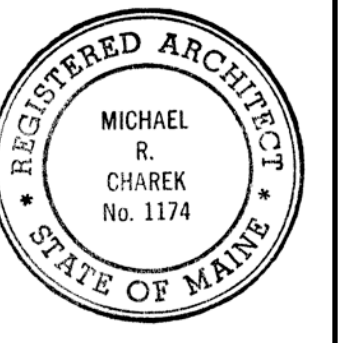
10 ELEVATION
SCALE: 1/4" = 1'-0"
1' 2' 4' 8'



11 ELEVATION
SCALE: 1/4" = 1'-0"
1' 2' 4' 8'



12 ELEVATION
SCALE: 1/4" = 1'-0"
1' 2' 4' 8'



Title
ELEVATIONS

Scale: AS NOTED

Date: 5/17/16

Revisions
ISSUED FOR CONSTRUCTION

Sheet

A4