
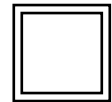

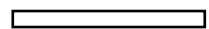
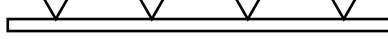



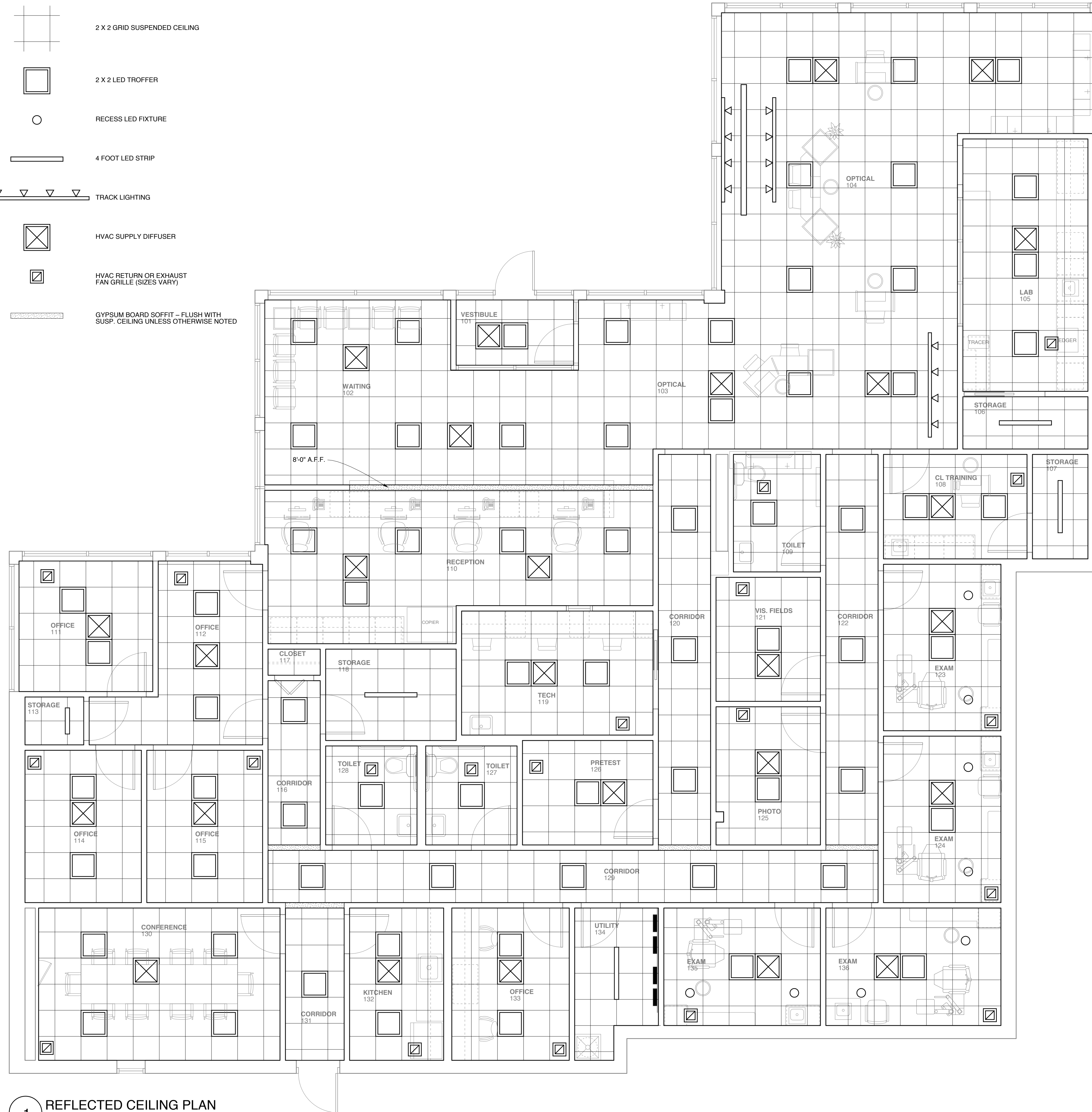


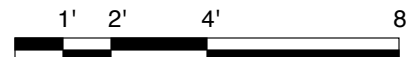
**REFLECTED CEILING PLAN GENERAL NOTES**

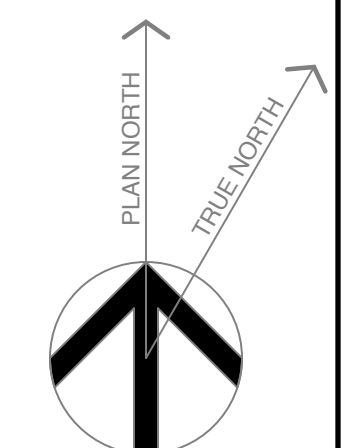
1. PLAN SHOWS CEILING GRID, LIGHT FIXTURE, AND HVAC LAYOUT ONLY.
2. SEE MECHANICAL AND ELECTRICAL PLANS FOR DETAILS ON HVAC AND LIGHTING ELEMENTS.

**REFLECTED CEILING PLAN LEGEND**

-  2 X 2 GRID SUSPENDED CEILING
-  2 X 2 LED TROFFER
-  RECESS LED FIXTURE
-  4 FOOT LED STRIP
-  TRACK LIGHTING
-  HVAC SUPPLY DIFFUSER
-  HVAC RETURN OR EXHAUST FAN GRILLE (SIZES VARY)
-  GYPSUM BOARD SOFFIT - FLUSH WITH SUSP. CEILING UNLESS OTHERWISE NOTED

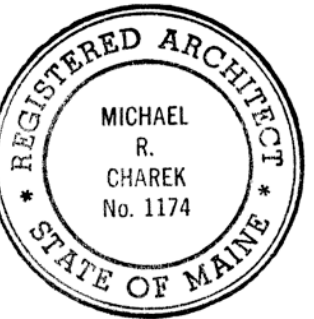


**1 REFLECTED CEILING PLAN**  
 SCALE: 1/4" = 1'-0"  




**Michael Charek Architects**

25 Hartley Street  
 Portland, Maine 04103  
 (207) 761-0556



**Offices for Casco Bay Eyecare**

1440 Congress Street  
 Portland, ME 04102

**Title**

REFLECTED CEILING PLAN

**Scale:** 1/4" = 1'-0"

**Date:** 5/17/16

**Revisions**

**ISSUED FOR CONSTRUCTION**

**Sheet**

**A2**