

# PLUMBING APPLICATION

57-D-34

Department of Health and Human Services  
Division of Environmental Health

## PROPERTY ADDRESS

Town or Plantation: Portland ME.  
Street Subdivision Lot #: 85 Gray St

## PROPERTY OWNERS NAME

Last: Delong First: Patrick

Applicant Name: Tim Davis Plumbing & Heating, Inc  
Mailing Address of Owner/Applicant (If Different): P.O. Box 255  
Lynn ME 04002

## Owner/Applicant Statement

I certify that the information submitted is correct to the best of my knowledge and understand that any falsification is reason for the Local Plumbing Inspector to deny a Permit.

[Signature] 12/10/10  
Signature of Owner/Applicant Date

PORTLAND  
Date Permit Issued: 12-10-10 PERMIT # 11506 TOWN COPY  
\$ 1144  If Double Fee Charged  
[Signature] Local Plumbing Inspector Signature L.P.I. # 1061

## Caution: Inspection Required

I have inspected the installation authorized above and found it to be in compliance with the Maine Plumbing Rules.

Local Plumbing Inspector Signature Date Approved

## PERMIT INFORMATION

|   |  |  |
|---|--|--|
| <b>This Application is for</b><br>1. <input checked="" type="checkbox"/> NEW PLUMBING<br>2. <input type="checkbox"/> RELOCATED PLUMBING | <b>Type of Structure To Be Served:</b><br>1. <input type="checkbox"/> SINGLE FAMILY DWELLING<br>2. <input type="checkbox"/> MODULAR OR MOBILE HOME<br>3. <input checked="" type="checkbox"/> MULTIPLE FAMILY DWELLING<br>4. <input type="checkbox"/> OTHER - SPECIFY _____ | <b>Plumbing To Be Installed By:</b><br>1. <input checked="" type="checkbox"/> MASTER PLUMBER<br>2. <input type="checkbox"/> OIL BURNERMAN<br>3. <input type="checkbox"/> MFG'D. HOUSING DEALER/MECHANIC<br>4. <input type="checkbox"/> PUBLIC UTILITY EMPLOYEE<br>5. <input type="checkbox"/> PROPERTY OWNER<br>LICENSE # <u>07706</u> |
|---|--|--|

| Hook-Up & Piping Relocation<br>Maximum of 1 Hook-Up  | Number | Column 2<br>Type of Fixture            | Number | Column 1<br>Type of Fixture     |
|--|--------|--|--------|---------------------------------|
| HOOK-UP: to public sewer in those cases where the connection is not regulated and inspected by the local Sanitary District.<br><br><b>OR</b><br><br>HOOK-UP: to an existing subsurface wastewater disposal system. |        | Hosebib / Sillcock                     |        | Bathtub (and Shower)            |
|  |        | Floor Drain                            | /      | Shower (Separate)               |
| PIPING RELOCATION: of sanitary lines, drains, and piping without new fixtures.   |        | Urinal                                 | /      | Sink                            |
|  |        | Drinking Fountain                      | /      | Wash Basin                      |
| <b>OR</b><br><br>TRANSFER FEE<br>[\$6.00]  |        | Indirect Waste                         | /      | Water Closet (Toilet)           |
|  |        | Water Treatment Softener, Filter, etc. |        | Clothes Washer                  |
|  |        | Grease / Oil Separator                 |        | Dish Washer                     |
|  |        | Roof Drain                             |        | Garbage Disposal                |
|  |        | Bidet                                  |        | Laundry Tub                     |
|  |        | Other: _____                           |        | Water Heater                    |
|  |        | Fixtures (Subtotal)<br>Column 2        |        | Fixtures (Subtotal)<br>Column 1 |
|  |        |  |        | Fixtures (Subtotal)<br>Column 2 |
|  |        |  |        | <b>Total Fixtures</b>           |
|  |        |  |        | Fixture Fee                     |
|  |        |  |        | Transfer Fee                    |
|  |        |  |        | Hook-Up & Relocation Fee        |
|  |        |  |        | <b>Permit Fee (Total)</b>       |

SEE PERMIT FEE SCHEDULE FOR CALCULATING FEE

\$34.00

\$10.00

40.00

\$44.00



FILL IN AND SIGN WITH INK

# APPLICATION FOR PERMIT HEATING OR POWER EQUIPMENT



To the INSPECTOR OF BUILDINGS, PORTLAND, ME.

The undersigned hereby applies for a permit to install the following heating, cooking or power equipment in accordance with the Laws of Maine, the Building Code of the City of Portland, and the following specifications:

Location / CBL 85 Gray St. Use of Building Residential Date 12/10/10  
 Name and address of owner of appliance Patrick Delong 85 Gray St Portland Me.  
 Installer's name and address Tim Davis P.O. Box 255 Lynon Me. 04002  
 Telephone 207-324-5237

### Location of appliance:

- Basement
- Attic
- Floor
- Roof

### Type of Fuel:

- Gas
- Oil
- Solid

Appliance Name: Munchie Contender MC120

U.L. Approved  Yes  No

Will appliance be installed in accordance with the manufacturer's installation instructions?  Yes  No

IF NO Explain: \_\_\_\_\_

DEC 13 2010

Dept. of Building Inspections  
City of Portland and Maine

### The Type of License of Installer:

- Master Plumber # \_\_\_\_\_
- Solid Fuel # \_\_\_\_\_
- Oil # \_\_\_\_\_
- Gas # PNT 4629
- Other \_\_\_\_\_

### Type of Chimney:

- Masonry Lined  
Factory built \_\_\_\_\_
- Metal  
Factory Built U.L. Listing # \_\_\_\_\_

Direct Vent  
Type PVC UL# MH 18082

### Type of Fuel Tank

- Oil
- Gas

Size of Tank Natural Gas

Number of Tanks \_\_\_\_\_

Distance from Tank to Center of Flame \_\_\_\_\_ feet.

Cost of Work: \$ 5,000.00

Permit Fee: \$ 70.00

### Approved

Fire: \_\_\_\_\_

Ele.: \_\_\_\_\_

Bldg.: \_\_\_\_\_

### Approved with Conditions

- See attached letter or requirement

Signature of Installer

Inspector's Signature

Date Approved

White - Inspection

Yellow - File

Pink - Applicant's

Gold - Assessor's Copy

MUNCHKIN

# CONTENDER

## Gas-fired Hot Water Circulating Heater

### Installation Manual

- *Installation*
- *Startup*
- *Maintenance*
- *Parts*

#### NOTICE

When installing Models manufactured after July 7th, 2008, you will notice additional selections on the Installer Menu of the Control that will not apply to this unit. DO NOT CHANGE THESE FACTORY SETTINGS. Refer to the Control Program Reference Chart within this manual for selections that apply to this model.



**H E A T T R A N S F E R P R O D U C T S , I N C .**

#### **⚠ WARNING**

This manual must only be used by a qualified heating installer/service technician. Read all instructions in this manual before installing. Perform steps in the order given. Failure to comply could result in severe personal injury, death or substantial property damage.

**PART 3: PREPARE MUNCHKIN CONTENDER LOCATION (CONTINUED)**

**NOTICE**

The Munchkin Contender Heater gas manifold and controls met safe lighting and other performance criteria when heater underwent tests specified in ANSI Z21.10.3 — latest edition.

**BEFORE LOCATING THE MUNCHKIN CONTENDER**

1. Check for nearby connection to:
  - System water piping
  - Venting connections
  - Gas supply piping
  - Electrical power
2. Check area around heater. Remove any combustible materials, gasoline and other flammable liquids.

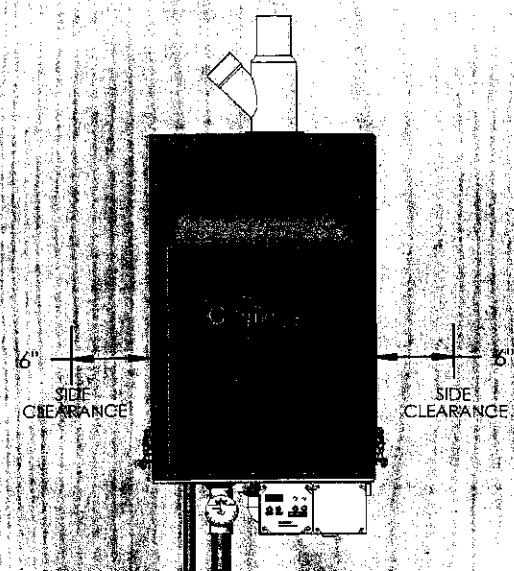
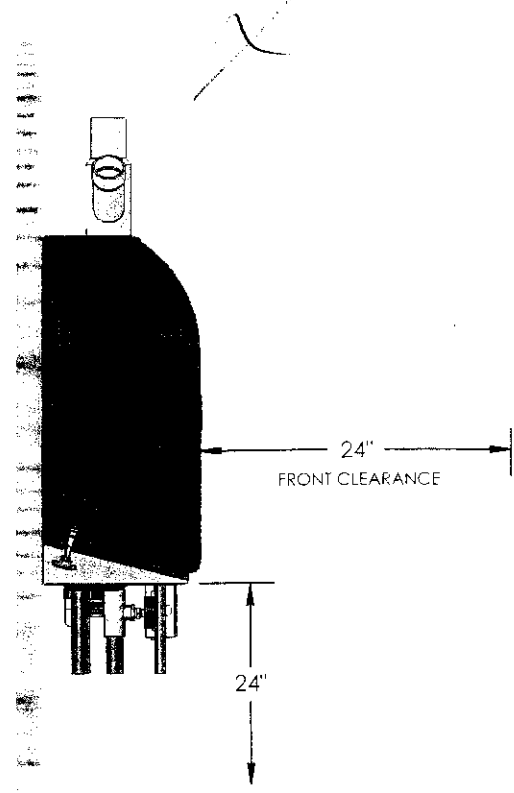
**⚠ WARNING**

Failure to keep heater area clear and free of combustible materials, gasoline and other flammable liquids and vapors can result in severe personal injury, death or substantial property damage.

3. The Munchkin Contender must be installed so that gas control system components are protected from dripping or spraying water or rain during operation or service.
4. If the new Munchkin Contender is to replace an existing heater, check for and correct any *existing* system problems such as:
  - System leaks.
  - Incorrectly-sized expansion tank.
  - Lack of freeze protection in heating water causing system and heater to freeze and leak.
  - Excessive glycol which will affect the heater system operation.

**C. CLEARANCES FOR SERVICE ACCESS**

1. See Figure 3-1 for recommended service clearances. If you do not provide minimum clearances shown, it might not be possible to service the heater without removing it from the space.



**Figure 3-1: Clearances required**

Fig. 7-3 Multiple Stainless Steel Horizontal Vent Kit Installation - Front View

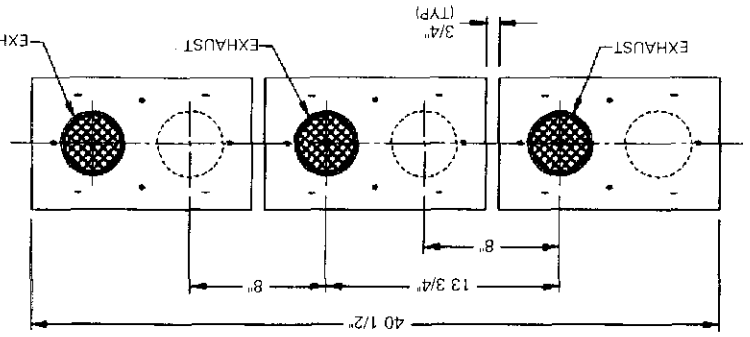


Figure 7-4: Multiple Heater Installations

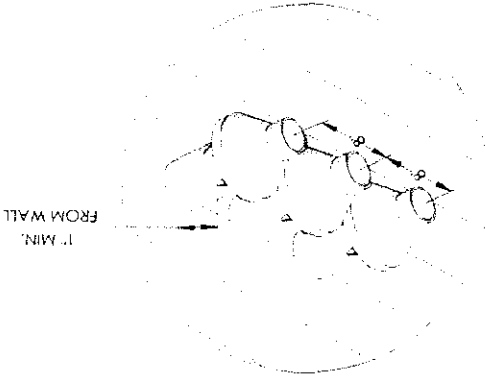


Fig. 7-2 Multiple Vent Spacing\*  
\*Note: Exhaust must extend out 1 foot

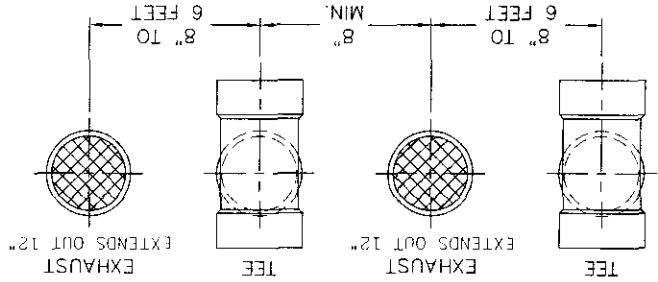
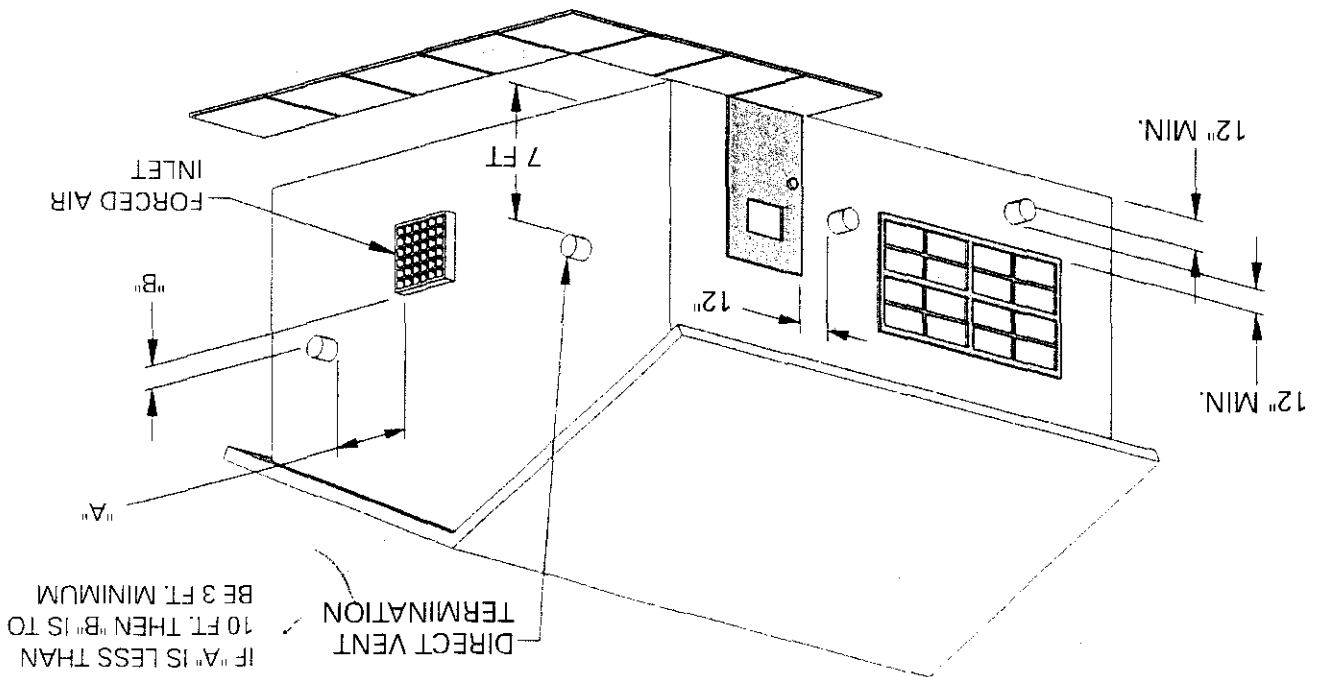


Fig. 7-1



Location of exit terminals of mechanical draft and direct-vent venting systems.  
(Reference: National Fuel Gas Code ANSI Z223.1/NFPA 54 2002).