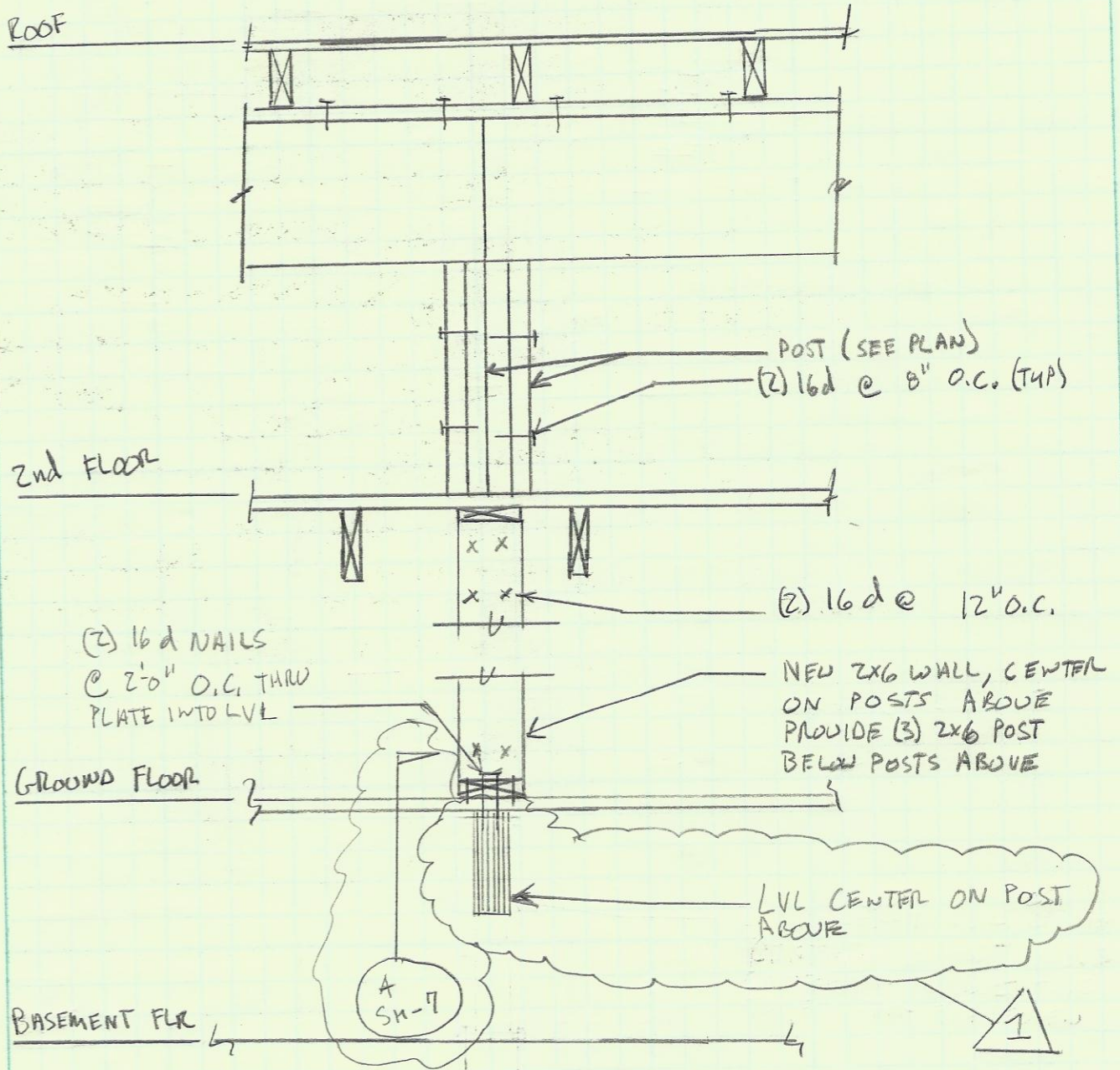
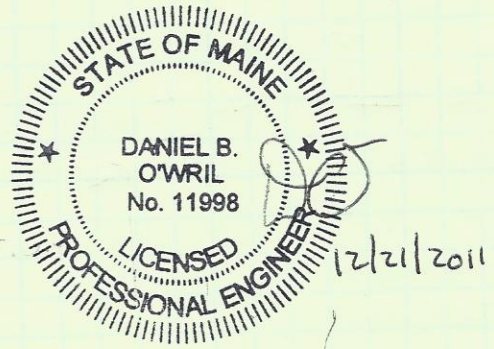


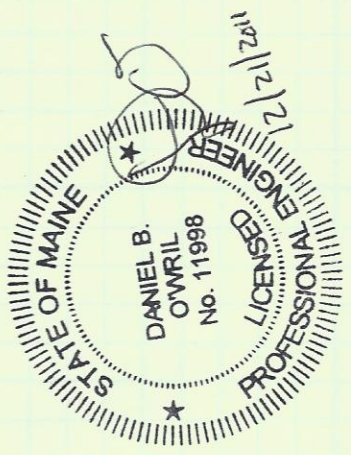
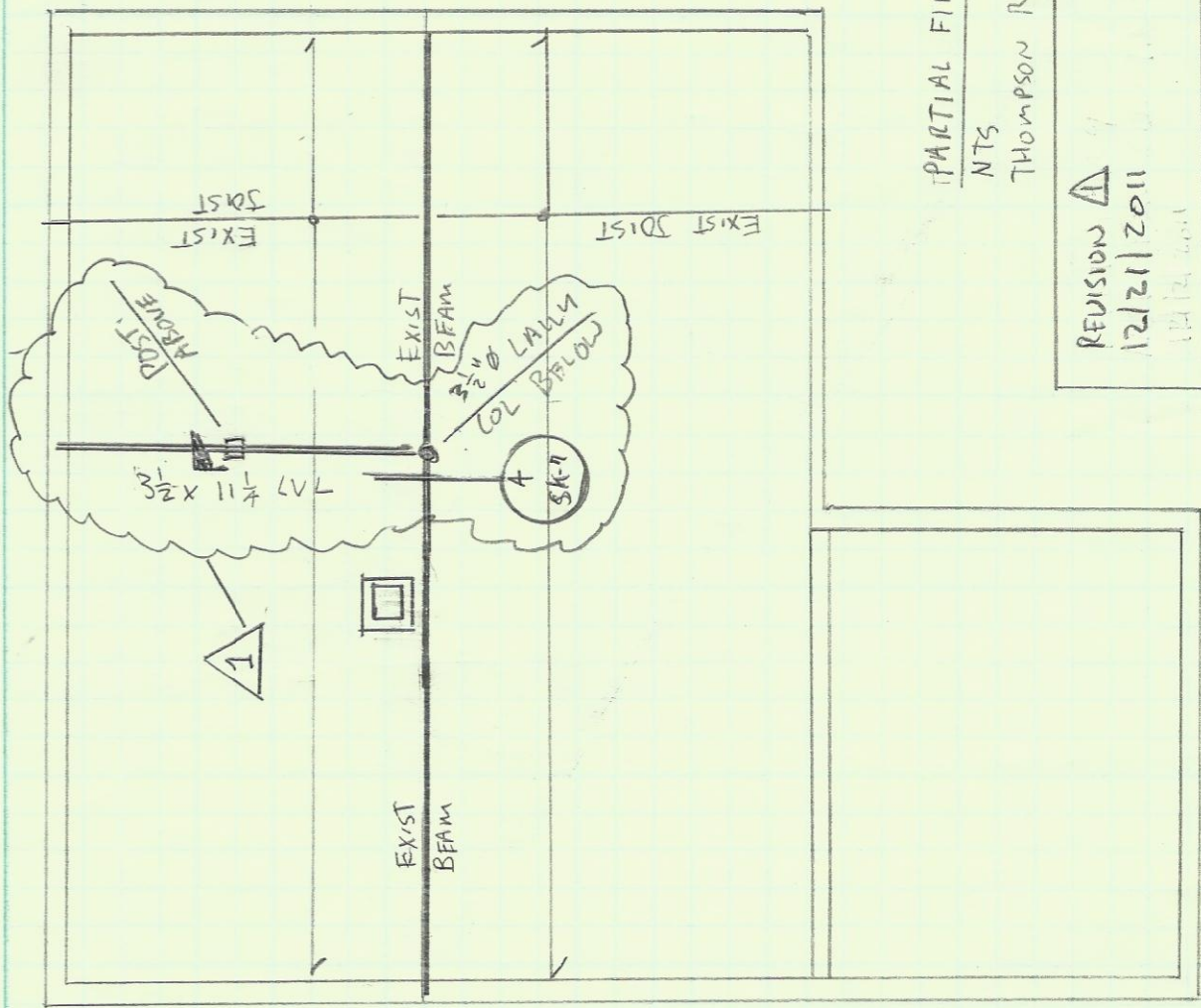
△ = REVISION 1, 12/21/2011



SECTION 2
3/4" = 1'-0"

SK-3
3 OF 5

AMPAD

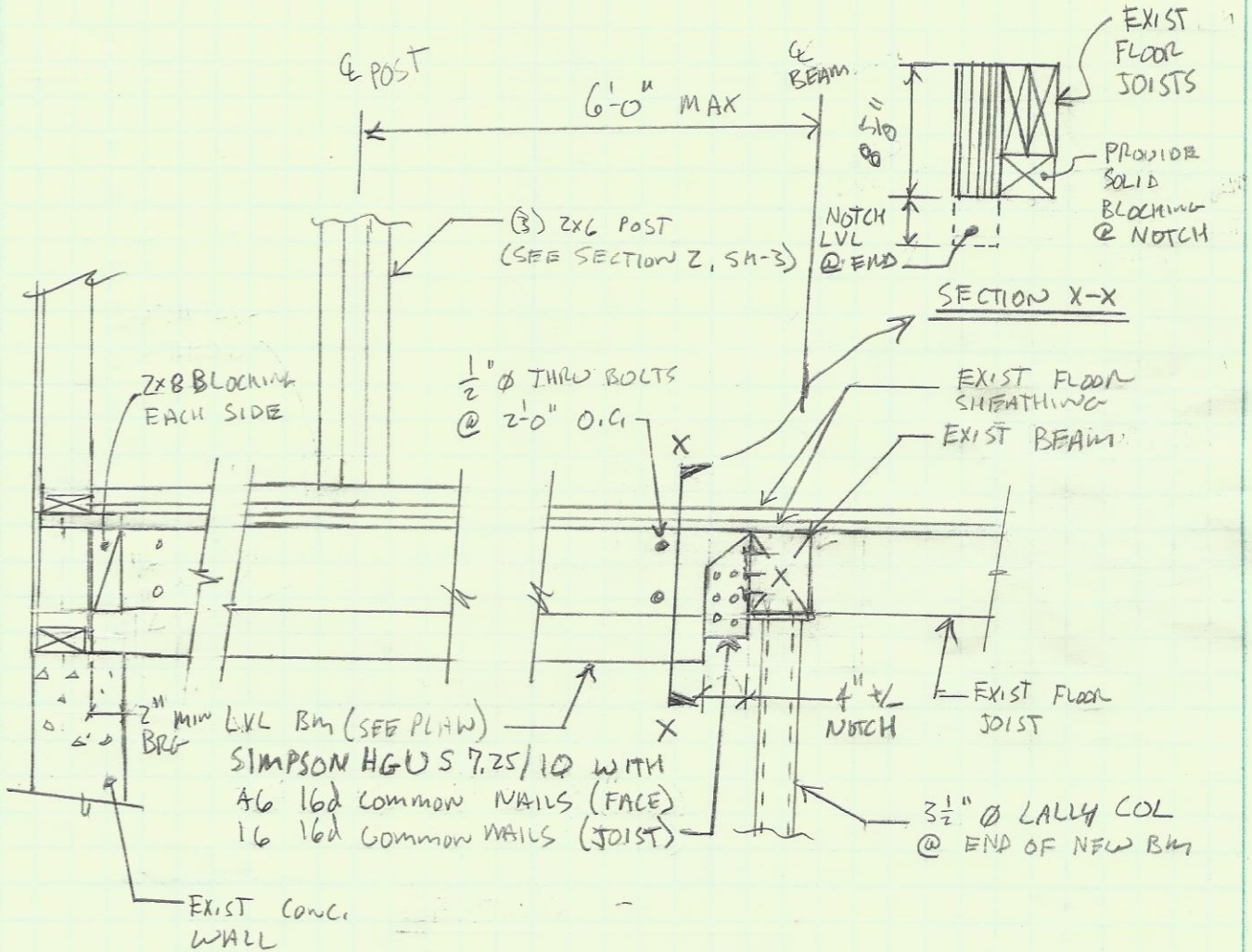


PARTIAL FIRST FLOOR FRAMING
 NTS
 THOMPSON RESIDENCE

REVISION Δ
 12/21/2011
 12/21/2011

SK-6

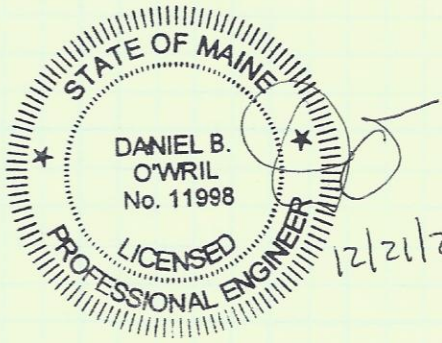
AMPAD



SECTION 4

N.T.S

REVISION 1
 12/21/2011



SK-7