

OWNER REVIEW

NAME \_\_\_\_\_ Date \_\_\_\_\_

\_\_\_\_\_

\_\_\_\_\_

\_\_\_\_\_

\_\_\_\_\_

\_\_\_\_\_

\_\_\_\_\_

\_\_\_\_\_

\_\_\_\_\_

\_\_\_\_\_

\_\_\_\_\_

\_\_\_\_\_

\_\_\_\_\_

\_\_\_\_\_

\_\_\_\_\_

\_\_\_\_\_

\_\_\_\_\_

\_\_\_\_\_

\_\_\_\_\_

05.30.08 ISSUED FOR BID

NO. DATE DESCRIPTION

ISSUE LOG

△ = CLOUDED CHANGE

**Banknorth**

1410 Congress Street  
Portland ME 04102

\_\_\_\_\_

\_\_\_\_\_

\_\_\_\_\_

\_\_\_\_\_

\_\_\_\_\_

\_\_\_\_\_

\_\_\_\_\_

\_\_\_\_\_

\_\_\_\_\_

\_\_\_\_\_

\_\_\_\_\_

SCALE \_\_\_\_\_ As indicated

DRAWN BY \_\_\_\_\_ ITK

CHECK BY \_\_\_\_\_

PROJ. ARCH/ENGR. \_\_\_\_\_

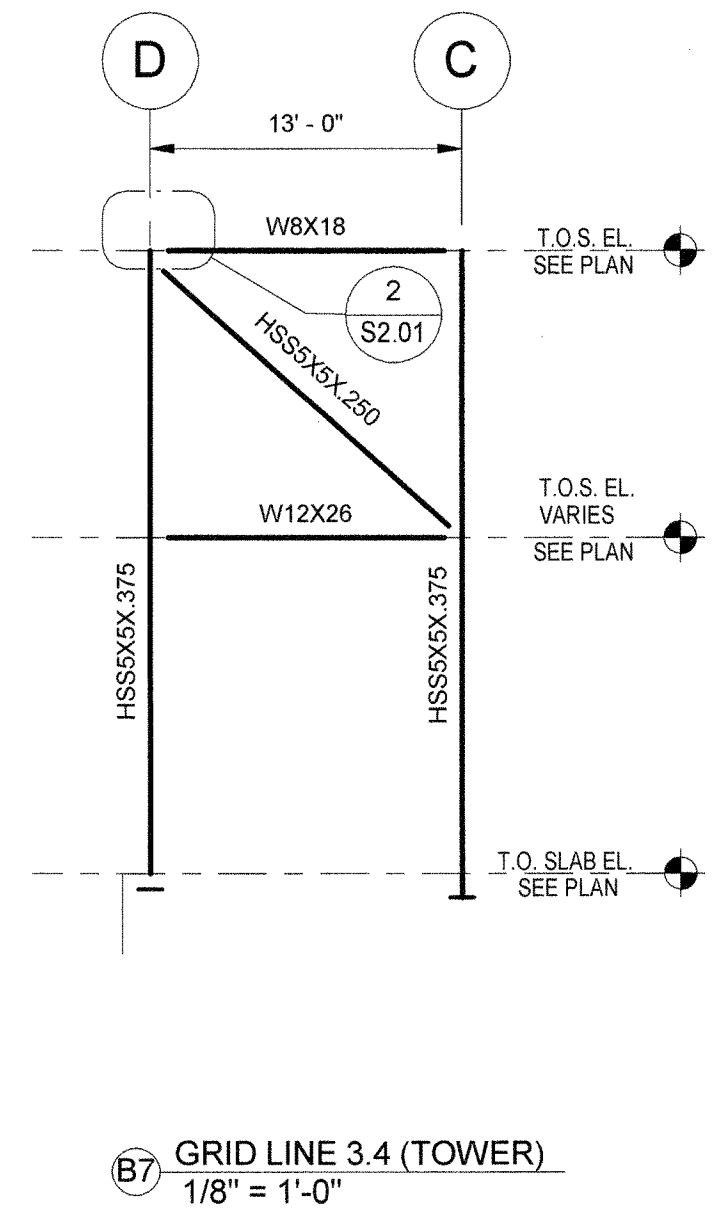
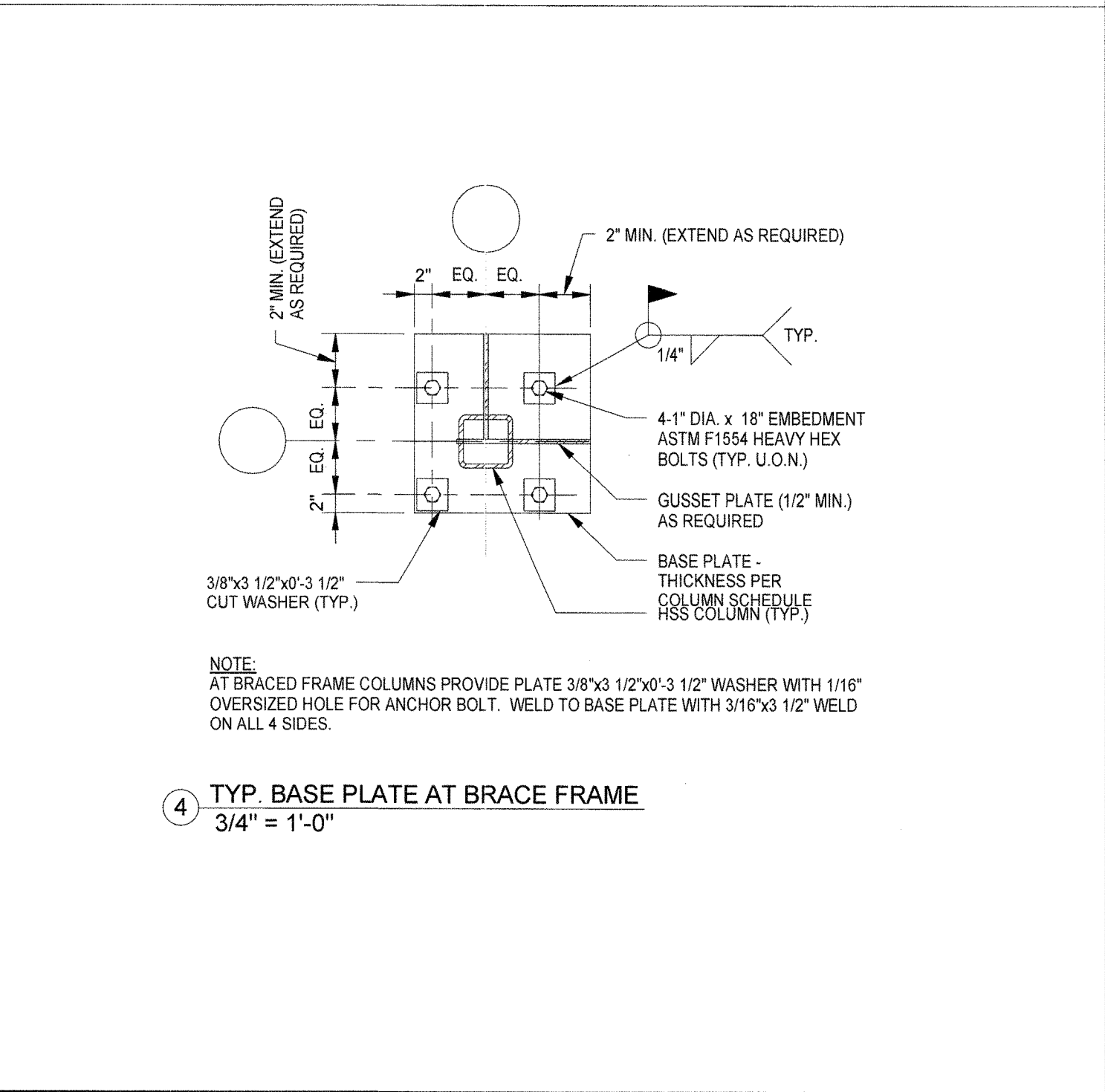
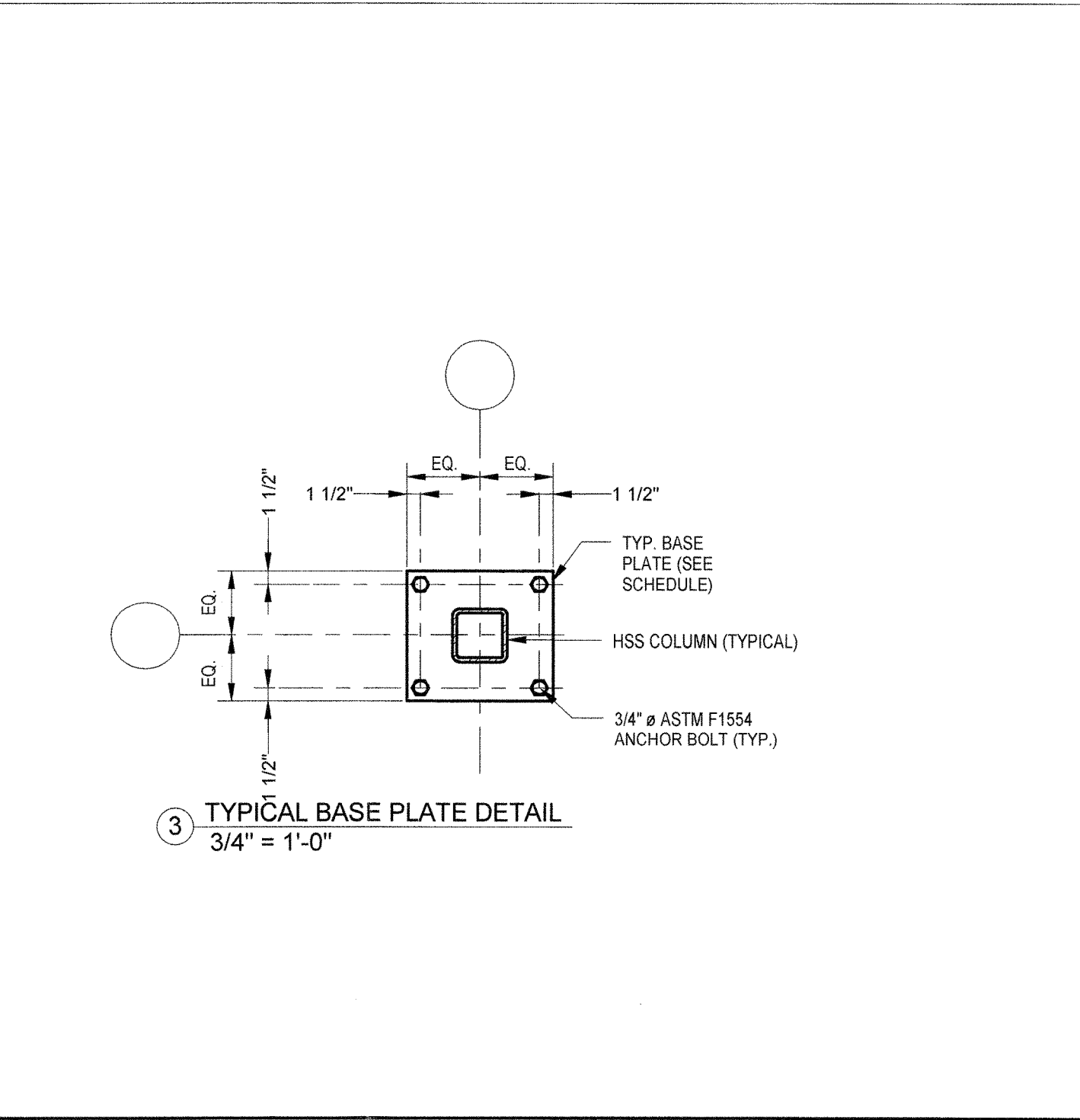
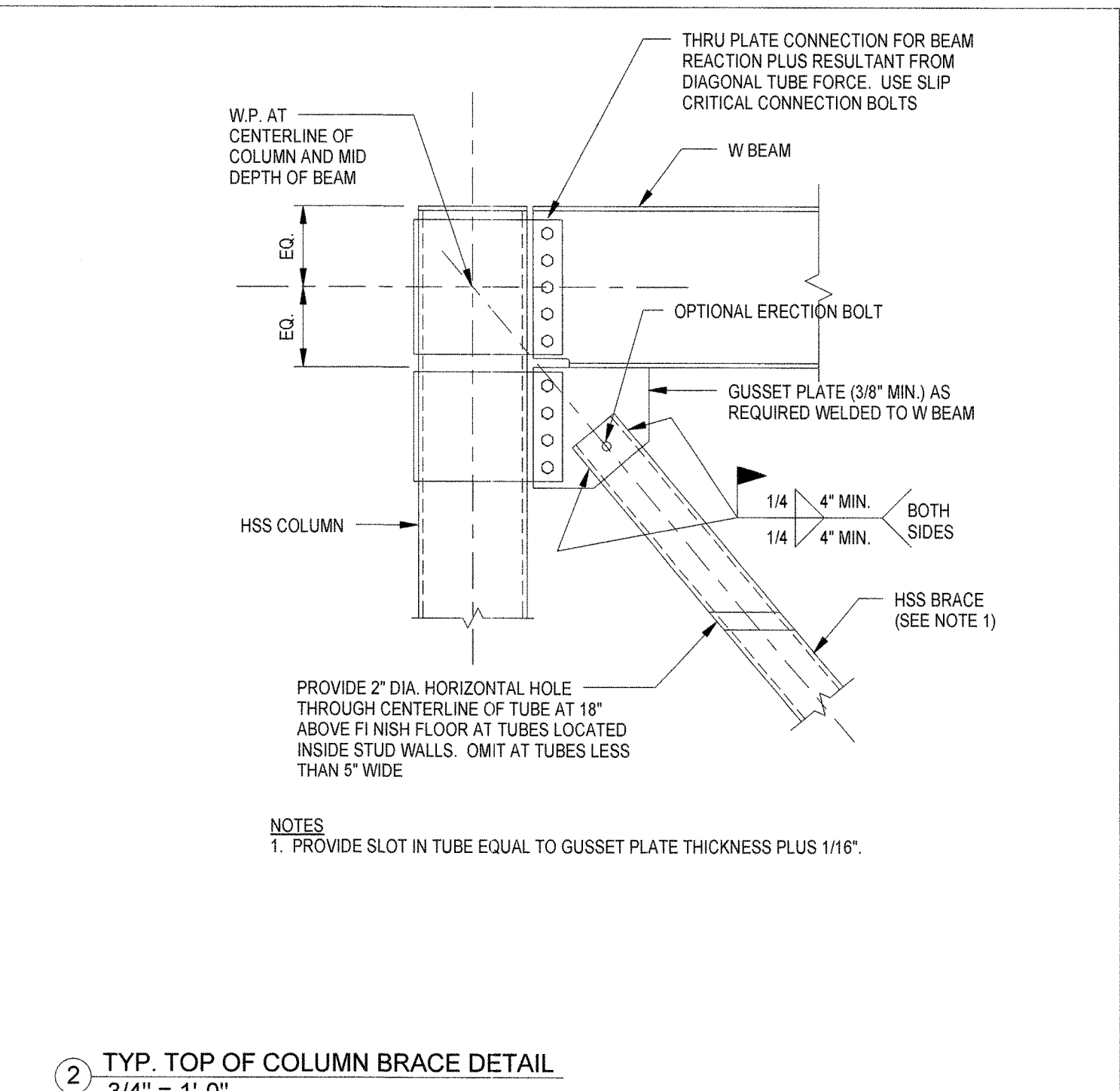
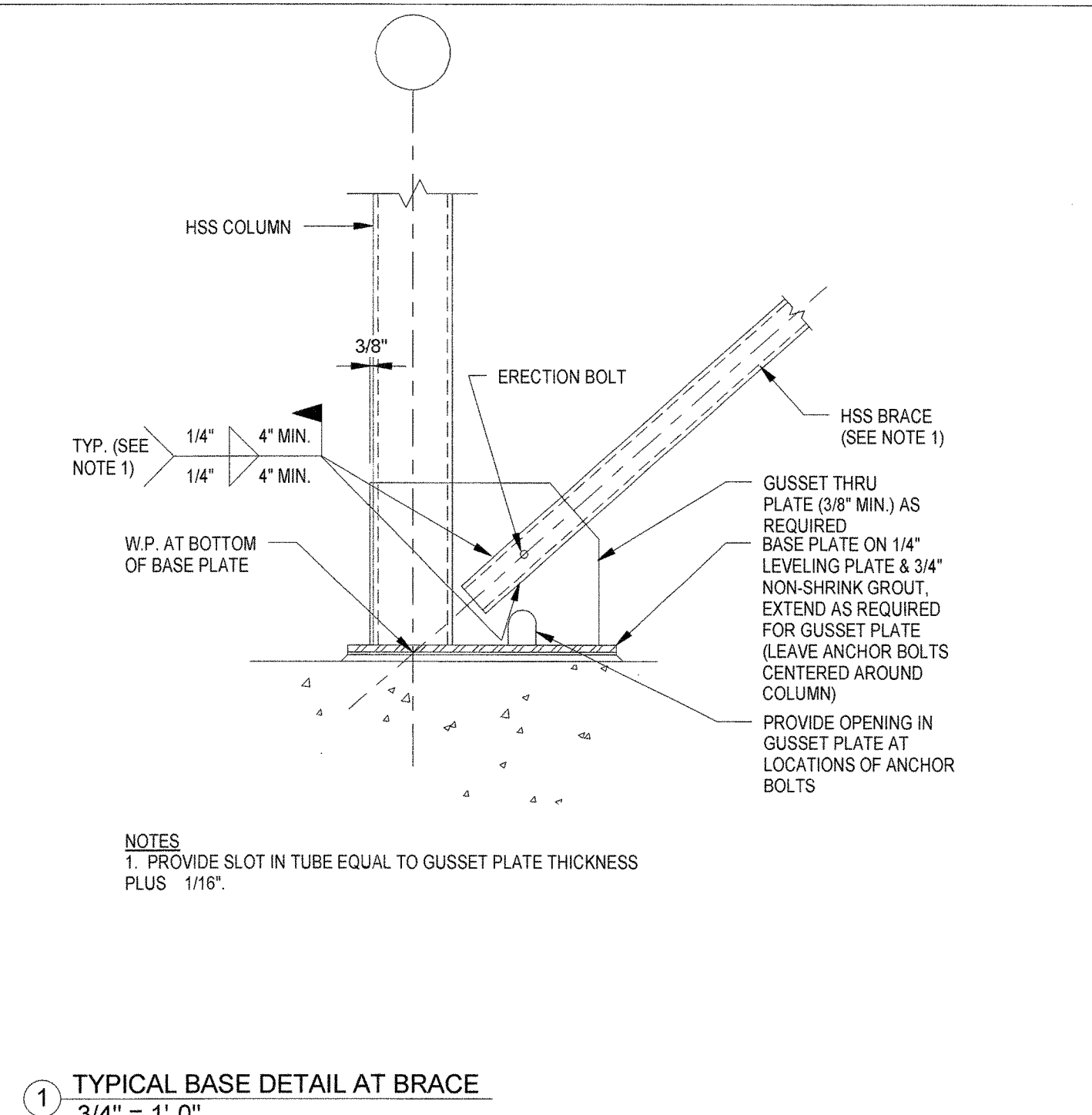
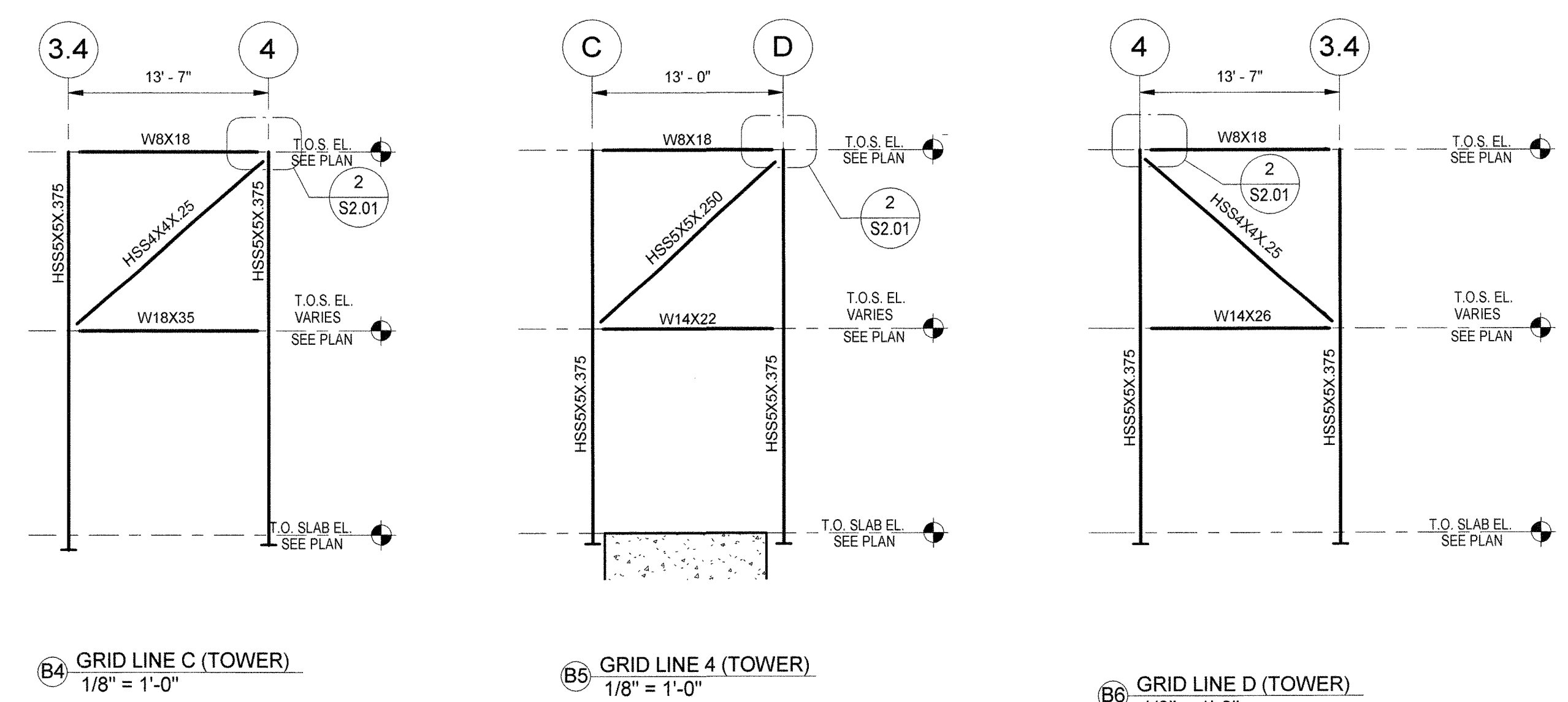
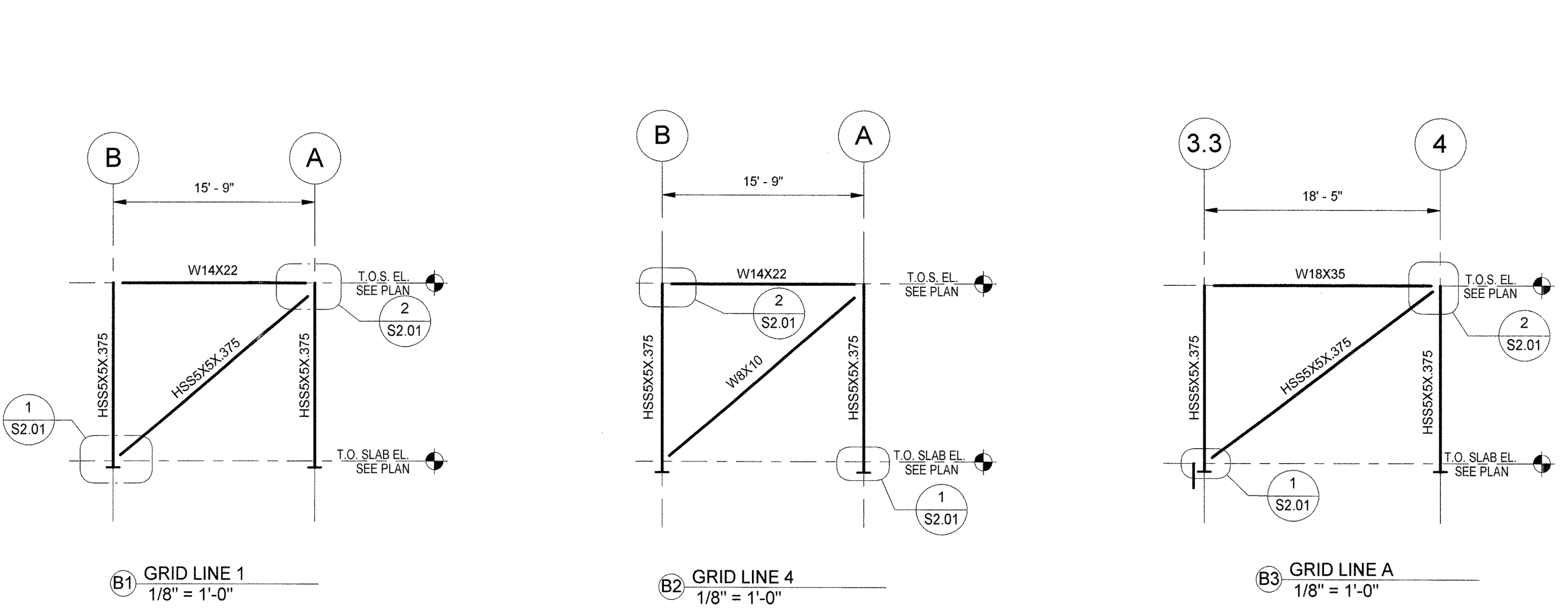
PROJ. MGR. \_\_\_\_\_

JOB NO. 07133.00

© SYMMES, MAINI & MCKEE ASSOCIATES, INC. 2008

**BRACING ELEVATIONS AND DETAILS**

S2.01



**BRACE ELEVATIONS**

NOTES:

- ELEVATIONS ARE SCHEMATIC ONLY AND INTENDED TO SHOW BENT CONFIGURATION, BENT SIZE, AND BRACE FORCE. FABRICATOR IS RESPONSIBLE FOR CONNECTION DESIGN.
- DESIGN DIAGONAL MEMBER CONNECTIONS FOR AXIAL DESIGN FORCE (TENSION OR COMPRESSION) SHOWN BELOW EACH MEMBER SIZE. 33% INCREASE IN ALLOWABLE STRESSES IS NOT PERMITTED IN CONNECTION DESIGN.
- BOLTED CONNECTIONS IN BRACED FRAMES SHALL BE DESIGNED AS SLIP CRITICAL CONNECTIONS.
- DO NOT WELD TOP END OF DIAGONAL BRACE MEMBERS IN PLACE UNTIL FLOOR SLABS AND ROOFING DECK ARE IN PLACE. WELDS MUST BE FULLY INSPECTED AND APPROVED PRIOR TO PLACING ANY CONCRETE OR INSTALLING OTHER MATERIALS THAT WILL COVER THE WELDS.
- SEE PLANS FOR COLUMN AND BEAM SIZES.
- (B) INDICATES BASE PLATE CONFIGURATION.