

REVISION TAG

Name Elevation

CEILING HEIGHT TAG

DETAIL REFERENCE

INTERIOR ELEVATION

ROOM TAG

DOOR NUMBER

WINDOW TYPE

PARTITION TYPE

DETAIL TAG

DETAIL SECTION TAG

BUILDING SECTION TAG

VIEW TITLE

STRUCTURAL GRID BUBBLE

1 A101

Room Name 101

101

1

1

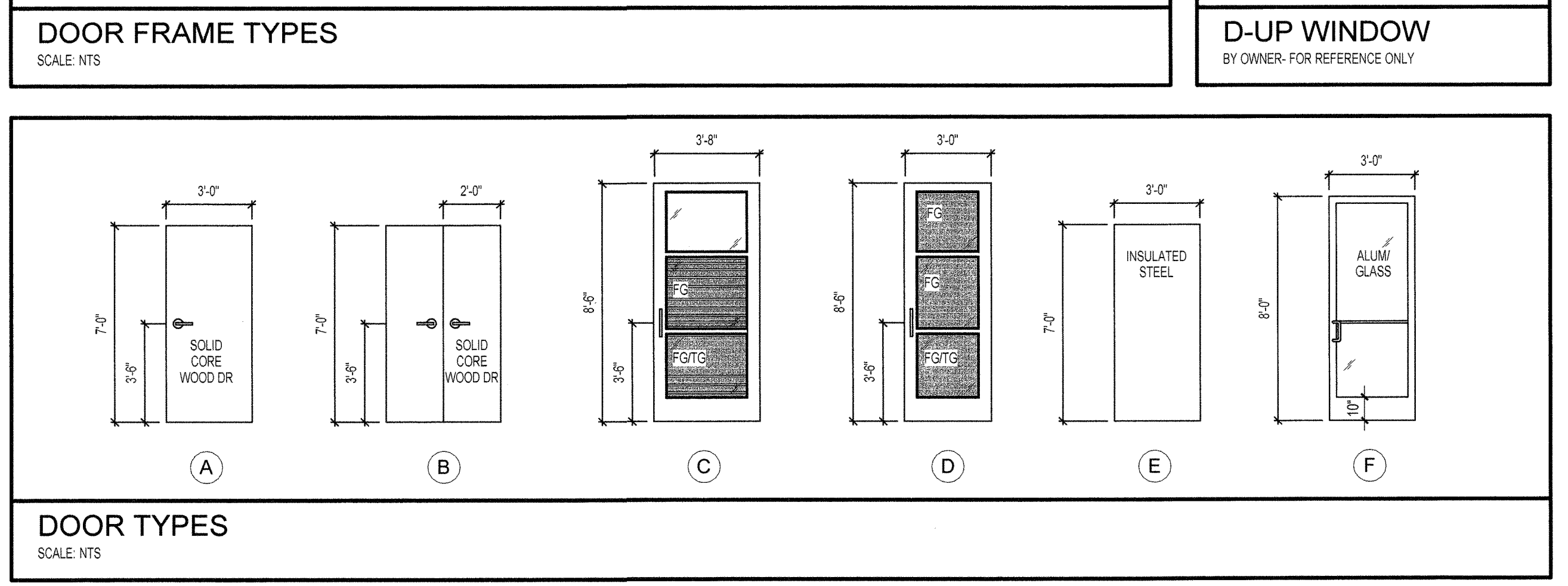
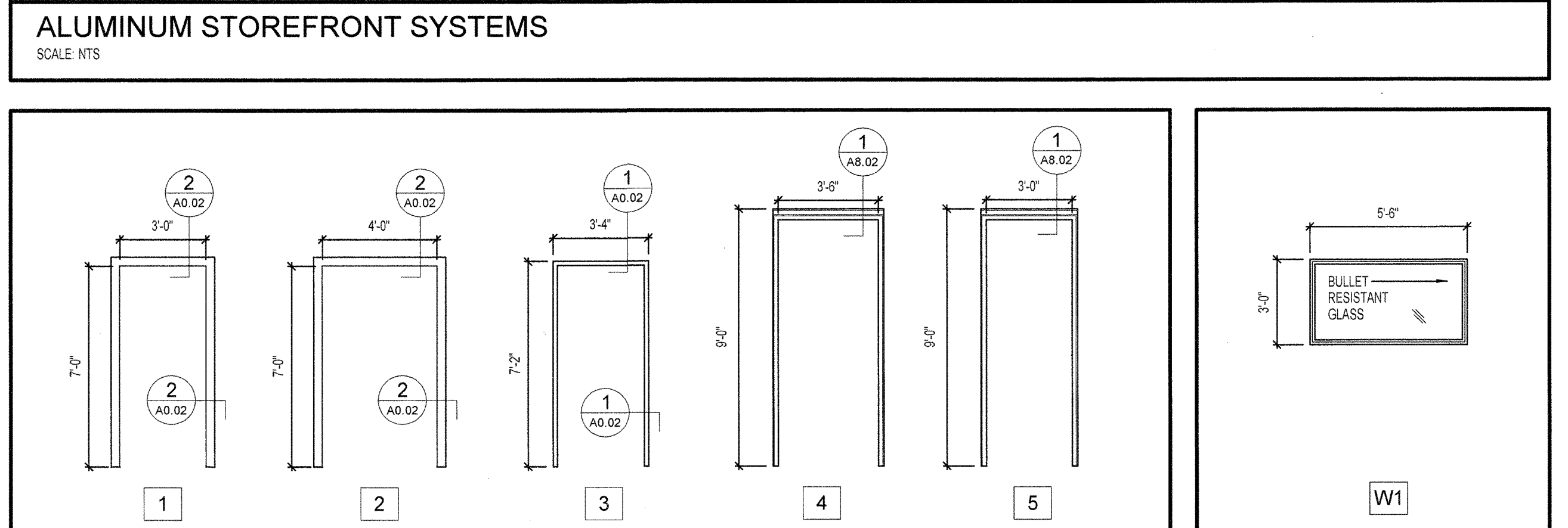
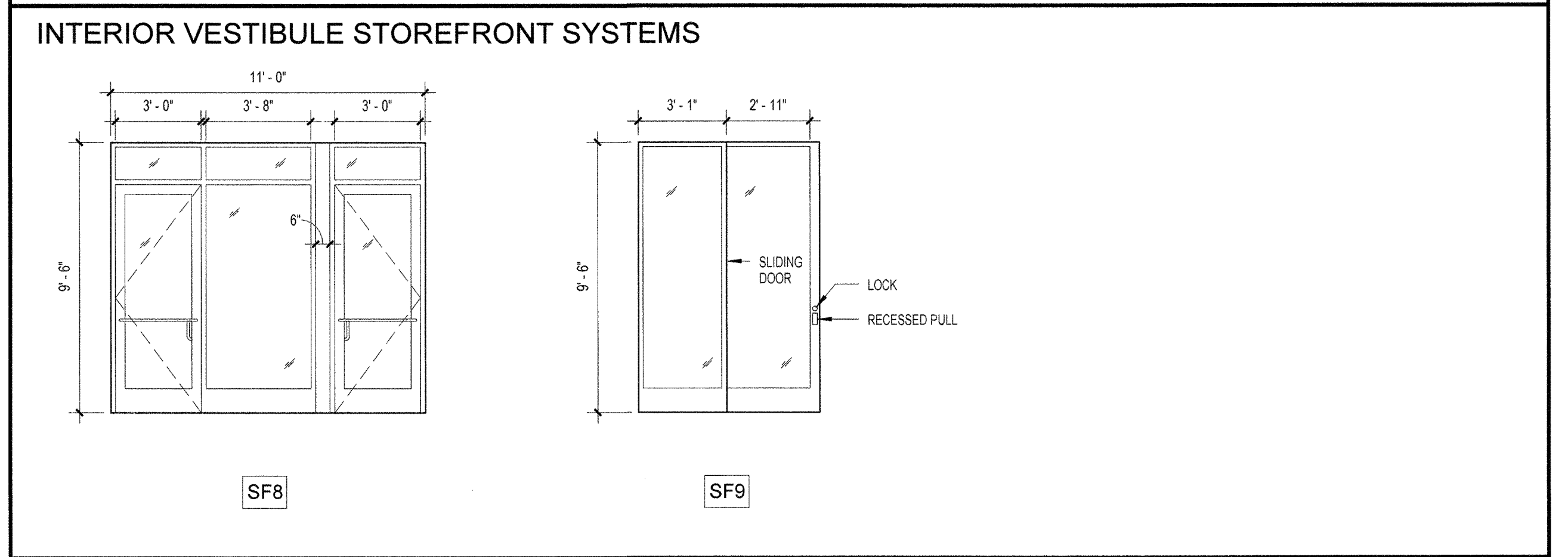
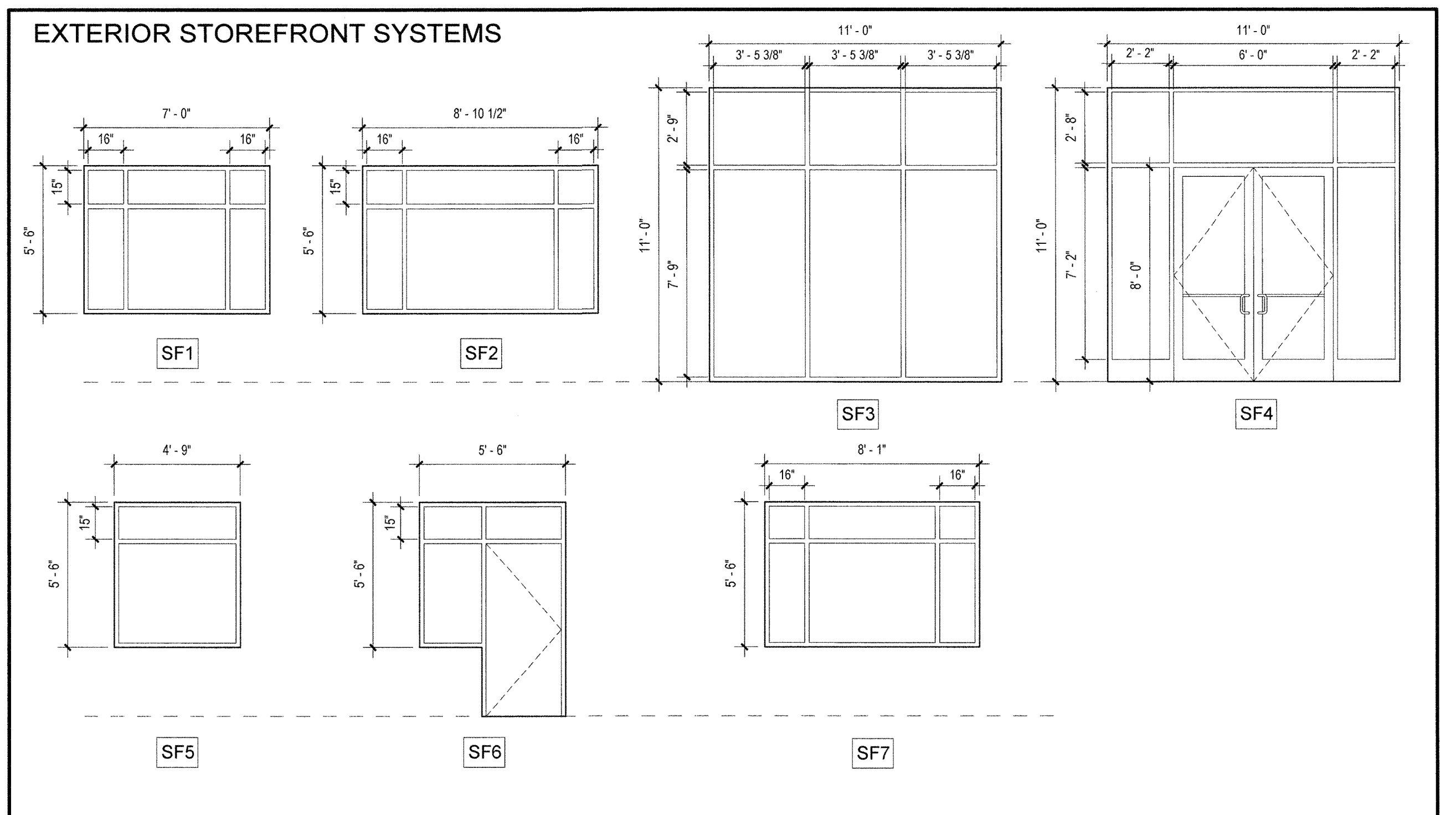
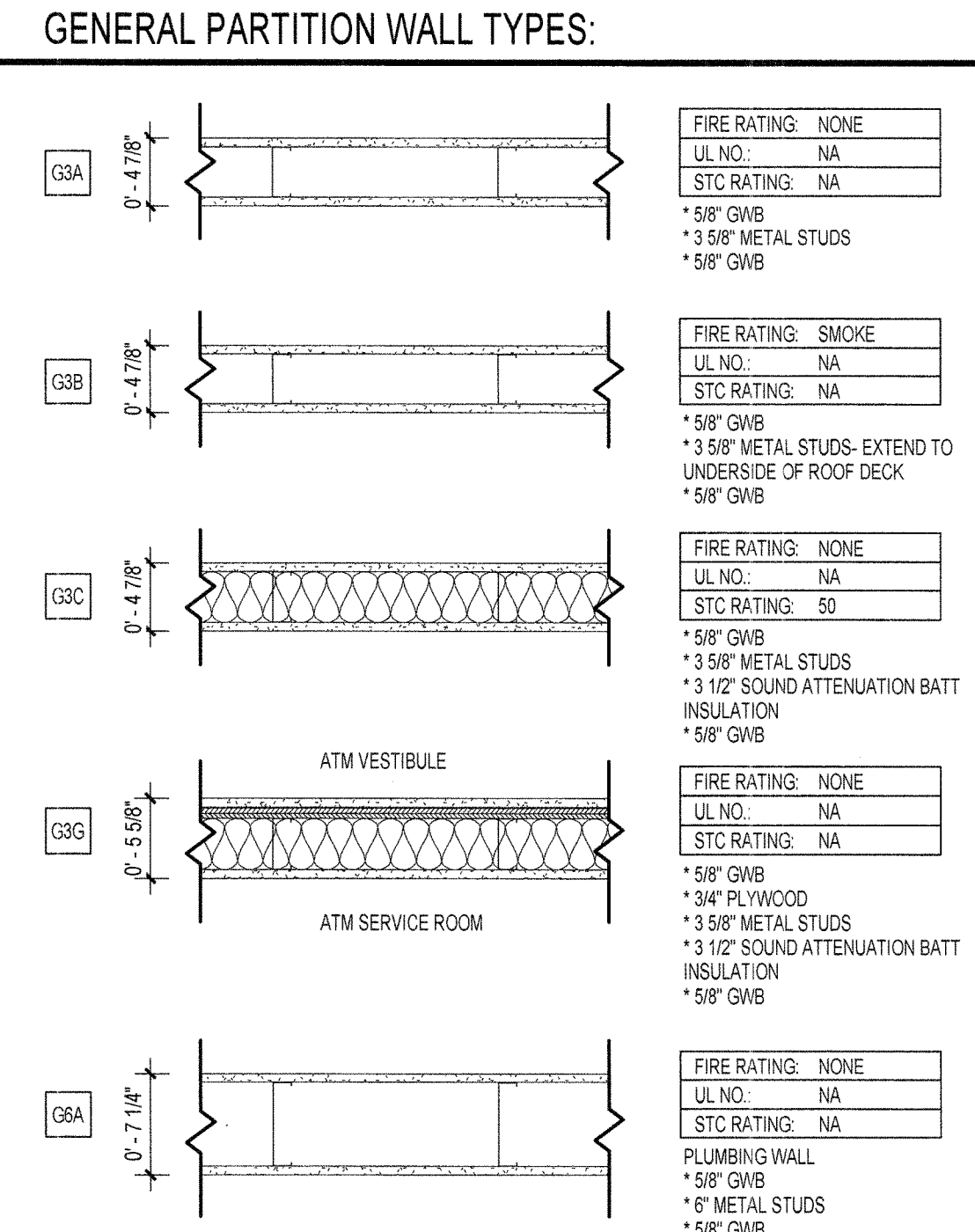
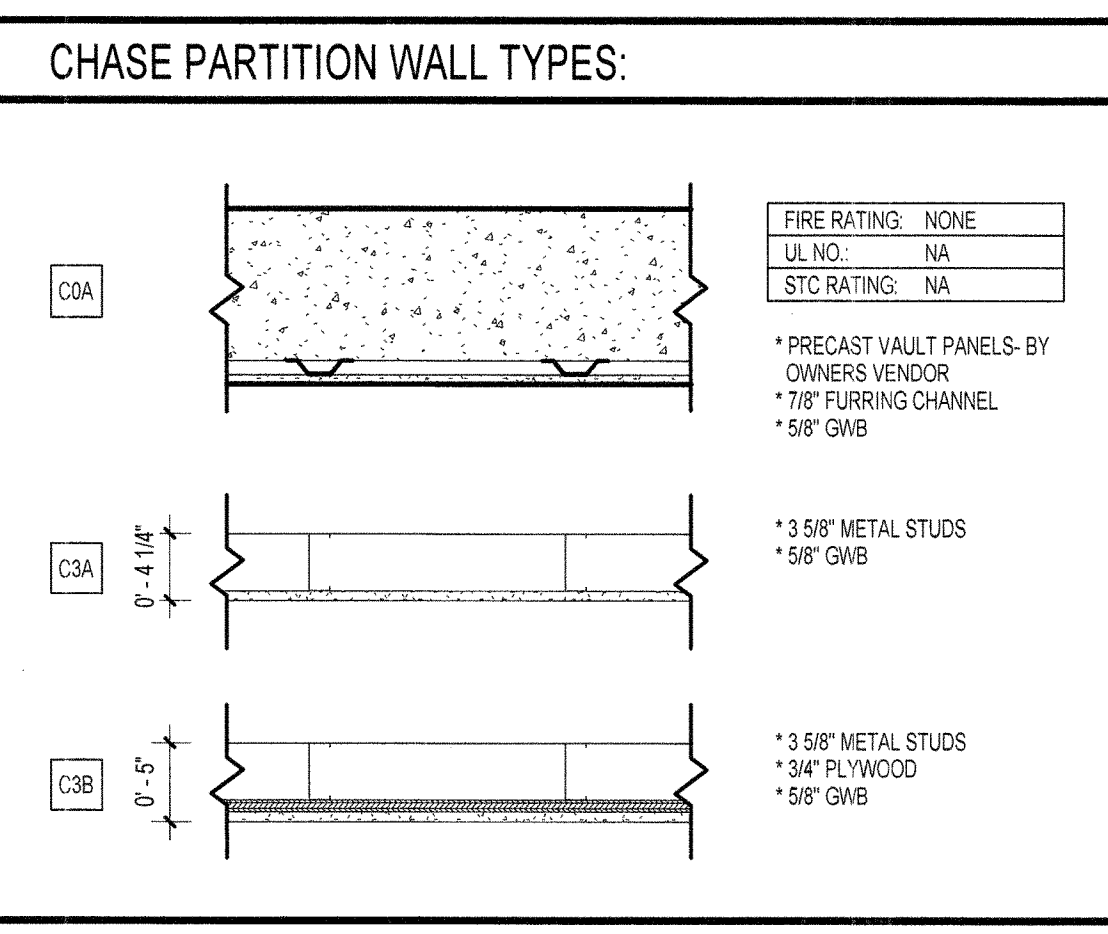
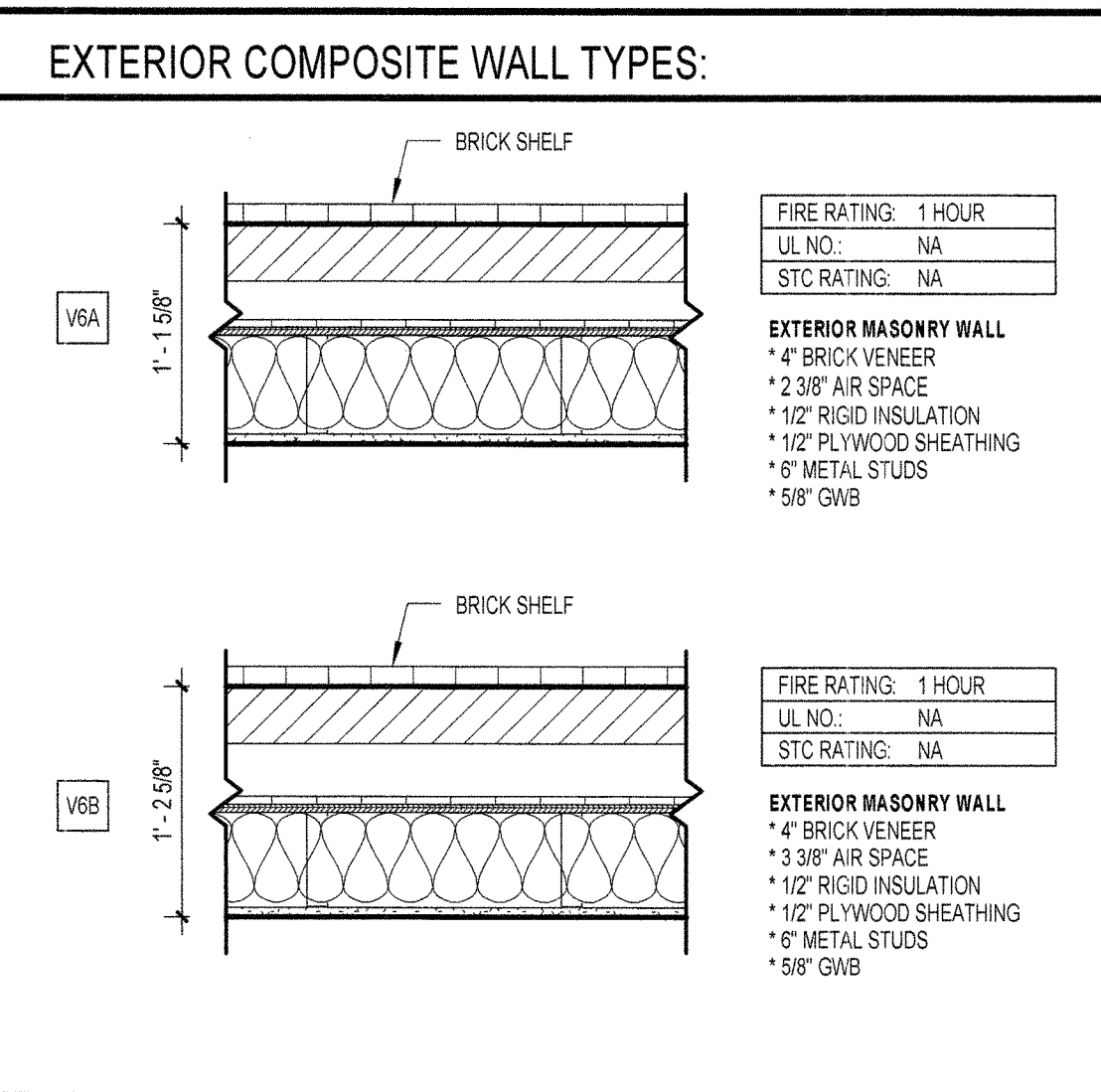
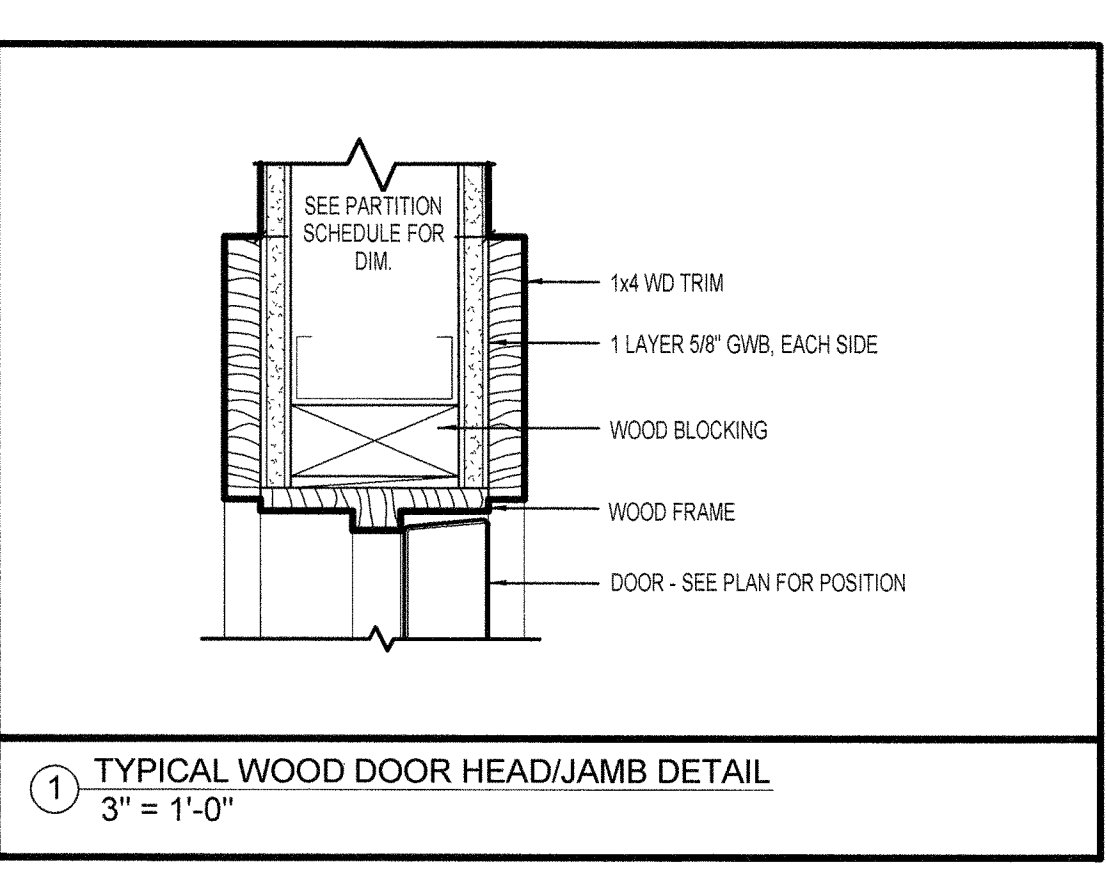
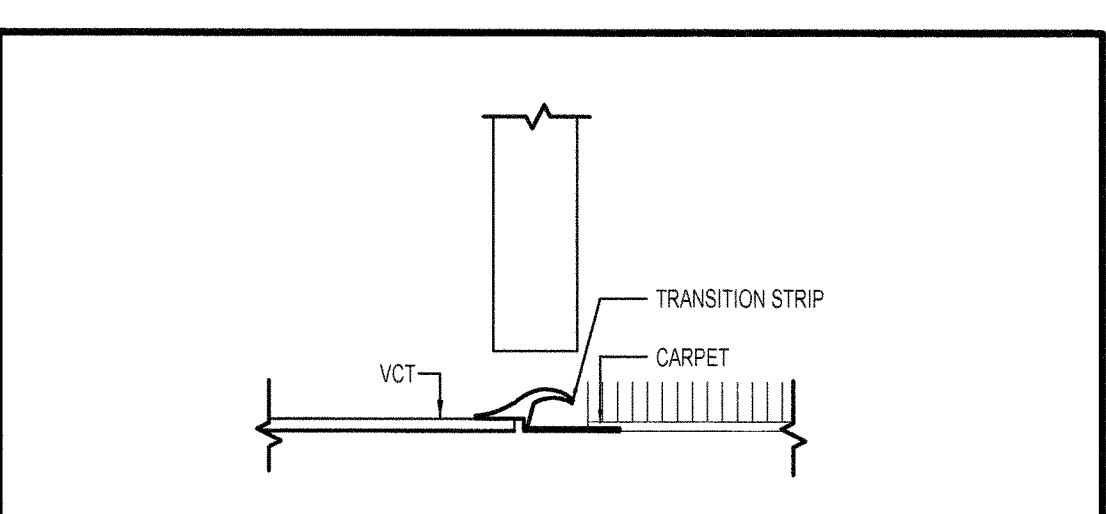
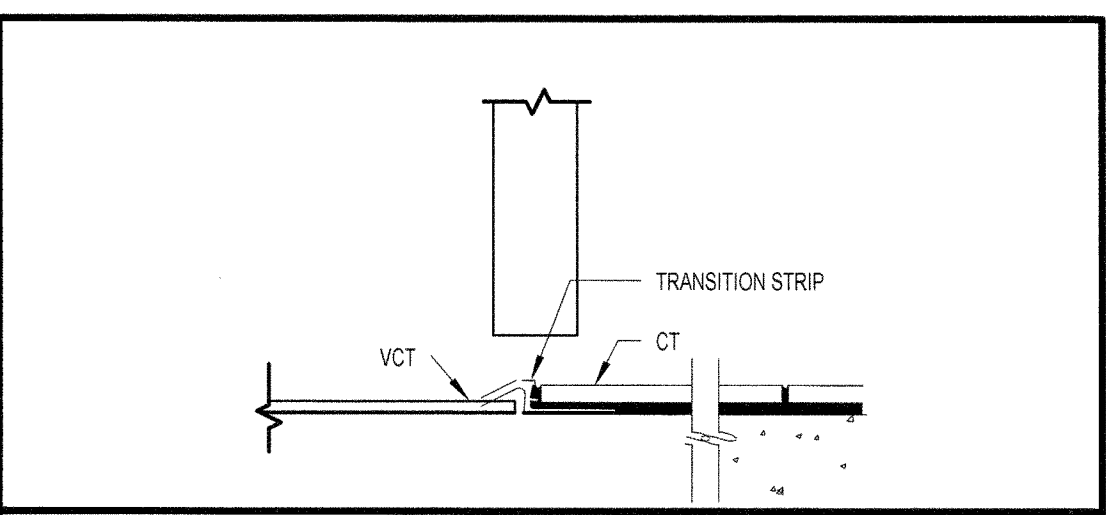
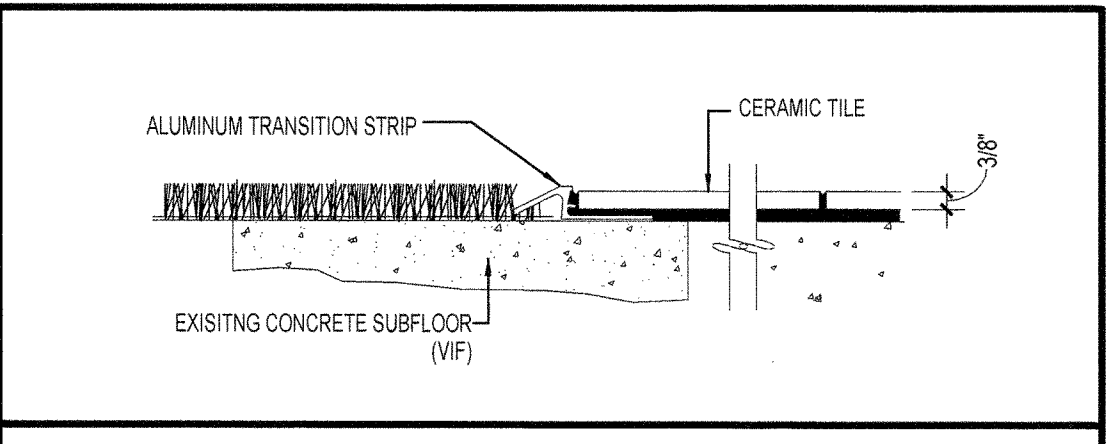
1 A101

1 A101

1 A101

1 View Name 1/8" = 1'-0"

0



SYMBOLS LEGEND

SCALE: NTS

(FOR ARCHITECTURAL DRAWINGS ONLY)

ABV	ABOVE	EXIST	EXISTING	MAX	MAXIMUM	RM	ROOM
ACP	ACOUSTICAL CEILING PANEL	EXH	EXHAUST	MDO	MEDIUM DENSITY OVERLAY	RO	ROUGH OPENING
AFF	ABOVE FINISHED FLOOR	EXP	EXPANSION	MECH	MECHANICAL	RT	RUBBER TILE
AHU	AIR HANDLING UNIT	EXT	EXTERIOR	MED	MEDIUM	SECT	SECTION
ALT	ALTERNATE	FA	FIRE ALARM	MET	METAL	SF	SQUARE FOOT
ALUM	ALUMINUM	FBO	FURNISHED BY OWNER	MFR	MANUFACTURER(ED)	SHW	SHOWER
AP	ACOUSTICAL PANEL	FD	FLOOR DRAIN	MIN	MINIMUM	SIM	SIMILAR
APPR	APPROXIMATE	FE	FIRE EXTINGUISHER	MISC	MISCELLANEOUS	SPEC(S)	SPECIFICATION(S)
ARCH	ARCHITECT(URAL)	FEC	FIRE EXTINGUISHER CABINET	MO	MASONRY OPENING	SQ	SQUARE
BIT	BITUMINOUS	FIN	FINISHED	MR	MOP RECEPTOR	STD	STANDARD
BLDG	BUILDING	FIXT	FIXTURE	MT(D)	MOUNTED	STL	STEEL
BOT	BOTTOM	FLR	FLOOR	MTG	MOUNTING	STOR	STORAGE
BRK	BRICK	FDN	FOUNDATION	NIC	NOT IN CONTRACT	STR	STRUCTURAL
BSMT	BASEMENT	FOC	FACE OF CONCRETE	NOM	NOMINAL	SV	SHEET VINYL
CL	CENTERLINE	FOF	FACE OF FINISH	NYS	NOT TO SCALE	SYM	SYMMETRICAL
CJT	CONTROL JOINT	FOM	FACE OF MASONRY	CA	OVERALL	SYS	SYSTEM
CLG	CEILING	FOS	FACE OF STUDS	OC	ON CENTER	T	TREAD
CLOS	CLOSET	GA	GAUGE	OD	OUTSIDE DIAMETER	T&G	TONGUE AND GROOVE
CMU	CONCRETE MASONRY UNIT	GALV	GALVANIZED	OPNG	OPENING	TA	TOILET ACCESSORIES
CONTR	COUNTER	GC	GENERAL CONTRACTOR	OPF	OPPOSITE	TEL	TELEPHONIC
COL	COLUMN	GL	GLASS, GLAZING	PLAM	PLASTIC LAMINATE	TEMP	TEMPORARY
CONC	CONCRETE	GWB	GYPSUM WALLBOARD	PLBG	PLUMBING	THK	THICKNESS
CONF	CONFERENCE	H	HIGH	PLT	PLATE	TOM	TOP OF MASONRY
CONST	CONSTRUCTION	HWIR	HARDWARE	PLY	PLYWOOD	TOD	TOP OF ROOF DECK
CONT	CONTINUOUS	HM	HOLLOW METAL	PM	PRESSED METAL	TOS	TOP OF STEEL
CONTR	CONTRACTOR	HORZ	HORIZONTAL	PT(D)	PAINT(ED)	TSL	TOP OF SLAB
CORR	CORRIDOR	HT	HEIGHT	PR	PAIR	TOW	TOP OF WALL
CNTR	CONTROL PANEL	HVAC	HEATING, VENTILATING, AND AIR CONDITIONING	PSF	POUNDS PER SQUARE FOOT	TYP	TYPICAL
CPT	CARPET	ID	INSIDE DIAMETER	PSI	POUNDS PER SQUARE INCH	UC	UNDERCUT
CRS	COURSE(S)	INCL	INCLUDE(D), INCLUDING	PT	POINT	UOD	UNDERSIDE OF DECK
CT	CERAMIC TILE	INFO	INFORMATION	PTN	PARTITION	UON	UNLESS OTHERWISE NOTED
DET	DETAIL	INS	INSULATE, INSULATION	R	RISER	VCT	VINYL COMPOSITION TILE
DF	DRINKING FOUNTAIN	INT	INTERIOR	RA	RETURN AIR	VIF	VERIFY IN FIELD
DIA	DIAMETER	JC	JANITOR'S CLOSET	RCP	REFLECTED CEILING PLAN	VERT	VERTICAL
DM	DIMENSION	JT	JOINT	RAD	RADIUS	W	WITH
DWG	DRAWING	L	LENGTH/LONG	RES	RESILIENT BASE	W/O	WITHOUT
EA	EACH	LAM	LAMINATE(D)	RD	ROOF DRAIN	WD	WOOD
EL	ELEVATION	LAV	LAVATORY	REIN	REINFORCE(D), REINFORCING	WPT	WORKING POINT
ELEC	ELECTRIC(AL)	LF	LINEAR FOOT	REF	REFERENCE		
EMER	EMERGENCY			REQD	REQUIRED		
EQ	EQUAL			RES	RESILIENT		
EQPT	EQUIPMENT			RET	RETURN		
EWC	ELECTRIC WATER COOLER			REV	REVISION		

ABBREVIATIONS

SCALE: NTS

SMMA
SYMME MAINI & MCKEE ASSOCIATES

1000 Massachusetts Avenue
Cambridge, Massachusetts 02138
617.547.5400 Fax 617.354.5758

OWNER REVIEW

NAME _____ Date _____

5/30/08 ISSUE FOR BID

NO. DATE DESCRIPTION

ISSUE LOG

△ = CLOUDED CHANGE

Banknorth

1410 Congress Street
Portland, ME 04101

GENERAL NOTES & DETAILS

SCALE _____ As indicated

DRAWN BY _____ PG _____

CHECK BY _____

PROJ.ARCH/ENGR. _____ JR _____

PROJ. MRG. _____ PJB _____

JOB NO. 07133.01

© SYMMES, MAINI & MCKEE ASSOCIATES, INC. 2008

A0.02