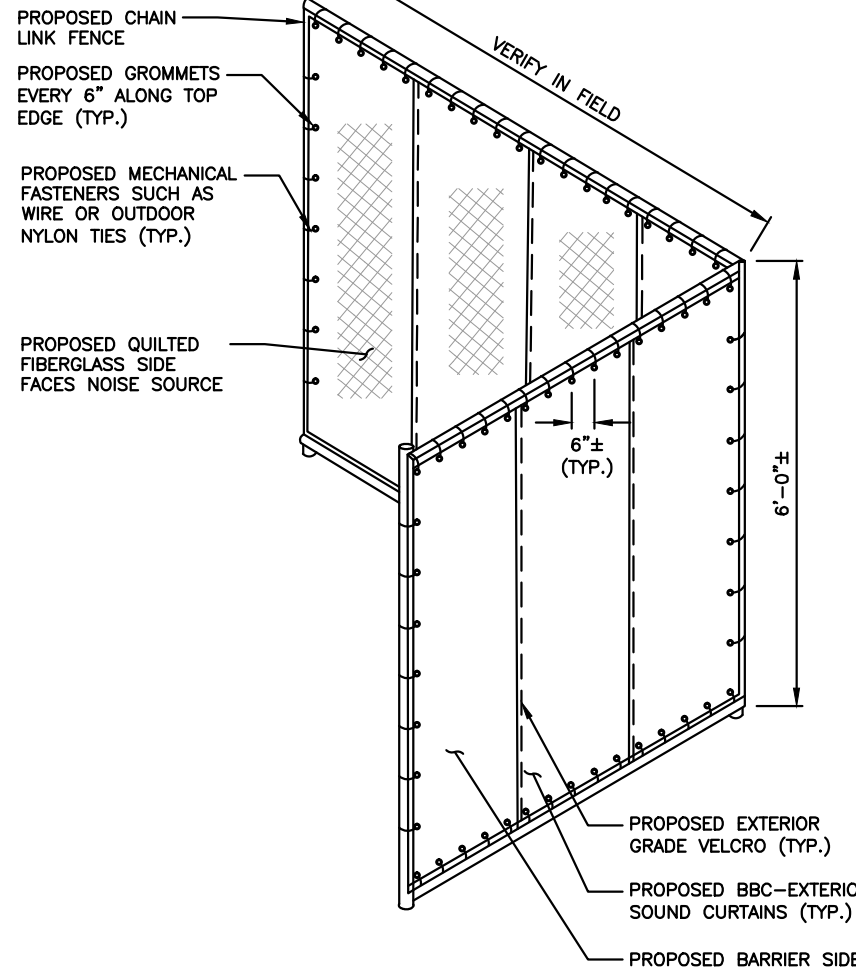


**PROPOSED GENERATOR CHAIN LINK FENCE PLAN**

SCALE: N.T.S.

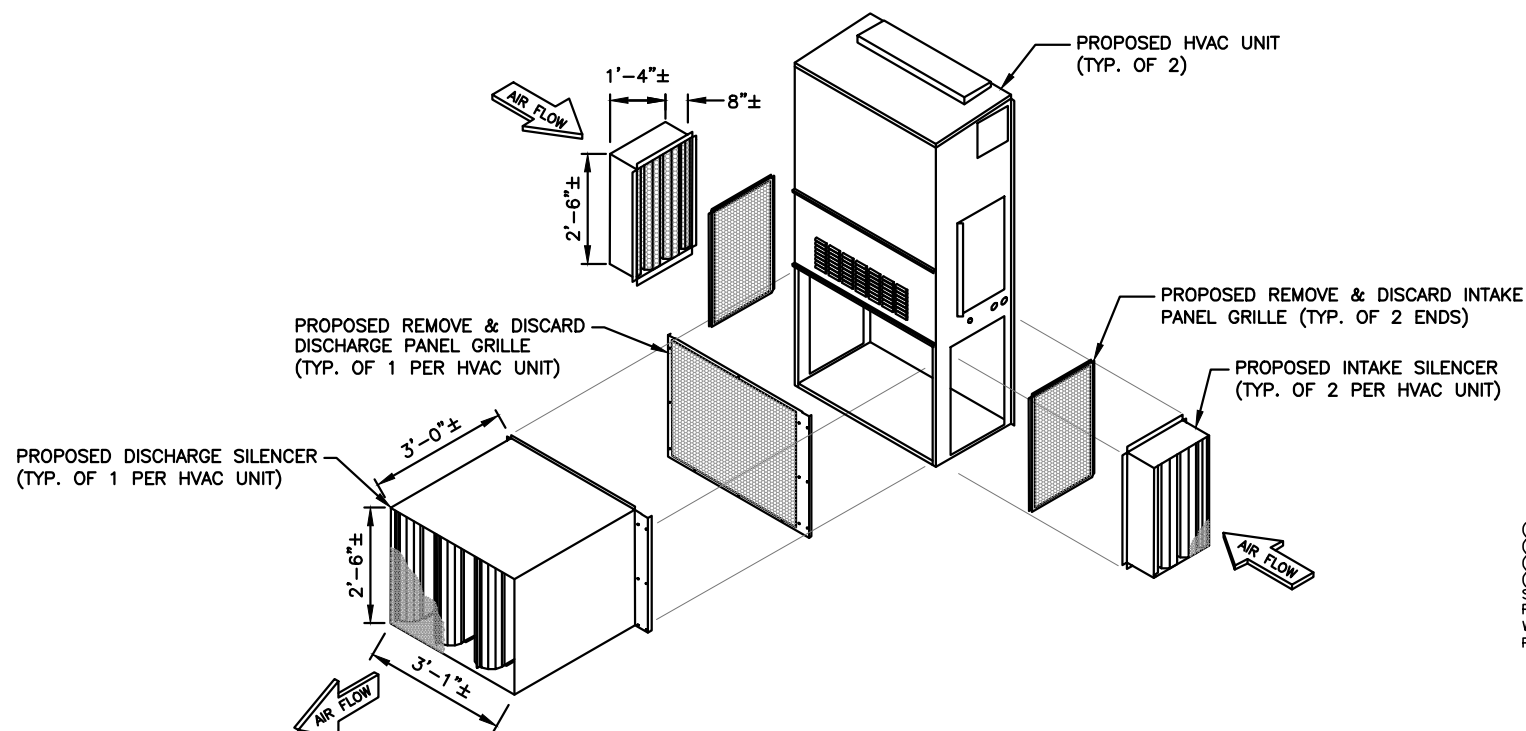
1  
EC-2



**ACOUSTIC FENCE NOISE BARRIER ISOMETRIC DETAIL**

SCALE: N.T.S.

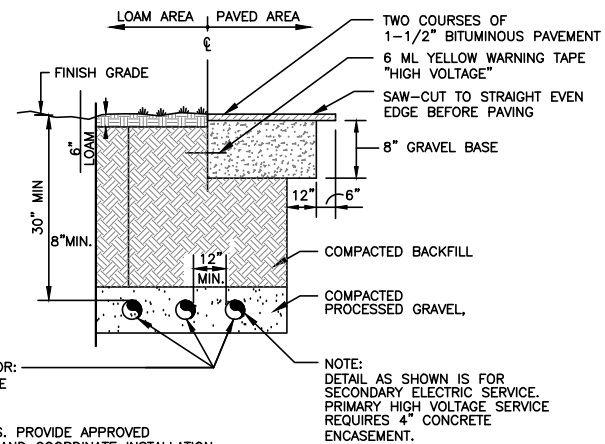
2  
EC-2



**AEROACOUSTIC HVAC NOISE BARRIER ISOMETRIC DETAIL**

SCALE: N.T.S.

3  
EC-2



(3) 4" SCH. 40 CONDUIT FOR:  
 (1) NEW ELECTRICAL SERVICE  
 (1) TELEPHONE SERVICE  
 (1) NEW FIBER RUN  
 SEE UTILITY AND SITE PLANS. PROVIDE APPROVED PULL BOXES AS REQUIRED, AND COORDINATE INSTALLATION W/ ALL UTILITY COMPANIES FOR INTERFACING AT TERMINATION POINTS. PROVIDE FULL LENGTH PULL ROPES (TYP.)

NOTE:  
 DETAIL AS SHOWN IS FOR SECONDARY ELECTRIC SERVICE. PRIMARY HIGH VOLTAGE SERVICE REQUIRES 4" CONCRETE ENCASEMENT.

**BURIED CONDUIT DETAIL**

SCALE: N.T.S.

4  
EC-2



482 CONGRESS STREET, SUITE 100  
 PORTLAND, ME 04101



1600 OSGOOD STREET  
 BLD 20 N, SUITE 3090  
 N. ANDOVER, MA 01845  
 TEL: (978)-557-5553  
 FAX: (978)-336-5586

LICENSED ENGINEER DATE

REVISIONS

REV. #	DATE	DESCRIPTION
1	04/04/16	ISSUED FOR PERMITTING
0	03/02/16	ISSUED FOR REVIEW

PROJECT NO.	DESIGNED BY: RP	SCALE:
	DRAWN BY: VP	AS SHOWN
	CHECKED BY: DPH	

SITE NAME:  
**MFC  
 PORTLAND**

SITE ADDRESS:  
 9 WESTLAND AVENUE  
 PORTLAND, ME 04101

SHEET TITLE:  
**SOUND ATTENUATION  
 DETAILS**

SHEET NO:  
**EC-2**