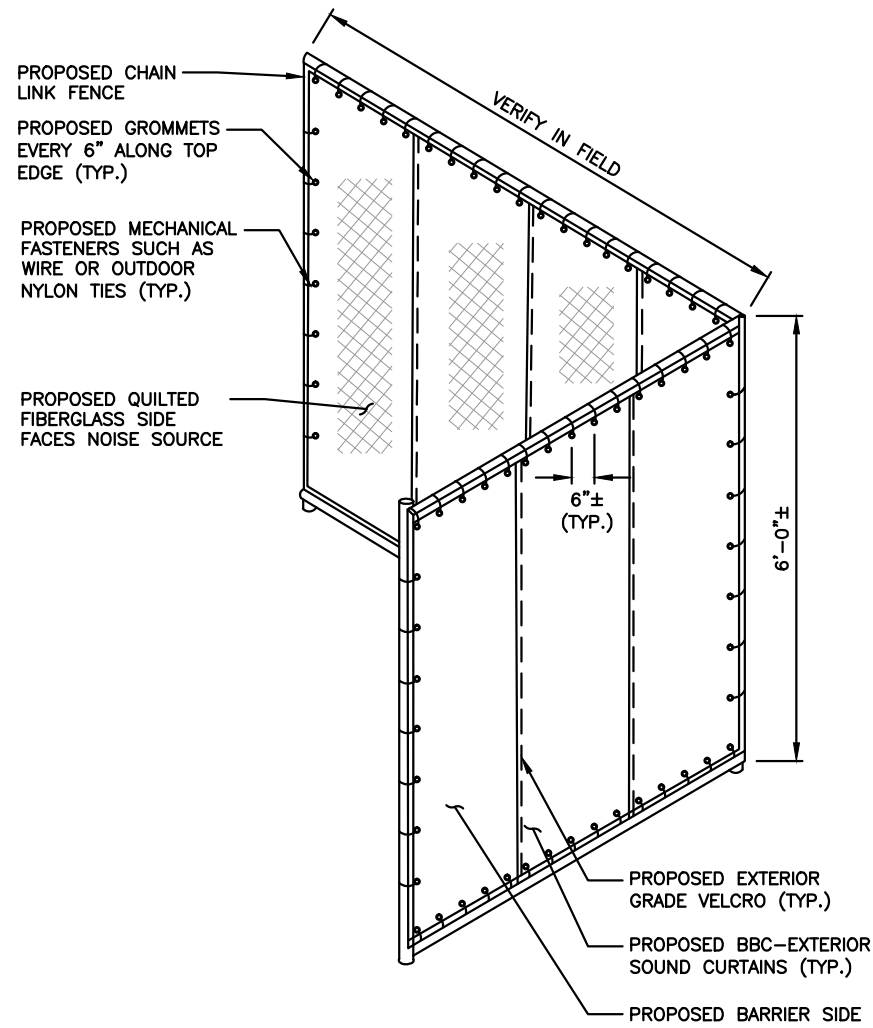


PROPOSED GENERATOR CHAIN LINK FENCE PLAN

SCALE: N.T.S.

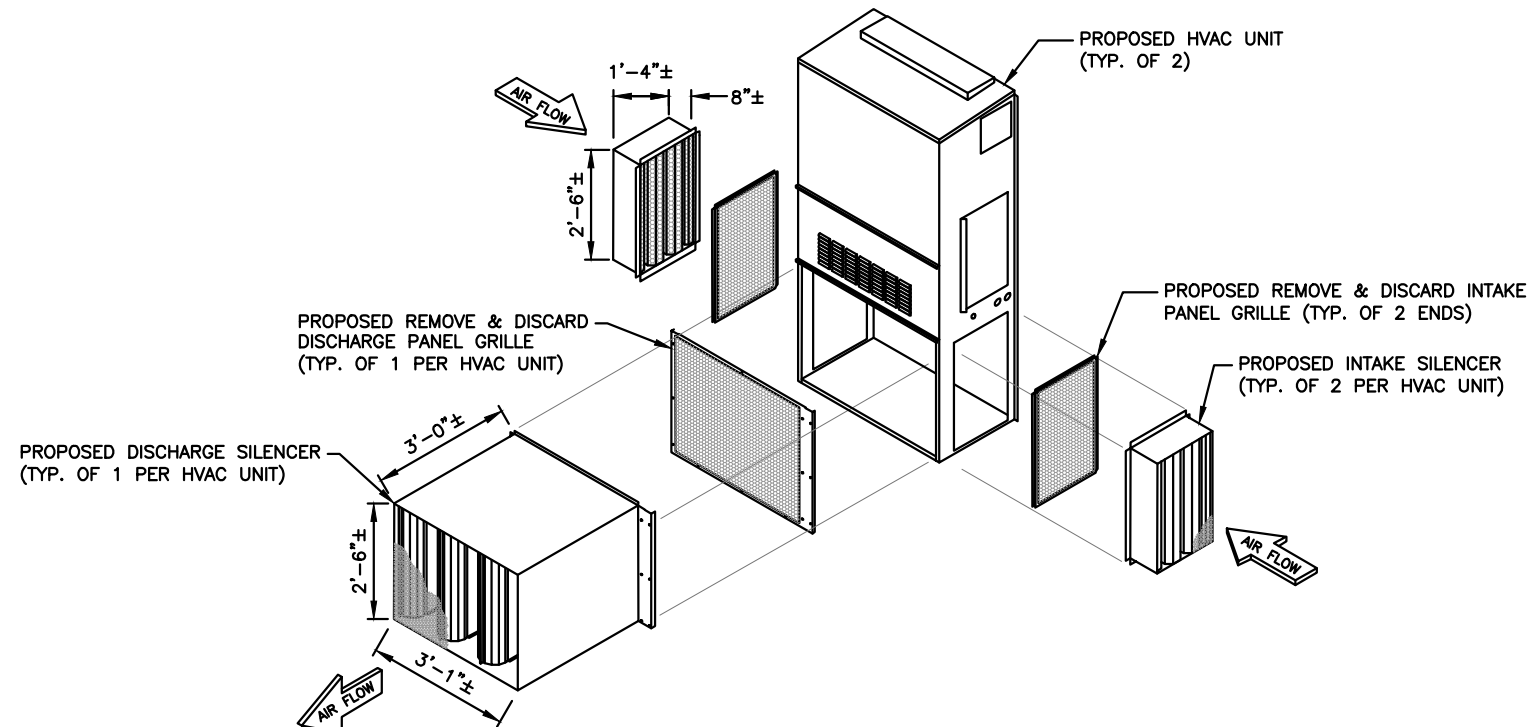
1
S-4



ACOUSTIC FENCE NOISE BARRIER ISOMETRIC DETAIL

SCALE: N.T.S.

2
S-4



AEROACOUSTIC HVAC NOISE BARRIER ISOMETRIC DETAIL

SCALE: N.T.S.

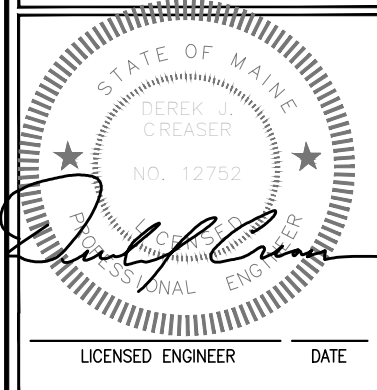
3
S-4



482 CONGRESS STREET, SUITE 100
PORTLAND, ME 04101



1600 OSGOOD STREET
BLD 20 N, SUITE 3090
N. ANDOVER, MA 01845
TEL: (978)-557-5553
FAX: (978)-336-5586



REVISIONS		
REV. #	DATE	DESCRIPTION
0	03/02/16	ISSUED FOR REVIEW

PROJECT NO.	DESIGNED BY: RP	SCALE:
	DRAWN BY: VP	AS SHOWN
	CHECKED BY: DPH	

SITE NAME:
**MFC
PORTLAND**

SITE ADDRESS:
9 WESTLAND AVENUE
PORTLAND, ME 04101

SHEET TITLE:
**SOUND ATTENUATION
DETAILS**

SHEET NO:
S-4