

Title: Reference Plan

New Beam/ Column Removal

32 Rabbit Run
Portland, ME

Not to Scale
Date: 2/7/12

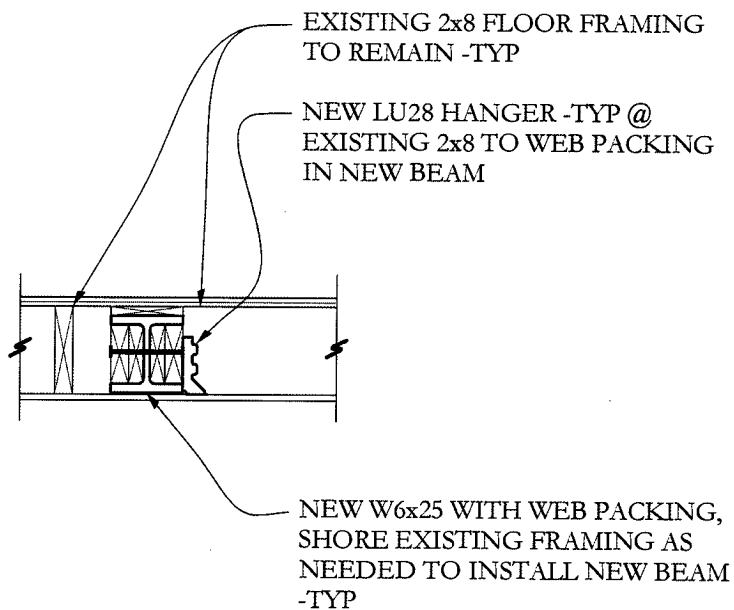
SKS-1

Structural Integrity
Consulting Engineers, Inc.

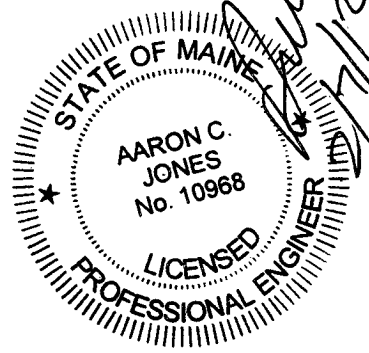
77 Oak Street
Portland, ME, 04101
p. 207-774-4614
f. 866-793-7835
www.structuralintegrity.com

BUILD WITH CONFIDENCE
© 2012 Structural Integrity Consulting Engineers, Inc.

SI JOB# 12-0006



SECTION A
SKS-2 3/4"=1'-0



Title: Section

Structural Integrity
Consulting Engineers, Inc.

77 Oak Street
Portland, ME, 04101
p. 207-774-4614
f. 866-793-7835

www.structuralintegrity.com

BUILD WITH CONFIDENCE
© 2012 Structural Integrity Consulting Engineers, Inc.

SI JOB# 12-0006

New Beam/ Column Removal

32 Rabbit Run
Portland, ME

Scale: 3/4"=1'-0"

Date: 2/7/12

SKS-2