

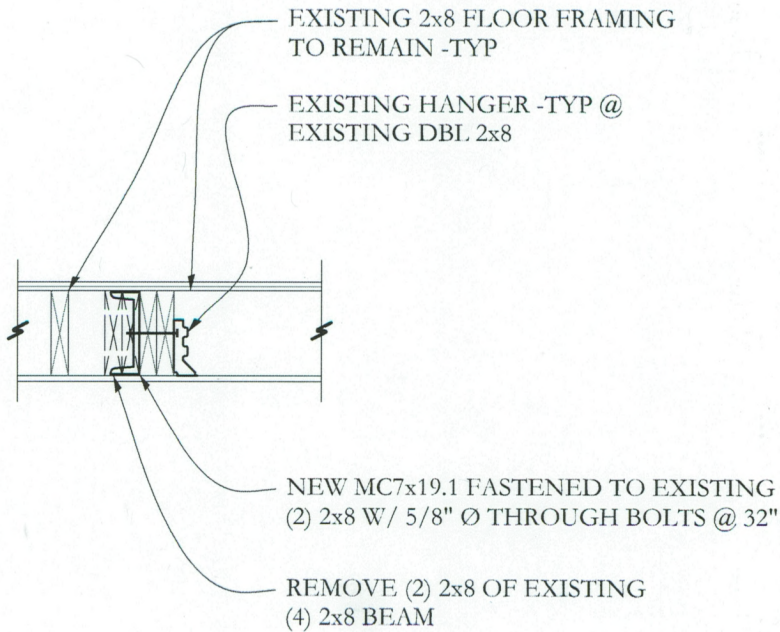
Title: Reference Plan

Structural Integrity
 Consulting Engineers, Inc.
 77 Oak Street
 Portland, ME, 04101
 p. 207-774-4614
 f. 866-793-7835
 www.structuralintegrity.com
 BUILD WITH CONFIDENCE
 © 2012 Structural Integrity Consulting Engineers, Inc.
 SI JOB# 12-0006

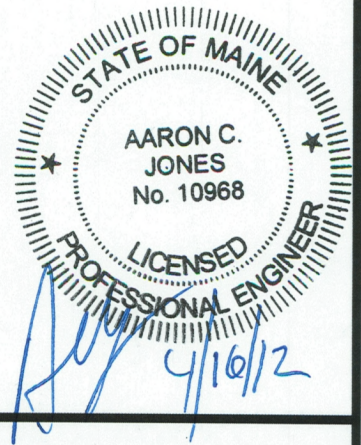
New Beam/ Column Removal
 32 Rabbit Run
 Portland, ME

Not to Scale
 Date: 2/7/12
 Revised: 4/11/12

SKS-1



SECTION A
SKS-2 3/4"=1'-0"



Title: Section

Structural Integrity
Consulting Engineers, Inc.
77 Oak Street
Portland, ME, 04101
p. 207-774-4614
f. 866-793-7835
www.structuralinteg.com
BUILD WITH CONFIDENCE
© 2012 Structural Integrity Consulting Engineers, Inc.
SI JOB# 12-0006

New Beam/ Column Removal
32 Rabbit Run
Portland, ME

Scale: 3/4"=1'-0"
Date: 2/7/12
Revised: 4/11/12
SKS-2