

City of Portland, Maine - Building or Use Permit Application

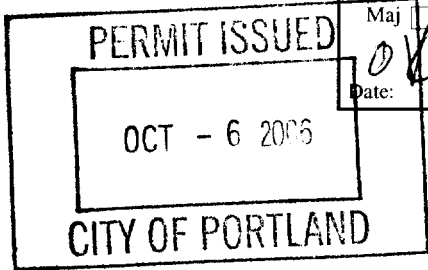
389 Congress Street, 04101 Tel: (207) 874-8703, Fax: (207) 874-8716

Permit No: 06-1311	Issue Date:	CBL: 196 G012001
-----------------------	-------------	---------------------

Owner Name: BLETHEN ROBERT C JR & CAT		Owner Address: 18 RABBIT RUN		Phone:	
Business Name:	Contractor Name: Waltz & Sons		Contractor Address: 42 Carll Road Buxton		Phone 2079298898
Lessee/Buyer's Name	Phone:	Permit Type: HVAC		Zone: R3	
Past Use: Single Family Home	Proposed Use: Single Family Home/ Heat & Glo fireplace insert		Permit Fee: \$30.00	Cost of Work: \$400.00	CEO District: 3
Proposed Project Description: Heat & Glo fireplace insert			FIRE DEPT: <input type="checkbox"/> Approved <input type="checkbox"/> Denied		INSPECTION: Use Group R3 Type SB IRC 2003 Signature: Jm 6/29/06
			Action: <input type="checkbox"/> Approved <input type="checkbox"/> Approved w/Conditions <input type="checkbox"/> Denied Signature: _____ Date: _____		

Permit Taken By: ldobson	Date Applied For: 09/07/2006	Zoning Approval		
-----------------------------	---------------------------------	------------------------	--	--

1. This permit application does not preclude the Applicant(s) from meeting applicable State and Federal Rules. 2. Building permits do not include plumbing, septic or electrical work. 3. Building permits are void if work is not started within six (6) months of the date of issuance. False information may invalidate a building permit and stop all work..	Special Zone or Reviews <input type="checkbox"/> Shoreland <input type="checkbox"/> Wetland <input type="checkbox"/> Flood Zone <input type="checkbox"/> Subdivision <input type="checkbox"/> Site Plan	Zoning Appeal <input type="checkbox"/> Variance <input type="checkbox"/> Miscellaneous <input type="checkbox"/> Conditional Use <input type="checkbox"/> Interpretation <input type="checkbox"/> Approved <input type="checkbox"/> Denied	Historic Preservation <input checked="" type="checkbox"/> Not in District or Landmark <input type="checkbox"/> Does Not Require Review <input type="checkbox"/> Requires Review <input type="checkbox"/> Approved <input type="checkbox"/> Approved w/Conditions <input type="checkbox"/> Denied
	Maj <input type="checkbox"/> Minor <input checked="" type="checkbox"/> MM <input type="checkbox"/> Date: 9/7/06	Date: _____	Date: _____



CERTIFICATION

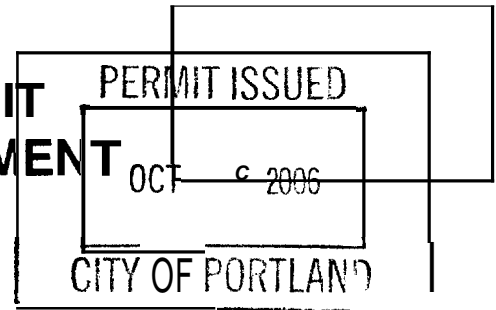
I hereby certify that I am the owner of record of the named property, or that the proposed work is authorized by the owner of record and that I have been authorized by the owner to make this application as his authorized agent and I agree to conform to all applicable laws of this jurisdiction. In addition, if a permit for work described in the application is issued, I certify that the code official's authorized representative shall have the authority to enter all areas covered by such permit at any reasonable hour to enforce the provision of the code(s) applicable to such permit.

SIGNATURE OF APPLICANT	ADDRESS	DATE	PHONE
RESPONSIBLE PERSON IN CHARGE OF WORK. TITLE		DATE	PHONE



FILL IN AND SIGN WITH INK

APPLICATION FOR PERMIT HEATING OR POWER EQUIPMENT



To the INSPECTOR OF BUILDINGS, PORTLAND, ME.

The undersigned hereby applies for a permit to install the following heating, cooking or power equipment in accordance with the Laws of Maine, the Building Code of the City of Portland, and the following specifications:

Location / CBL 18 ROLL T Run, Portland 196612 Use of Building Residential Date 7 sent
 Name and address of owner of appliance Rob + Catharine ~~Set~~ Eleton
18 Roll.t Run
 Installer's name and address Michael Waltz
Buxton Telephone _____

Location of appliance:

- Basement Floor
 Attic Roof

Type of Fuel:

- Gas Oil Solid

Appliance Name: HEAT + CO

U.L. Approved Yes No

Will appliance be installed in accordance with the manufacture's installation instructions? Yes No

IF NO Explain: _____

The Type of License of Installer:

- ~~Meter~~ Plumber # _____
 Solid Fuel # _____
 Oil # _____
 Gas # PWT 3282
 Other _____

Type of Chimney:

- Masonry Lined
 Factory built _____
 Metal
 Factory Built U.L. Listing # _____
 Direct Vent
 Type DUP uL# _____

Type of Fuel Tank

- Oil
 Gas

Size of Tank 50 gallon

Number of Tanks 1

Distance from Tank to Center of Flame NA feet.

Cost of Work: \$ 400.00

Permit Fee: \$ _____

Approved

Fire: _____
 Ele.: _____
 Bldg.: _____

Approved with Conditions

- See attached letter or requirement

Inspector's Signature _____

Date Approved _____

Signature of Installer Michael Waltz (by George Assen) 781-7105

White - Inspection

Yellow - File

Pink - Applicant's

Gold - Assessor's Copy

City of Portland, Maine - Building or Use Permit

389 Congress Street, 04101 Tel: (207) 874-8703, Fax: (207) 874-8716

Permit No: 06-1311	Date Applied For: 09/07/2006	CBL: 196 GO12001
------------------------------	--	----------------------------

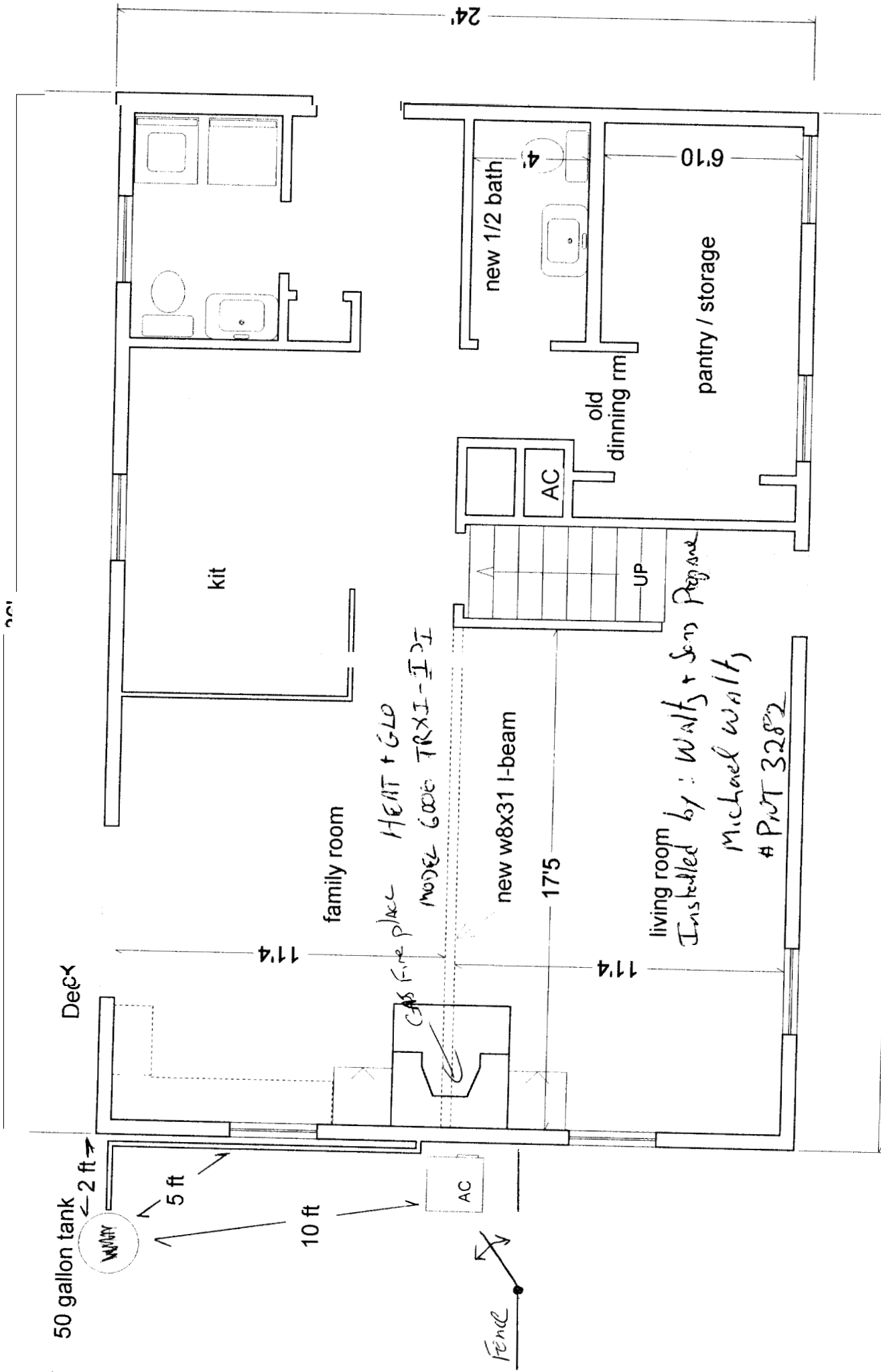
Location of Construction: 18 RABBIT RUN	Owner Name: BLETHEN ROBERT C JR & CAT	Owner Address: 18 RABBIT RUN	Phone:
Business Name:	Contractor Name: Waltz & Sons	Contractor Address: 42 Carll Road Buxton	Phone (207) 929-8898
Lessee/Buyer's Name	Phone:	Permit Type: HVAC	

Proposed Use: Single Family Home/ Heat & Glo fireplace insert	Proposed Project Description: Heat & Glo fireplace insert
---	---

--

Dept: Building **Status:** Approved **Reviewer:** Tom Markley **Approval Date:** 09/29/2006**Note:** **Ok to Issue:**

- 1) The installation must comply with the State of Maine Gas Regulations.
- 2) Application approval based upon information provided by applicant. Any deviation from approved plans requires separate review and approval prior to work.



36'
LIVING AREA
866 sq ft

18 RABBIT RUN
GEORGE ARSOIT
781-7105

Installed by: Walt & Son Propane
Michael Walt
PWT 3282

Get remote #20

BRAD

P28

HEAT & GLO

Where everything comes together

Owner's Manual Installation and Operation

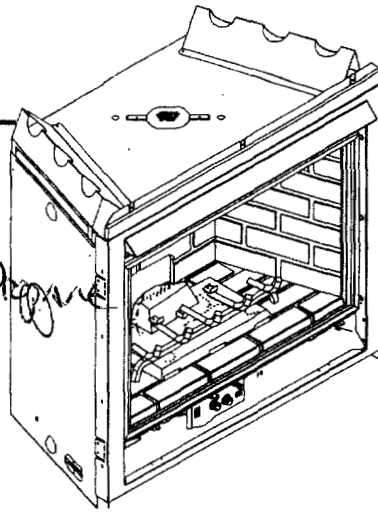
Model:
6000TRXI-IPI



Waltz + Sons Program

Michael Waltz

PWT 3282



1-800-564-9022



READ THIS MANUAL BEFORE INSTALLING OR OPERATING THIS APPLIANCE. THIS INSTALLERS GUIDE MUST BE LEFT WITH APPLIANCE FOR FUTURE REFERENCE.

WARNING: IF THE INFORMATION IN THESE INSTRUCTIONS IS NOT FOLLOWED EXACTLY, A FIRE OR EXPLOSION MAY RESULT CAUSING PROPERTY DAMAGE, PERSONAL INJURY, OR DEATH.

Do not store or use gasoline or other flammable vapors and liquids in the vicinity of this or any other appliance.

- **What to do if you smell gas**
 - Do not try to light any appliance.
 - Do not touch any electrical switch.
 - Do not use any phone in your building.
 - Immediately call your gas supplier from a neighbor's phone. Follow the gas supplier's instructions.
 - If you cannot reach your gas supplier, call the fire department.
- Installation and service must be performed by a qualified installer, service agency, or the gas supplier.

WARNING: IMPROPER INSTALLATION, ADJUSTMENT, ALTERATION, SERVICE OR MAINTENANCE CAN CAUSE INJURY OR PROPERTY DAMAGE. REFER TO THIS MANUAL. FOR ASSISTANCE OR ADDITIONAL INFORMATION CONSULT A QUALIFIED INSTALLER, SERVICE AGENCY, OR THE GAS SUPPLIER.

1. This appliance may be installed in an aftermarket, permanently located, manufactured (mobile) home, where not prohibited by local codes.
2. This appliance is only for use with the type of gas indicated on the rating plate. This appliance is not convertible for use with other gases, unless a certified kit is used.

- In the Commonwealth of Massachusetts:
- installation must be performed by a licensed plumber or gas fitter;
 - a CO detector shall be installed in the room where the appliance is installed.

Printed in U S A Copyright 2006

Heat & Glo, a brand of Hearth & Home Technologies Inc
20802 Kensington Boulevard, Lakeville, MN 55044

Please contact your Heat & Glo dealer with any questions or concerns. For the number of your nearest Heat & Glo dealer, please call 1-888-427-3973.

This product may be covered by one or more of the following patents (United States) 4593510 4686807 4766876 4793322 4811534 5000162 5016609 5076254 5113843 5191677 5218953 5263471 5328356 5341394 5347983 5429495 5452708 5542407 5601073 5613487 5647340 5688568 5762062 5775408 5890485 5931661 5941237 5947112 5996575 6006743 6019089 6048195 6053165 6145502 6170481 6237588 6296474 6374822 E413079 E439226 6484712 6543698 6550687 E601579 6672850 6688302E2 671572402 6729551 6736133 6748940 6748942 6769426 6774802 6796302 6840261 6848441 6863064 6866205 6869278 6875012 6880275 6908039 6919884 D320652 0445174 D462436 (Canada)1297749 2195264 2225408 2313972 (Australia) 780250 780403 1418504 or other U.S. and foreign patents pending

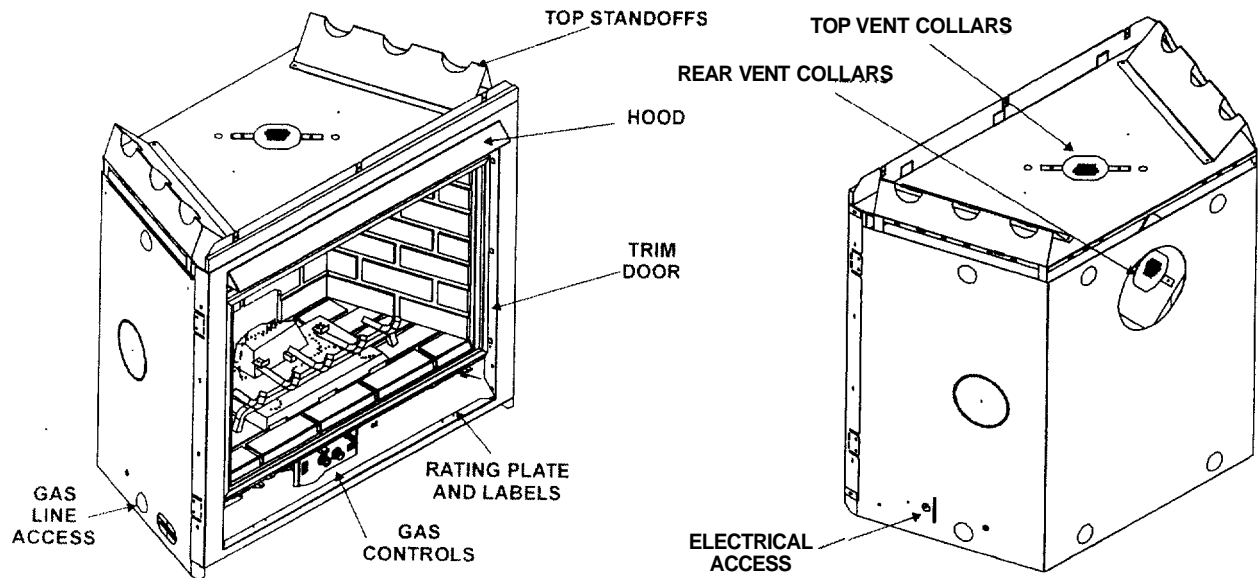
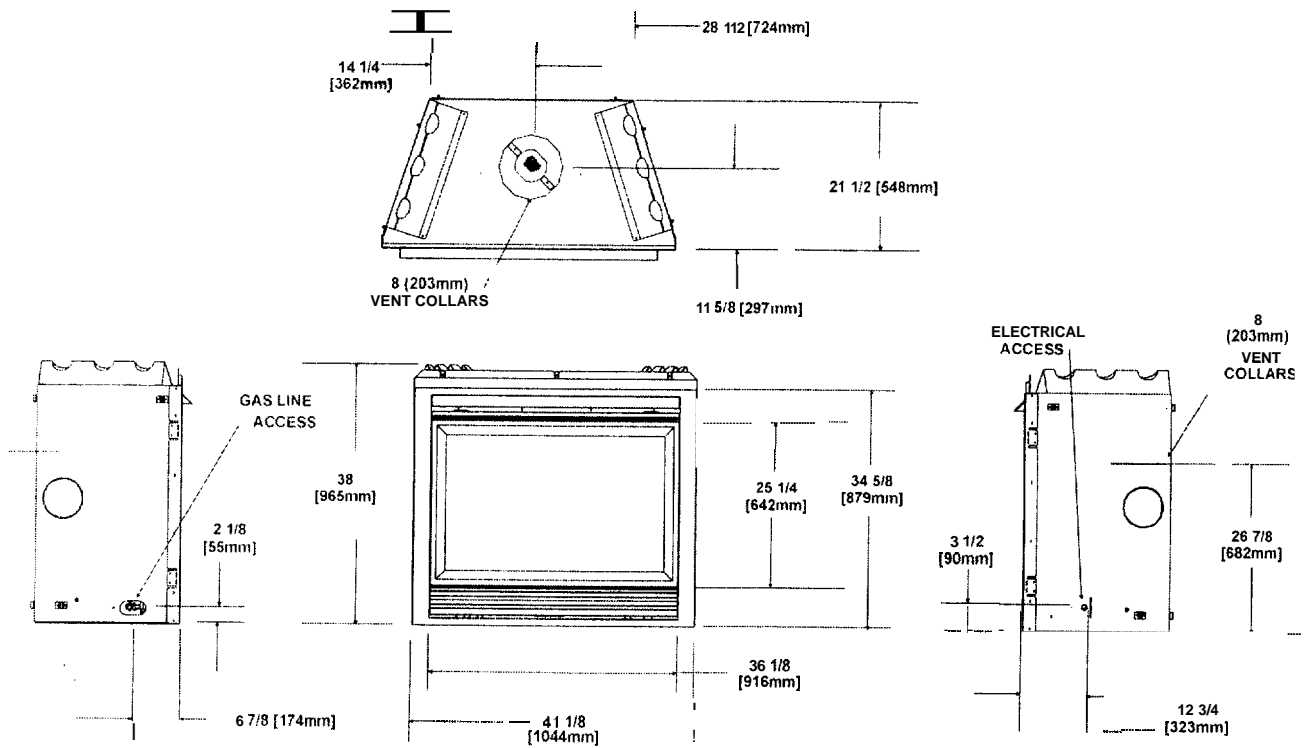


Figure 1. Diagram of the 6000TRXI-IPI

3

Installing the Fireplace

Constructing the Fireplace Chase

A chase is a vertical box-like structure built to enclose the gas fireplace and/or its vent system. Vertical vents that run on the outside of a building may be, but are not required to be, installed inside a chase

CAUTION: TREATMENT OF FIRESTOP SPACERS AND CONSTRUCTION OF THE CHASE MAY VARY WITH THE TYPE OF BUILDING. THESE INSTRUCTIONS ARE NOT SUBSTITUTES FOR THE REQUIREMENTS OF LOCAL BUILDING CODES. THEREFORE, YOUR LOCAL BUILDING CODES **MUST BE CHECKED TO DETERMINE THE REQUIREMENTS FOR THESE STEPS.**

Factory-built fireplace chases should be constructed in the manner of all outside walls of the home to prevent cold air drafting problems. The chase should not break the outside building envelope in any manner.

This means that the walls, ceiling, base plate and cantilever floor of the chase should be insulated. Vapor and air infiltration barriers should be installed in the chase as per regional codes for the rest of the home. Additionally, in regions where cold air infiltration may be an issue, the inside surfaces may be sheetrocked and taped for maximum air tightness.

To further prevent drafts, the wall shield and ceiling firestops should be caulked with high temperature caulk to seal gaps. Gas line holes and other openings should be caulked with high temp caulk or stuffed with unfaced insulation. If the appliance is being installed on a cement slab, a layer of plywood may be placed underneath to prevent conducting cold up into the room.

THE CHASE SHOULD BE CONSTRUCTED SO THAT ALL CLEARANCES TO THE FIREPLACE ARE MAINTAINED AS SPECIFIED WITHIN THIS INSTALLERS GUIDE.

Step 1. Locating the Fireplace

The following diagram shows space and clearance requirements for locating a fireplace within a room

Clearance Requirements

The top back and sides of the fireplace are defined by stand-offs. The minimum clearance to a perpendicular wall extending past the face of the fireplace is one inch (25 mm). The back of the fireplace may be recessed 21 1/2 inches (546 mm) into combustible construction.

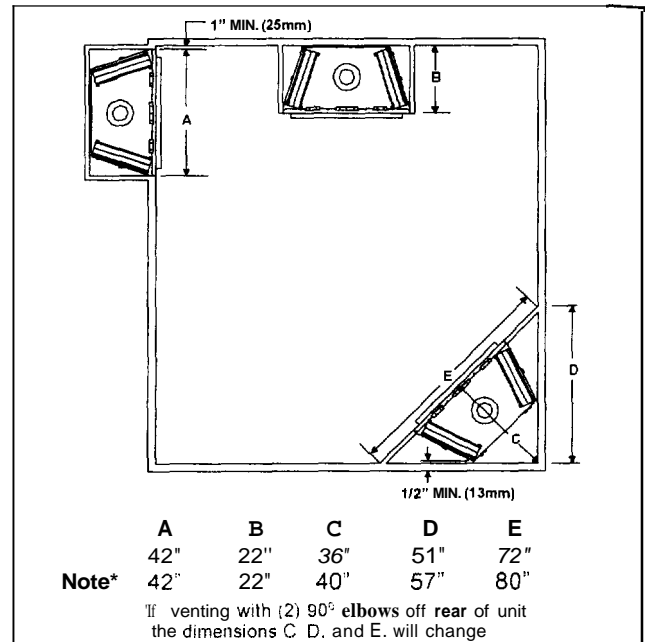


Figure 2. Fireplace Dimensions, Locations, and Space Requirements

Minimum Clearances from the Fireplace to Combustible Materials

	Inches	mm
Glass Front	36	914
Floor	0	0
Rear	1/2	13
Sides	1/2	13
Surround Sides*	0	0
Top	3 1/2	89
Ceiling**	31	787

* See Figure 3.

**The clearance to the ceiling is measured from the top of the unit, excluding the standoffs (see Figure 38).

The distance from the unit to combustible construction is to be measured from the unit outer wrap surface to the combustible construction, **NOT** from the screw heads that secure the unit together.

Minimum Clearances from the Vent Pipe to Combustible Materials

	Inches	mm
Vertical Sections	1	25
Horizontal Sections		
Top	3	75
Bottom	1	25
Sides	1	25
At Wall Firestops		
Top	3	75
Bottom	1	25
Sides	1	25

For minimum clearances, see the direct vent termination clearance diagrams on pages 23 and 24 in this manual.

Step 2. Framing the Fireplace

Fireplace framing can be built before or after the fireplace is set in place. Framing should be positioned to accommodate wall coverings and fireplace facing material. The diagram below shows framing reference dimensions.

CAUTION: MEASURE FIREPLACE DIMENSIONS AND VERIFY FRAMING METHODS AND WALL COVERING DETAILS BEFORE FRAMING

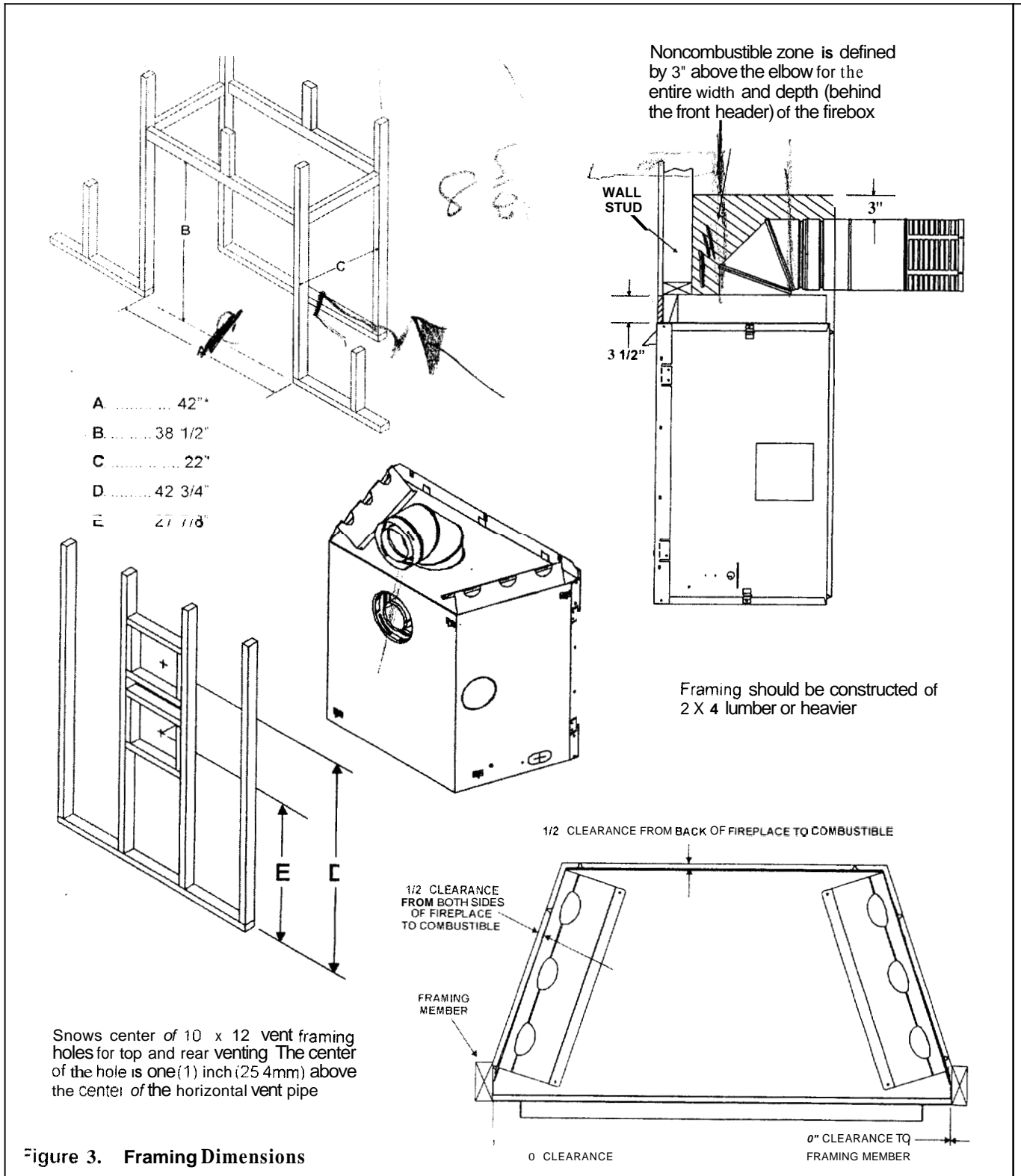
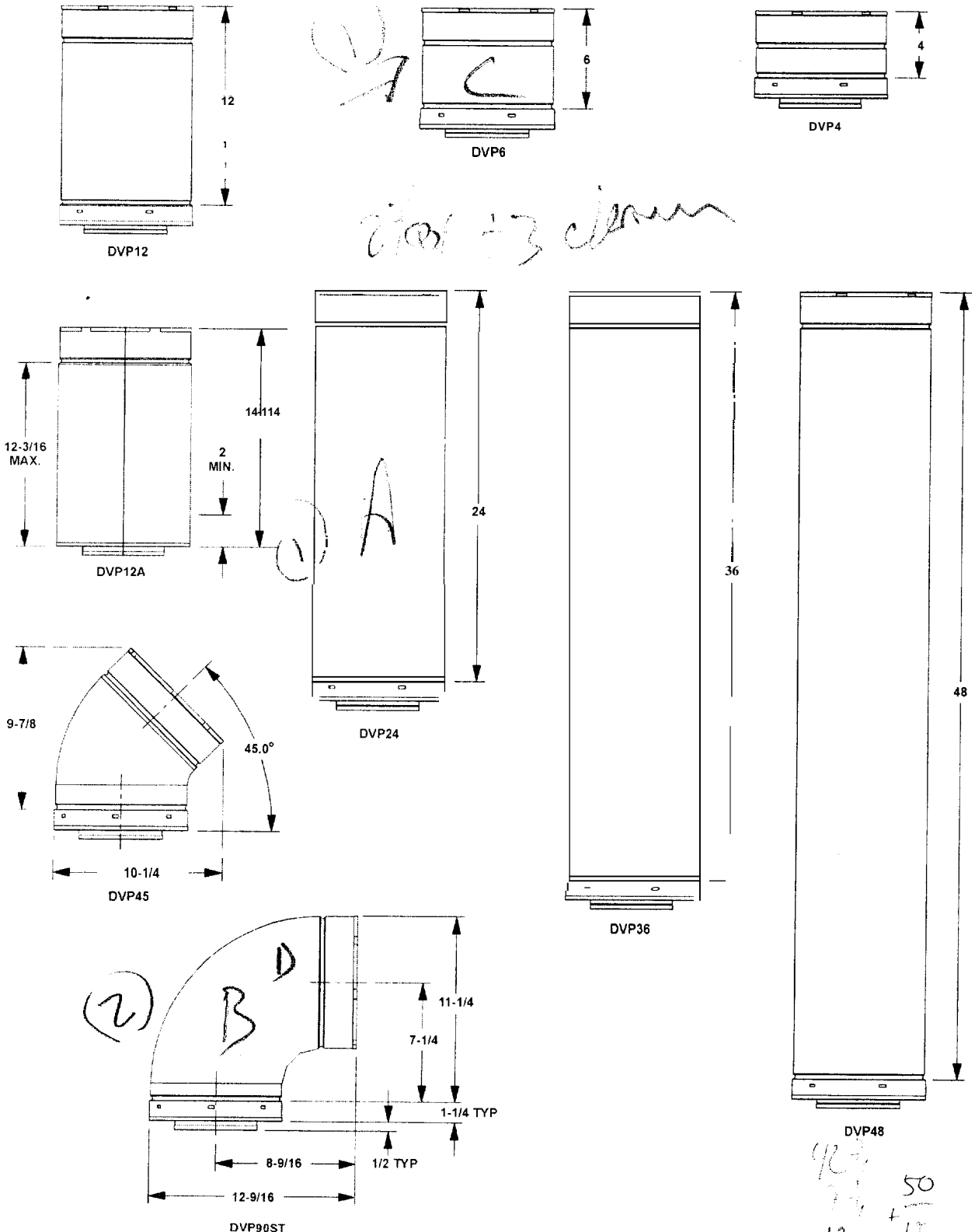


Figure 3. Framing Dimensions



NOTE: PIPES OVERLAP 1-1/4 INCHES AT EACH JOINT.

Handwritten calculation:
 42
 34
 + 12
 + 3

 50
 + 15

 65

Figure 4. DVP-Series Direct Vent Component Specifications (5-inch inner pipe / 8-inch outer pipe)

Step 3. installing the Vent System

A. Vent System Approvals

These models are approved to use DVP-series direct vent pipe components and terminations (see Figures 4 and 5). Approved vent system components are labeled for identification. This pipe is tested and listed as an approved component of the fireplace. The pipe is tested to be run inside an enclosed wall. There is no requirement for inspection openings at each joint within the wall. There is no required pitch for horizontal vent runs. **NO OTHER VENTING SYSTEMS OR COMPONENTS MAY BE USED**

Detailed installation instructions are included with each vent termination kit and should be used in conjunction with this *Installers Guide*.

The flame and ember appearance may vary based on the type of fuel burned and the venting configuration used.

Identifying Vent Components

The vent systems installed on this gas fireplace may include one, two, or three 90° elbow assemblies. The relationships of vertical rise to horizontal run in vent configurations using 90° elbows **MUST BE** strictly adhered to. The rise to run relationships are shown in the venting drawings and tables. Refer to the diagrams on the next several pages,

NOTE: Two 45° elbows may be used in place of one 90° elbow. Rise to run ratios in the vent system must be followed if 45° elbows are used.

This model has vent starting collars on both the top and the back of the unit. Depending upon the installation, decide which **ONE** set of starting collars will be used to attach the vent system. The starting collar sealing cap must remain on the starting collar **NOT** used.

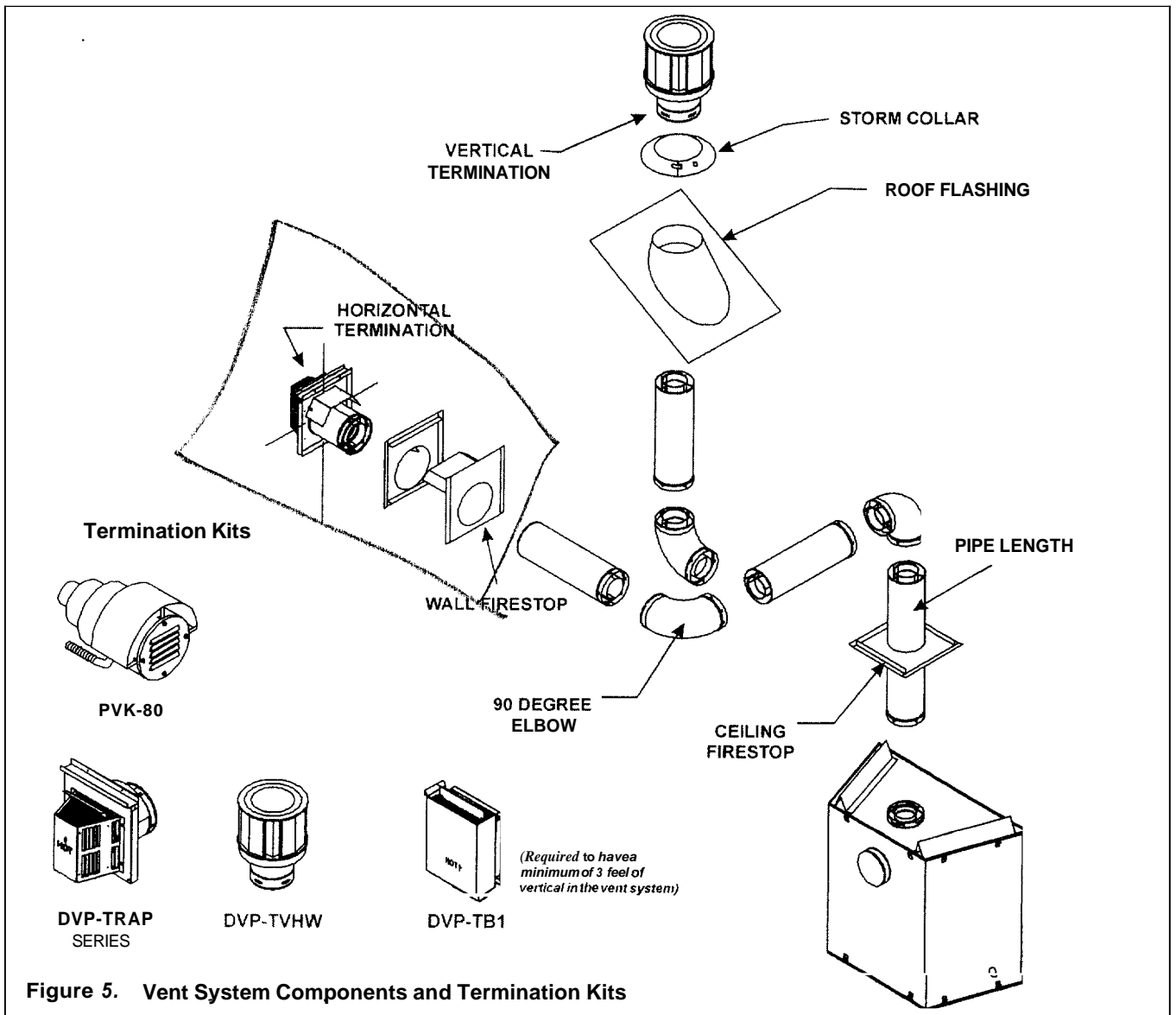


Figure 5. Vent System Components and Termination Kits

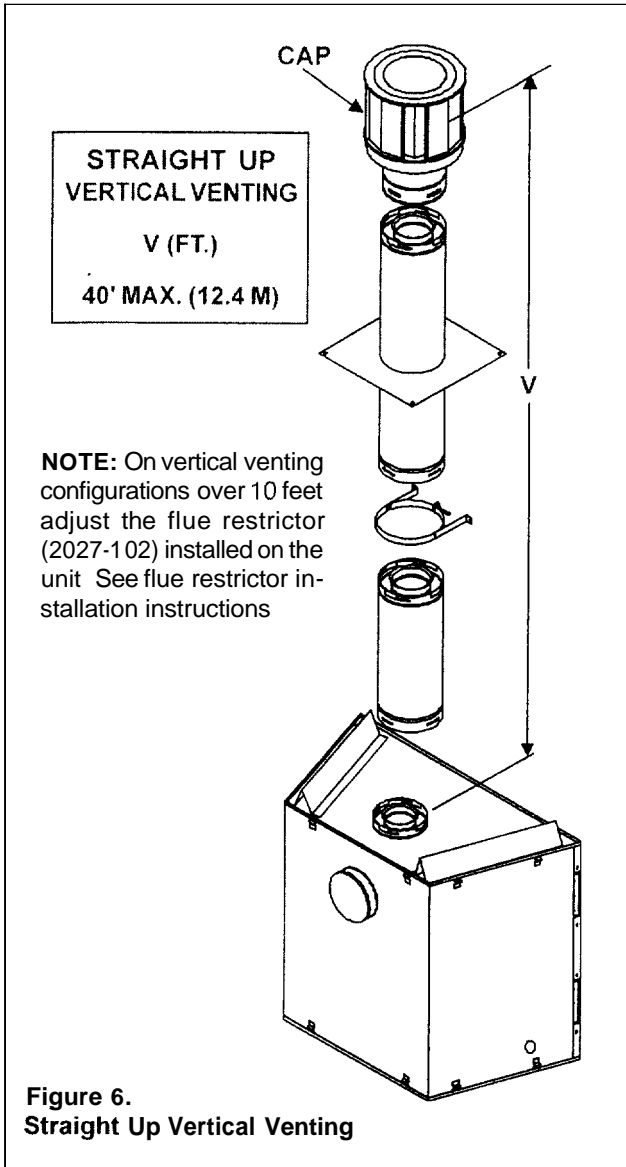


Figure 6.
Straight Up Vertical Venting

Flue Restrictor Instructions

Remove screws with a 1/4 nut driver. Adjust to desired position per table. See Flue Restricting chart (see Figure 9).

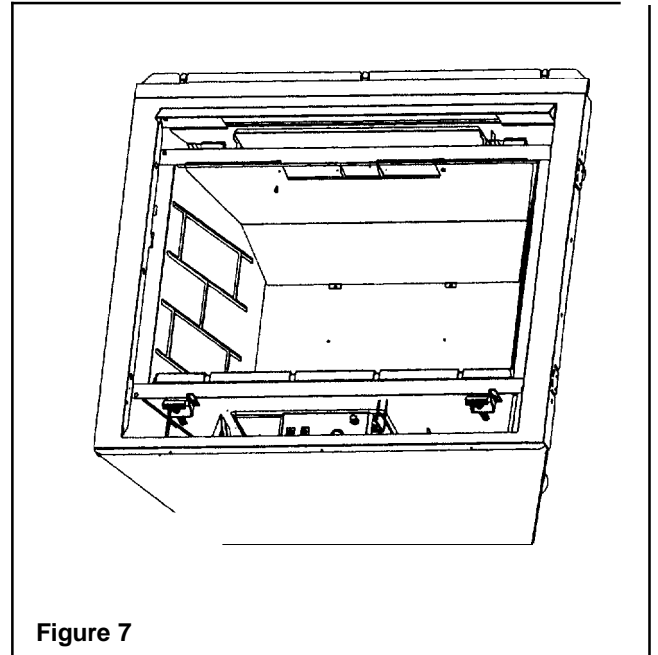


Figure 7

Adjustable Flue Restrictor (see Figure 8).

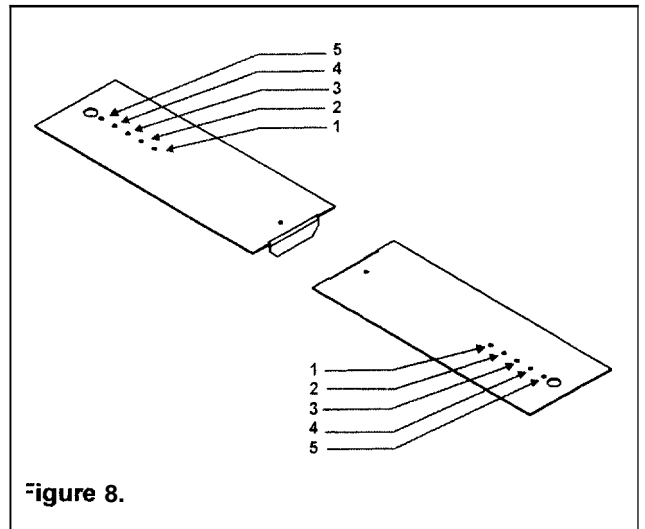
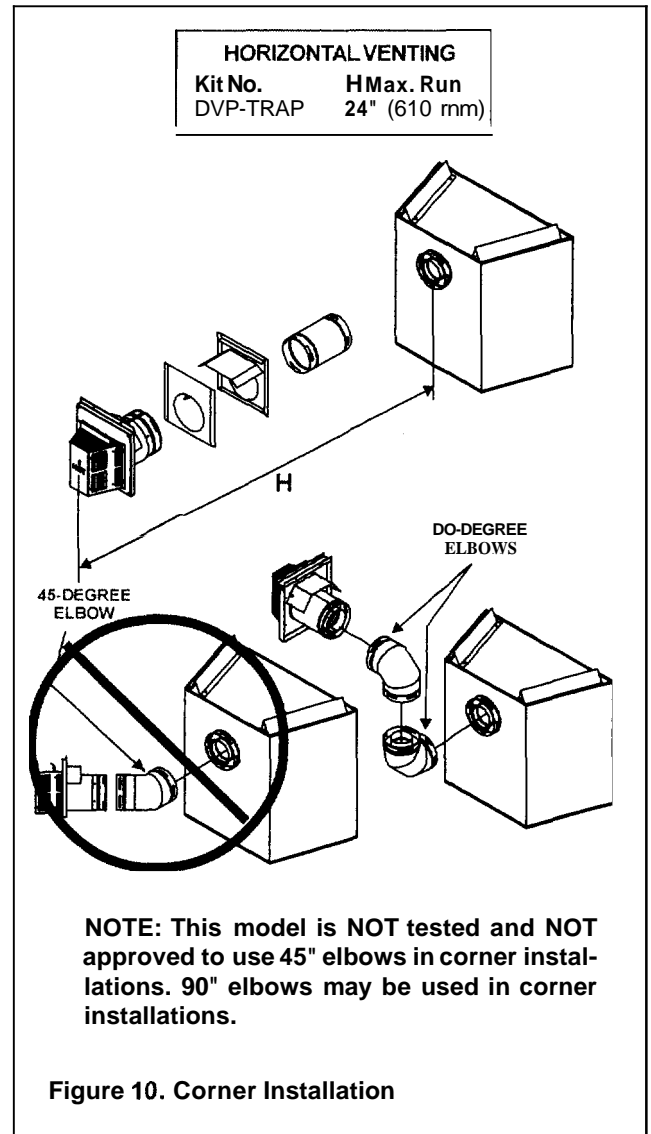


Figure 8.

Match the amount of vertical you have in the system with the chart to find the appropriate position to set the Flue Restrictor.

Figure 9.

- CHART -				
Vertical	Top Vent NG	Top Vent LP	Rear Vent NG	Rear Vent LP
4'	2-2	2-3	No Restrictor	No Restrictor
8'	3-3	2-3	2-2	No Restrictor
15'	3-4	3-4	3-3	2-3
20'	4-4	3-4	3-4	3-4
25'	4-4	3-4	3-4	3-4
30'	4-4	4-4	4-4	3-4
35'	4-4	4-4	4-4	3-4
40'	4-5	4-4	4-4	4-4



VENTING WITH ONE 90° ELBOW

V	H
1' MIN (305mm)	2' MAX (610mm)
2' MIN (610mm)	4' MAX (1 22m)
3' MIN (914mm)	6' MAX (1 86m)
4' MIN (1 22m)	8' MAX (2.4m)
V+H=40' MAX (124m) H = 8' MAX (2.4m)	

NOTE: On vertical venting configurations where the vertical component is over 10 feet, adjust the flue restrictor installed on the unit to improve flame appearance

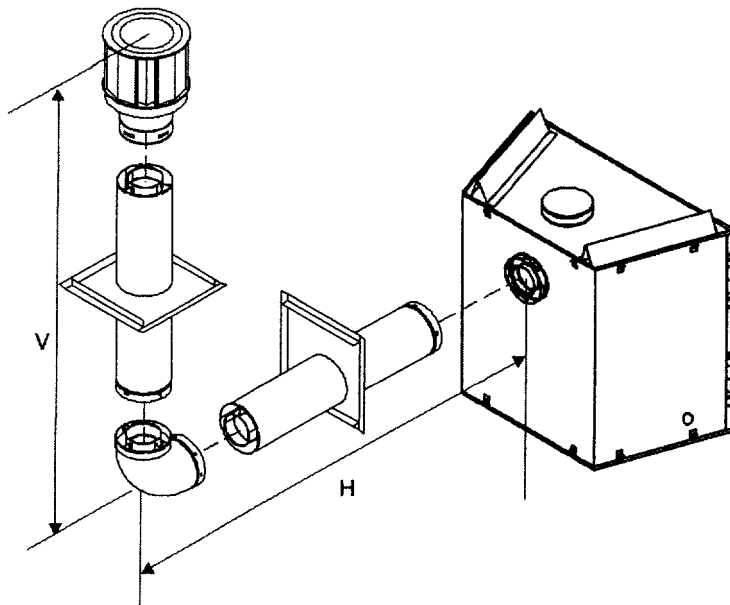
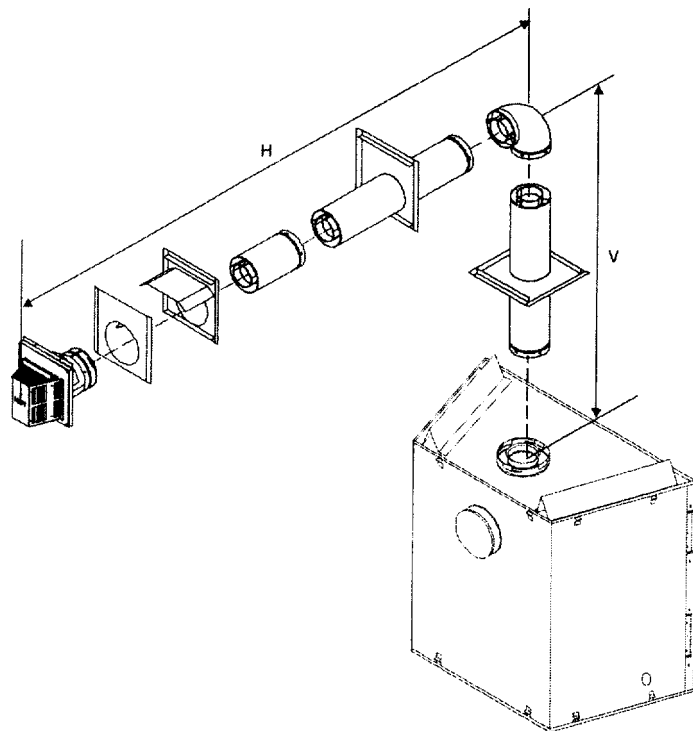
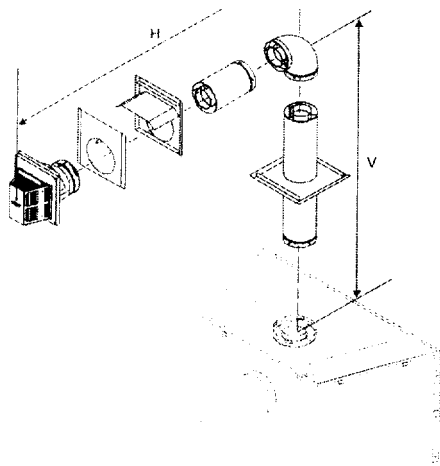


Figure 11. Venting with One 90° Elbow

VENTING WITH ONE (1) 90° ELBOW

V (FT.)	H (FT.)
1' MIN (305mm)	5' MAX. (1 52m)
2' MIN (610mm)	10' MAX (3 1m)
3' MIN (914mm)	15' MAX (4 65m)
4' MIN (1 22m)	20' MAX (6 2m)
V+H= 40' MAX (124MM) H = 20' MAX (62m)	



NOTE: For corner installations: A 6-inch (152mm) section of straight pipe may need to be attached to the fireplace before a 90° elbow, to allow the vent pipe to clear the top standoffs.

NOTE: If a 90° elbow is first attached to the unit, the maximum horizontal run is 3-feet (914mm).

Figure 12. Venting with One 90° Elbow

Vent 2 90°

