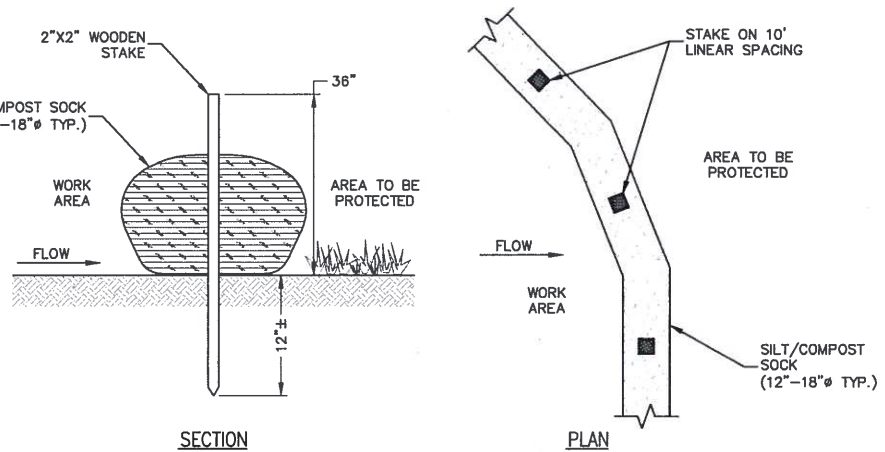


- NOTE:**
1. SEE SITE SW-1 FOR LOCATION OF PROPOSED GRASSED CHANNEL.
  2. LINE SWALE WITH RIP-RAP 6" MIN. DIA.

**DRAINAGE CHANNEL**  
SCALE: N.T.S.

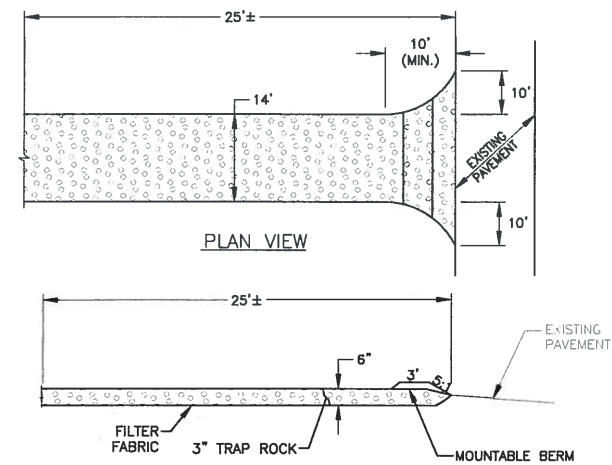
1



- FILTER SOCK NOTES:**
1. NO TRENCHING IS REQUIRED. TIE A KNOT IN ONE END OF THE MESH SOCK, FILL THE SOCK WITH COMPOSTED MATERIAL (USING A PNEUMATIC BLOWER) AND KNOT THE OPPOSITE END ONCE THE DESIRED LENGTH IS ACHIEVED.
  2. COMPOST FILTER SOCKS SHOULD BE INSPECTED REGULARLY, AS WELL AS AFTER EACH RAINFALL EVENT, TO ENSURE THEY ARE INTACT AND THE AREA BEHIND THE SOCK IS NOT FILLED WITH SEDIMENT. ONCE SEDIMENT REACHES ONE HALF THE HEIGHT OF THE SOCK, REMOVE SEDIMENT BY HAND AND DISPOSE OF PROPERLY.
  3. REFER TO MANUFACTURER'S SPECIFICATIONS FOR PROPER INSTALLATION AND MAINTENANCE METHODS.

**SEDIMENTATION FILTER SOCK DETAIL**  
SCALE: N.T.S.

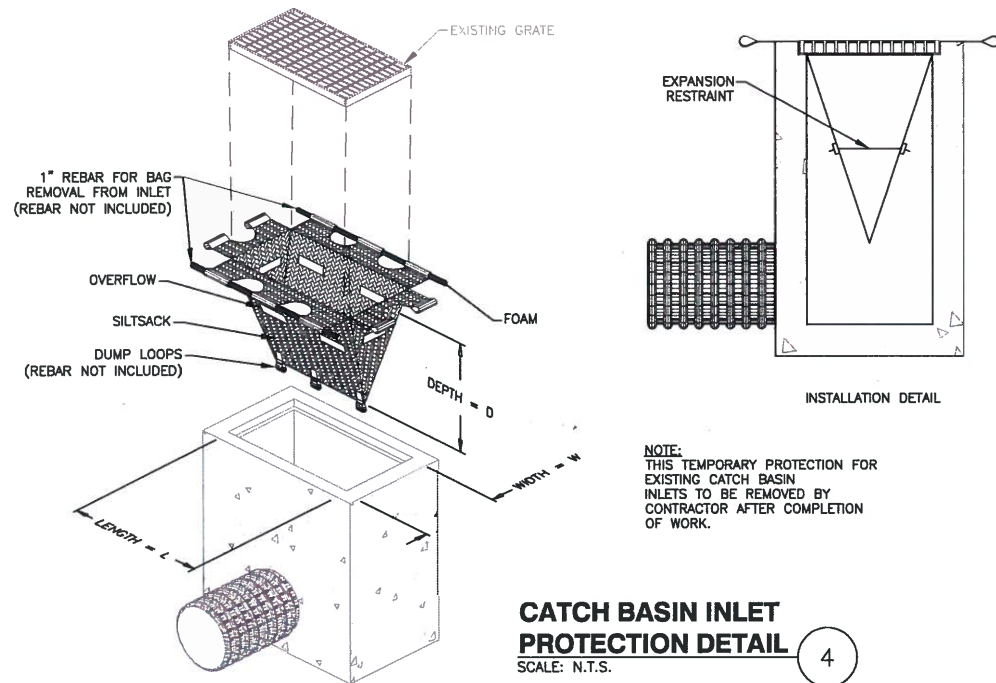
2



- NOTES:**
1. ENTRANCE WIDTH SHALL BE A TEN (10) FOOT MINIMUM, BUT NOT LESS THAN THE FULL WIDTH AT POINTS WHERE INGRESS OR EGRESS OCCURS.
  2. THE ENTRANCE SHALL BE MAINTAINED IN A CONDITION WHICH SHALL PREVENT TRACKING OR FLOWING OF SEDIMENT ONTO PUBLIC RIGHTS-OF-WAY. THIS MAY REQUIRE PERIODIC TOP DRESSING WITH ADDITIONAL STONE AS CONDITIONS DEMAND AND REPAIR OR CLEANOUT OF ANY MEASURES USED TO TRAP SEDIMENT. ALL SEDIMENT SPILLED, DROPPED, WASHED OR TRACKED ONTO PUBLIC RIGHTS-OF-WAY MUST BE REMOVED IMMEDIATELY. BERM SHALL BE PERMITTED. PERIODIC INSPECTION AND MAINTENANCE SHALL BE PROVIDED AS NEEDED.

**STABILIZED CONSTRUCTION ACCESS**  
SCALE: N.T.S.

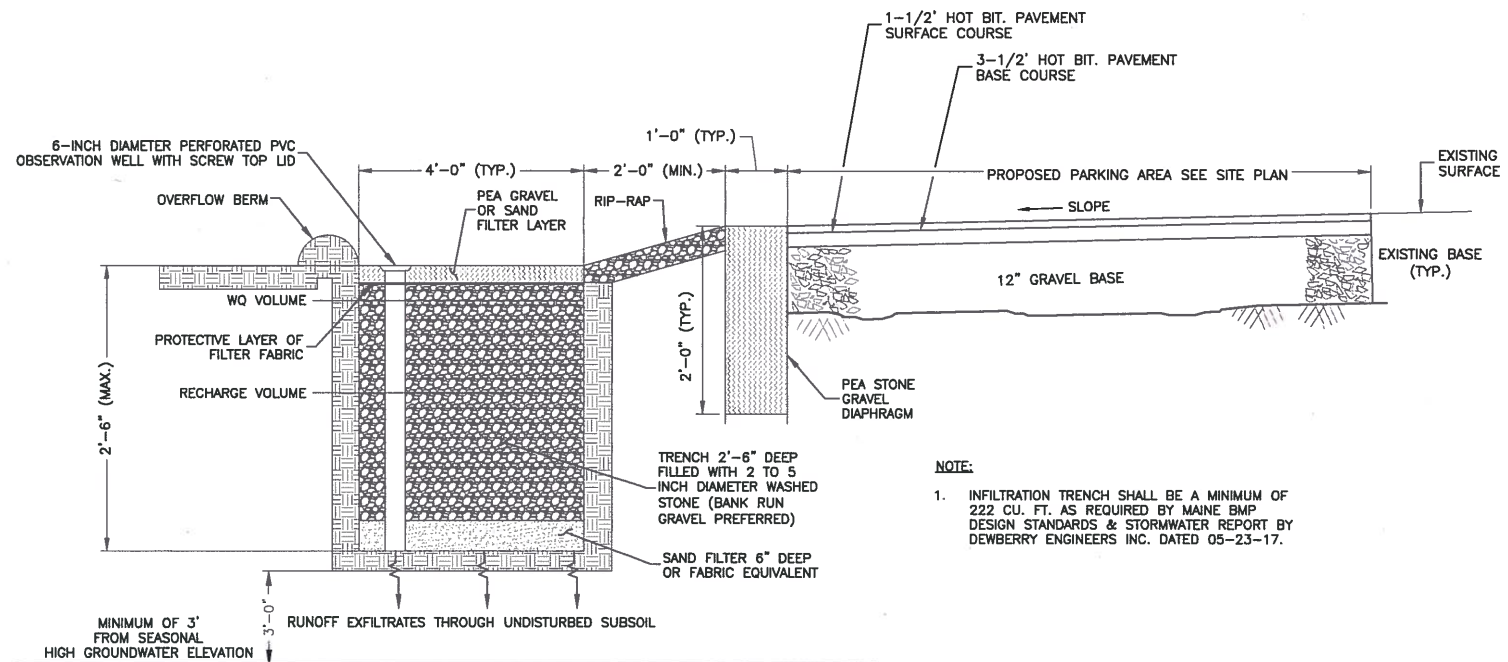
3



**NOTE:**  
THIS TEMPORARY PROTECTION FOR EXISTING CATCH BASIN INLETS TO BE REMOVED BY CONTRACTOR AFTER COMPLETION OF WORK.

**CATCH BASIN INLET PROTECTION DETAIL**  
SCALE: N.T.S.

4



- NOTE:**
1. INFILTRATION TRENCH SHALL BE A MINIMUM OF 222 CU. FT. AS REQUIRED BY MAINE BMP DESIGN STANDARDS & STORMWATER REPORT BY DEWBERRY ENGINEERS INC. DATED 05-23-17.

**CROSS SECTION WITH INFILTRATION TRENCH**  
SCALE: N.T.S.

5



VERIZON WIRELESS  
118 FLANDERS ROAD  
WESTBOROUGH, MA 01581-3956

**PORTLAND ME HEAD END**

**CONSTRUCTION DRAWINGS**

O	11/27/17	FOR CONSTRUCTION
C	10/30/17	90% SUBMITTAL
B	10/04/17	80% SUBMITTAL
A	04/14/17	50% SUBMITTAL



Dewberry Engineers Inc.  
280 SUMMER STREET  
10TH FLOOR  
BOSTON, MA 02210  
PHONE: 617.695.3400  
FAX: 617.695.3310



DRAWN BY:	SK
REVIEWED BY:	MFT
CHECKED BY:	BBR
PROJECT NUMBER:	50002925
JOB NUMBER:	50080012
SITE ADDRESS:	

1531 CONGRESS ST.  
PORTLAND, ME 04102

SHEET TITLE

STORMWATER DETAILS

SHEET NUMBER

SW-2