

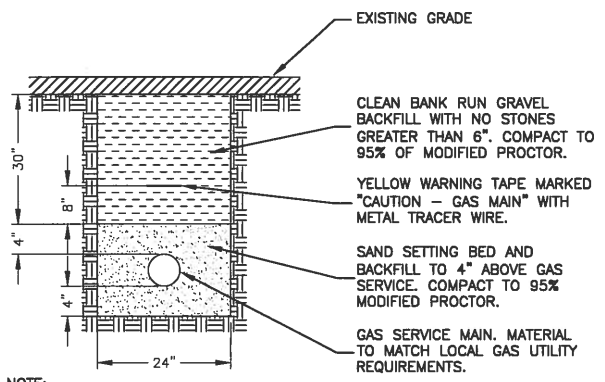
CONGRESS STREET

NOTES:

1. WORK SHALL START AT THE DISCHARGE SIDE OF THE METER/REGULATOR ASSEMBLY INSTALLED BY THE GAS SUPPLIER.
2. INSTALL EMERGENCY GLASS NATURAL GAS SHUTDOWN AT GENERATOR AREA & VERIZON WIRELESS EQUIPMENT ROOM.
3. GENERATOR REQUIRES OPTIMUM WC LEVEL 11"-14". VERIFY WITH MANUFACTURER PRIOR & NATURAL GAS PROVIDER.
4. VERIFY LOCATION OF NEAREST GAS LINE WITH UTILITY COMPANY PRIOR TO CONSTRUCTION.
5. GAS BOOSTER SHALL REQUIRE 3'-0" MIN. CLEARANCE ON 3-SIDES.

PARTIAL SITE PLAN

SCALE: 1 1/2"=1' FOR 11"x17"
3"=1' FOR 22"x34"



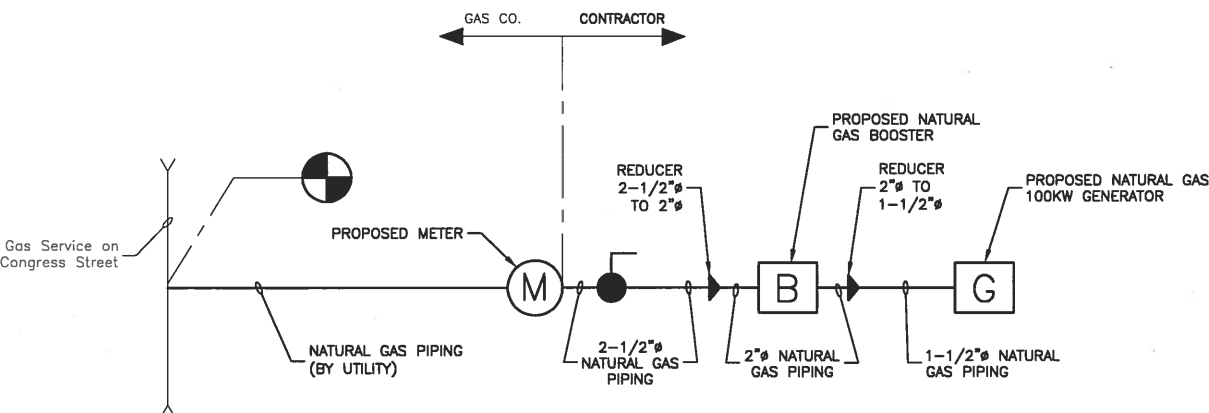
NOTE:

1. CONTRACTOR SHALL FOLLOW APPLICABLE MATERIALS AND SPECIFICATION REQUIREMENTS AS DIRECTED BY LOCAL AND REGIONAL GAS UTILITY COMPANY.

GAS TRENCH DETAIL

SCALE: N.T.S.

LEGEND				
SYMBOL	ABBREVIATIONS	DESCRIPTION	ABBREVIATIONS	DESCRIPTION
		BALL VALVE	AFF	ABOVE FINISH FLOOR
		GAS COCK	AFR	ABOVE FINISH ROOF
		SOLENOID VALVE	BOP	BOTTOM OF PIPE
		PIPE DROP OR PIPE THRU FLOOR PLAN SHOWN	CFH	CUBIC FEET PER HOUR
		PIPE THRU FLOOR ABOVE	CLG	CEILING
	CTE	CONNECT TO EXISTING	CW	COLD WATER
	G	GAS PIPING	DN	DOWN
		CAP	ETR	EXISTING TO REMAIN
		GAS BOOSTER	G	GAS MAIN
		REGULATOR	HW	HOT WATER
		STRAINER	IN	INCHES
			NTS	NOT TO SCALE
			RED	REDUCER
			SS	STAINLESS STEEL
			ST	STEEL
			TOP	TOP OF PIPE
			TYP	TYPICAL
			V	VENT
			VTR	VENT THRU ROOF
			WC	WATER COLUMN



NOTES:

1. WORK SHALL START WITH THE EMERGENCY SHUT-OFF VALVE AT THE DISCHARGE SIDE OF THE METER/REGULATOR ASSEMBLY INSTALLED BY THE GAS SUPPLIER.
2. INSTALL EMERGENCY GLASS NATURAL GAS SHUTDOWN AT GENERATOR AREA & VERIZON WIRELESS EQUIPMENT ROOM.
3. GENERATOR REQUIRES OPTIMUM WC LEVEL 11"-14" PER MANUFACTURER. CONFIRM WITH MANUFACTURER PRIOR TO COORDINATION WITH UTILITY COMPANY.
4. VERIFY LOCATION OF NEAREST GAS LINE WITH LOCAL UTILITY COMPANY PRIOR TO CONSTRUCTION.

NATURAL GAS SCHEMATIC

SCALE: N.T.S.



VERIZON WIRELESS
118 FLANDERS ROAD
WESTBOROUGH, MA 01581-3956

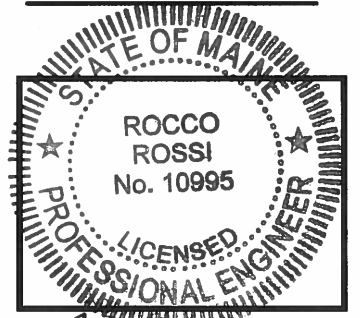
PORTLAND ME HEAD END

CONSTRUCTION DRAWINGS

REV	DATE	DESCRIPTION
D	11/27/17	FOR CONSTRUCTION
C	10/30/17	90% SUBMITTAL
B	10/04/17	80% SUBMITTAL
A	04/14/17	50% SUBMITTAL



Dewberry Engineers Inc.
280 SUMMER STREET
10TH FLOOR
BOSTON, MA 02210
PHONE: 617.695.3400
FAX: 617.695.3310



DRAWN BY: SK
REVIEWED BY: MFT
CHECKED BY: BBR
PROJECT NUMBER: 50002925
JOB NUMBER: 50080012
SITE ADDRESS:

1531 CONGRESS ST.
PORTLAND, ME 04102

SHEET TITLE

NATURAL GAS ROUTING & PLUMBING SCHEMATIC

SHEET NUMBER