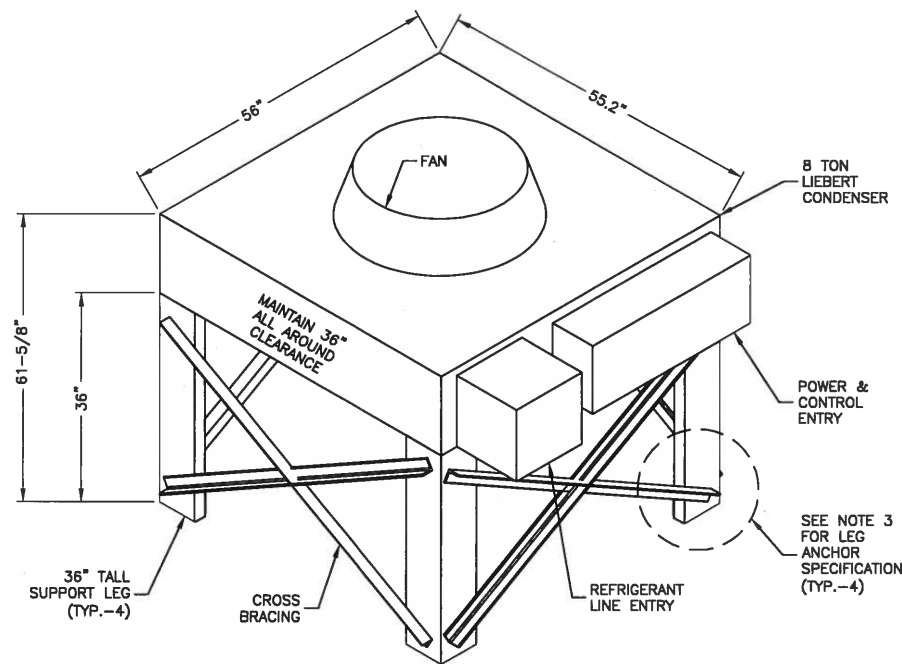


- NOTE:**
1. PROVIDE EQUIPMENT SPECIFICATIONS FOR REVIEW & APPROVAL.

AIR HANDLER	
MANUFACTURER:	LIEBERT
MODEL:	PDX-PX029
TOTAL COOLING (BTU/HR):	99,000
SENSIBLE COOLING CAPACITY:	90,000
NOMINAL TONS:	8
VOLTAGE:	208V, 3PH
DRY WEIGHT (LBS):	1,440

AIR HANDLER DETAIL
SCALE: N.T.S.

1



CONDENSER NOTES:

1. PROVIDE VIBRATION DAMPENING PADS UNDER CONDENSER SUPPORT LEGS.
2. MOUNT CONDENSERS TO PAD WITH HILTI KB3 EXPANSION ANCHOR. SIZE PER MANUFACTURES RECOMMENDATIONS.

MANUFACTURER:	LIEBERT
MODEL:	MCL055
VOLTAGE:	208V

CONDENSER DETAIL

SCALE: N.T.S.

2

HVAC NOTES:

1. PROVIDE A LEAK DETECTION, CONDENSATE PAN, PUMP, POWER & ALARM FOR EACH AIR HANDLER & ROUTE CONDENSATE PUMP LINE TO EXTERIOR. COORDINATE ROUTE & LOCATION WITH VERIZON CM.
2. PROVIDE VIBRATION DAMPENING PADS UNDER EACH AIR HANDLER & CONDENSER.
3. VERIFY ALL POWER & REFRIGERANT ROUTING WITH VERIZON CM PRIOR TO CONSTRUCTION & PURCHASE OF MATERIALS.
4. INSTALL ALL EQUIPMENT PER MANUFACTURES RECOMMENDATIONS & PER APPLICABLE CODE REQUIREMENTS.
5. FIRE STOP ALL INTERIOR WALL & FLOOR PENETRATIONS. OBTAIN ANY PERMITS & SUPPLY A FIRE WATCH AS NEEDED FOR ANY WELDING OR OPEN FLAME REQUIRED FOR SYSTEM INSTALLATION.
6. THE (4) A/C UNITS SHALL BE INTERCONNECTED & COORDINATED. CONFIRM SYSTEM CONFIGURATION & CYCLE AT TIME OF INSTALLATION WITH VERIZON CM. SET LEAD/LAG CYCLE SCHEDULE FOR OPERATION OF ALL A/C UNITS IN ORDER TO MAINTAIN UNITS PEAK OPERATIONAL CONDITION UNTIL EQUIPMENT SPACE IS FULLY LOADED.
7. CONTRACTOR SHALL INSTALL THERMOSTATS, SMOKE DETECTORS & ASSOCIATED CONTROL DEVICES REQUIRED TO OPERATE & MAINTAIN REQUIRED VERIZON ROOM TEMPERATURE. PROVIDE WALL MOUNTED VNSA-B NETWORK SWITCH FOR COMMUNICATION & LEAD LAG CONTROL.
8. INSTALL ALL LIEBERT EQUIPMENT PER MANUFACTURER'S SPECIFICATIONS.
9. RAISED FLOOR SYSTEM SHALL BE 14" ABOVE FLOOR SLAB.
10. SYSTEM IS TO BE TESTED & BALANCED PER LIEBERT & TATE RECOMMENDATIONS.
11. INSTALL PIPING & VALVES PER PER MANUFACTURERS RECOMMENDATIONS & LATEST EDITION OF MA STATE BUILDING CODE.
12. EACH UNIT WILL REQUIRE (2) 1-1/8" DIAMETER COPPER HOT GAS LINES & (2) 7/8" DIAMETER COPPER LIQUID LINES. FIELD VERIFY CONDUIT LENGTH & CONFIRM LINE SIZE WITH MANUFACTURER PRIOR TO CONSTRUCTION.
13. PROVIDE 5-YEAR WARRANTY FOR SYSTEM COMPRESSORS.
14. INSTALL SMOKE DETECTION IN RAISED FLOOR FOR AIR FLOW TERMINATION UPON SMOKE DETECTION.
15. THE AIR HANDLER UNITS TO BE PROVIDED WITH A FACTORY INSTALLED MICROPROCESSOR-BASED LIEBERT ICOM CONTROLLER WITH 9" COLOR TOUCH SCREEN DISPLAY COMPLETED WITH SENSORS, ALARMS, AND A LIEBERT VNSA NETWORK SWITCH.
16. EACH AIR HANDLER UNIT SHALL BE PROVIDED WITH FACTORY-SET PRECISE MONITORING AND CONTROL OF THE ENTERING AND LEAVING AIR TEMPERATURE.
17. EACH AIR HANDLER UNIT SHALL BE PROVIDED WITH FACTORY INSTALLED TEMPERATURE SENSORS, HUMIDITY SENSORS, SMOKE DETECTORS, AND MERV 8 FILTERS.
18. EACH AIR HANDLER UNIT SHALL BE PROVIDED WITH AN R-410A DIGITAL SCROLL COMPRESSOR.



VERIZON WIRELESS
118 FLANDERS ROAD
WESTBOROUGH, MA 01581-3956

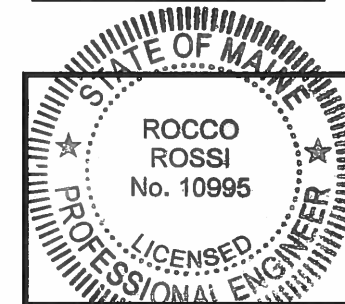
PORTLAND ME HEAD END

CONSTRUCTION DRAWINGS

D	11/27/17	FOR CONSTRUCTION
C	10/30/17	90% SUBMITTAL
B	10/04/17	80% SUBMITTAL
A	04/14/17	50% SUBMITTAL



Dewberry Engineers Inc.
280 SUMMER STREET
10TH FLOOR
BOSTON, MA 02210
PHONE: 617.695.3400
FAX: 617.695.3310



DRAWN BY: SK

REVIEWED BY: MFT

CHECKED BY: BBR

PROJECT NUMBER: 50002925

JOB NUMBER: 50080012

SITE ADDRESS:

1531 CONGRESS ST.
PORTLAND, ME 04102

SHEET TITLE

HVAC DETAILS

SHEET NUMBER

M-2