

CAT-5 CABLE CONNECTION BETWEEN AHU & NETWORK SWITCH (TYP.-4)

LIEBERT NETWORK SWITCH (SEE NOTE 11)

RAISED FLOOR PLAN

SCALE: 3/16"=1' FOR 11"x17"
3/8"=1' FOR 22"x34"



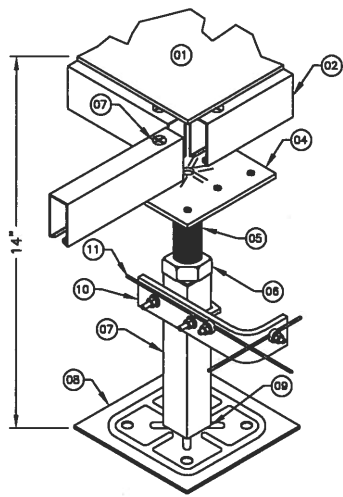
1

LEGEND			
SYMBOL	SIZE	STATIC LOAD	APPR. NUMBER *
	PERF 800 (PERFORATED) 2'x2'	800 LBS	15
	CC1250 SOLID 2'x2'	1250 LBS	TBD
	CC2500 HEAVY DUTY 2'x2'	2500 LBS	26

* SEE RAISED FLOOR NOTE 4.

RAISED FLOOR NOTES:

- NORTH ARROW SHOWN AS APPROXIMATE.
- SOME EXISTING & PROPOSED INFORMATION NOT SHOWN FOR CLARITY.
- FLOOR SYSTEM IS BY TATE. LOCAL REP IS LONGDEN & CO. CONTACT: MIKE SMITH 978-568-1800. INSTALL SYSTEM PER MANUFACTURERS RECOMMENDATIONS.
- CONFIGURATION & QUANTITIES SHOWN ARE FOR GENERAL REFERENCE ONLY & HIGHLIGHT AREAS REQUIRING HEAVY DUTY PANELS OR PERFORATED PANELS FOR COOLING. INSTALLER SHALL PROVIDE SHOP DRAWINGS & CALCULATIONS OF FLOOR SYSTEM BASED ON EQUIPMENT LOCATION & HEAT LOADS. THESE SHALL BE REVIEWED & APPROVED PRIOR TO ORDERING OR INSTALLING. THE SYSTEM IS TO BE TESTED & BALANCED PER LIEBERT & TATE RECOMMENDATIONS.
- INSTALL CC2500 UNDER ALL BATTERIES & POWER CABINETS. HEAVY DUTY PEDESTALS ARE TO BE INSTALLED UNDER ALL BATTERIES.
- DO NOT EXCEED FLOOR SYSTEM DESIGN LOADING.
- TOP OF FLOOR SYSTEM WILL BE 14" ABOVE EXISTING CONCRETE PAD.
- PANELS ARE TO BE FACTORY LAMINATED FORMICA WITH INTEGRAL TRIM EDGE. VERIFY FINAL TYPE & COLOR WITH VERIZON CM.
- PEDESTAL GROUND CLAMPS & GROUND CONDUCTORS SHALL BE SUPPLIED & INSTALLED BY CONTRACTOR. GROUND EVERY 6TH PEDESTAL IN EACH DIRECTION. TIE LEADS INTO GROUND BAR IN EQUIPMENT SPACE ABOVE.
- COORDINATE LOCATION OF PERFORATED TILES & HOT/COLD AISLES AS NECESSARY. NO BARRIERS SHALL BE INSTALLED WITHIN RAISED FLOOR SYSTEM.
- (4) A/C UNITS SHALL BE INTERCONNECTED & COORDINATED. CONFIRM SYSTEM CONFIGURATION & CYCLE AT TIME OF INSTALLATION WITH VERIZON CM. SET LEAD/LAG CYCLE SCHEDULE FOR OPERATION OF ALL A/C UNITS IN ORDER TO MAINTAIN UNITS PEAK OPERATIONAL CONDITION UNTIL EQUIPMENT SPACE IS FULLY LOADED.
- INSTALL SMOKE DETECTION IN RAISED FLOOR FOR AIR FLOW TERMINATION UPON SMOKE DETECTION.



LEGEND

- 01 ACCESS FLOOR PANEL
- 02 ROLL FORMED GALVANNEALED STEEL STRINGER
- 03 1/4" - 20 X 1 3/4" SCREW
- 04 11 GAUGE DIE FORMED GALV. STEEL HEAD
- 05 STEEL STUD 3/4" - 10 UNC
- 06 NUT WITH VIBRATION PROOF LOCKING DEVICE
- 07 TYPE 1 BASE WITH 7/8" SQ X 17 GAUGE WALL GALV. TUBING
- 08 DIE FORMED EMBOSSED GALV. STEEL BASE
- 09 RESISTANCE WELD
- 10 HARGER PEDESTAL GROUND CLAMP PN: GPC6SQ
- 11 #6 GI STANDED GROUND CONDUCTOR

SEE NOTE 9

RAISED FLOOR ISOMETRIC

SCALE: 1/4"=1'

2



VERIZON WIRELESS
118 FLANDERS ROAD
WESTBOROUGH, MA 01581-3956

PORTLAND ME HEAD END

CONSTRUCTION DRAWINGS

D	11/27/17	FOR CONSTRUCTION
C	10/30/17	90% SUBMITTAL
B	10/04/17	80% SUBMITTAL
A	04/14/17	50% SUBMITTAL



Dewberry Engineers Inc.
280 SUMMER STREET
10TH FLOOR
BOSTON, MA 02210
PHONE: 617.695.3400
FAX: 617.695.3310



DRAWN BY: SK

REVIEWED BY: MFT

CHECKED BY: BBR

PROJECT NUMBER: 50002925

JOB NUMBER: 50080012

SITE ADDRESS:

1531 CONGRESS ST.
PORTLAND, ME 04102

SHEET TITLE

RAISED FLOOR PLAN

SHEET NUMBER

M-1