

**PORTLAND ME
HEAD END**

CONSTRUCTION DRAWINGS		
18, 3/4"		
D	11/27/17	FOR CONSTRUCTION
C	10/30/17	90% SUBMITTAL
B	10/04/17	80% SUBMITTAL
A	04/14/17	50% SUBMITTAL

Dewberry Engineers Inc.
280 SUMMER STREET
10TH FLOOR
BOSTON, MA 02210
PHONE: 617.685.3400
FAX: 617.685.3310



DRAWN BY: SK
REVIEWED BY: MFT
CHECKED BY: BBR
PROJECT NUMBER: 50002925
JOB NUMBER: 50080012
SITE ADDRESS:

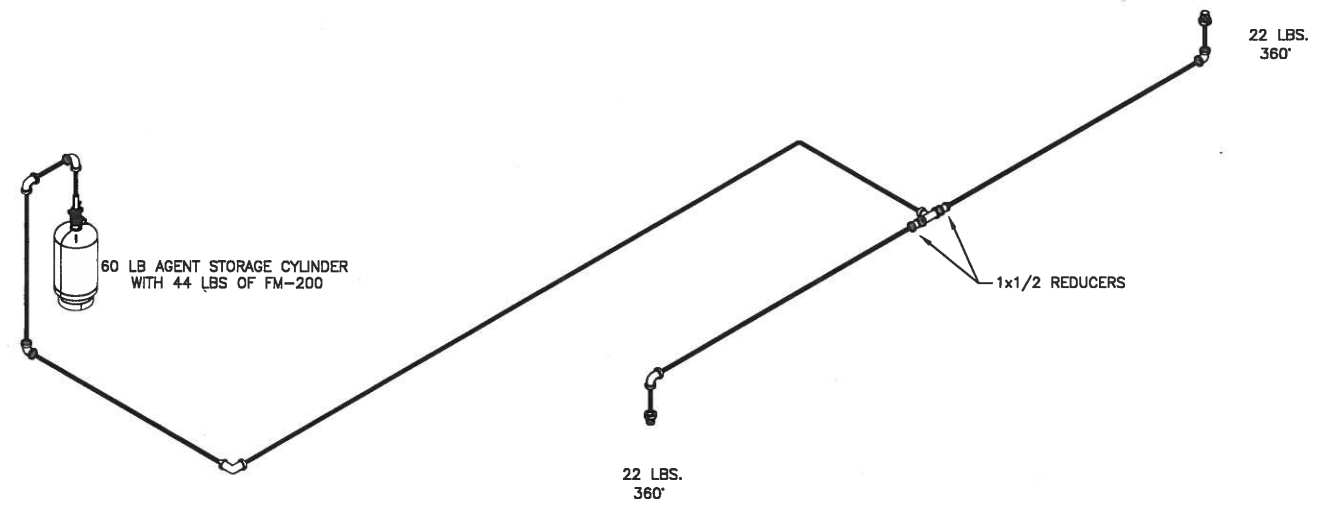
1531 CONGRESS ST.
PORTLAND, ME 04102

SHEET TITLE

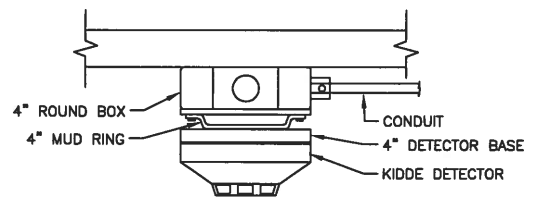
FIRE SUPPRESSION SYSTEM
DETAILS

SHEET NUMBER

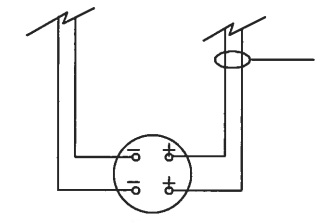
FS-3



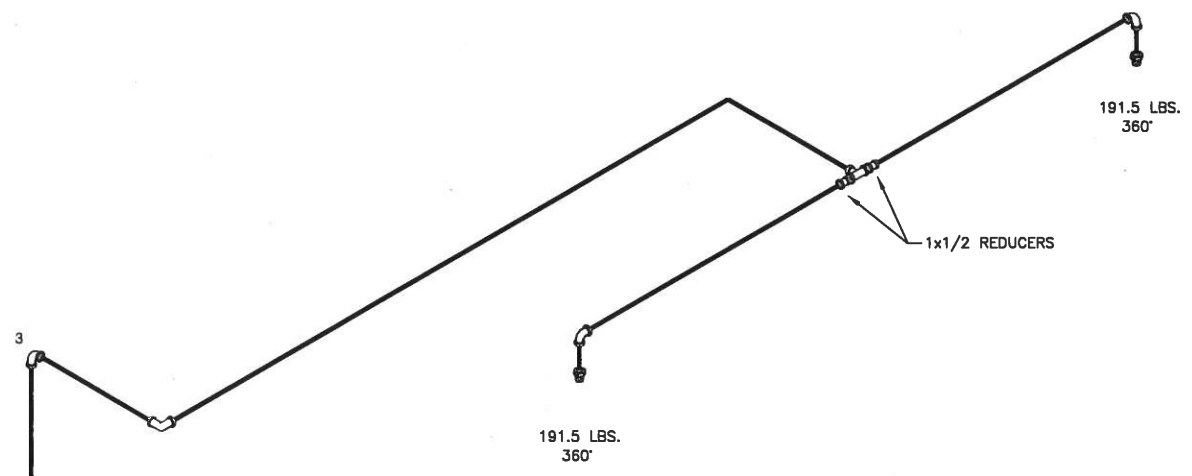
SUBFLOOR ISOMETRIC 1
SCALE: N.T.S.



4" DETECTOR & BASE DETAIL 3
SCALE: N.T.S.

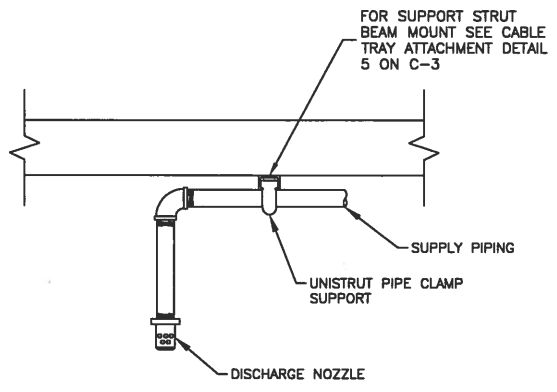


DETECTOR SCHEMATIC 4
SCALE: N.T.S.

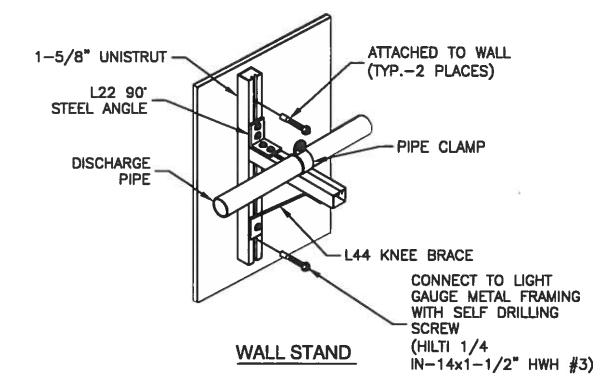


- NOTES:**
- FOR LAYOUT PURPOSES ONLY, NOT FOR FABRICATION.
 - ALL REDUCTIONS SHALL BE MADE USING REDUCERS OR REDUCING FITTINGS (BUSHINGS NOT PERMITTED).
 - VERIFY FINAL DESIGN PRIOR TO CONSTRUCTION.

PIPING ISOMETRIC 2
SCALE: N.T.S.



NOZZLE MOUNT DETAIL 5
SCALE: N.T.S.



PIPE BRACING 6
SCALE: N.T.S.

600 LB AGENT STORAGE CYLINDER WITH 383 LBS OF FM-200