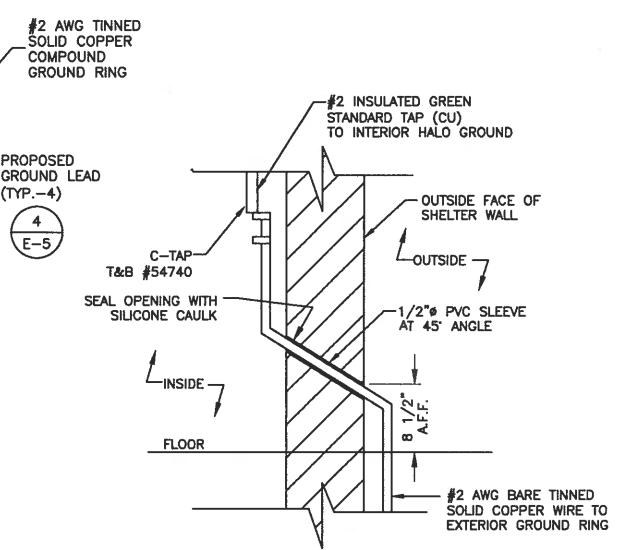
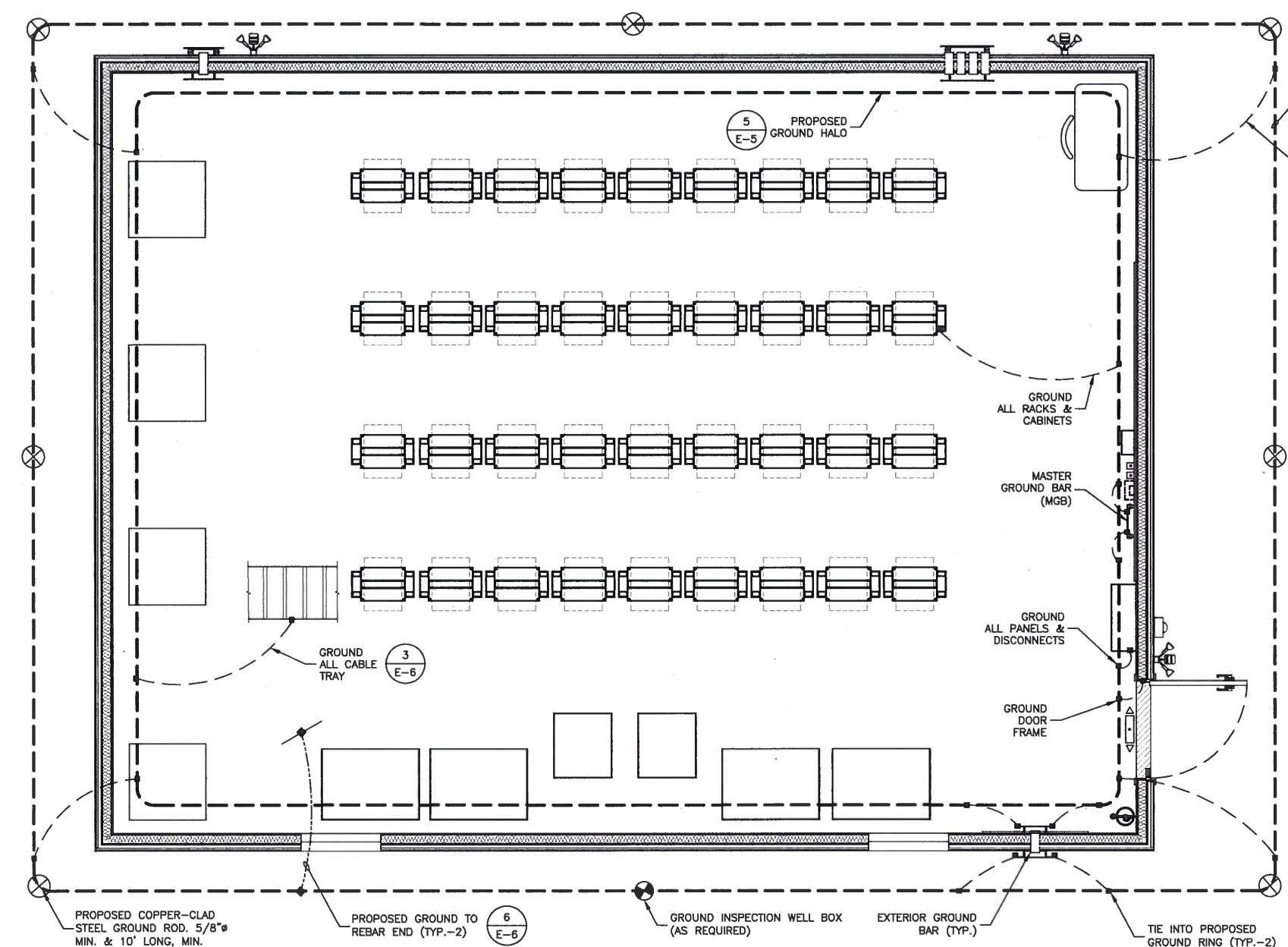
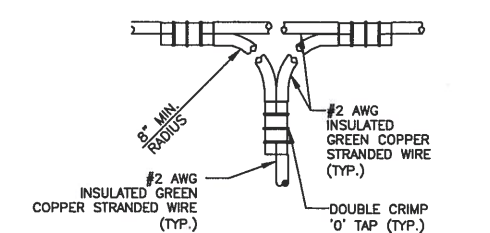


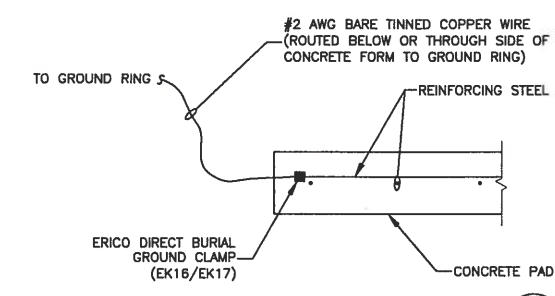
APPROXIMATE TRUE NORTH



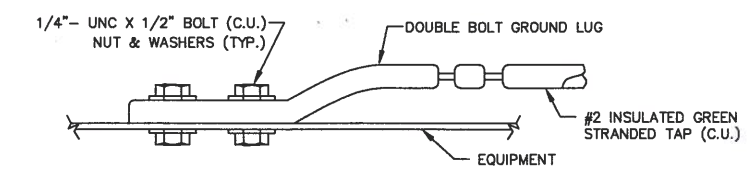
WALL GROUND PENETRATION
SCALE: N.T.S.



GROUND HALO DETAIL
SCALE: N.T.S.



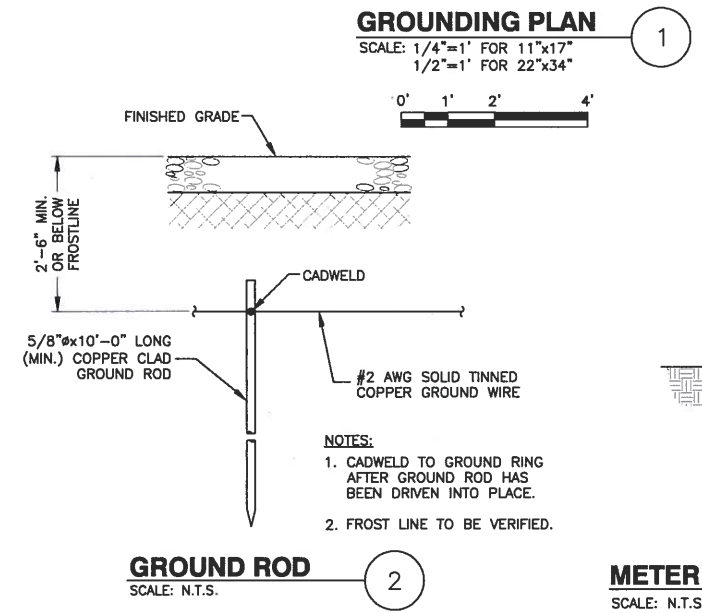
REBAR GROUNDING DETAIL
SCALE: N.T.S.



CONNECTION TO EQUIPMENT DETAIL
SCALE: N.T.S.

- NOTES:**
- #6 AWG GREEN INSULATED STRANDED EQUIPMENT GROUND CONNECTION SIMILAR.
 - ALL MISC. METALLIC OBJECTS INCLUDING FRAMES, A/C, CABLE RACKS, METALLIC CONDUITS & BATTERY STANDS SHALL BE BONDED TO INTERIOR HALO WITH #6 AWG GREEN INSULATED STRANDED.
 - SUPPORT THE HALO CONDUCTORS WITH ISOLATION WALL MOUNTS AS REQUIRED BY SITE CONDITIONS.
 - CONDENSER GROUND RING NOT SHOWN FOR CLARITY. SEE GROUNDING DIAGRAM ON SHEET E-6 FOR ADDITIONAL INFORMATION

GROUNDING LEGEND	
	GROUND BAR
	GROUND COPPER WIRE, SIZE AS NOTED
	PROPOSED GROUND RING
	MECHANICAL GROUND CONNECTION
	5/8"x10" COPPER CLAD STEEL GROUND ROD
	EXOTHERMIC (CADWELD) CONNECTION
	INSPECTION WELL



GROUND ROD
SCALE: N.T.S.

METER SOCKET GROUNDING
SCALE: N.T.S.

verizon
WIRELESS
VERIZON WIRELESS
118 FLANDERS ROAD
WESTBOROUGH, MA 01581-3956

PORTLAND ME HEAD END

CONSTRUCTION DRAWINGS		
O	11/27/17	FOR CONSTRUCTION
C	10/30/17	90% SUBMITTAL
B	10/04/17	80% SUBMITTAL
A	04/14/17	50% SUBMITTAL

Dewberry

Dewberry Engineers Inc.
280 SUMMER STREET
10TH FLOOR
BOSTON, MA 02210
PHONE: 617.895.3400
FAX: 617.895.3310



DRAWN BY:	SK
REVIEWED BY:	MFT
CHECKED BY:	BBR
PROJECT NUMBER:	50002925
JOB NUMBER:	50080012
SITE ADDRESS:	

1531 CONGRESS ST.
PORTLAND, ME 04102

SHEET TITLE	
GROUNDING PLAN & DETAILS	
SHEET NUMBER	

E-5