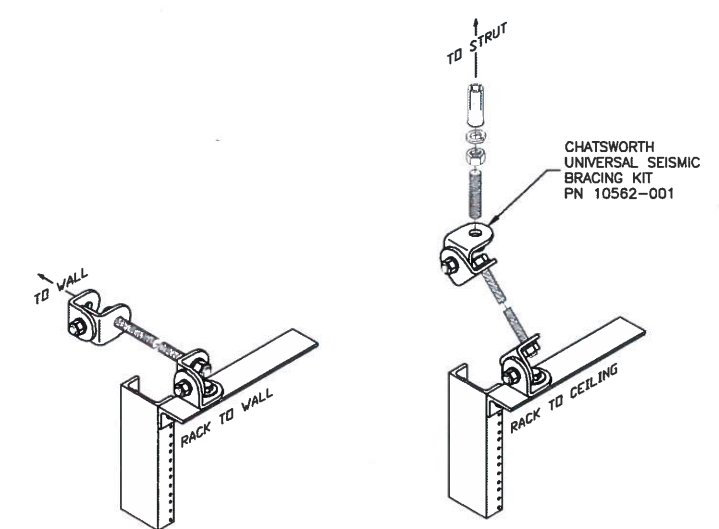


CABLE TRAY PLAN 1
 SCALE: 3/16"=1' FOR 11"x17"
 3/8"=1' FOR 22"x34"
 0' 2' 4' 6'

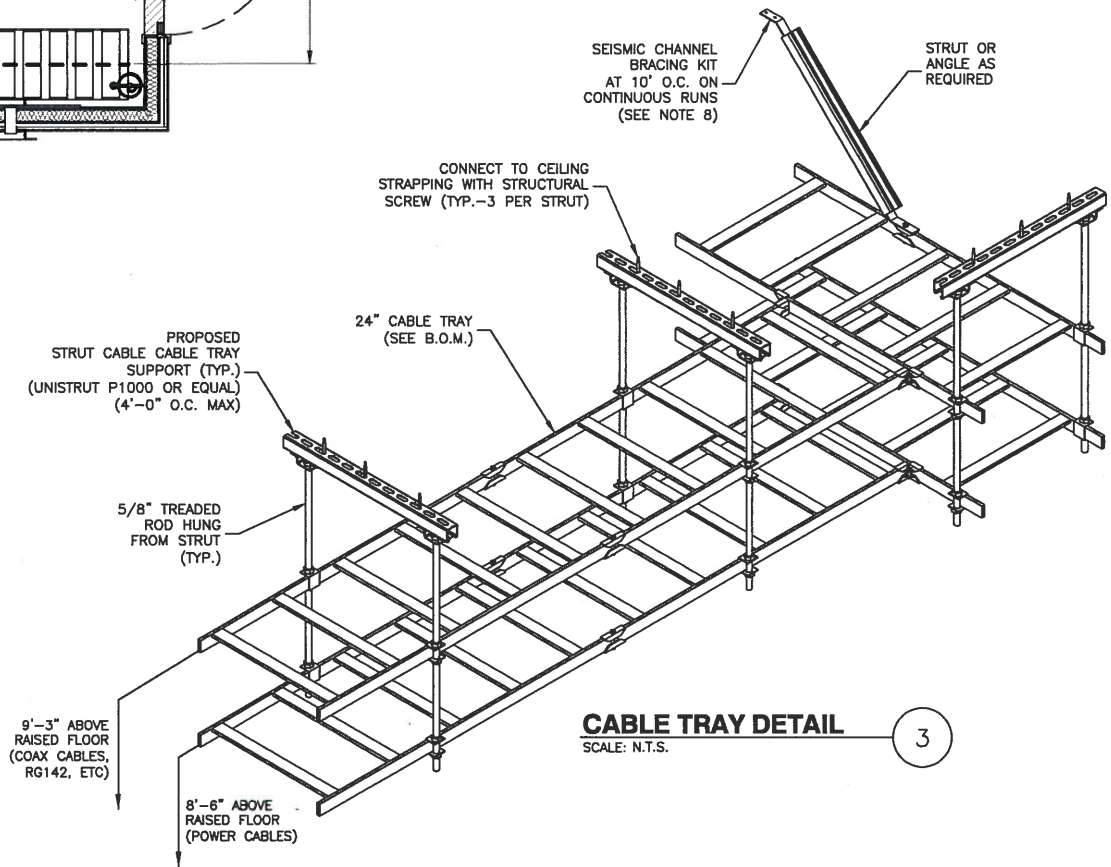
24" CABLE TRAY PARTS-BOM	
NEWTON INSTRUMENT #0020032630, 24-INCH CABLE TRAY	
NEWTON INSTRUMENT #0021170000, CABLE TRAY FINISH CAP	
NEWTON INSTRUMENT #0020110010, SPLICE CLAMP	
NEWTON INSTRUMENT #0020130010, CORNER CLAMP	
NEWTON INSTRUMENT #0020660030, CEILING HANGER BRACKET	
NEWTON INSTRUMENT #0020460010, CABLE RACK HANGER	
NEWTON INSTRUMENT #2023935110, 5/8"x10' TREADED ROD	
NEWTON INSTRUMENT #2111990400, 5/8" TREADED ROD END CAP	
NEWTON INSTRUMENT #0030530310, 5/8" TREADED ROD COUPLER	
NEWTON INSTRUMENT #0030140810, 5/8"-11 NUT	
NEWTON INSTRUMENT #0020830230, WALL TERMINATION BRACKET	
NEWTON INSTRUMENT #2126590030, POWER CABLE BRACKET	
NEWTON INSTRUMENT #0020851230, 24" END CLOSING BAR	

- CABLE TRAY NOTES:**
- COORDINATE FINAL TRAY CONFIGURATIONS WITH VERIZON CM PRIOR TO CONSTRUCTION.
 - NOT ALL REQUIRED PARTS ARE SPECIFIED. FIELD VERIFY CABLE TRAY REQUIREMENTS AND COORDINATE WITH MANUFACTURER.
 - GROUND ALL TRAYS SECTIONS.
 - PROVIDE SEISMIC BRACING FOR CABLE TRAY. CONNECT BRACING TO CEILING STRUCTURAL MEMBERS.
 - DETAIL IS SCHEMATIC. STRUT & CABLE TRAY ORIENTATION VARY.
 - SEE CABLE TRAY PLAN & B.O.M. THIS SHEET.
 - FINISH SPECIFIED IS 30-TELEPHONE EQUIPMENT GRAY. VERIFY FINAL FINISH WITH CM.
 - INSTALL UNISTRUT IN 10' SECTIONS ALONG CEILING TRUSS FOR CABLE TRAY & SEISMIC BRACING ATTACHMENT.



- NOTES:**
- PROVIDE MOUNTING HARDWARE AS REQUIRED BY FIELD CONDITIONS.
 - ONE BRACE REQUIRED FOR EACH RF TRAY RACK.
 - INSTALL PER MANUFACTURERS RECOMMENDATIONS.
 - INSTALL UNISTRUT IN 10' SECTIONS ALONG CEILING TRUSS FOR CABLE TRAY & SEISMIC BRACING ATTACHMENT.

UNIVERSAL SEISMIC BRACING KIT 2
 SCALE: N.T.S.



CABLE TRAY DETAIL 3
 SCALE: N.T.S.

verizon WIRELESS
 VERIZON WIRELESS
 118 FLANDERS ROAD
 WESTBOROUGH, MA 01581-3956

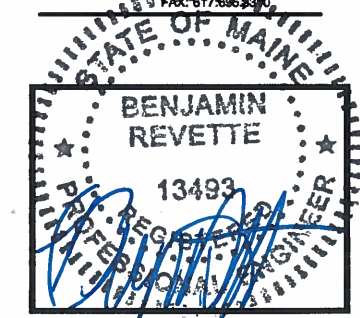
PORTLAND ME HEAD END

CONSTRUCTION DRAWINGS

REV	DATE	DESCRIPTION
0	11/27/17	FOR CONSTRUCTION
C	10/30/17	90% SUBMITTAL
B	10/04/17	80% SUBMITTAL
A	04/14/17	50% SUBMITTAL

Dewberry

Dewberry Engineers Inc.
 280 SUMMER STREET
 10TH FLOOR
 BOSTON, MA 02210
 PHONE: 617.695.3400
 FAX: 617.695.3390



DRAWN BY:	SK
REVIEWED BY:	MFT
CHECKED BY:	BBR
PROJECT NUMBER:	50002925
JOB NUMBER:	50080012
SITE ADDRESS:	

1531 CONGRESS ST.
 PORTLAND, ME 04102

SHEET TITLE	CABLE TRAY PLAN
SHEET NUMBER	