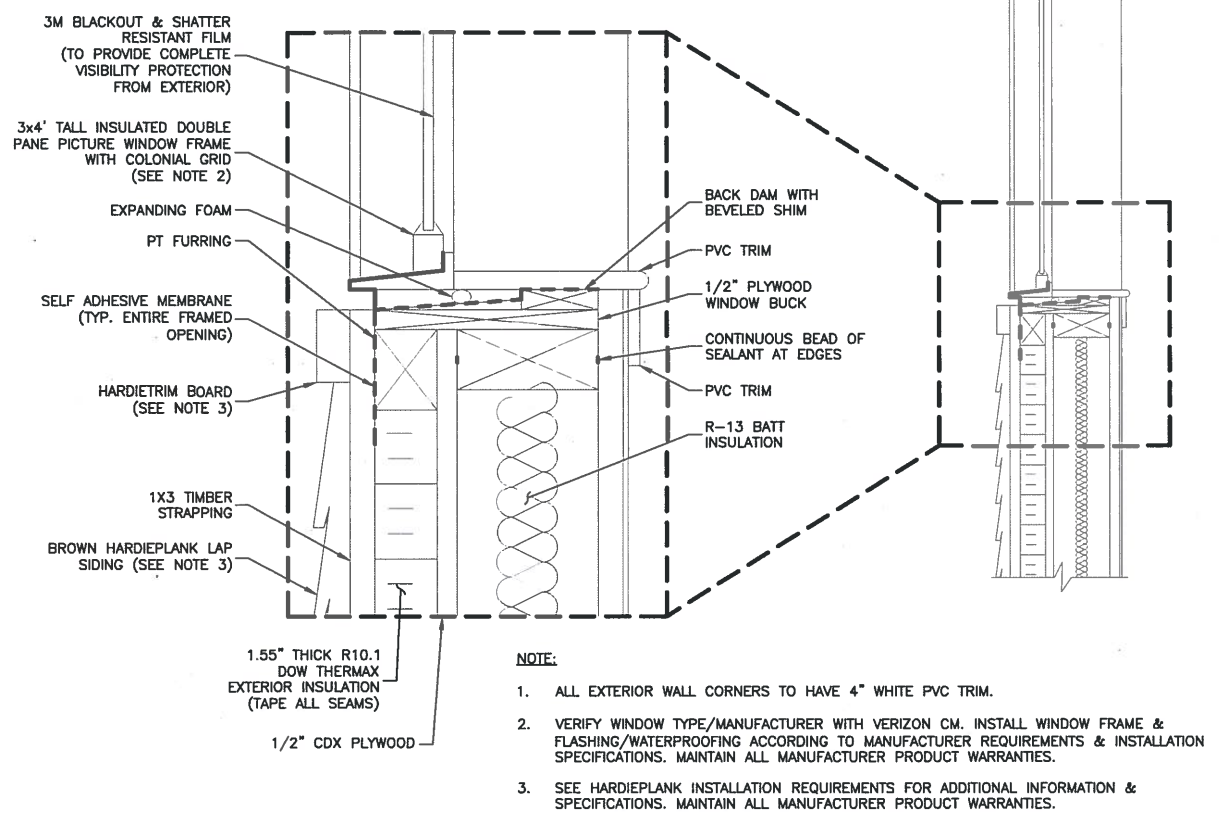


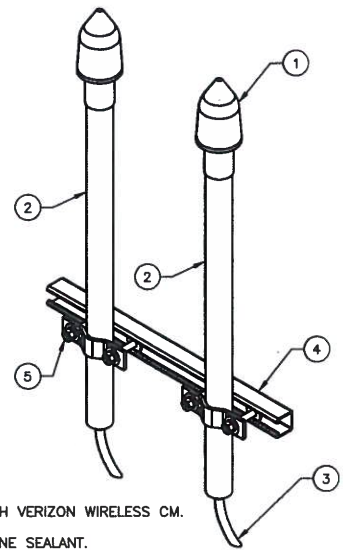
**NOTE:**  
WINDOW FLASHING TO BE INSTALLED PER MANUFACTURER SPECIFICATIONS & SHALL MAINTAIN ANY MANUFACTURER PRODUCT WARRANTIES.



- NOTE:**
- ALL EXTERIOR WALL CORNERS TO HAVE 4" WHITE PVC TRIM.
  - VERIFY WINDOW TYPE/MANUFACTURER WITH VERIZON CM. INSTALL WINDOW FRAME & FLASHING/WATERPROOFING ACCORDING TO MANUFACTURER REQUIREMENTS & INSTALLATION SPECIFICATIONS. MAINTAIN ALL MANUFACTURER PRODUCT WARRANTIES.
  - SEE HARDIEPLANK INSTALLATION REQUIREMENTS FOR ADDITIONAL INFORMATION & SPECIFICATIONS. MAINTAIN ALL MANUFACTURER PRODUCT WARRANTIES.

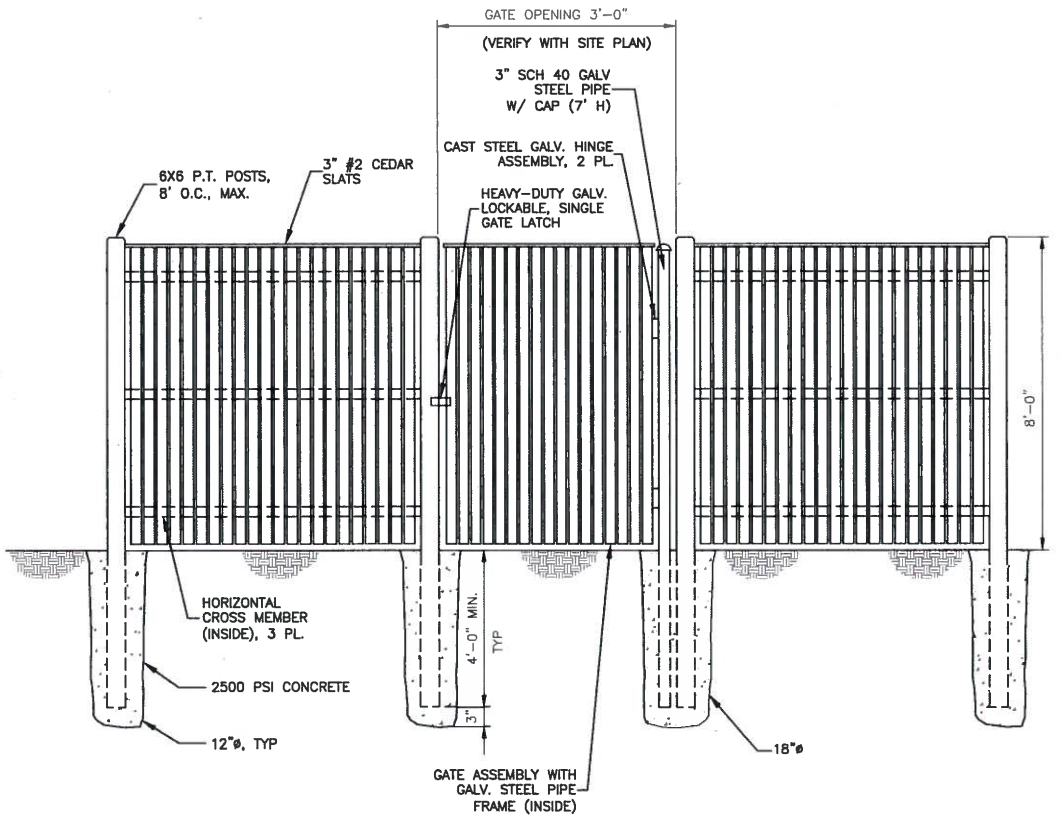
**WINDOW FRAMING DETAIL** ①  
SCALE: 3/8"=1' FOR 11"x17"  
3/4"=1' FOR 22"x34"  
0' 1' 2' 3'

- B.O.M.**
- GPS ANTENNA
  - GALVANIZED MOUNTING PIPE (TYP.)
  - COAXIAL CABLE
  - GALVANIZED STRUT MOUNT
  - 1/2" CLAMPS AND SST STRUT HARDWARE



- NOTES:**
- FINAL MOUNT LOCATION TO BE VERIFIED WITH VERIZON WIRELESS CM.
  - WEATHER SEAL AROUND MOUNT WITH SILICONE SEALANT.
  - INSTALL GPS, COAX & MOUNT PER MANUFACTURERS RECOMMENDATIONS.
  - TIE MOUNT & COAX GROUND KIT INTO GROUNDING SYSTEM.
  - WEATHER SEAL CONNECTORS PER VERIZON WIRELESS STANDARDS.

**SHELTER MOUNTED GPS DETAIL** ②  
SCALE: N.T.S.



**STOCKADE FENCE** ③  
SCALE: N.T.S.

**verizon** WIRELESS  
VERIZON WIRELESS  
118 FLANDERS ROAD  
WESTBOROUGH, MA 01581-3956

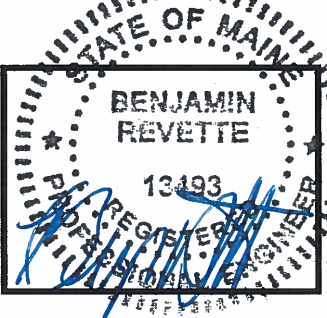
**PORTLAND ME HEAD END**

**CONSTRUCTION DRAWINGS**

0	11/27/17	FOR CONSTRUCTION
C	10/30/17	90% SUBMITTAL
B	10/04/17	80% SUBMITTAL
A	04/14/17	50% SUBMITTAL

**Dewberry**

Dewberry Engineers Inc.  
280 SUMMER STREET  
10TH FLOOR  
BOSTON, MA 02210  
PHONE: 617.695.3400  
FAX: 617.695.3310



DRAWN BY:	SK
REVIEWED BY:	MFT
CHECKED BY:	BBR
PROJECT NUMBER:	50002925
JOB NUMBER:	50080012
SITE ADDRESS:	

1531 CONGRESS ST.  
PORTLAND, ME 04102

SHEET TITLE

CONSTRUCTION DETAILS-I

SHEET NUMBER