

**PORTLAND ME
HEAD END**

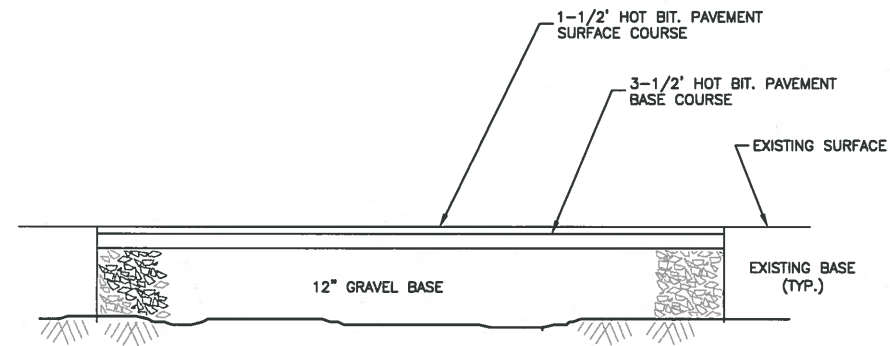
ZONING DRAWINGS

3	01/17/17	FOR SUBMITTAL
2	12/15/16	FOR SUBMITTAL
1	12/07/16	FOR SUBMITTAL
0	09/28/16	FOR SUBMITTAL
A	09/12/16	FOR COMMENT



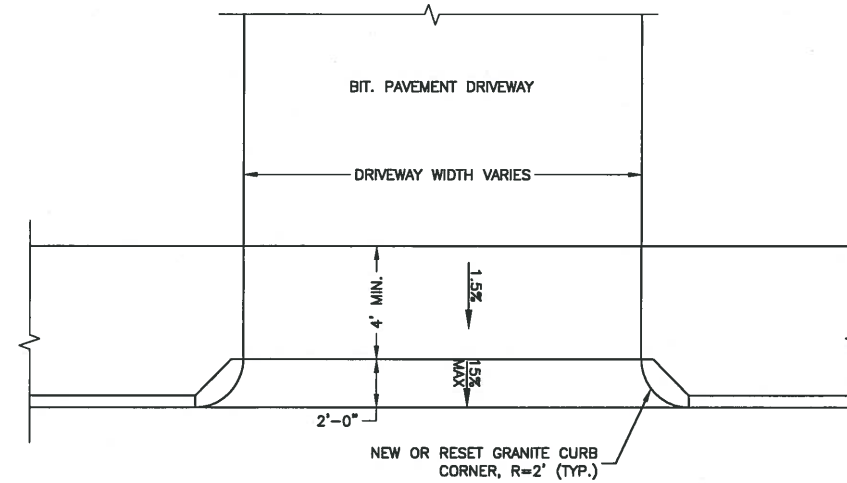
Dewberry Engineers Inc.
280 SUMMER STREET
10TH FLOOR
BOSTON, MA 02210
PHONE: 617.695.3400
FAX: 617.695.3310

JENSEN HUGHES

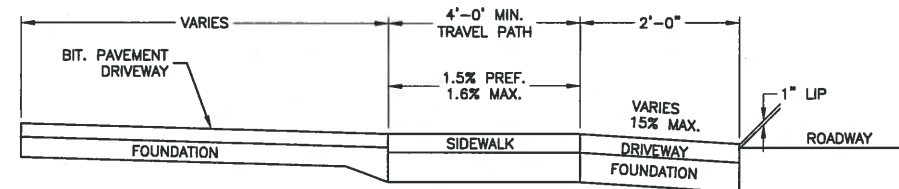


PAVEMENT DETAIL
SCALE: N.T.S.

1



PLAN



SECTION

SIDEWALK AT DRIVEWAY
SCALE: N.T.S.

2

DRAWN BY:	JG
REVIEWED BY:	MFT
CHECKED BY:	BBR
PROJECT NUMBER:	50002925
JOB NUMBER:	50080012
SITE ADDRESS:	

1531 CONGRESS ST.
PORTLAND, ME 04102

SHEET TITLE

CONSTRUCTION DETAILS

SHEET NUMBER