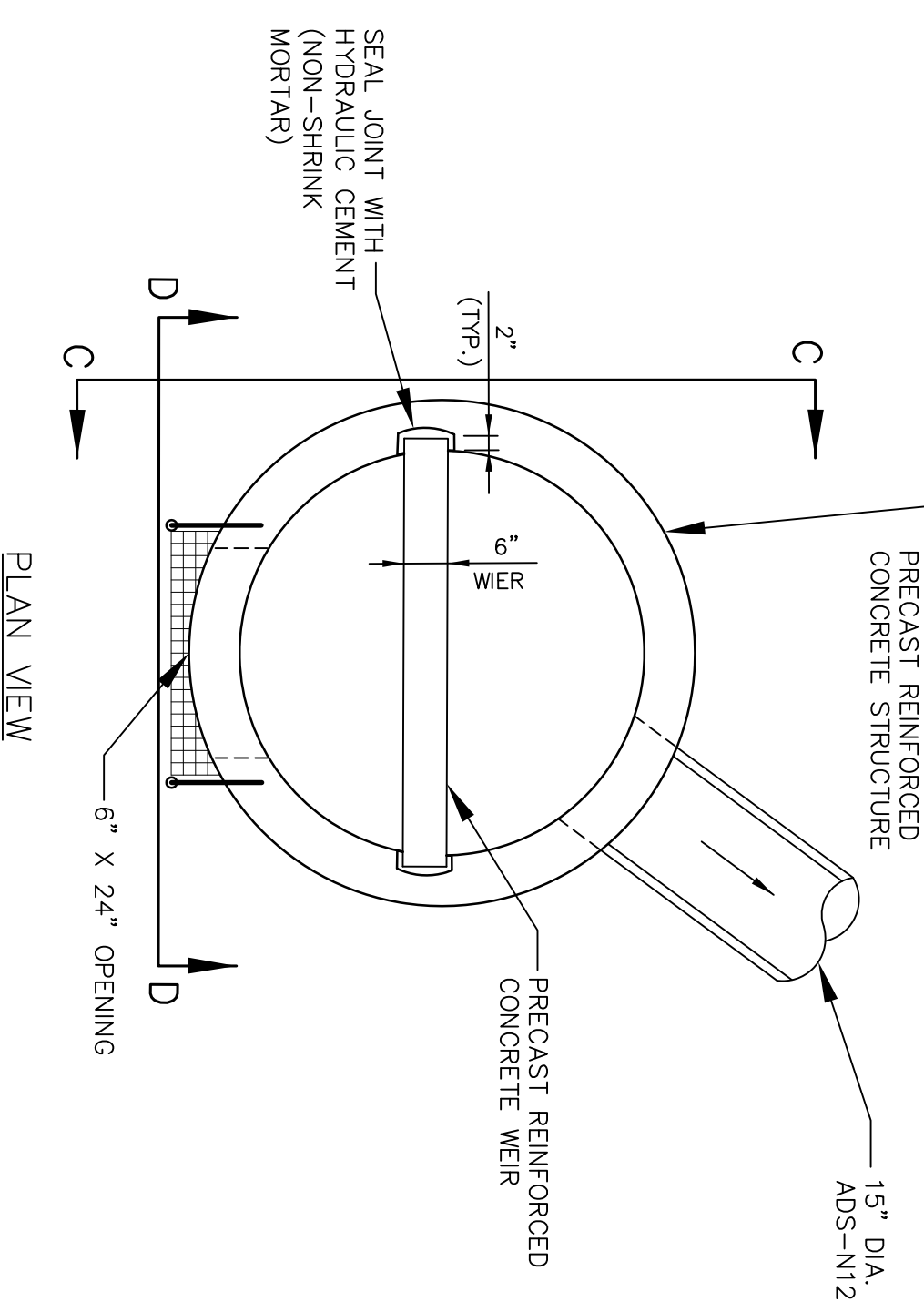
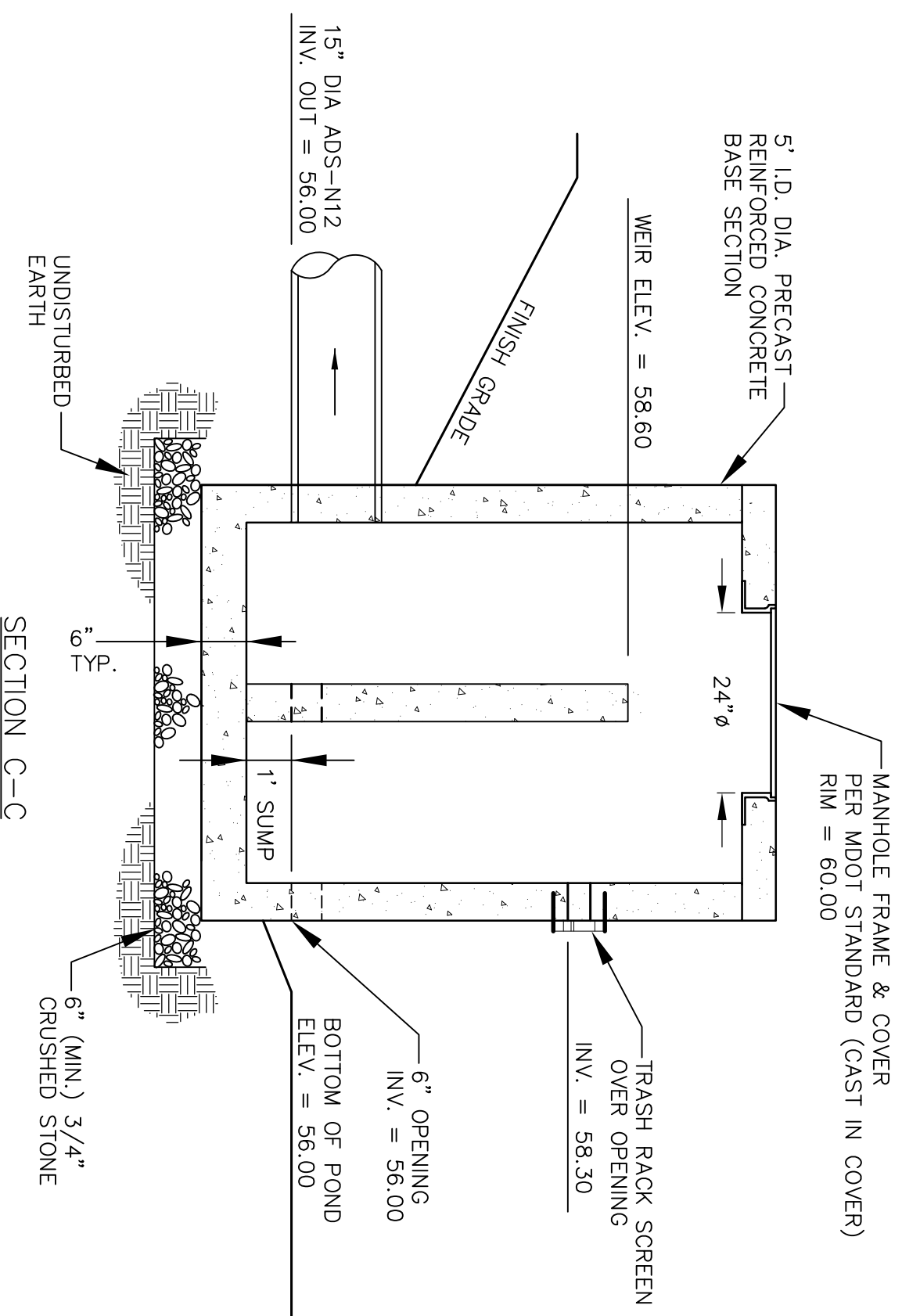


POINT	"A"	"B"	"C"
DET-1	60.15	59.20	8.00

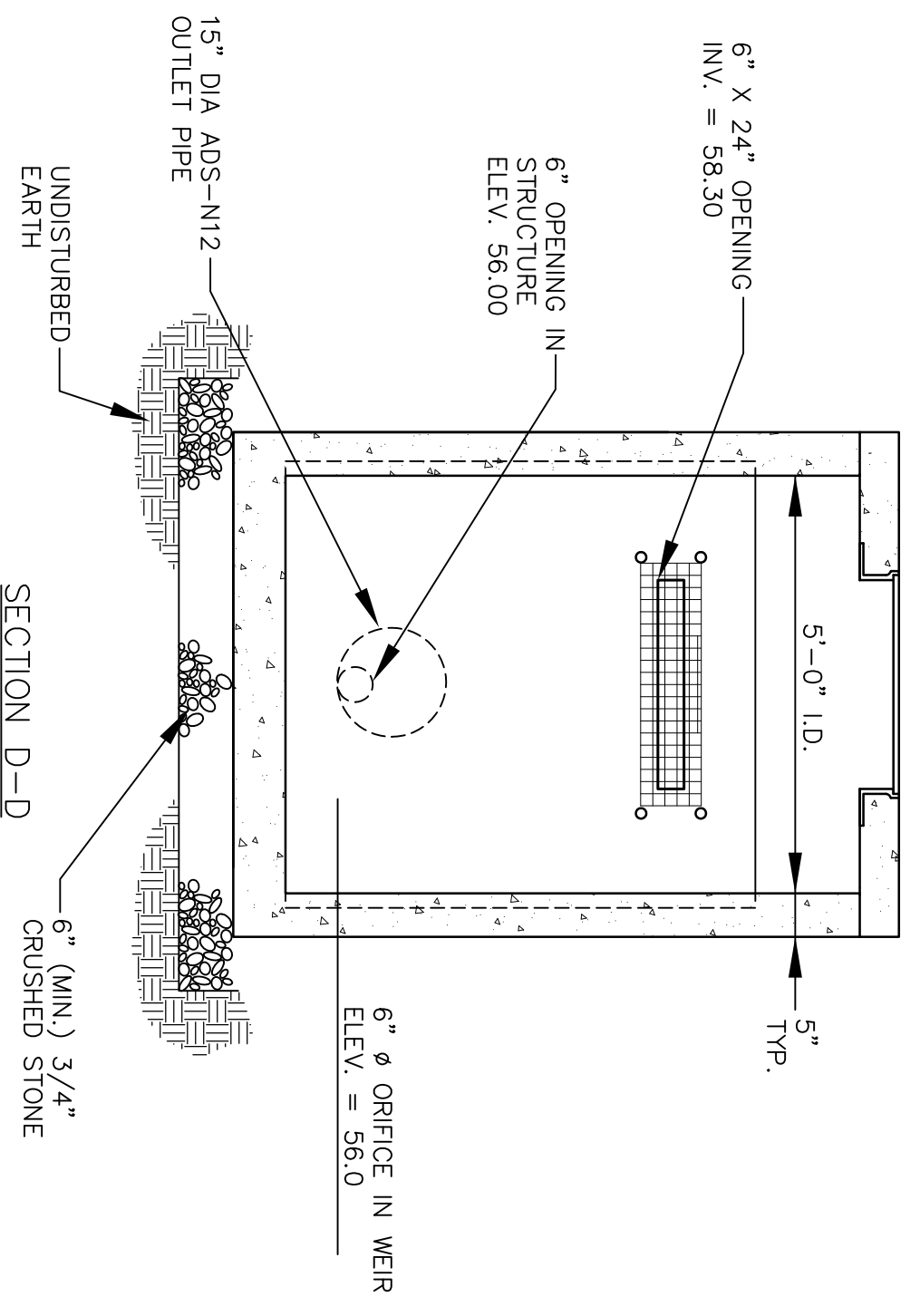
CROSS SECTION OF EMERGENCY SPILLWAY
NOT TO SCALE



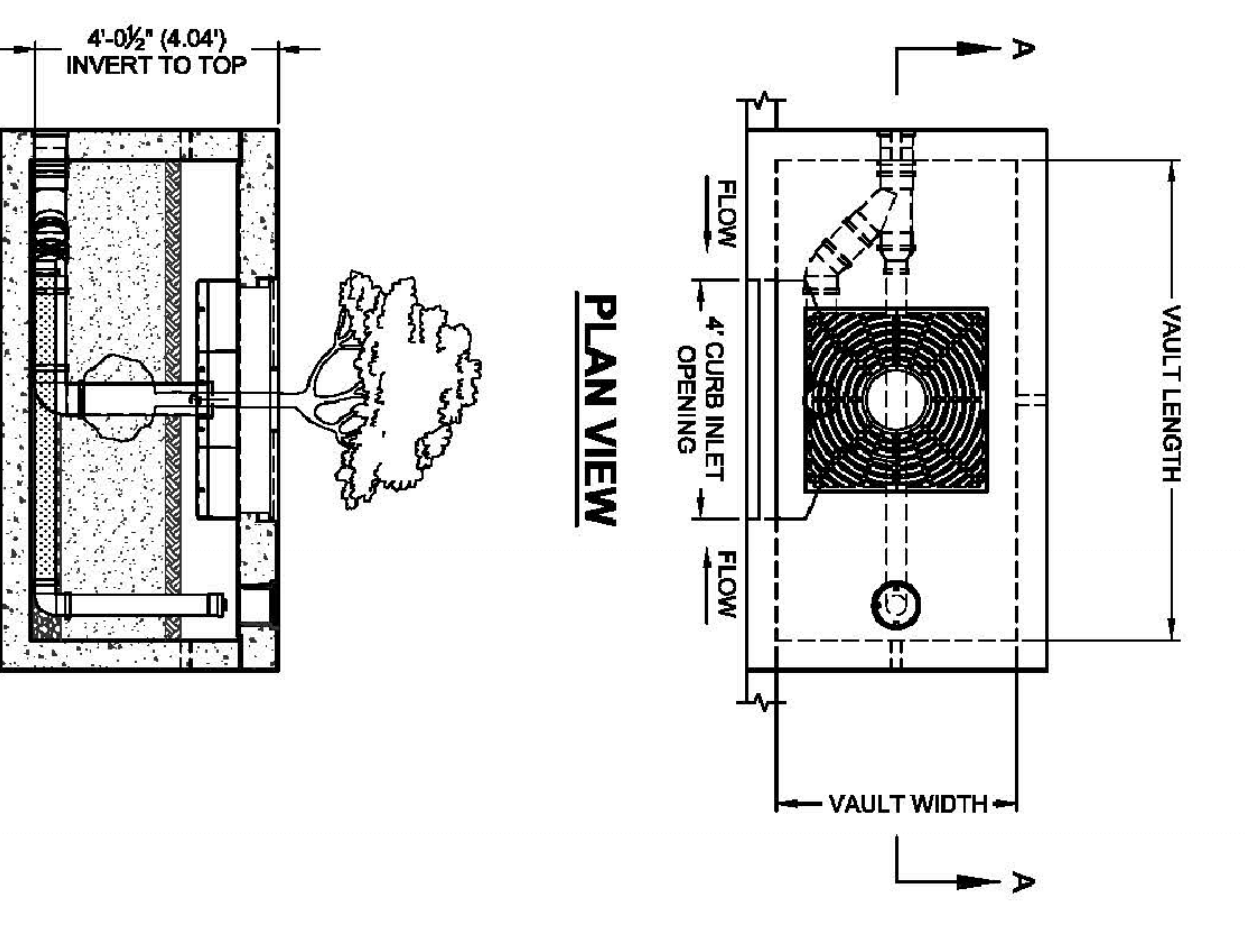
PLAN VIEW



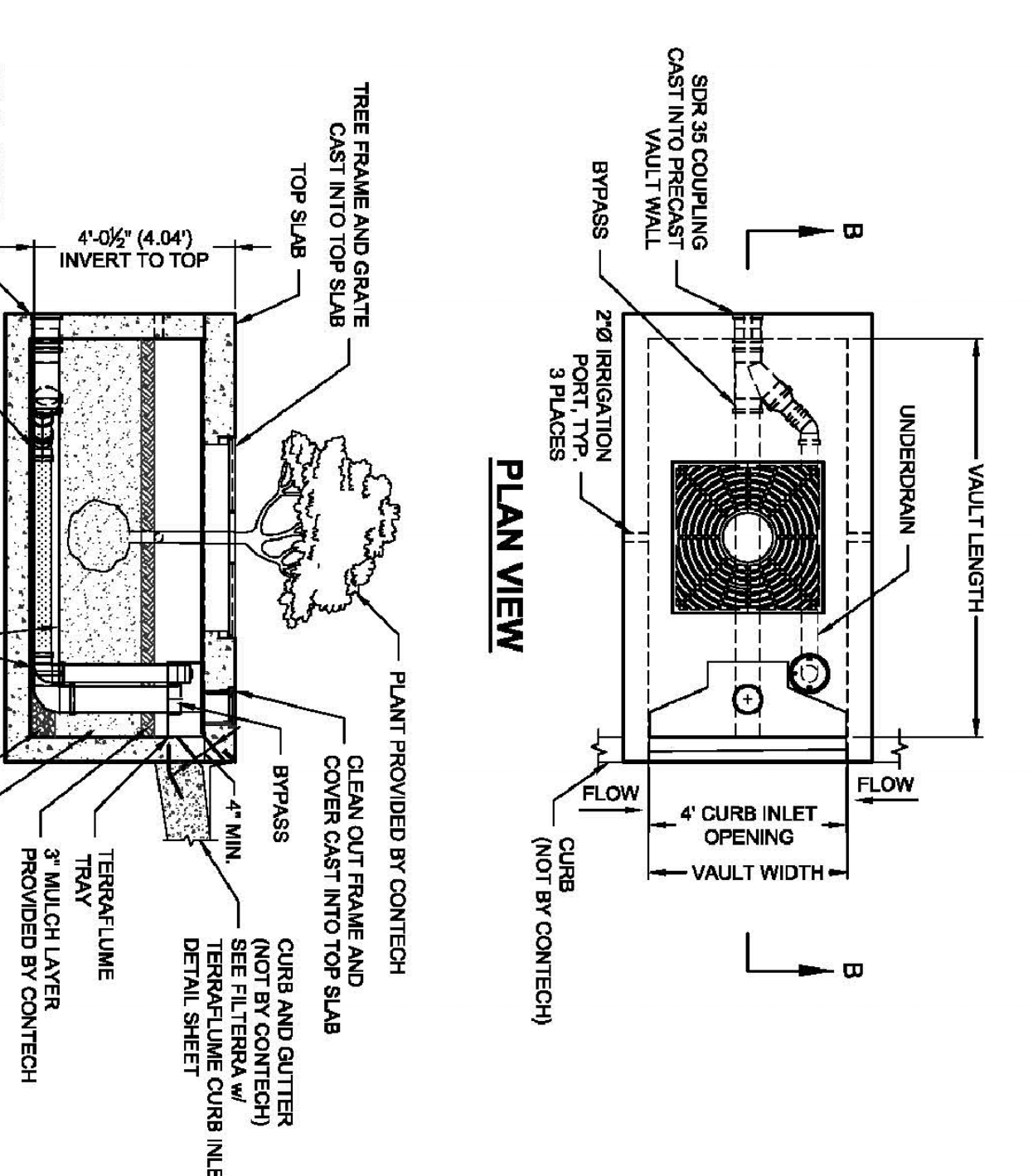
SECTION C-C



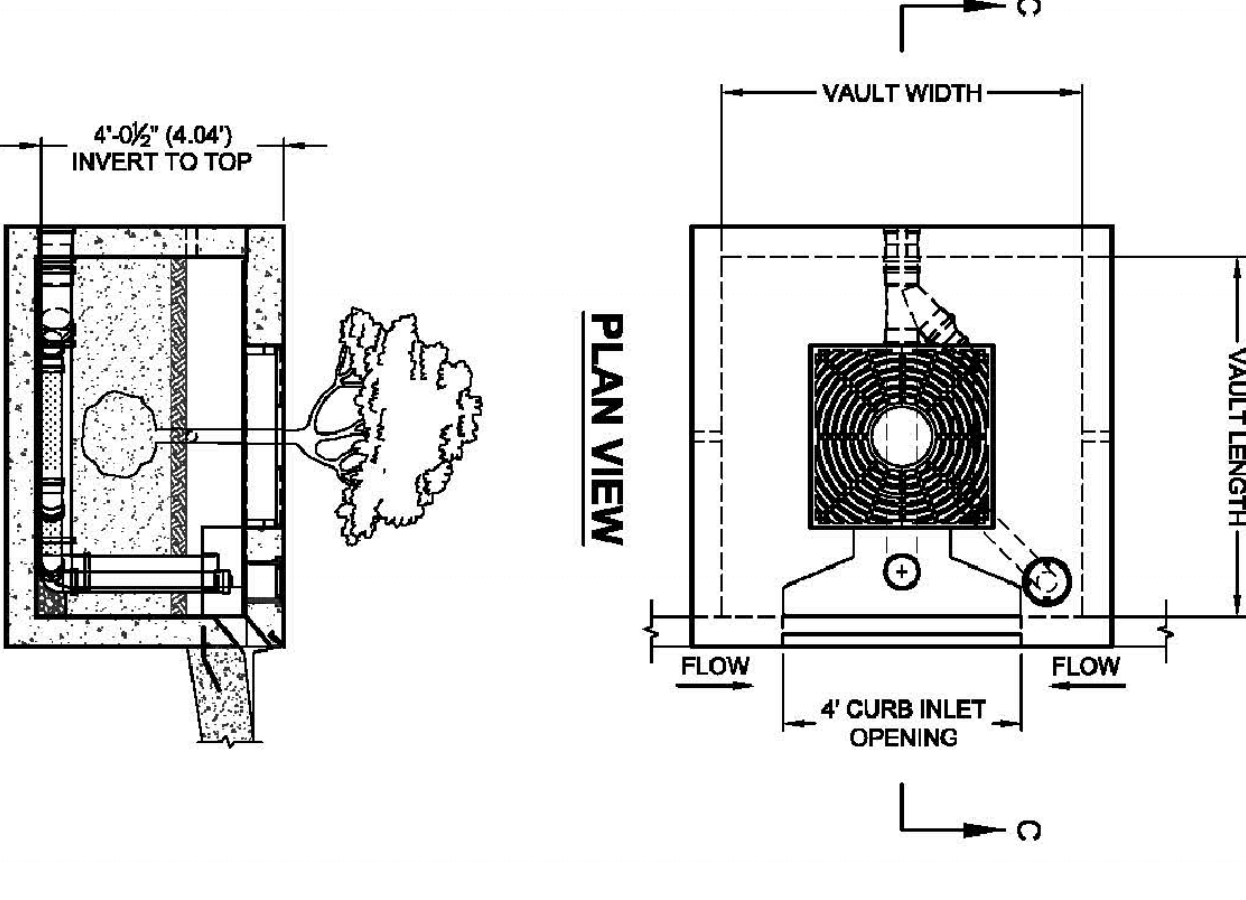
SECTION D-D



SECTION A-A



SECTION B-B



SECTION C-C

FTBFC LONG SIDE CURB INLET									
DESIGNATION	AVAIL-ABILITY	MEDIA BAY SIZE (L x W)	VAULT SIZE (W x L)	MAX. OUTLET/BYPASS PIPE DIA. (CFS)	MAX. BYPASS FLOW (PERF)	UNDER-DRAIN PIPE DIA. (PERF)	TREE GRATE QTY. & SIZE	N/A - NOT AVAILABLE	
FTBFC0904	N/A, CA	8 x 4	8 x 4	8" SDR 35	1.89	4" SDR 35	(1) 3' x 3'	N/A - NOT AVAILABLE	
FTBFC0904	CA ONLY	8.5 x 4	8.5 x 4	8" SDR 35	1.89	4" SDR 35	(1) 3' x 3'	N/A - NOT AVAILABLE	
FTBFC078045	MID-ATL ONLY	7.83 x 4.5	7.83 x 4.5	8" SDR 35	1.89	4" SDR 35	(1) 3' x 3'	N/A - NOT AVAILABLE	
FTBFC0984	N/A	8 x 4	8 x 4	8" SDR 35	1.89	4" SDR 35	(1) 3' x 3'	N/A - NOT AVAILABLE	
FTBFC0906	ALL	8 x 6	8 x 6	10" SDR 35	2.37	4" SDR 35	(1) 4' x 4'	N/A - NOT AVAILABLE	
FTBFC1006	ALL	10 x 6	10 x 6	10" SDR 35	2.37	6" SDR 35	(1) 4' x 4'	N/A - NOT AVAILABLE	
FTBFC1206	ALL	12 x 6	12 x 6	10" SDR 35	2.37	6" SDR 35	(2) 4' x 4'	N/A - NOT AVAILABLE	
FTBFC1307	ALL	13 x 7	13 x 7	10" SDR 35	2.37	6" SDR 35	(2) 4' x 4'	N/A - NOT AVAILABLE	

FTBFC SHORT SIDE CURB INLET									
DESIGNATION	AVAIL-ABILITY	MEDIA BAY SIZE (W x L)	VAULT SIZE (W x L)	MAX. OUTLET/BYPASS PIPE DIA. (CFS)	MAX. BYPASS FLOW (PERF)	UNDER-DRAIN PIPE DIA. (PERF)	TREE GRATE QTY. & SIZE	N/A - NOT AVAILABLE	
FTBFC0406	N/A, CA	4 x 6	4 x 6	8" SDR 35	1.89	4" SDR 35	(1) 3' x 3'	N/A - NOT AVAILABLE	
FTBFC0406	CA ONLY	4 x 6.5	4 x 6.5	8" SDR 35	1.89	4" SDR 35	(1) 3' x 3'	N/A - NOT AVAILABLE	
FTBFC0408	N/A	4 x 8	4 x 8	8" SDR 35	1.89	4" SDR 35	(1) 3' x 3'	N/A - NOT AVAILABLE	
FTBFC0408	MID-ATL ONLY	4.5 x 7.83	4.5 x 7.83	8" SDR 35	1.89	4" SDR 35	(1) 3' x 3'	N/A - NOT AVAILABLE	
FTBFC0608	ALL	6 x 8	6 x 8	10" SDR 35	2.37	4" SDR 35	(1) 4' x 4'	N/A - NOT AVAILABLE	
FTBFC0810	ALL	8 x 10	8 x 10	10" SDR 35	2.37	6" SDR 35	(1) 4' x 4'	N/A - NOT AVAILABLE	
FTBFC0812	ALL	8 x 12	8 x 12	10" SDR 35	2.37	6" SDR 35	(2) 4' x 4'	N/A - NOT AVAILABLE	
FTBFC0713	ALL	7 x 13	7 x 13	10" SDR 35	2.37	6" SDR 35	(2) 4' x 4'	N/A - NOT AVAILABLE	

FTBFC SQUARE CURB INLET									
DESIGNATION	AVAIL-ABILITY	MEDIA BAY SIZE (L x W)	VAULT SIZE (L x W)	MAX. OUTLET/BYPASS PIPE DIA. (CFS)	MAX. BYPASS FLOW (PERF)	UNDER-DRAIN PIPE DIA. (PERF)	TREE GRATE QTY. & SIZE	N/A - NOT AVAILABLE	
FTBFC0404	ALL	4 x 4	4' x 4'	4" SDR 35	1.42	4" SDR 35	(1) 3' x 3'	N/A - NOT AVAILABLE	
FTBFC0906	ALL	6 x 6	6' x 6'	8" SDR 35	1.89	4" SDR 35	(1) 3' x 3'	N/A - NOT AVAILABLE	

COMMON/CAD/TITLE/64 FILTERFAW STANDARD DRAWINGS/FTBFC - INTERNAL BYPASS CURB INLET LAYOUT DETAILS/DWG/FTBFC FILTERFAW INTERNAL BYPASS CURB INLET CONFIG DETAIL/DWG - 11/2017 6:16 AM

INTERNAL PIPE CONFIGURATION MAY VARY DEPENDING ON VAULT SIZE.

CONTECH
ENGINEERED SOLUTIONS LLC
www.contechsolutions.com
8020 Century Parkway Dr., Suite 400, Waver Chester, OH 44089
800.338.1122 313.626.7000 313.626.7093 FAX

FILTERFAW INTERNAL BYPASS CURB (FTBFC) CONFIGURATION DETAIL

THIS PLAN IS FOR REVIEW PURPOSES ONLY AND IS NOT INTENDED FOR CONSTRUCTION OR RECORDING

Number	By	Date	Change
2	SJA	5/11/18	SUBMITTED FOR PRELIMINARY SITE PLAN/SUBDIVISION REVIEW
1	SJA	5/4/18	SUBMITTED FOR WEP TIER 1 REVIEW

Project Name and Location:
PROPOSED CAPSIC MEADOWS SUBDIVISION
130 BANCROFT STREET, PORTLAND, MAINE 04102

Prepared For:
WB GROUP, INC
130 BANCROFT STREET, PORTLAND, MAINE 04102

CONSTRUCTION DETAILS - SHEET 1

Scale: AS NOTED
Date: MAY 1, 2018

NCS
Northeast Civil Solutions
SURVEYING • ENGINEERING • LAND PLANNING
381 PANE ROAD, SCARBOROUGH, MAINE 04074
207.853.1000
www.northeastcivilsolutions.com