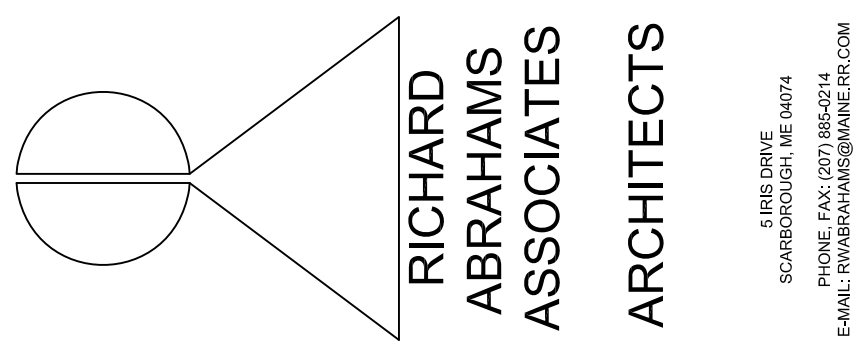


ABBREVIATIONS, LINE TYPES & SYMBOLS

AT	LAVATORY	LV	SANITARY/WASTE PIPING UNDER SLAB
A	LINEAR FEET	LF	SANITARY / WASTE PIPING ABOVE SLAB
ADA	MOP BASIN	MB	INDIRECT WASTE PIPING ABOVE SLAB
AFF	MOUNTED	MTD	VENT PIPING ABOVE FLOOR
ALT	MIXING VALVE	MV	VENT PIPING BELOW SLAB
BFF	NICKEL BRONZE	NB	STORMY WATER PIPING UNDER SLAB
BFP	OUTSIDE DIAMETER	OD	STORMY WATER PIPING ABOVE SLAB
BLY	OFFSET FOR CLARITY	OFC	COLD WATER PIPING
BMY	PLUMBING CONTRACTOR	PC	COLD WATER PIPING BELOW SLAB
CFF	PLUMBING & DRAINAGE INSTITUTE	PDI	TRAP PRIMER WATER PIPING
CHV	CAP FOR FUTURE	CHV	HOT WATER PIPING
CI	CHECK VALVE	CGV	HOT WATER PIPING BELOW SLAB
CNTR	CAST-IRON	CI	HOT WATER RETURN PIPING
CO	COUNTER	CS	SITE WATER MAIN
CONT	FOUND PER SQUARE INCH	FSQ	RADON VENT PIPING BELOW SLAB
CU	CLEANOUT	CO	BALL VALVE
CM	RADON	RA	VERTICAL BALL VALVE
CMH	RISE AT WALL	RAM	BALANCING VALVE
DAM	RIGHT HAND	RH	GLOBE VALVE
DGP	RISE IN WALL	RIM	CHECK VALVE
DEG	REVOLUTIONS PER MINUTE	RPM	CHECK VALVE
DIV	RUN UNDER COUNTER	RUC	BACKFLOW PREVENTER
DIM	RELIEF VALVE	RV	RELIEF VALVE
DN	SANITARY WASTE	S	PRESSURE REDUCING VALVE
DNAM	SHOCK ABSORBER	SA	THERMOMETER
DNIC	SHOWER	SH	PRESSURE GAUGE
DNIN	SINK	SK	TRAP PRIMER
DO	SUMP PUMP	SP	DROPPRISE IN LINE
DW	SPRINKLER	SPK	LINE UP TO FLOOR ABOVE
EA	SPRINKLER CONTRACTOR	SPKC	TEE -DROPP
EQ	STAINLESS STEEL	SS	SHOCK ABSORBER
EQ	STACK (SANITARY)	ST	UNION
ET	STACK VENT	SV	MIXING VALVE
FCO	TRAP PRIMER	TP	FLOOR CLEANOUT
FD	TUB/SHOWER	TS	FLOOR DRAIN
FFE	TYPICAL	TYP	ROOF DRAIN
FE	UP IN CHASE	U	WALL CLEANOUT
FE	UP IN WALL	UIC	VENT THROUGH ROOF
FE	OPPOSITE OF DOWN	UIM	HOSE BIB
G	VENT	UP	PLUMBING FIXTURE/EQUIPMENT NUMBER TAG
GAL	VACUUM BREAKER	V	
GC	VITREOUS CHINA	VB	
GHT	VERIFY IN FIELD	VC	
GFF	VACUUM RELIEF VALVE	VIF	
GRM	VENT STACK	VRV	
GV	VENT THRU ROOF	VS	
HB	WASTE	VTR	
HC	WITH	W	
HM	MATER CLOSET	W	
HPR	WALL CLEANOUT	WC	
IE	MATER HEATER	WCO	
IDW	MASHING MACHINE	WH	
	WARM SIDE OF INSULATION	WM	
		WSI	
		WST	
		XX-C	



THIS DRAWING, DESIGN AND ELECTRONIC FILE ARE THE PROPERTY OF MECHANICAL SYSTEMS ENGINEERS ARCHITECTS. THE REPRODUCTION OR TRANSMISSION OF THIS DOCUMENT WITHOUT WRITTEN CONSENT OF MECHANICAL SYSTEMS ENGINEERS ARCHITECTS IS STRICTLY FORBIDDEN BY FEDERAL COPYRIGHT LAW.

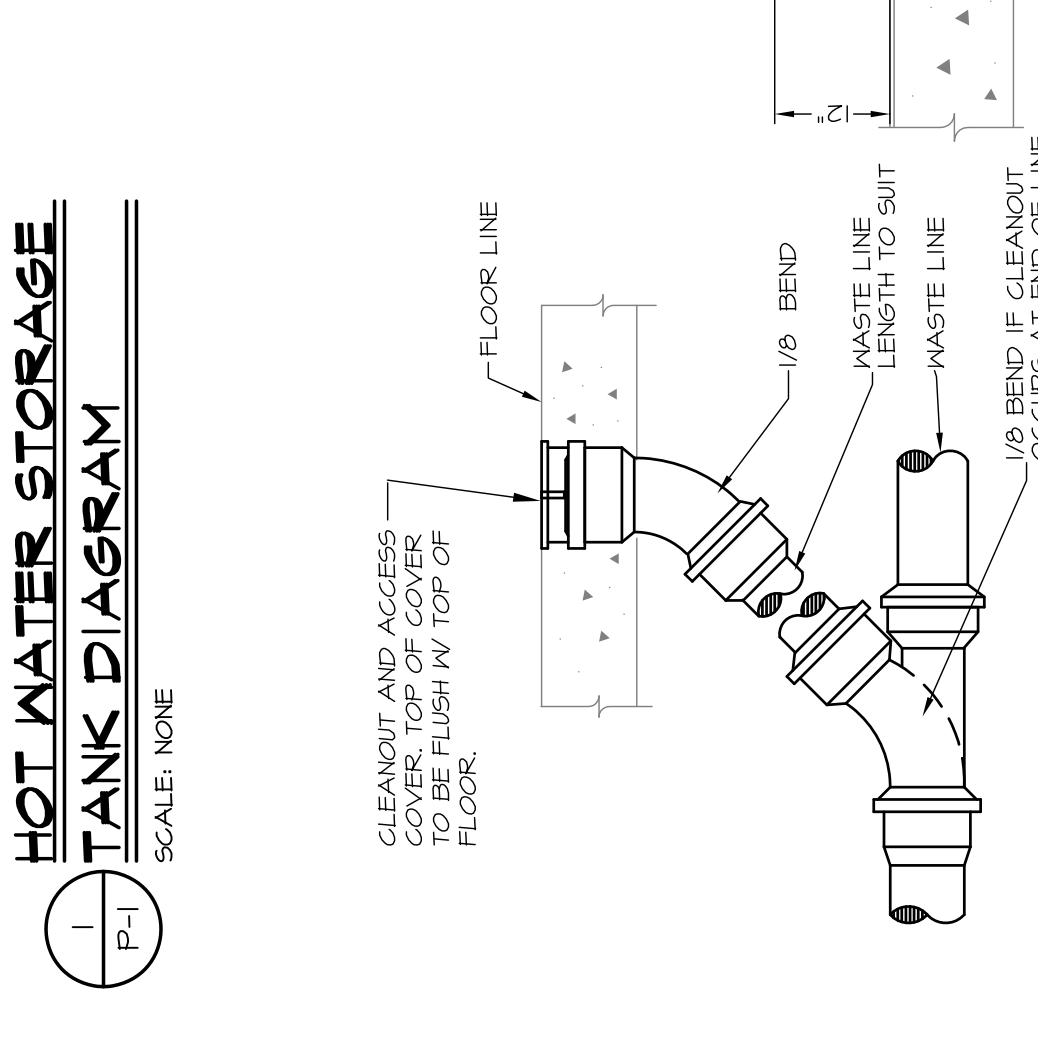
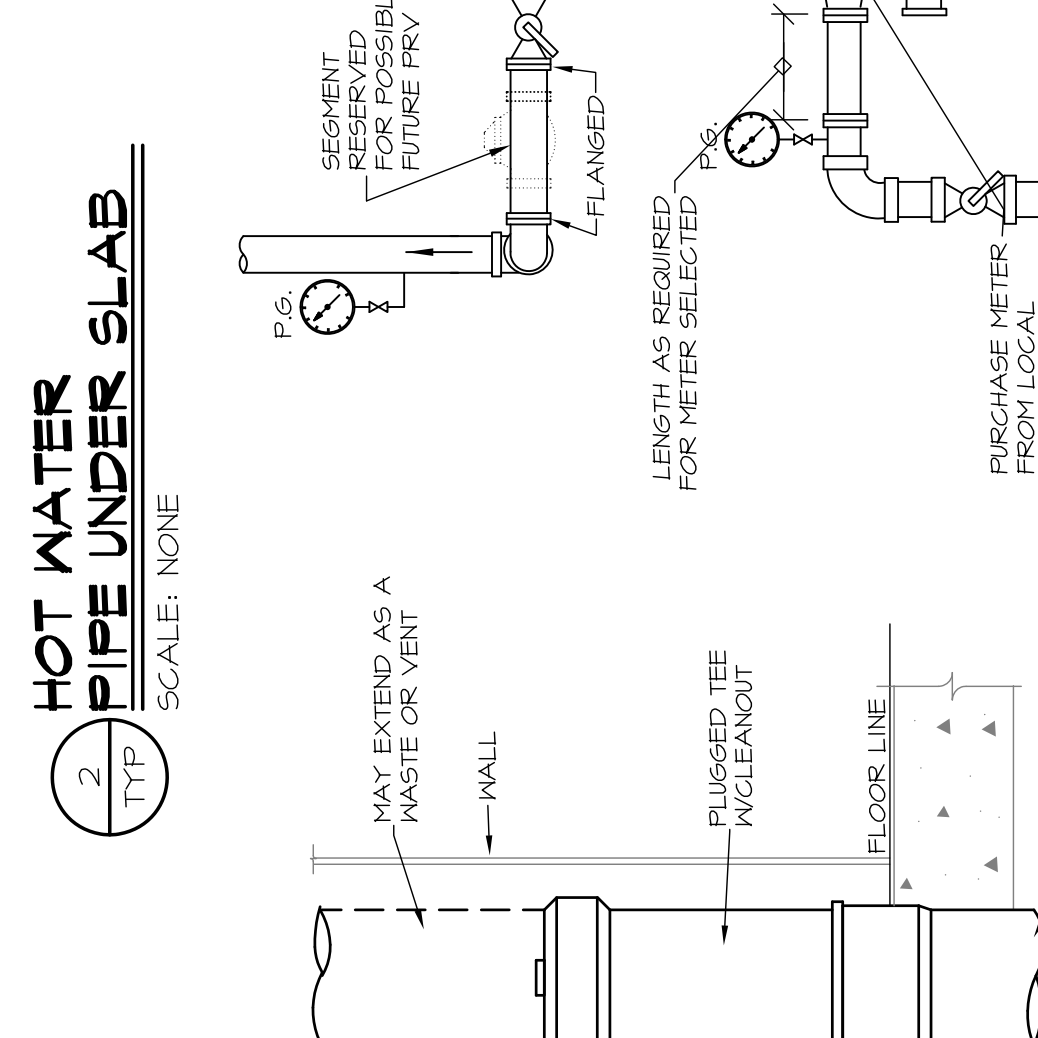
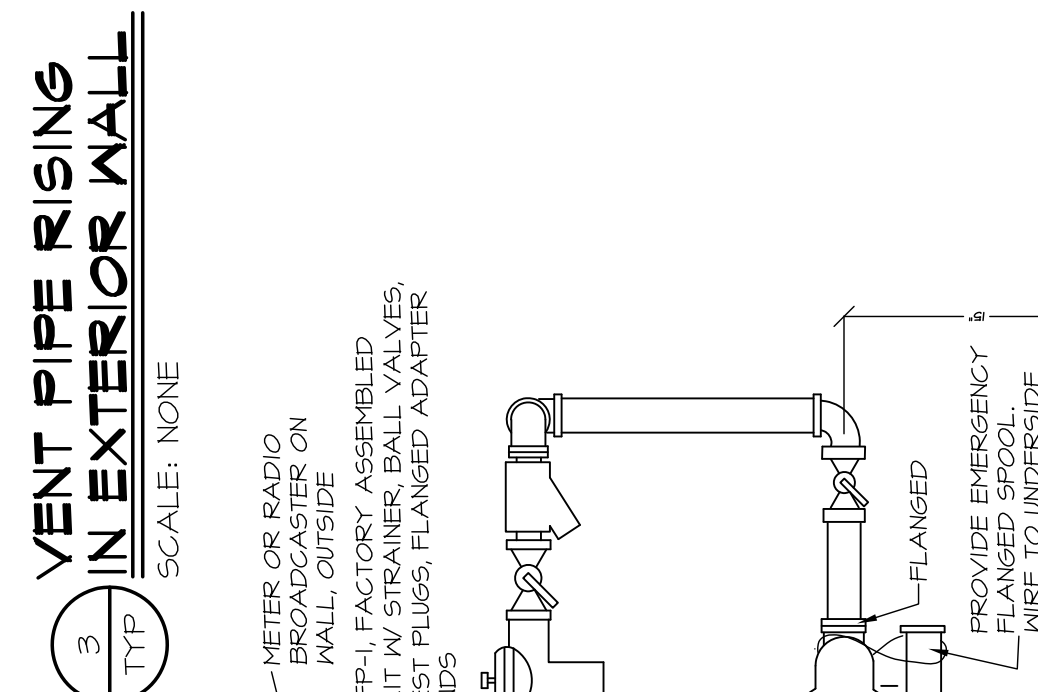
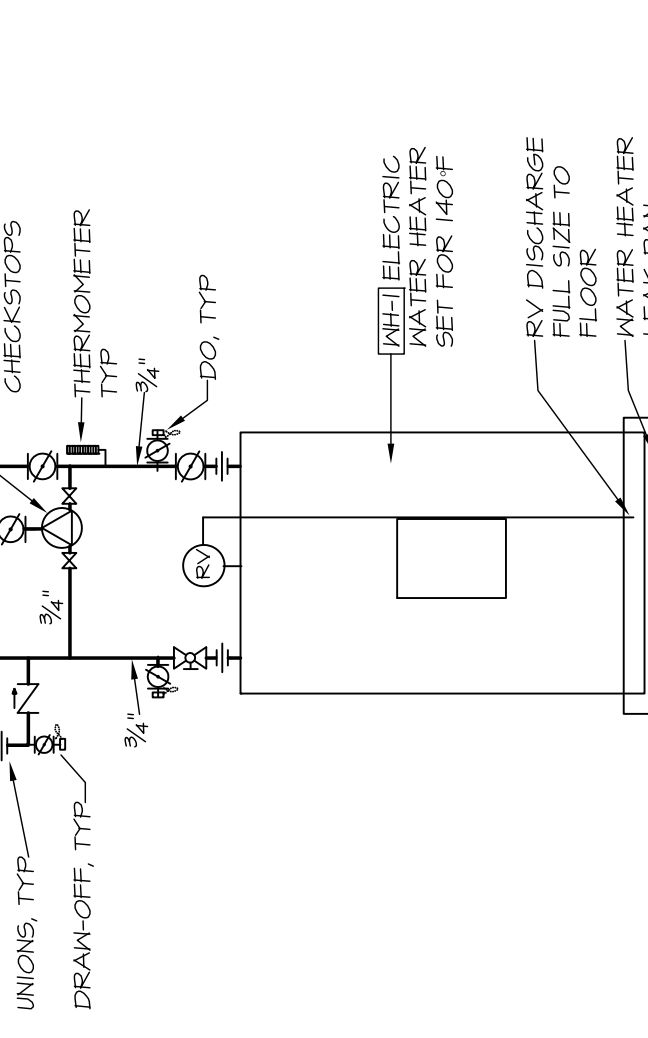
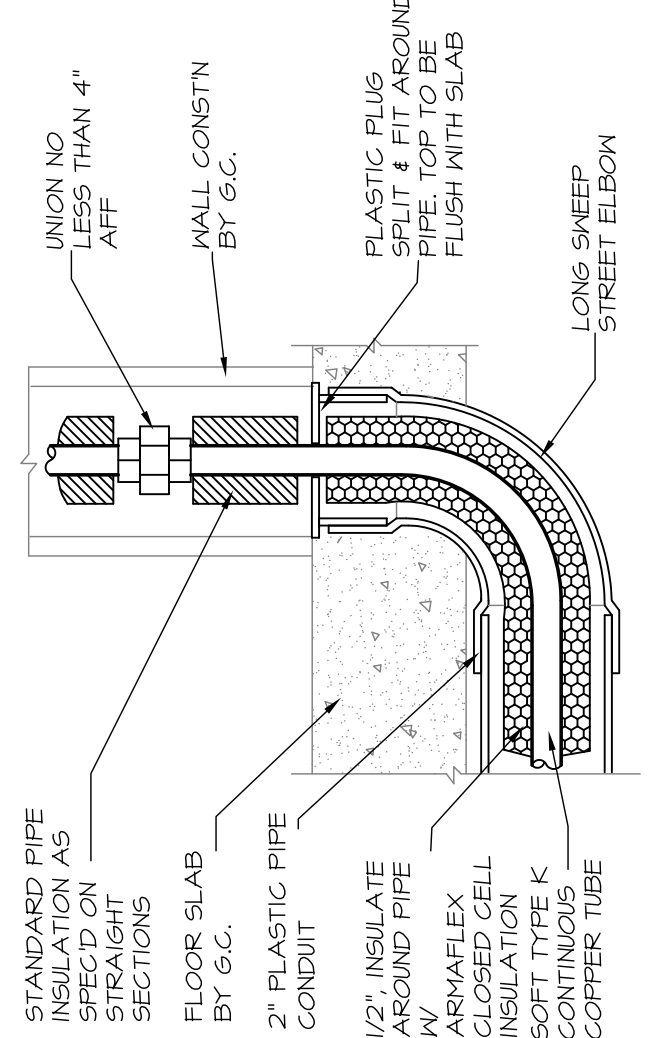
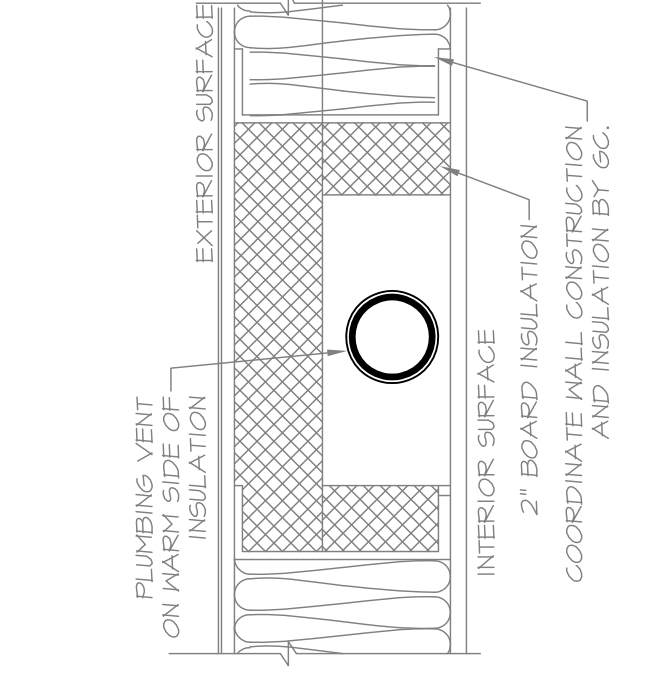
NO.	REVISION	DATE

PROPOSED NEW SYNAGOGUE AND RESIDENCE
POREVOY STREET
PORTLAND, MAINE

OWNER
CHABAD LUBAVITCH OF MAINE, INC.
101 CRANIE STREET
PORTLAND, ME 04102

DATE	06.28.2007
SCALE	NONE
DRAWN BY	E.J.P.
JOB NO.	0702
DESIGN STAGE	REVIEW DOCUMENTS
SHEET TITLE	PLUMBING DETAILS

P-5



FOR REVIEW BY AUTHORITIES HAVING JURISDICTION

MECHANICAL SYSTEMS ENGINEERS
ROYAL RIVER CENTER, UNIT #10
10 FOREST FALLS DRIVE
PORTLAND, ME 04102
VOICE: (207) 846-1441
FAX: (207) 846-1443
mechse.com
© copyright 2007