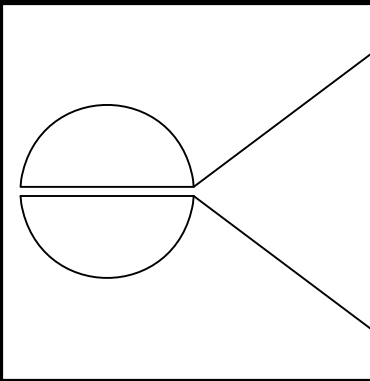
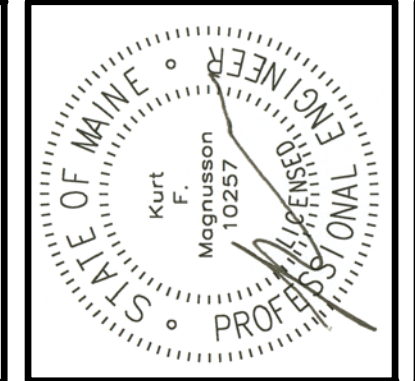


ABBREVIATIONS, LINE TYPES & SYMBOLS

| | | | |
|---------------------------------|-------------------------------|--------|---------------------------------------|
| AT | LAVATORY | LV | SANITARY/WASTE PIPING UNDER SLAB |
| AMPS | LINEAR FEET | LF | SANITARY / WASTE PIPING ABOVE SLAB |
| AMERICANS WITH DISABILITIES ACT | MOP BASIN | MB | INDIRECT WASTE PIPING ABOVE SLAB |
| ADA | MOUNTED | MTD | VENT PIPING ABOVE FLOOR |
| AFF | MIXING VALVE | MV | VENT PIPING BELOW SLAB |
| ALT | NICKEL BRONZE | NB | STORM WATER PIPING UNDER SLAB |
| BFF | OUTSIDE DIAMETER | OD | STORM WATER PIPING ABOVE SLAB |
| BFP | OFFSET FOR CLARITY | OFC | COLD WATER PIPING |
| BLV | PLUMBING CONTRACTOR | PC | COLD WATER PIPING BELOW SLAB |
| BNV | PLUMBING & DRAINAGE INSTITUTE | PDI | TRAP PRIMER WATER PIPING |
| CFF | CAP FOR FUTURE | CFF | HOT WATER PIPING |
| CHV | CHECK VALVE | CHV | HOT WATER PIPING BELOW SLAB |
| CI | PHASE | PH | HOT WATER RETURN PIPING |
| CNTR | CAST-IRON | PH | SITE WATER MAIN |
| CO | COUNTER | PSI | RADON VENT PIPING BELOW SLAB |
| CONT | FOUND'S PER SQUARE INCH | PSI | BALL VALVE |
| CU | RADON | RAD | VERTICAL BALL VALVE |
| CU | RISE AT WALL | RAM | BALANCING VALVE |
| CU | RIGHT HAND | RH | GLOBE VALVE |
| CU | RISE IN WALL | RIM | CHECK VALVE |
| CU | REVOLUTIONS PER MINUTE | RPM | CHECK VALVE |
| DAM | RUN UNDER COUNTER | RUC | BACKFLOW PREVENTER |
| DGP | RELIEF VALVE | RV | RELIEF VALVE |
| DEG | SANITARY WASTE | S | PRESSURE REDUCING VALVE |
| DIV | SHOCK ABSORBER | SA | THERMOMETER |
| DIW | SHOWER | SH | PRESSURE GAUGE |
| DN | SINK | SK | TRAP PRIMER |
| DNW | SUMP PUMP | SP | DROPR/RISE IN LINE |
| DNIC | SPRINKLER | SPK | LINE UP TO FLOOR ABOVE |
| DNIN | SPRINKLER CONTRACTOR | SPKC | TEE -DROP |
| DO | STAINLESS STEEL | SS | SHOCK ABSORBER |
| DW | STACK (SANITARY) | ST | UNION |
| EA | STACK VENT | SV | MIXING VALVE |
| EQ | TRAP PRIMER | TP | FLOOR CLEANOUT |
| ET | TUB/SHOWER | T5 | FLOOR DRAIN |
| FCO | TYPICAL | TYP | ROOF DRAIN |
| FD | UP IN CHASE | U4DNIC | WALL CLEANOUT |
| FFE | UP IN WALL | UIC | VENT THROUGH ROOF |
| FT | OPPOSITE OF DOWN | UIM | HOSE BIB |
| G | VENT | UP | PLUMBING FIXTURE/EQUIPMENT NUMBER TAG |
| GAL | VACUUM BREAKER | V | |
| GC | VITREOUS CHINA | VB | |
| GHT | VERIFY IN FIELD | VC | |
| GPF | VACUUM RELIEF VALVE | VIF | |
| GPM | VENT STACK | VRV | |
| GV | VENT THRU ROOF | VS | |
| HB | WASTE | VTR | |
| HC | WITH | W | |
| HC | MATER CLOSET (BECO) | W | |
| HM | MATER HEATER | WC | |
| HPK | MATER HEATER | WCO | |
| IE | MATER HEATER | WH | |
| IDW | MATER HEATER | WM | |
| | MATER HEATER | WSI | |
| | MATER HEATER | XX-I | |



RICHARD ABRAHAMS ARCHITECTS
 5 BIRD DRIVE
 SCARBOROUGH, ME 04854
 PHONE: FAX: (207) 886-0414
 EMAIL: rha@richardabrahams.com



STATE OF MAINE
 PROFESSIONAL ENGINEER
 Kurt Magnusson
 License No. 10257

THIS DRAWING, DESIGN AND ELECTRONIC FILE ARE THE PROPERTY OF RICHARD ABRAHAMS ARCHITECTS. THE REPRODUCTION OR TRANSMISSION OF THIS DOCUMENT WITHOUT WRITTEN CONSENT OF RICHARD ABRAHAMS ARCHITECTS IS STRICTLY FORBIDDEN BY FEDERAL COPYRIGHT LAW.

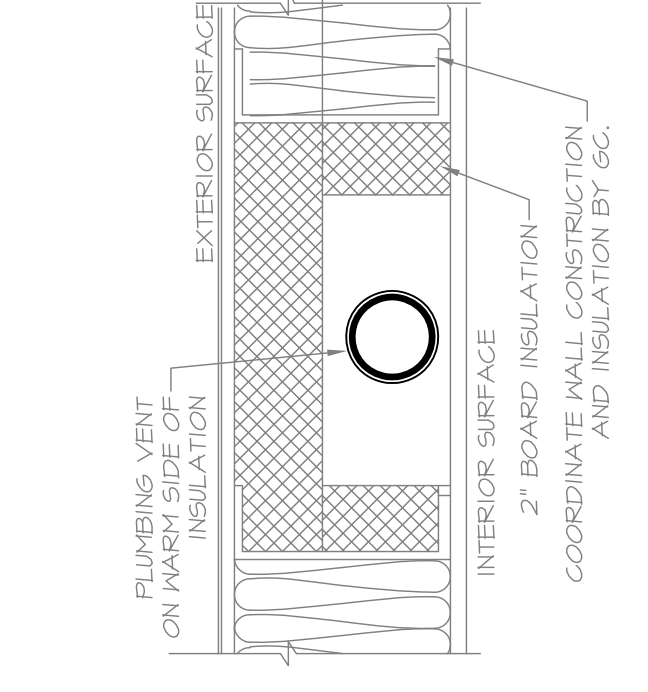
| NO. | DESCRIPTION | DATE |
|-----|-------------|------|
| | | |
| | | |
| | | |
| | | |
| | | |
| | | |
| | | |
| | | |
| | | |

PROPOSED NEW SYNAGOGUE AND RESIDENCE
 PORTLAND, MAINE
 POKEROY STREET

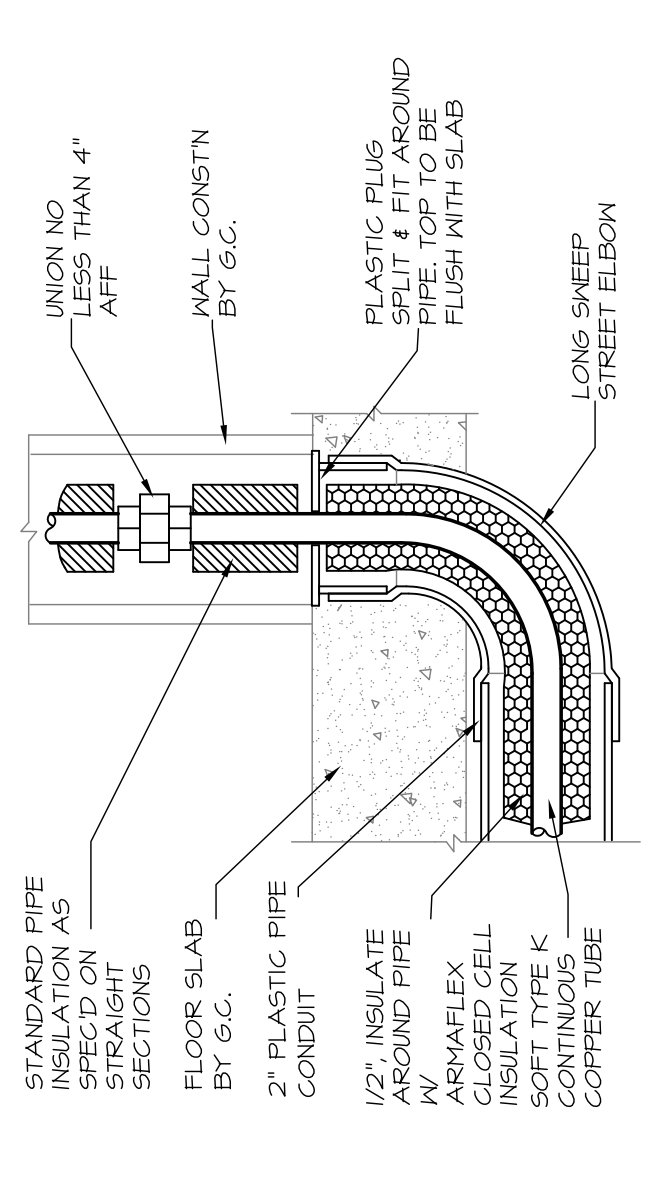
OWNER
 CHABAD LUBAVITCH OF MAINE, INC.
 101 CRANIE STREET
 PORTLAND, ME 04102

| | | | |
|----------|------------|--------------|------------------|
| DATE | 07.18.2007 | SCALE | NONE |
| DRAWN BY | E.J.P. | DESIGN STAGE | REVIEW DOCUMENTS |
| JOB NO. | 0702 | SHEET TITLE | PLUMBING DETAILS |

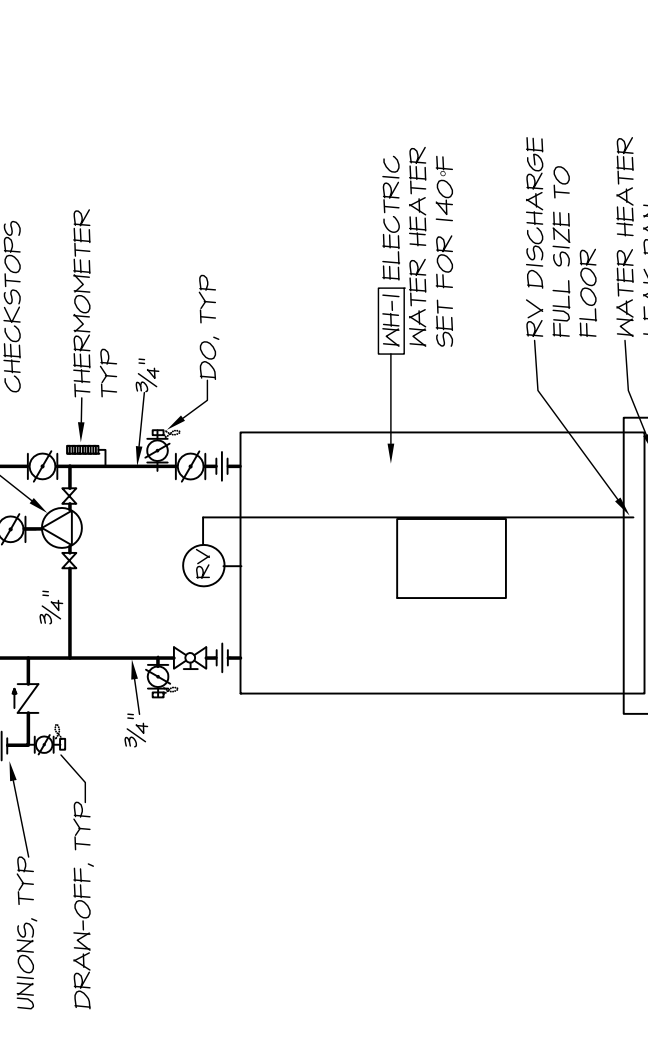
P-5



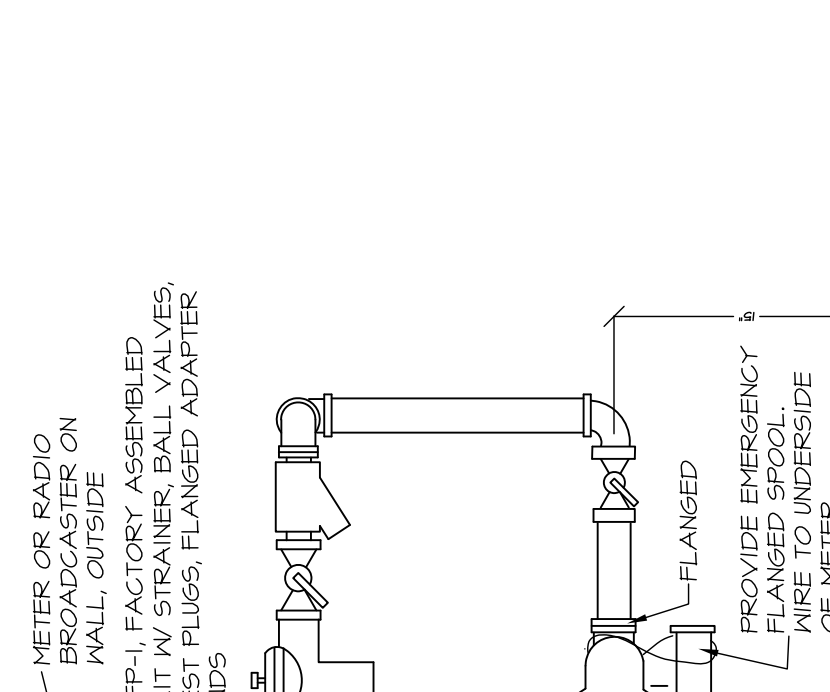
1. HOT WATER STORAGE TANK DIAGRAM
 SCALE: NONE



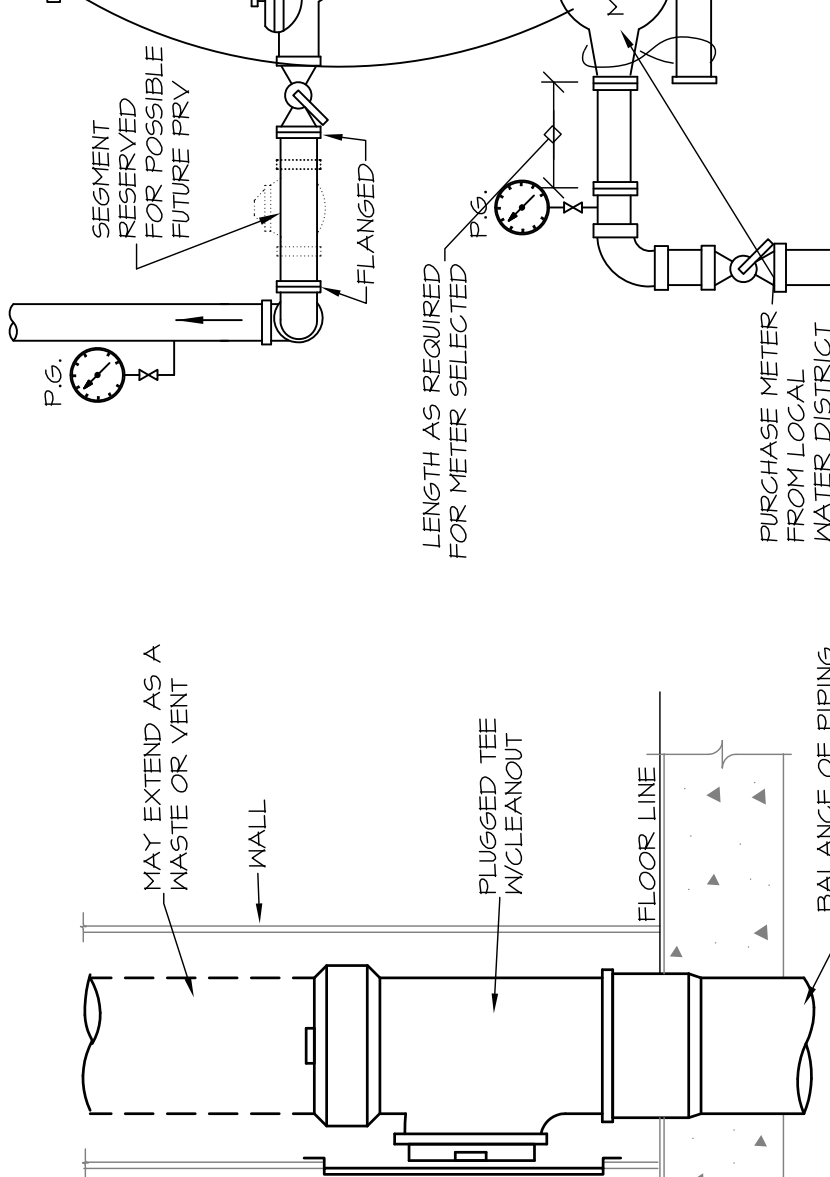
2. HOT WATER UNDER SLAB PIPE
 SCALE: NONE



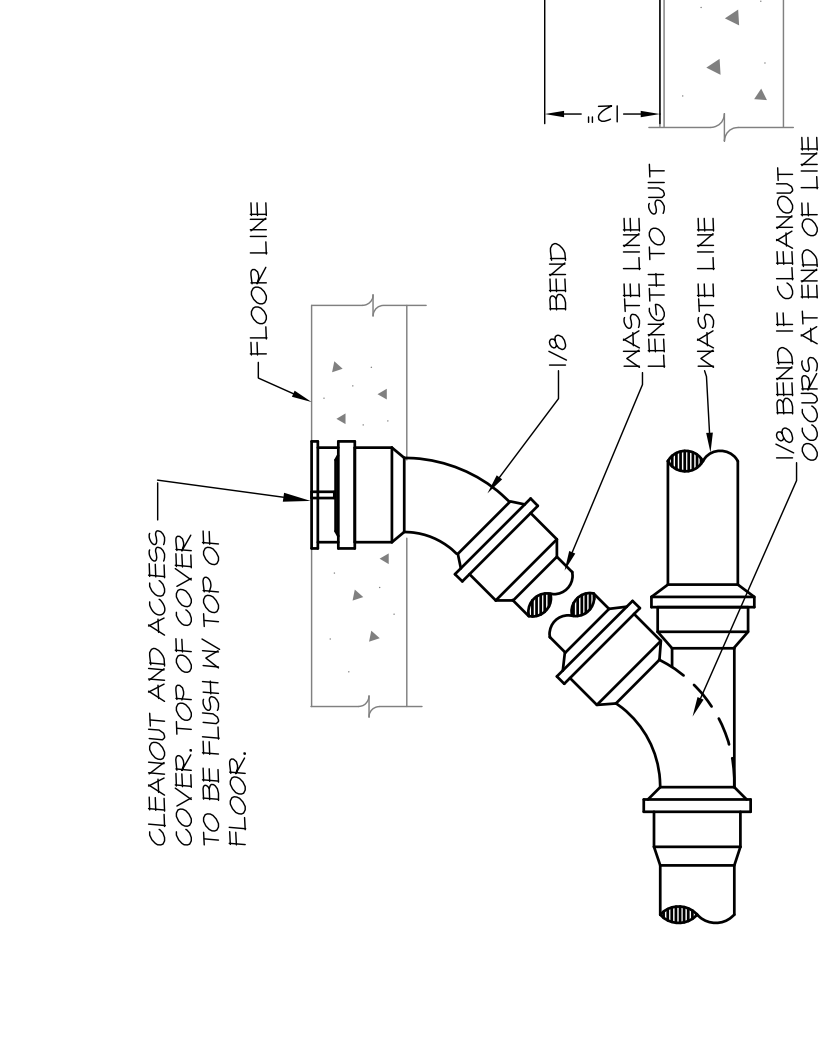
3. VENT PIPE RISING IN EXTERIOR WALL
 SCALE: NONE



6. DOMESTIC WATER ENTRANCE
 SCALE: NONE



5. WALL CLEAN OUT DETAIL
 SCALE: NONE



4. FLOOR CLEAN OUT DETAIL
 SCALE: NONE

**FOR REVIEW BY AUTHORITIES
 HAVING JURISDICTION**

MECHANICAL SYSTEMS ENGINEERS
 ROYAL RIVER CENTER, UNIT #10
 10 FOREST FALLS DRIVE
 PORTLAND, ME 04102
 VOICE: (207) 846-1441
 FAX: (207) 846-1443
 mecsys.com
 © copyright 2007