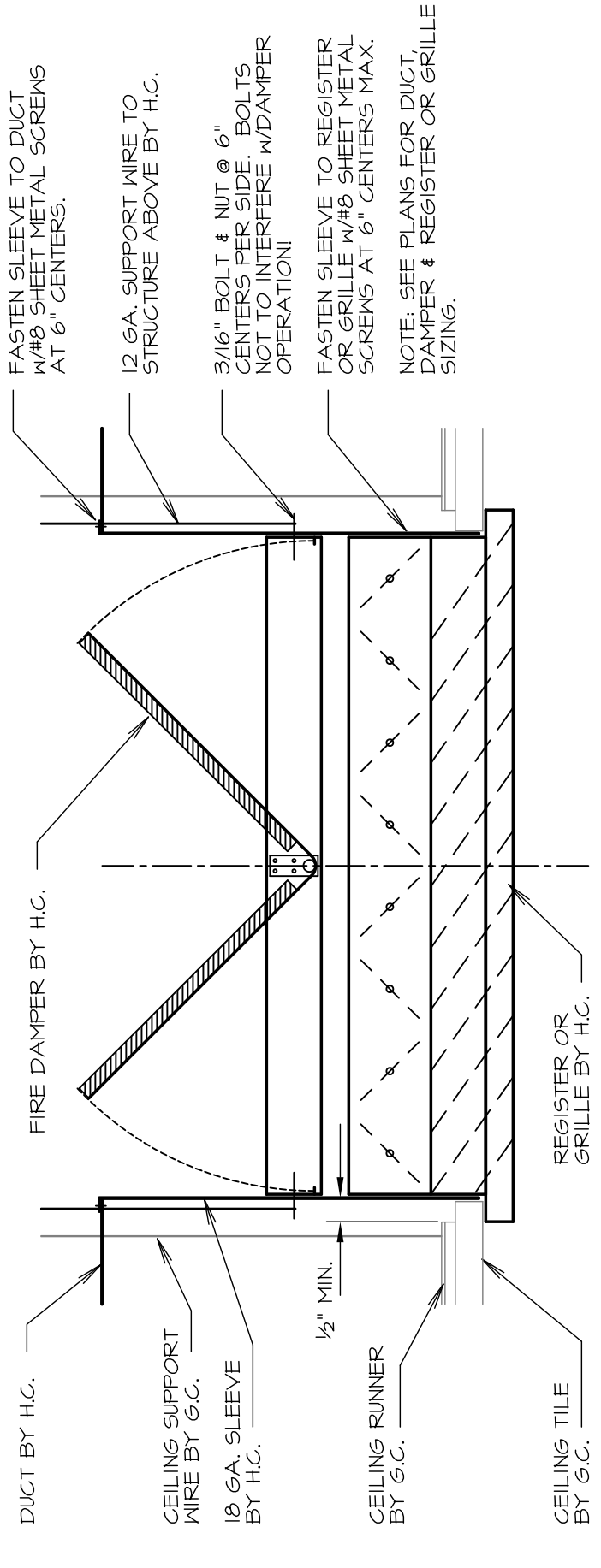
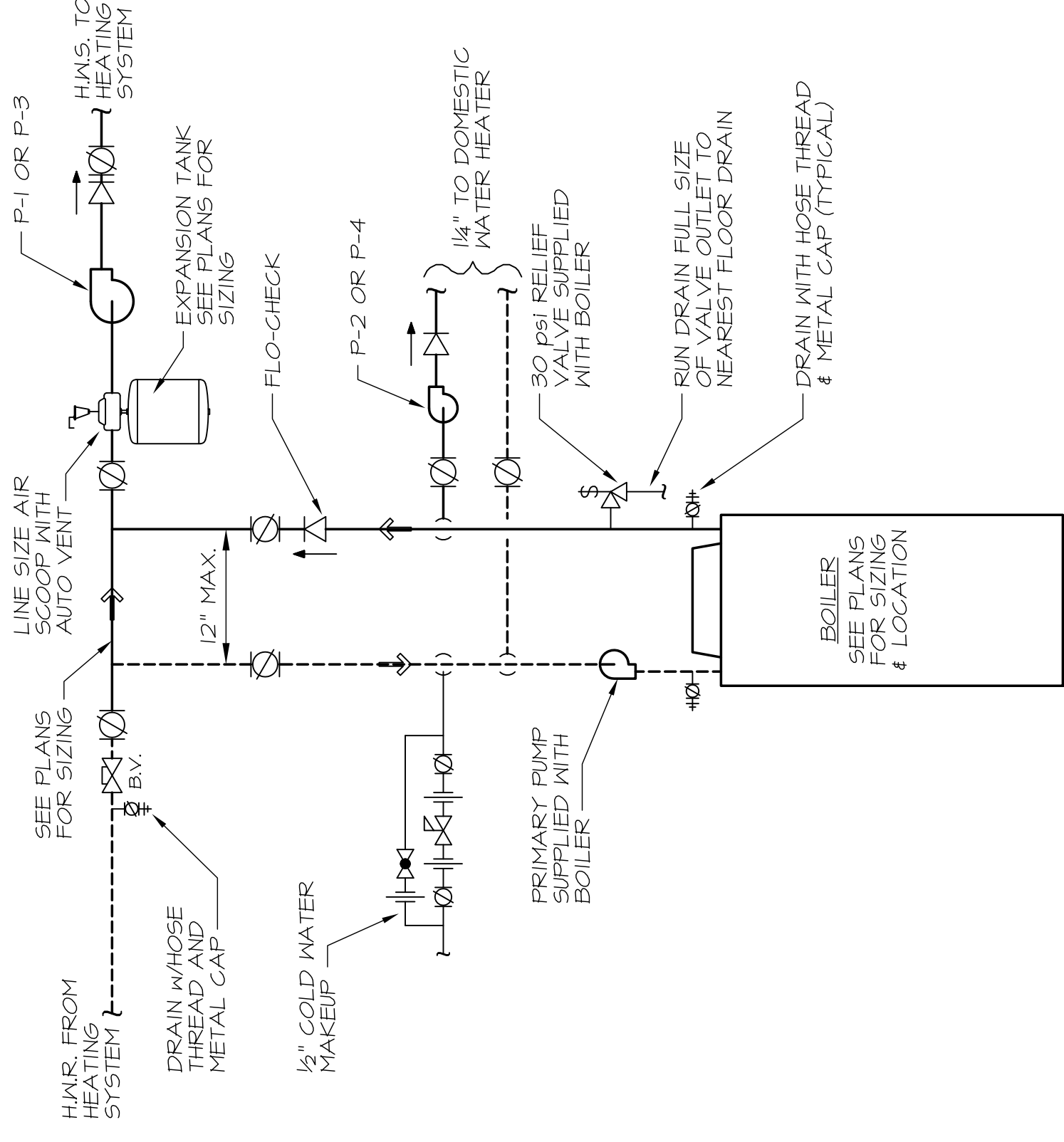


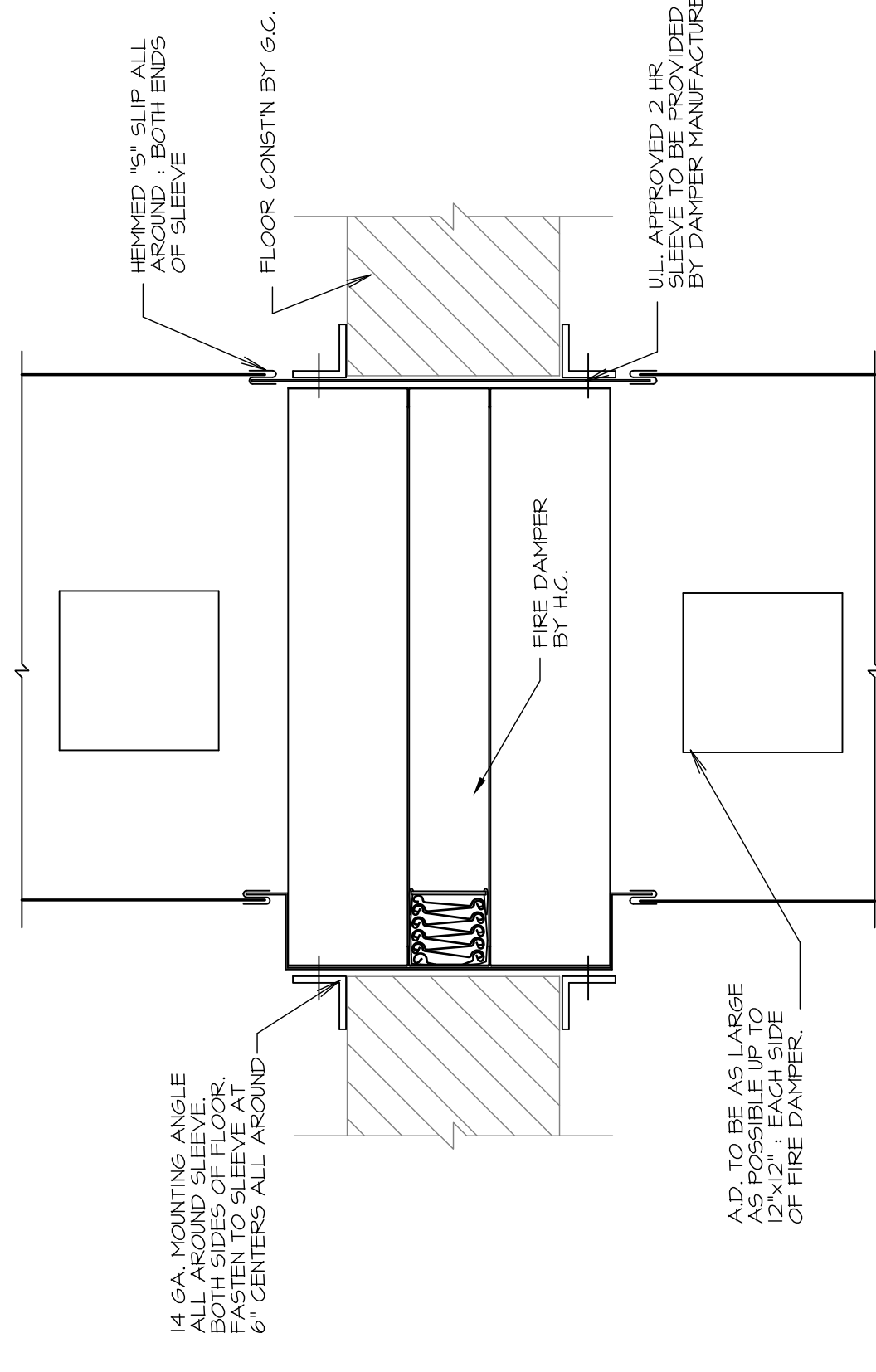
**1** CEILING FAN & SECONDARY FIRE DAMPER ASSEMBLY  
NO SCALE



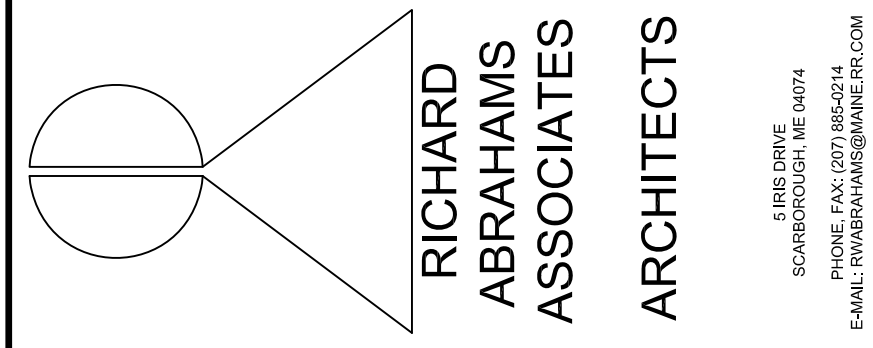
**2** FIRE DAMPER ABOVE CEILING REGISTER OR GRILLE  
NO SCALE



**3** TYPICAL BOILER PIPING SCHEMATIC  
NO SCALE



**4** FLOOR FIRE DAMPER STYLE "B"  
NO SCALE



THIS DRAWING, DESIGN AND ELECTRONIC FILE ARE THE PROPERTY OF RICHARD ABRAHAMS ASSOCIATES ARCHITECTS. THE REPRODUCTION OR TRANSMISSION OF THIS DOCUMENT WITHOUT WRITTEN CONSENT OF RICHARD ABRAHAMS ASSOCIATES ARCHITECTS IS STRICTLY PROHIBITED BY FEDERAL COPYRIGHT LAW.

NO.	DESCRIPTION	DATE

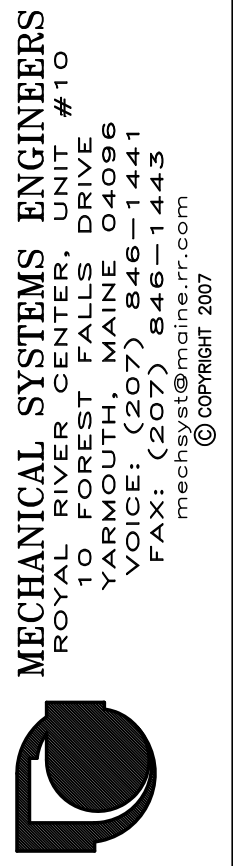
**PROPOSED NEW SYNAGOGUE  
AND RESIDENCE**

PORTLAND, MAINE  
POWEROY STREET

**OWNER**  
CHABAD LUBAVITCH OF  
MAINE, INC.  
101 CRANGIE STREET  
PORTLAND, ME 04102

DATE	07.18.2007
SCALE	NOTED
DRAWN BY	R.E.M.
JOB NO.	0702
DESIGN STAGE	REVIEW DOCUMENTS
SHEET TITLE	MECHANICAL DETAILS

**M-7**



**MECHANICAL SYSTEMS ENGINEERS**  
ROYAL RIVER CENTER, UNIT #10  
10 FOREST FALLS DRIVE  
PORTLAND, ME 04102  
VOICE: (207) 846-1441  
FAX: (207) 846-1443  
mechse.com  
© COPYRIGHT 2007

**PROGRESS SET ONLY  
FOR REVIEW BY AUTHORITIES  
HAVING JURISDICTION**