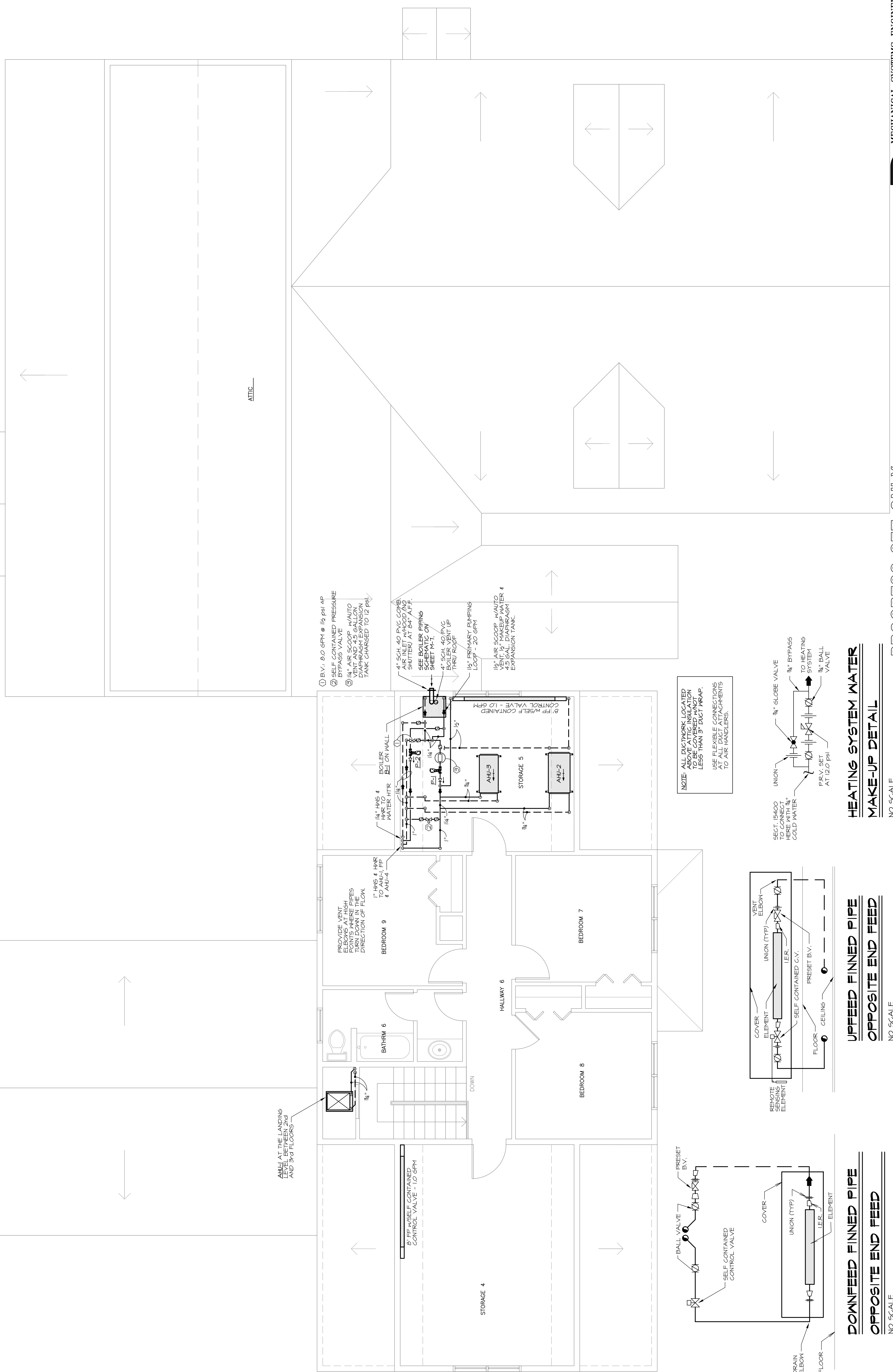
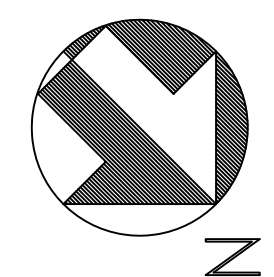
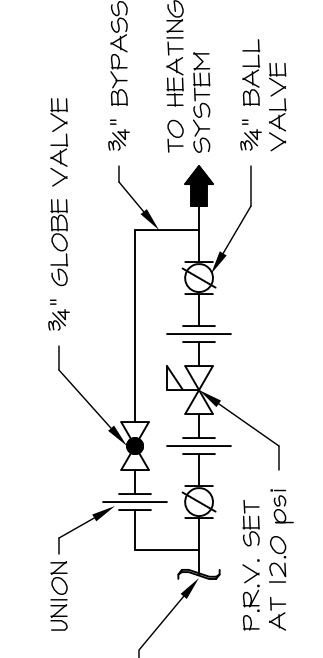


NO.	DESCRIPTION	DATE

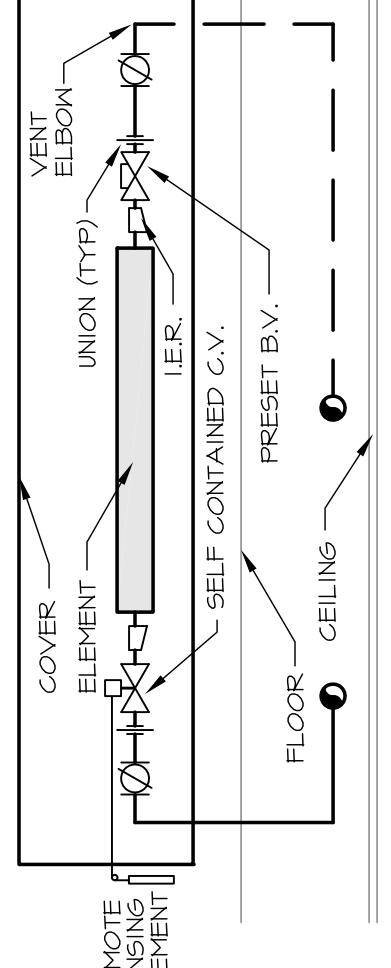


- 1. B.V. - 8.0 GPM @ 1/2 psi AP
- 2. SELF CONTAINED PRESSURE BYPASS VALVE
- 3. 1/4\"/>

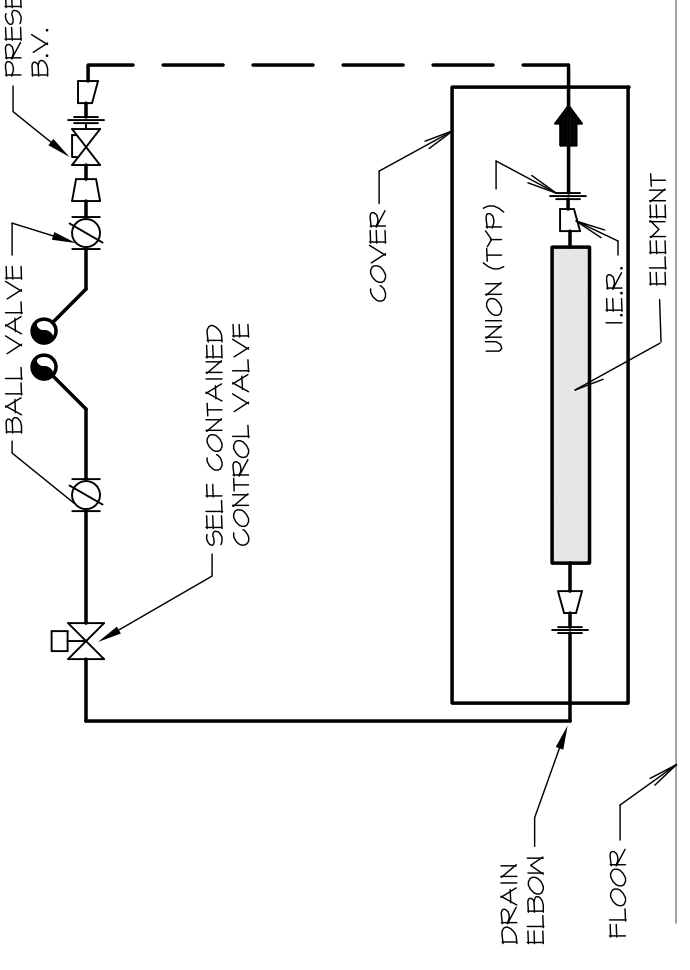
NOTE: ALL DUCTWORK LOCATED ABOVE ATTIC INSULATION TO BE COVERED, MINOT LESS THAN 3\"/>



HEATING SYSTEM WATER MAKE-UP DETAIL



UPFEED FINNED PIPE OPPOSITE END FEED



DOWNFEED FINNED PIPE OPPOSITE END FEED