



PENSOTTI

A GRANBY COMPANY

Instruction Manual

PCH 50B-H

***Condensing Combination
Space heating / Boiler
170,600 BTU/h INPUT***

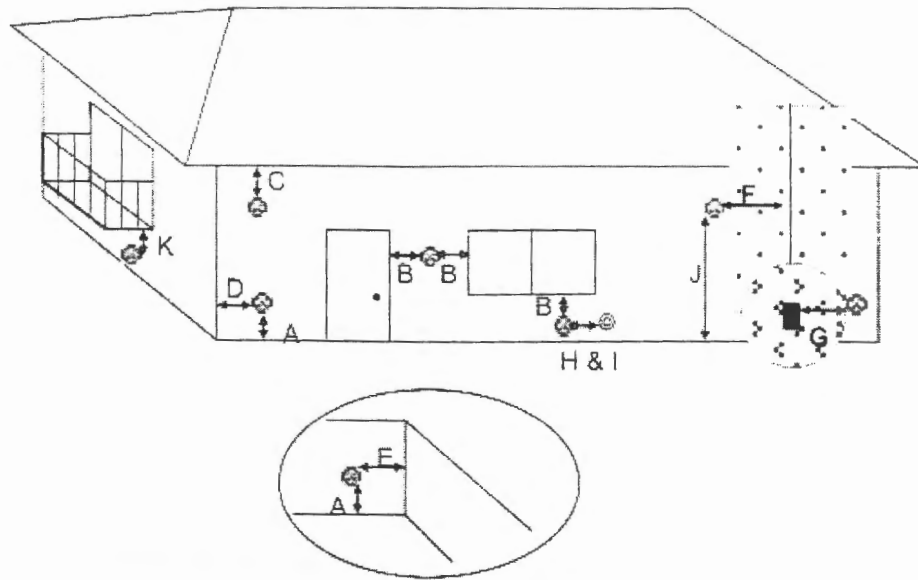
WARNING

If the information in these instructions is not followed exactly, a fire or explosion may result, causing property damage, personal injury or death.

- Do not store or use gasoline or other flammable vapors or liquids in the vicinity of this or any other appliance.
- WHAT TO DO IF YOU SMELL GAS
 - Do not try to light any appliance
 - Do not touch any electrical switch; do not use any phone in your building
 - Immediately call your gas supplier from a neighbor's phone. Follow the gas supplier's instructions.
 - If you cannot reach your gas supplier, call the fire department
- Installation and service be performed by a qualified installer, service agency or the gas supplier.
- Use of a properly calibrated electronic combustion analyzer MUST be used to install and/or service this appliance.**

Approved in accordance with:
ANSI Z21.13b-2010 / CSA 4.9b (2010) Low Pressure Boiler
Manufactured/Distributed by : Granby Furnaces Inc.
12118 Hwy 209, Parrsboro, NS, Canada





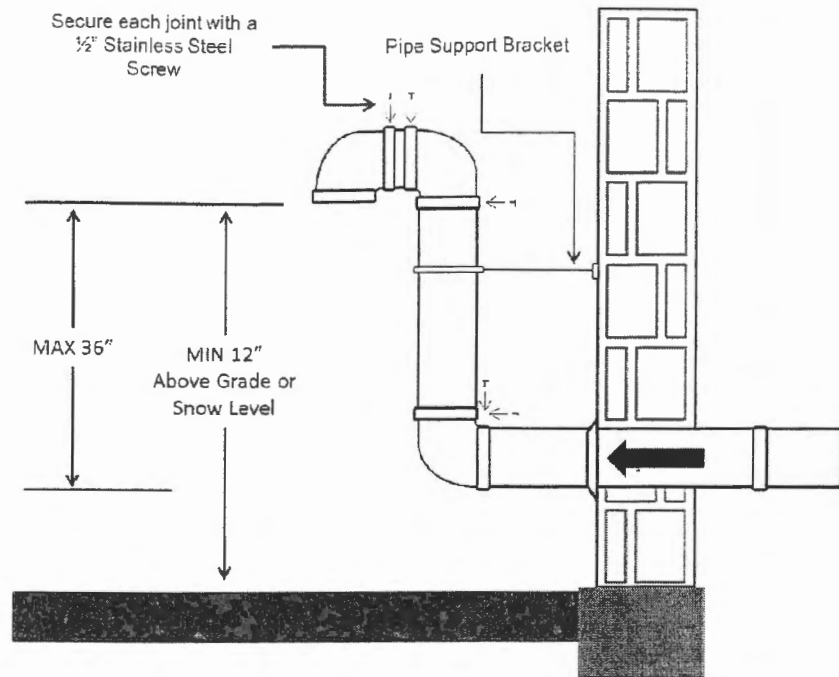
| Direct Vent Termination Minimum Clearances | |
|--|--|
| A = 12" | Clearance above grade, snowline, deck, porch or balcony |
| B = 12" | Clearance to window or door that may be opened |
| C = 24" | Vertical clearance to ventilated and unventilated soffit within a 2' distance horizontally from center line of DV termination |
| D = 12" | Minimum distance to outside corner |
| E = 18" | Minimum distance to inside corner, included walls and fences. |
| F = 48" | Not to be installed above a gas meter/regulator within F from the center line of the meter/regulator |
| G = 48" | Minimum clearance to service regulator vent outlet, gas meter or electrical meter |
| H = 12" | Clearance to non-mechanical inlet air opening into the building |
| I = 36" | Clearance to a mechanical air inlet into the building |
| J = 84" | Minimum distance above a paved sidewalk or driveway located on public property. If terminal is located between two single family residences with a sidewalk or driveway between; the same 84" clearance applies. |
| K = 24" | Minimum clearance beneath porch, deck, veranda or balcony, only if the area below is completely open on at least two sides. |

State and local codes may require different clearances, consult the local authority having jurisdiction in each area for details.

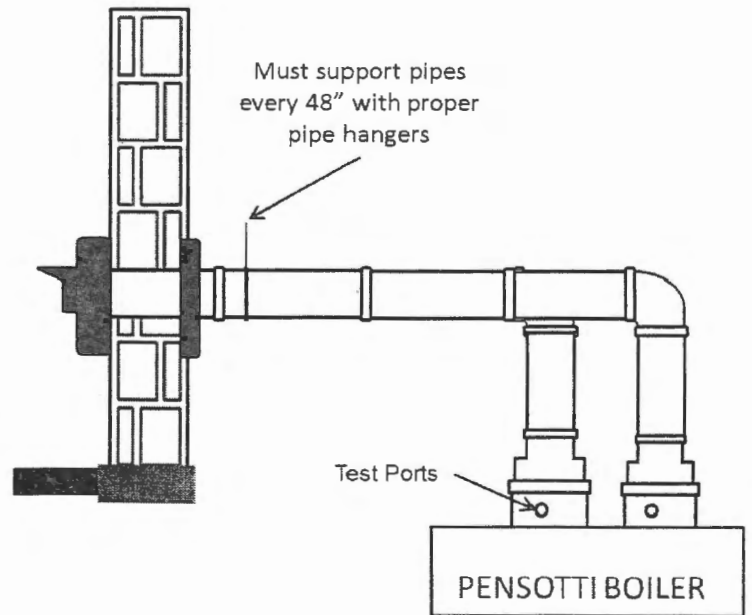
The vent hood must be installed on the leeward side of the structure. Avoid installing the vent hood on the side of the structure receiving normal prevailing winds.

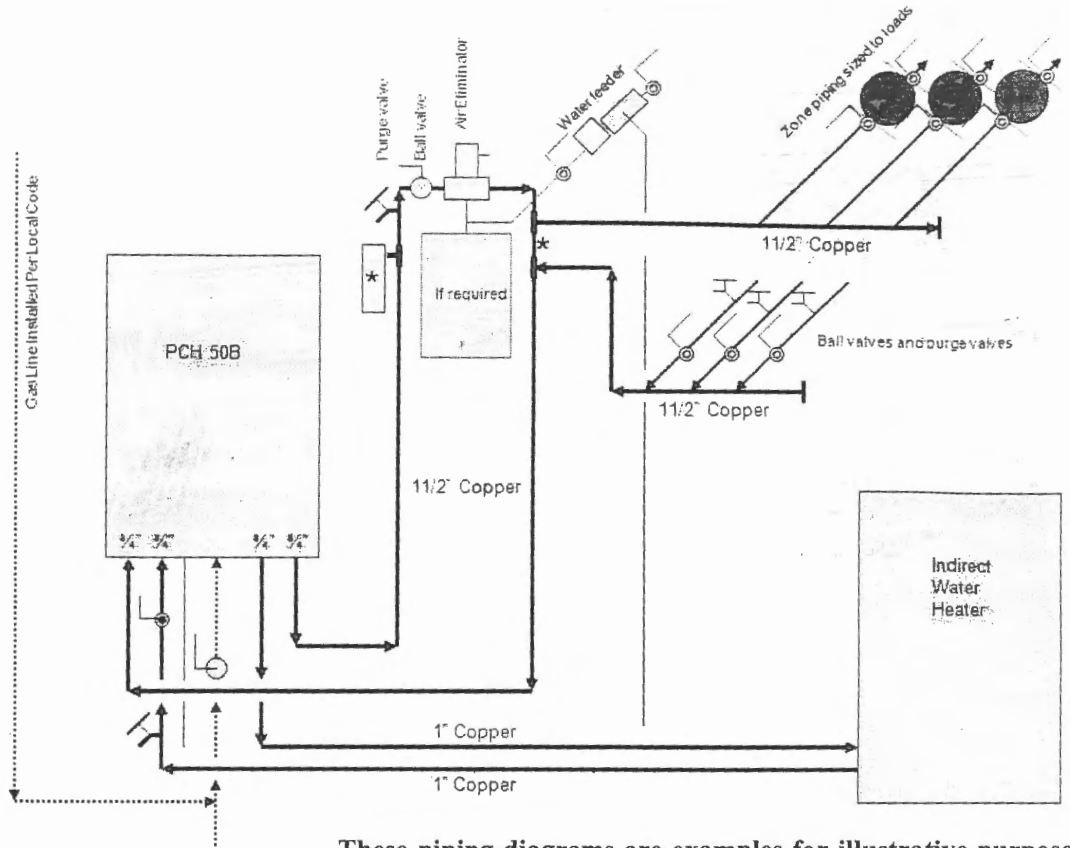
The termination shall be located so that flue gasses, or condensate from the flues gasses, are not directed as to jeopardize people, building materials, building construction, siding or soffits. Flue gasses from the termination shall not be allowed to enter any type of structure.

The termination shall be located no less than 48" above or to the side of the exhaust for any other oil, gas or solid fuel appliance



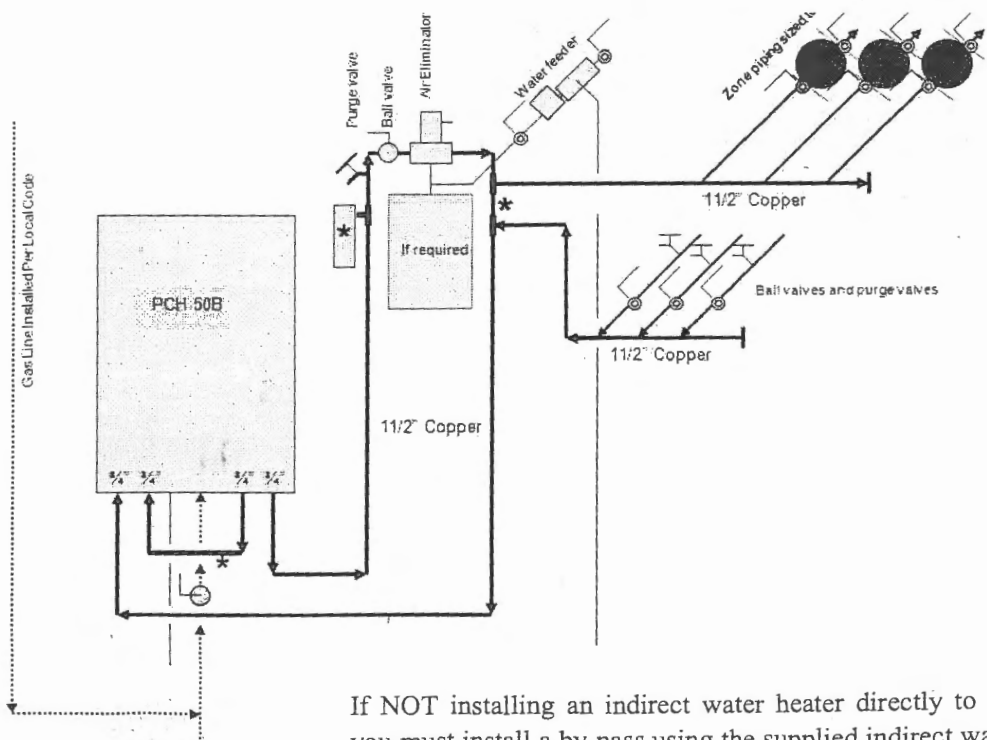
Follow all venting manufacturers' guidelines for low-profile terminations.





These piping diagrams are examples for illustrative purposes only. They are not designed to be used as a piping schematic.

- *Max. 4 pipe diameters between tees
- *External Low Water Cut-Off if required by local code
- *Tempering Valve May be Required – Consult Local Codes
- *Must leave at least 15" of straight pipe on either side of closely spaced tees



If NOT installing an indirect water heater directly to the boiler, you must install a by-pass using the supplied indirect water heater connections. See page 20.