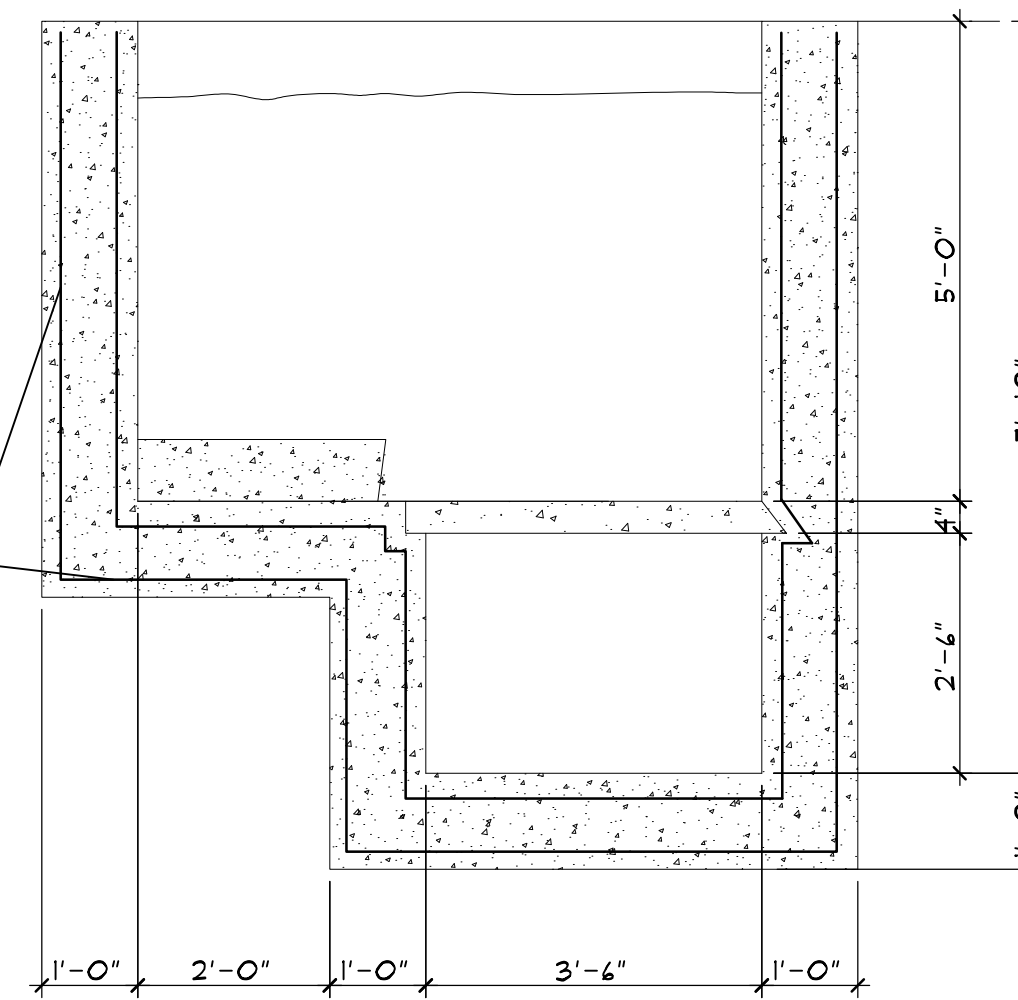
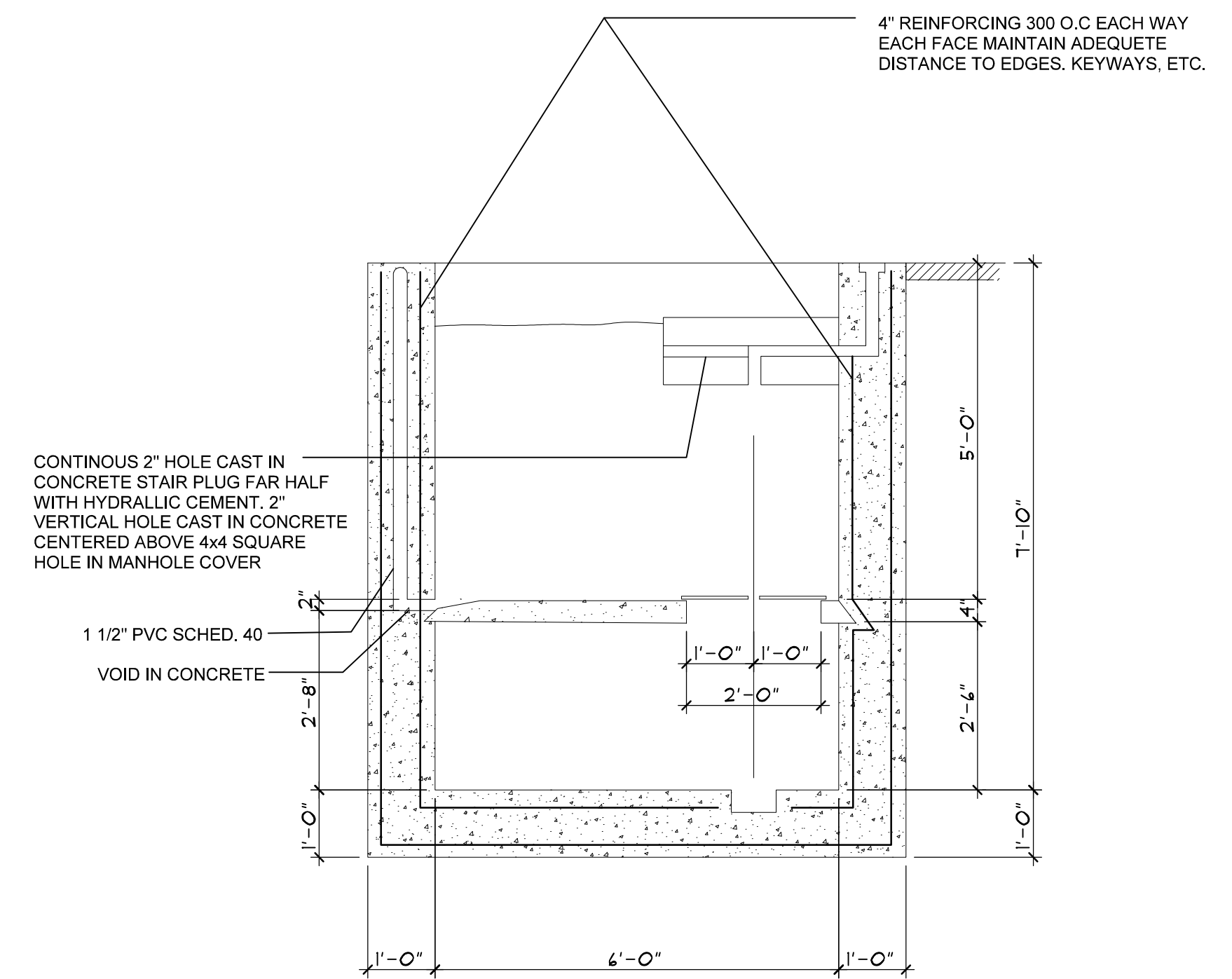


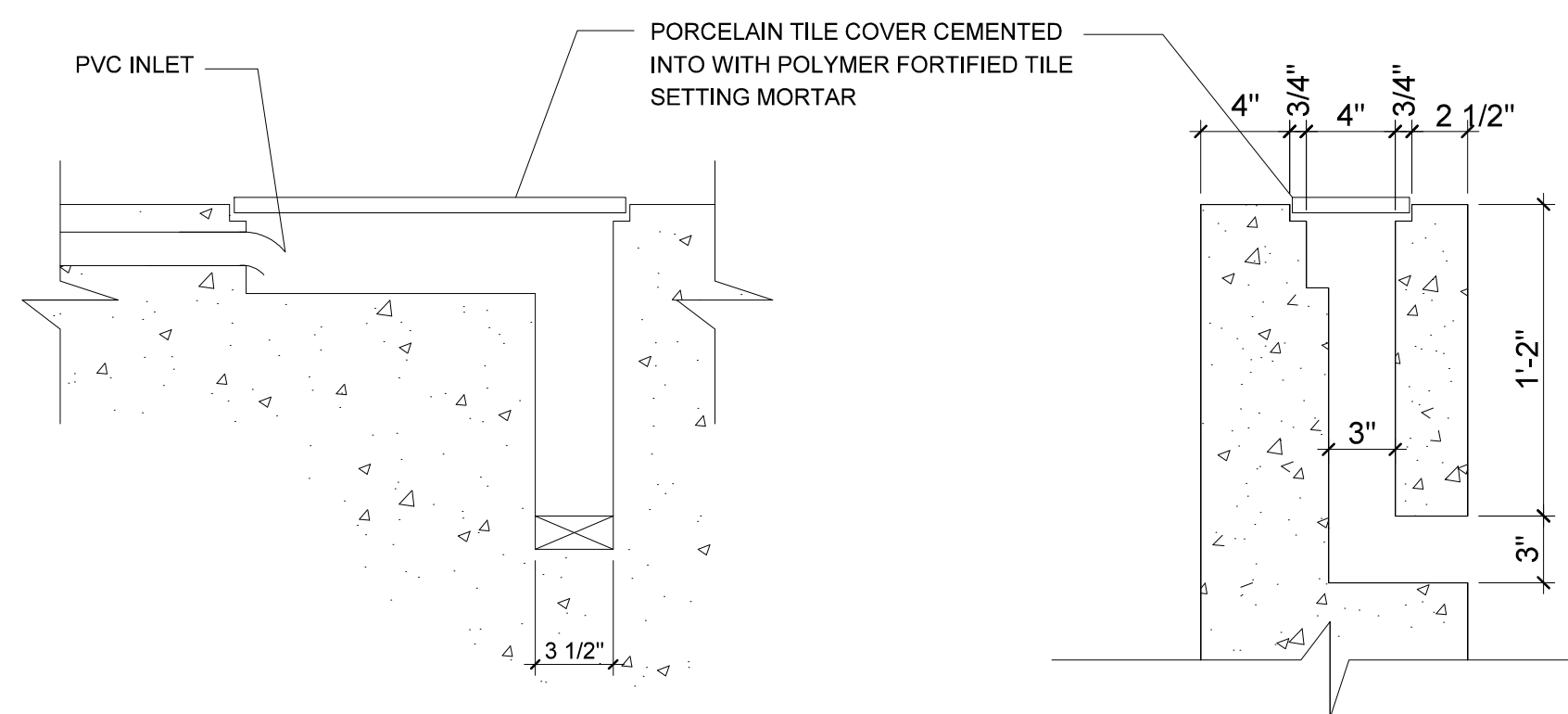
1 MIKVAH SECTION
SCALE: 1/2" = 1'-0"



2 MIKVAH SECTION
SCALE: 1/2" = 1'-0"

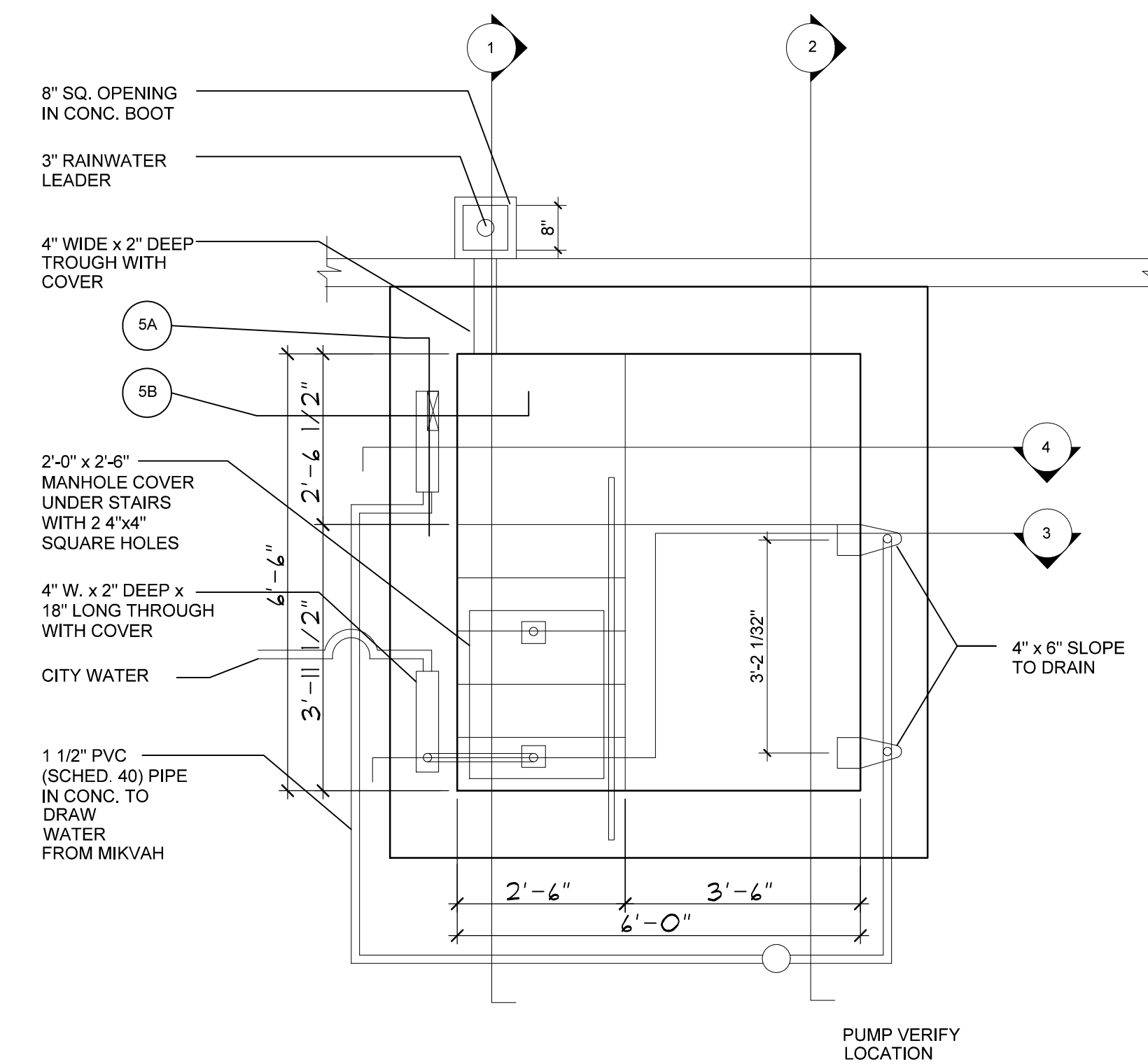


3 MIKVAH SECTION
SCALE: 1/2" = 1'-0"

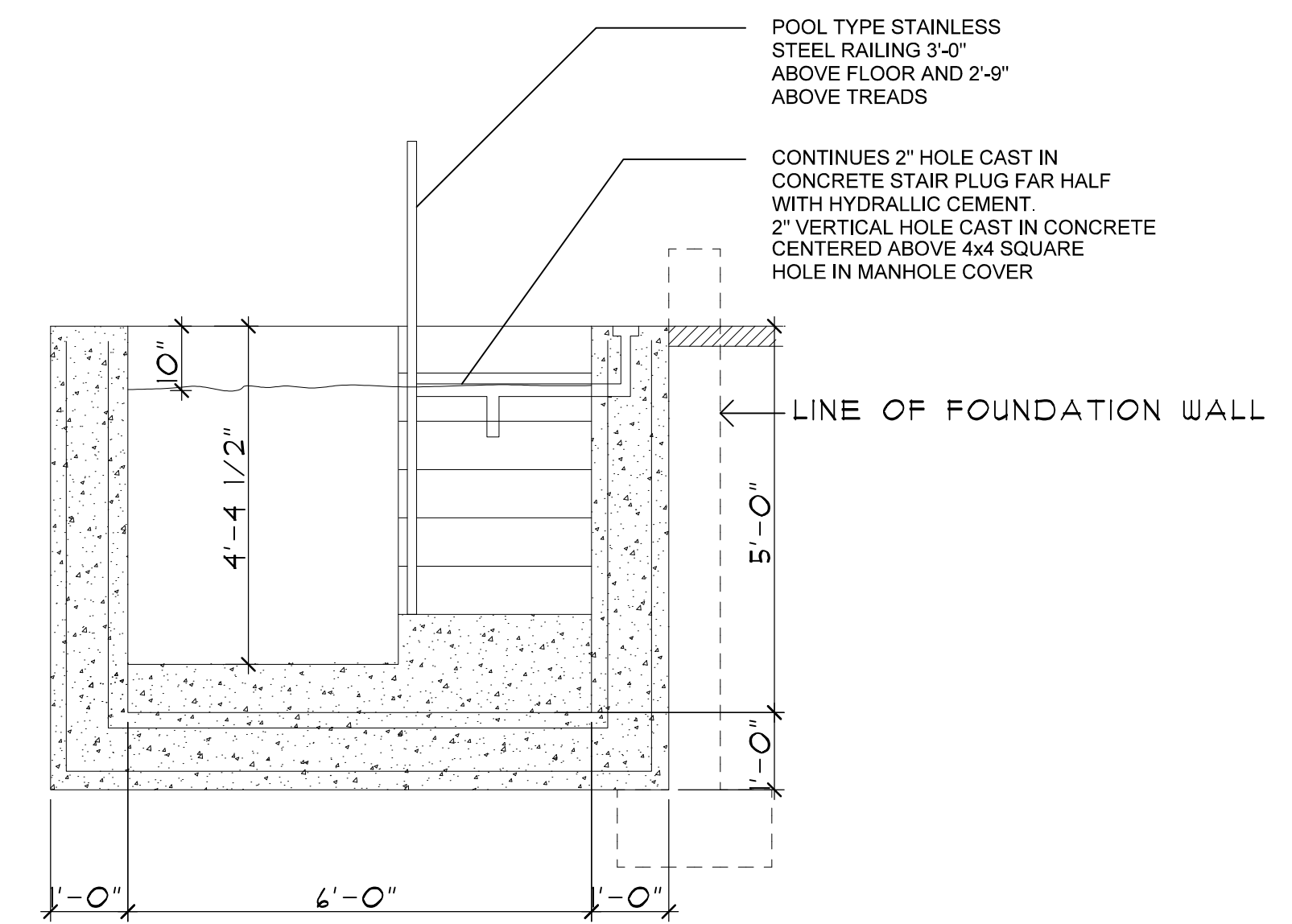


5A TROUGH SECTION
SCALE: 1 1/2" = 1'-0"

5B TROUGH SECTION
SCALE: 1 1/2" = 1'-0"



MIKVAH PLAN
SCALE: 1/2" = 1'-0"



4 MIKVAH SECTION
SCALE: 1/2" = 1'-0"

NO.	DESCRIPTION OF REVISION	DATE
1	REVISED PER CODE	04/20/17

NEW RESIDENCE
11 POMEROY STREET
PORTLAND, MAINE

Gleason Architects
P.O. BOX 596
STRATHAM, NEW HAMPSHIRE 03885
603 772-7370

ARCHITECT

ENGINEER
DATE: 02/15/17
PROJECT NO. 201618
SHEET NO.

A-3
OF SHEETS