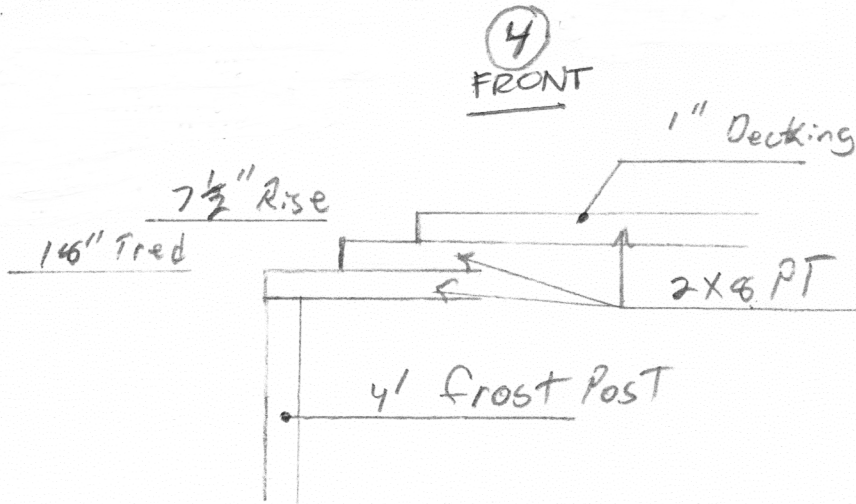
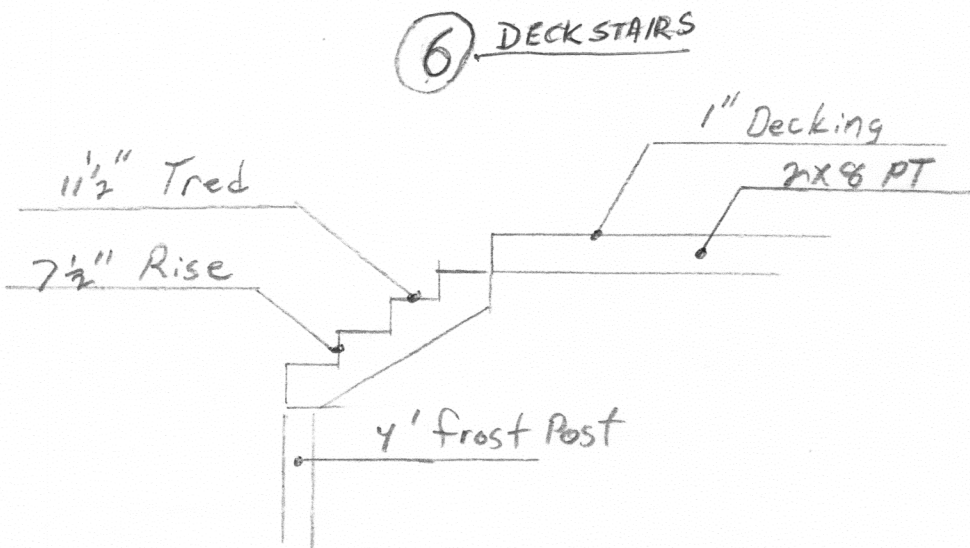
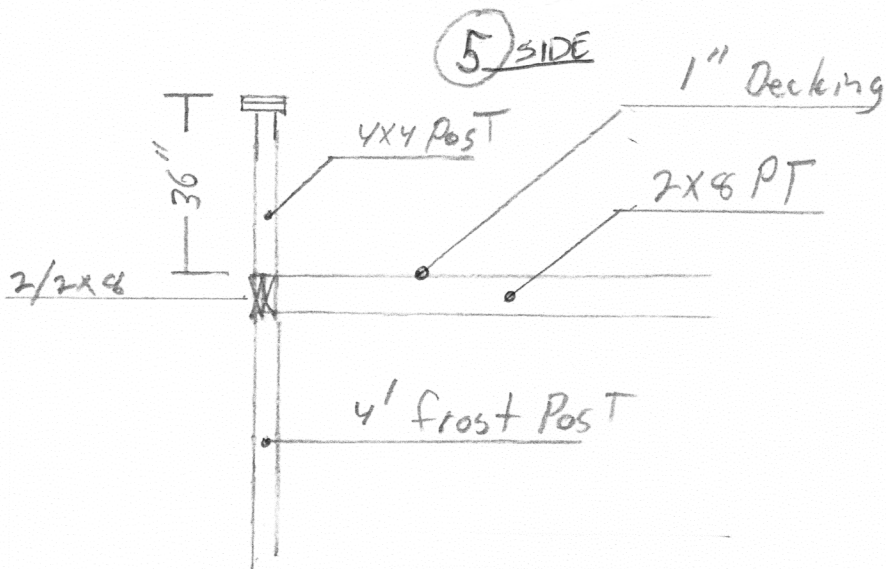


SPECIFICATIONS

SI. SPECIFICATIONS
EBL 193 A012001



LELAND
207 459-8580
lelandDM@gmail.com
119 Bancroft St
MAP 193 A012001



$\frac{1}{4}'' = 1'$

1001

PHIL CHASE
7/2015