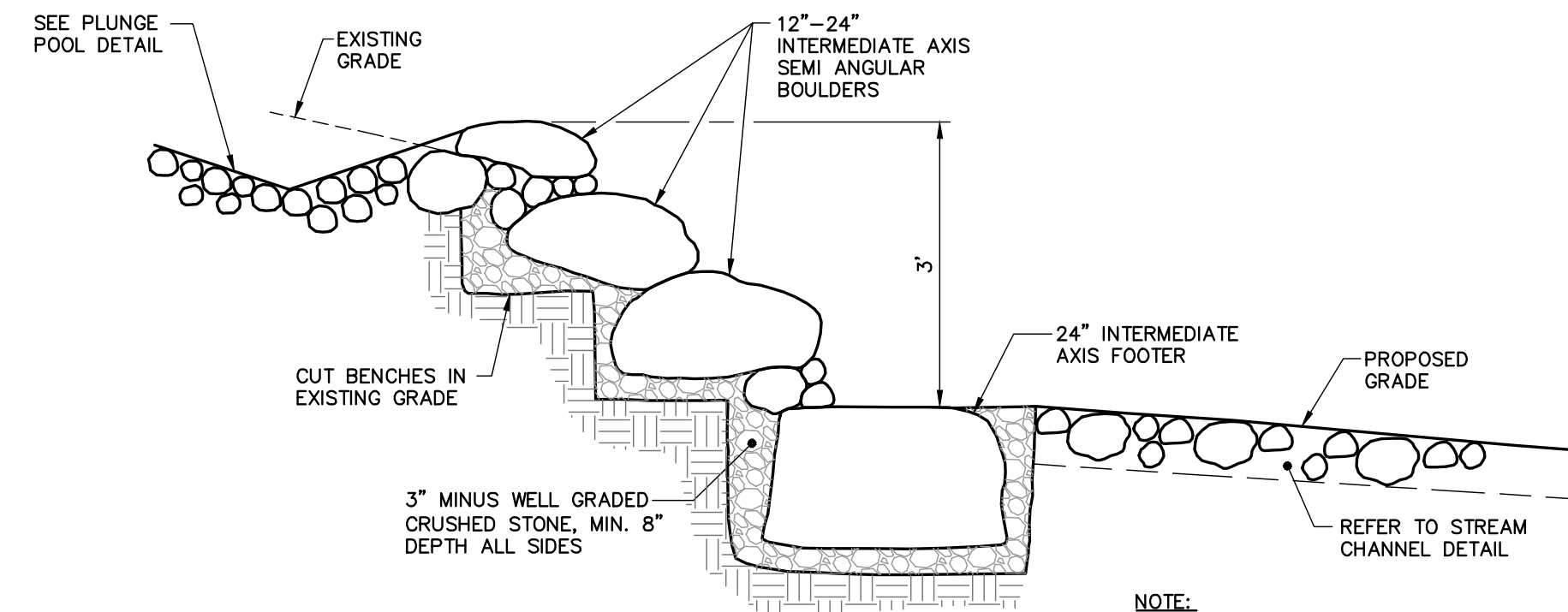


NOTES:

- INSTALL TEMPORARY EROSION CONTROL MATTING ON ALL SLOPES 2:1 OR GREATER OUTSIDE OF CHANNEL.

ROCKLAND AVE. OUTFALL PLUNGE POOL DETAIL*

*CROSS SECTION DETAIL ACROSS CHANNEL;
APPLICABLE STA. 1+65 TO 2+20
N.T.S.

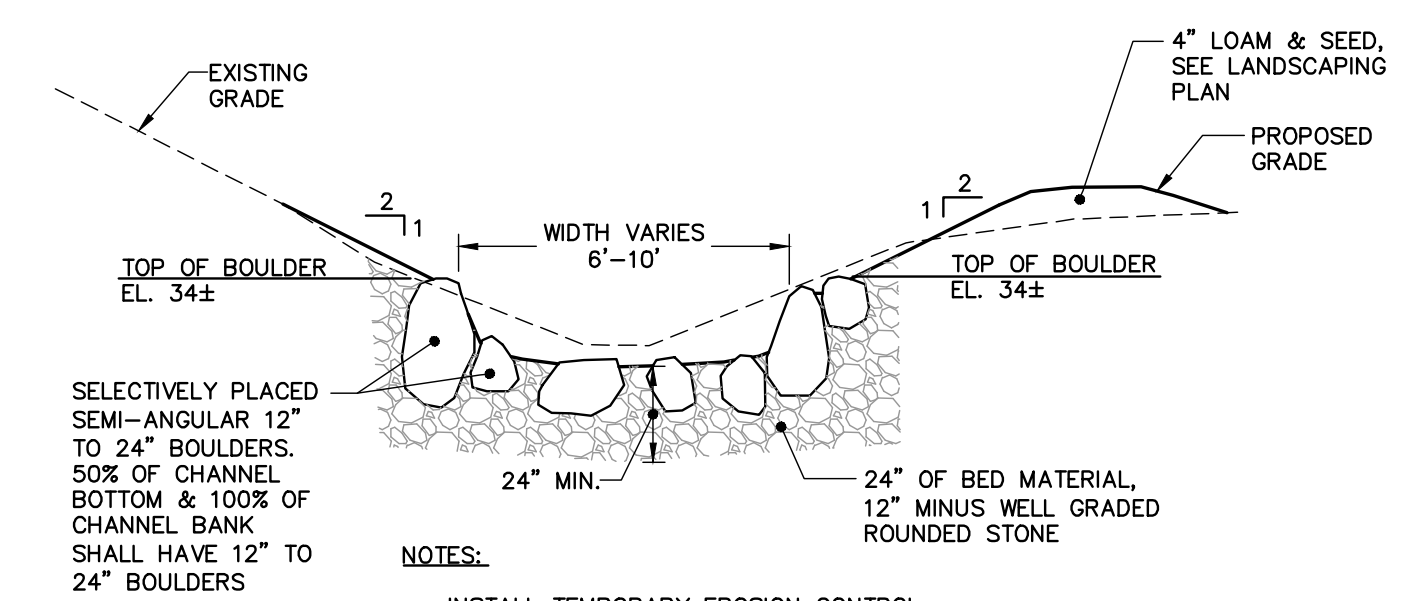


NOTE:

- INSTALL TEMPORARY EROSION CONTROL MATTING ON ALL SLOPES 2:1 OR GREATER OUTSIDE OF CHANNEL.
- INSTALL 12"-24" SEMI-ANGULAR BOULDERS OVER 8" OF 3" MINUS WELL GRADED CRUSHED STONE ON CHANNEL BANKS TO EL. 36 AT CASCADE.

ROCKLAND AVE. OUTFALL CASCADE DETAIL*

*CROSS SECTION DETAIL PATH OF CHANNEL;
APPLICABLE STA. 1+50 TO 1+65
N.T.S.

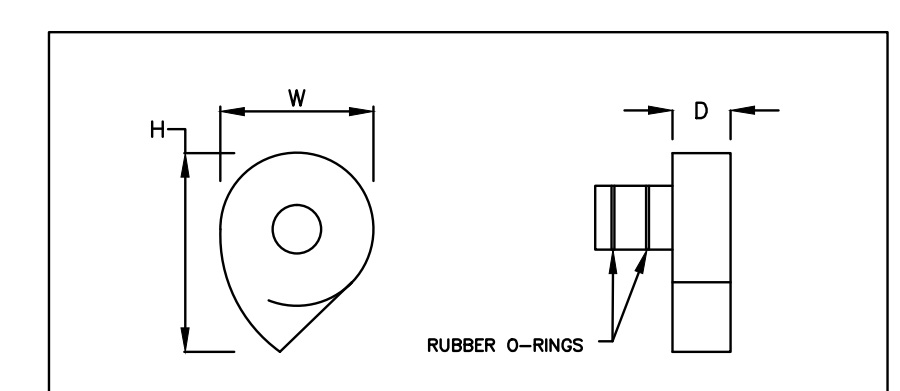


NOTES:

- INSTALL TEMPORARY EROSION CONTROL MATTING ON ALL SLOPES 2:1 OR GREATER OUTSIDE OF CHANNEL.

ROCKLAND AVE. OUTFALL STREAM CHANNEL DETAIL*

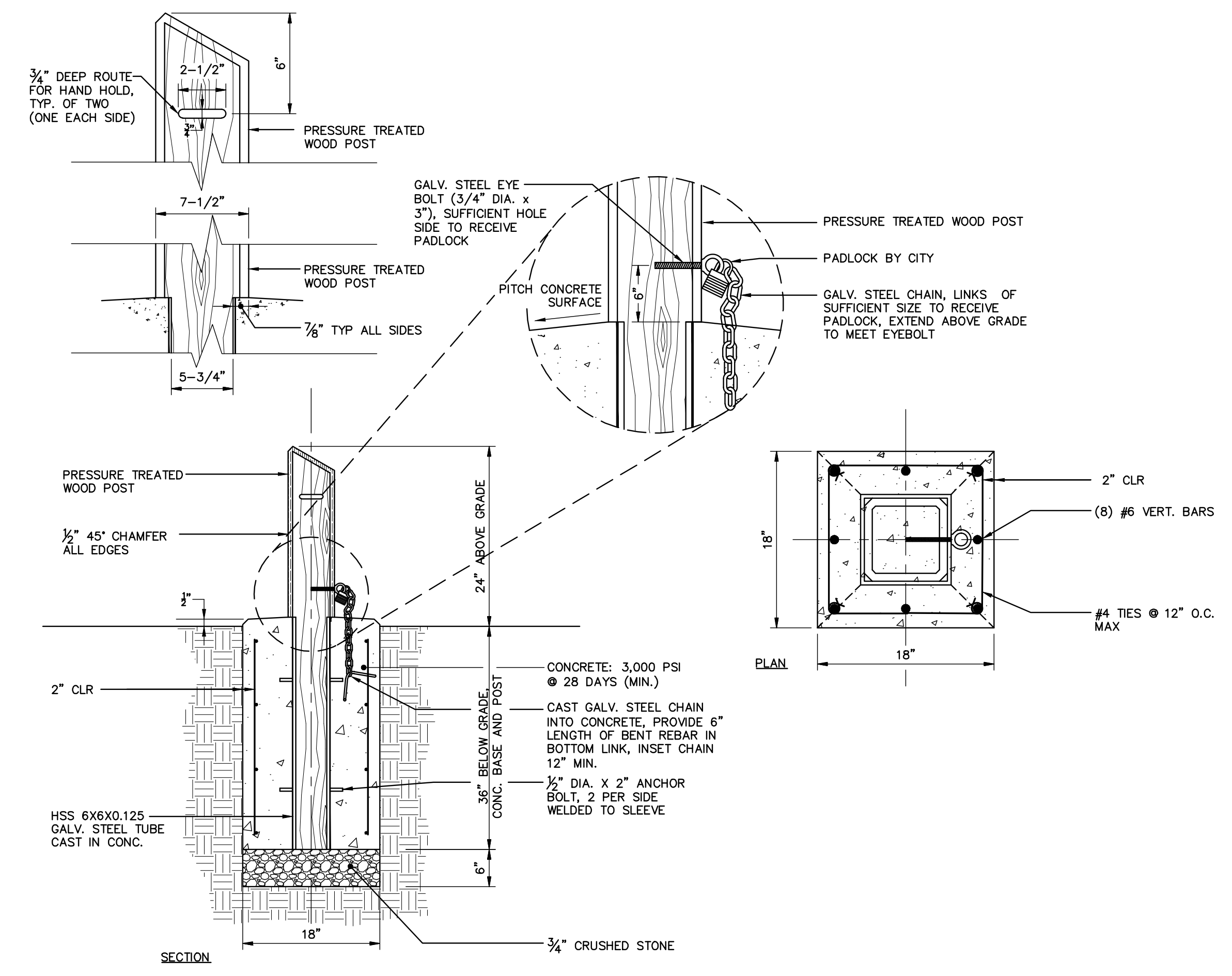
*CROSS SECTION DETAIL ACROSS CHANNEL;
APPLICABLE STA. 0+85 TO 1+50
N.T.S.



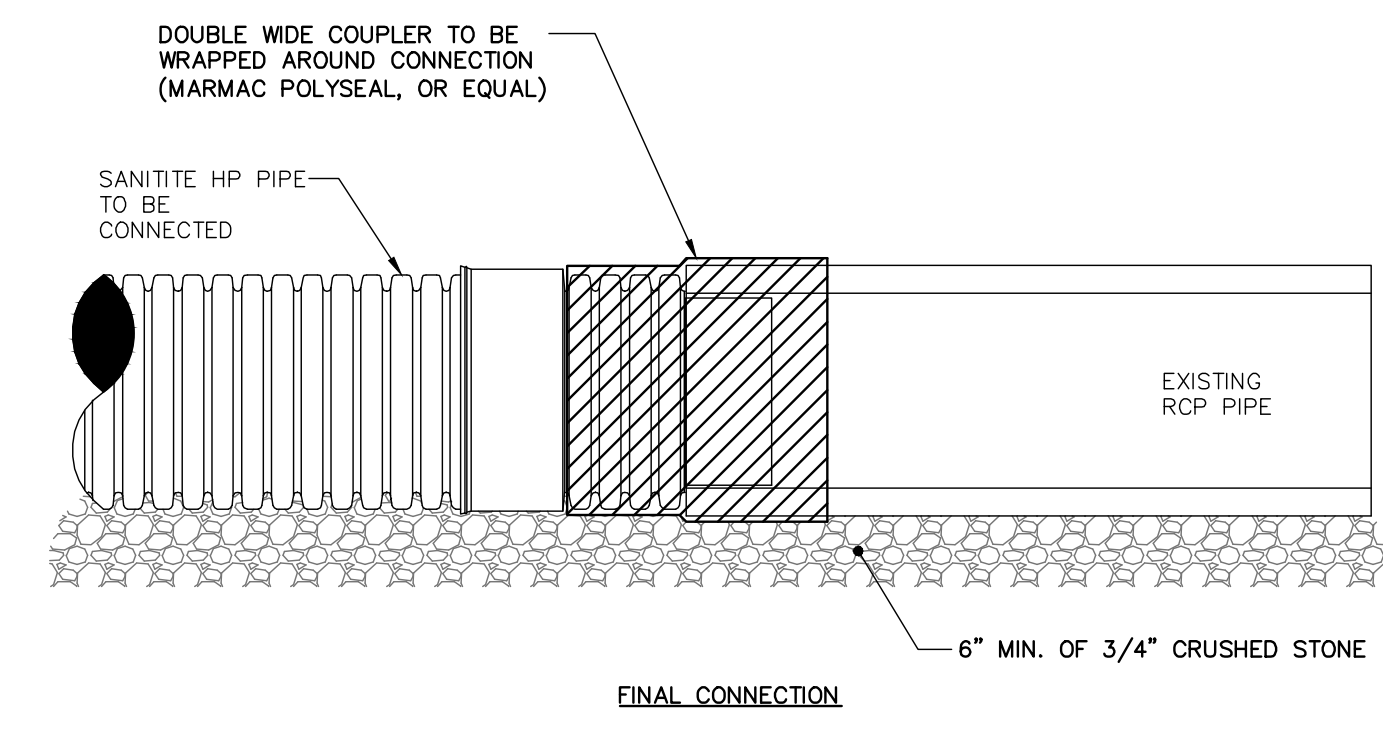
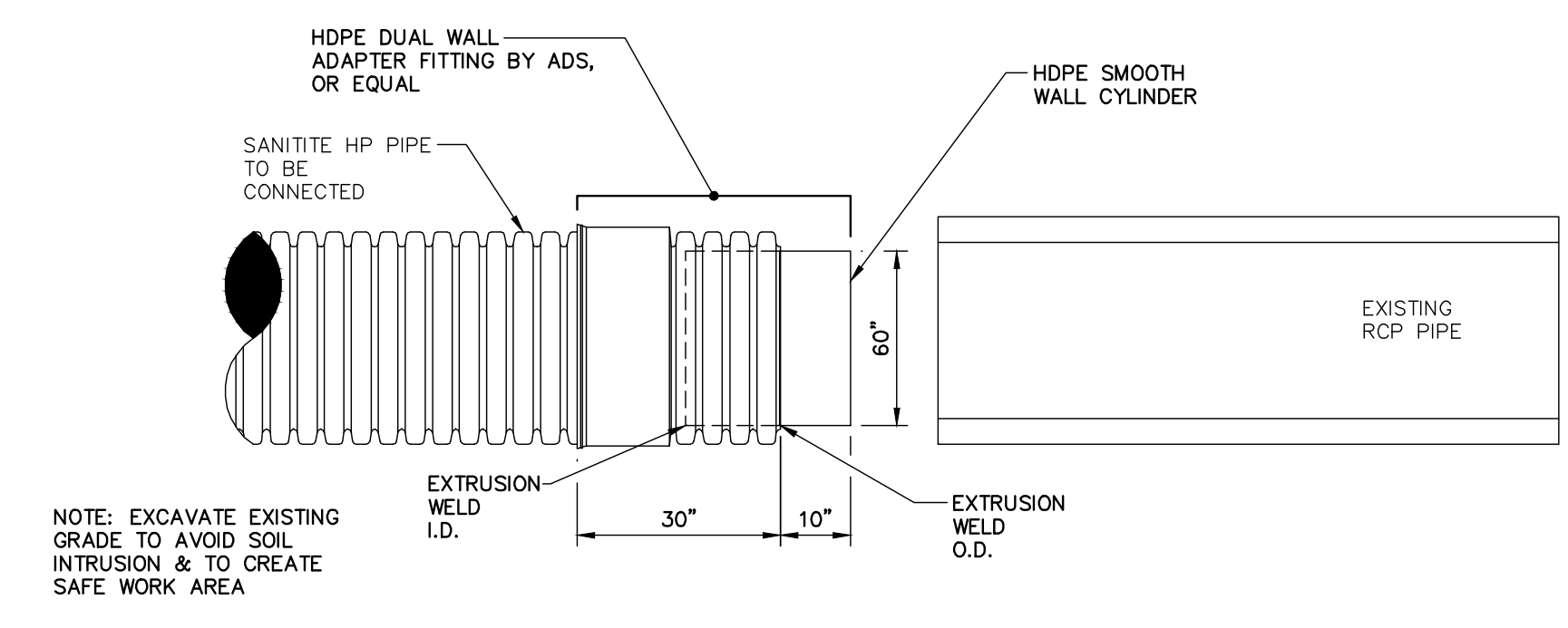
SIZE	FLUIDIC AMPS			
	17"x14"	14"x16"	17"x19"	20"x23"
WIDTH (W)	1'-3 3/4"	1'-4 3/4"	1'-7 1/2"	1'-11 1/2"
HEIGHT (H)	1'-0"	1'-2 1/4"	1'-4 3/4"	1'-8 1/4"
DEPTH (D)	4"	4 1/2"	5 1/2"	6 1/2"

*Box inlets involve some individual custom sizing.
Overall dimensions are always slightly smaller than the outlet diameter specified.
Sleeve dimensions are as follows: sleeve length = sleeve diameter = outlet pipe I.D. minus 1 inch.

PROVIDED BY CITY OF PORTLAND FOR REFERENCE IN HYDROBRAKE REMOVAL.
HYDROBRAKE DETAIL
N.T.S.



REMOVABLE WOOD BOLLARD
N.T.S.



NOTES:

- PIPE SHALL BE BACKFILLED PER PIPE INSTALLATION DETAIL.
- COUPLER TO BE INSTALLED PER MANUFACTURER'S RECOMMENDATIONS.
- CONTRACTOR CAN ELECT TO PROPOSE ALTERNATE CONNECTION METHODS BETWEEN TREATMENT UNIT AND EXISTING RCP PIPE IN LIEU OF SANITITE HP PIPE.

RCP TO SANITITE PIPE CONNECTION
N.T.S.

41 HUTCHINS DRIVE
PORTLAND, MAINE 04102
800.426.4262 | www.woodardcurran.com

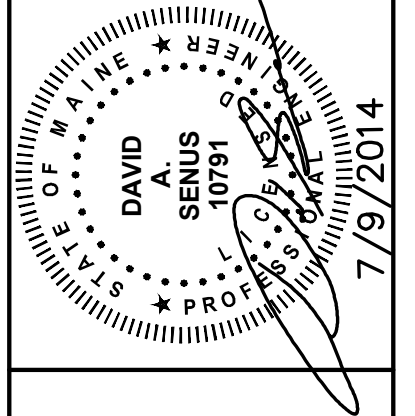


COMMITMENT & INTEGRITY DRIVE RESULTS

LDD PROJECT NAME: N/A
DRAWING NAME: 225672.77 C20X 24X36.DWG
FIELD BOOK USED: N/A

REFERENCES:
Designs1_2012.dwg

DESIGNED BY: BCM/JLS
DRAWN BY: BCM
CHECKED BY: DAS
SCALE: AS NOTED
DATE: JULY 9, 2014



ROCKLAND AVENUE OUTFALL

SITE DETAILS - 3

CITY OF PORTLAND, MAINE
PUBLIC SERVICES DEPARTMENT
ENGINEERING SECTION



SHEET #
7 OF 8
PLAN NUMBER
C-302

\\PORTLAND\Projects\225672.77_C20X 24X36.dwg Jul 09, 2014 - 3:15pm