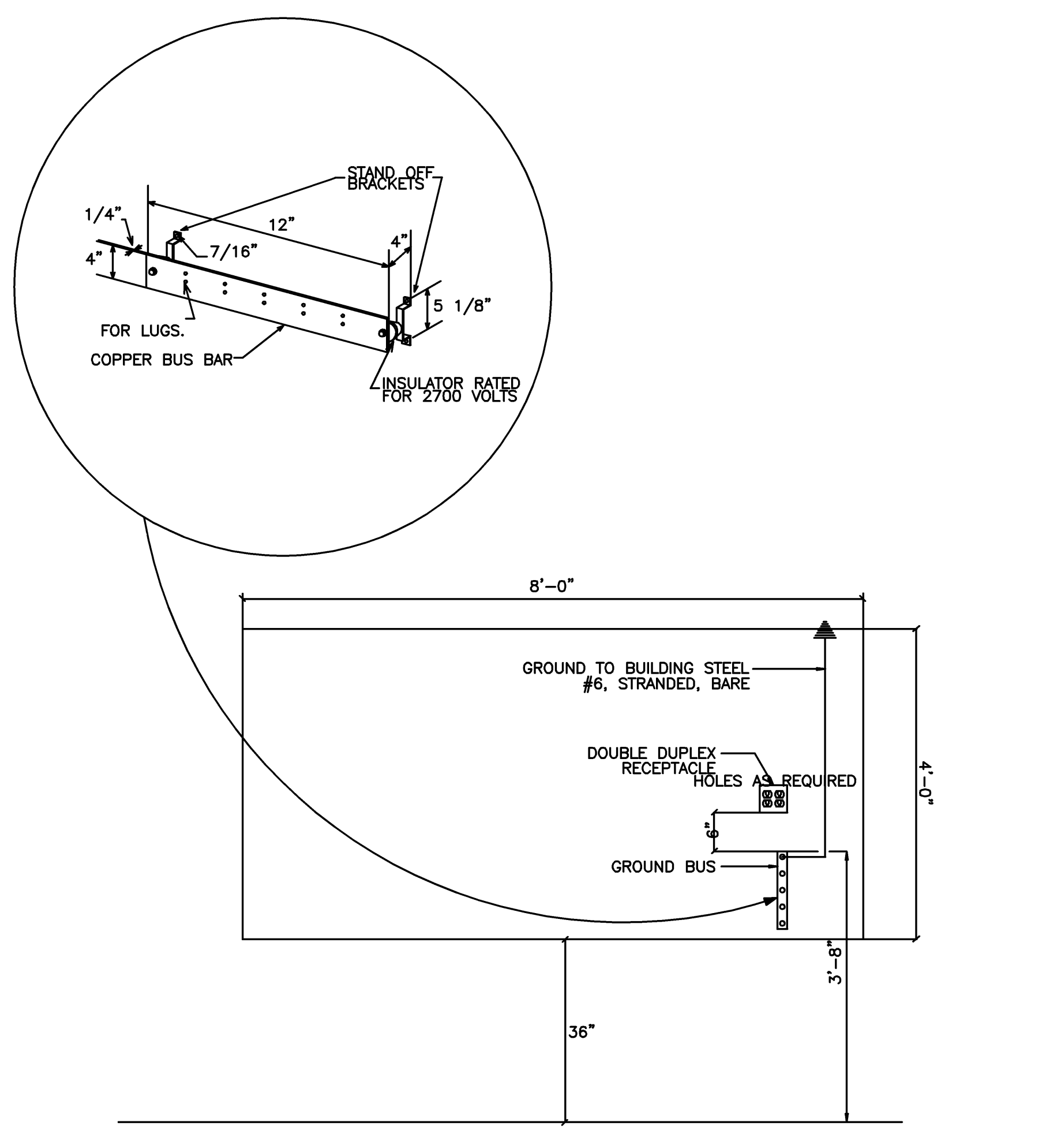
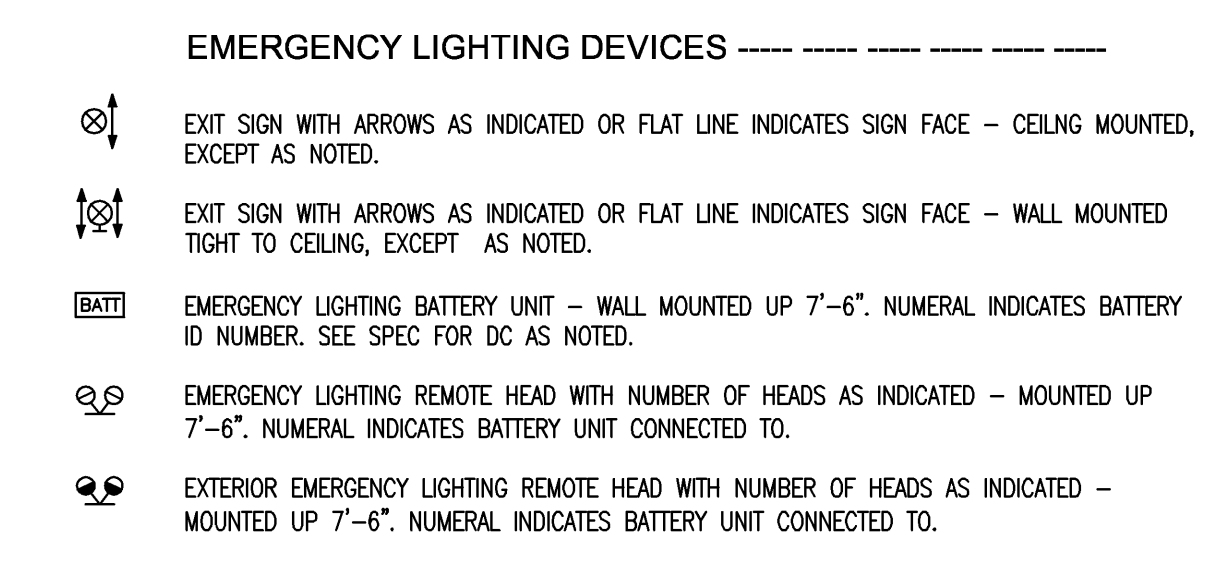
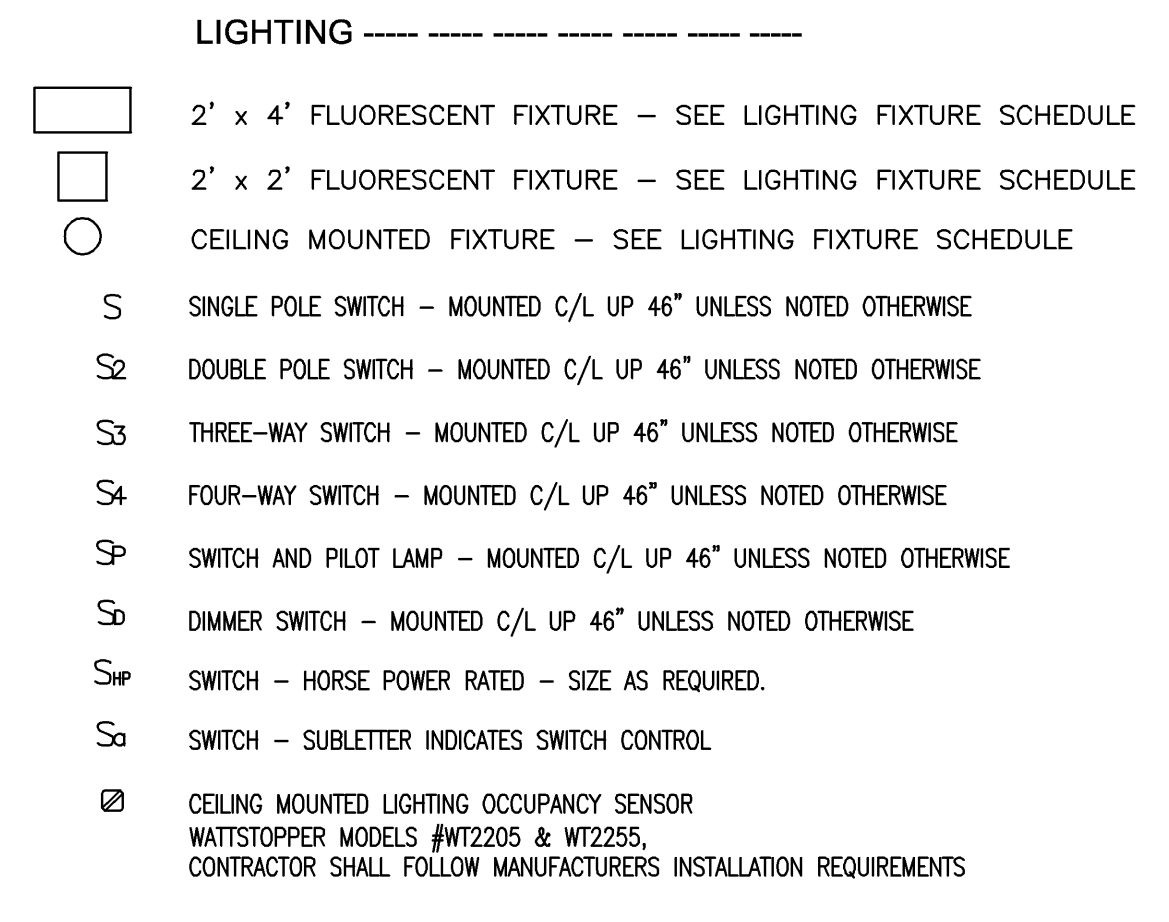
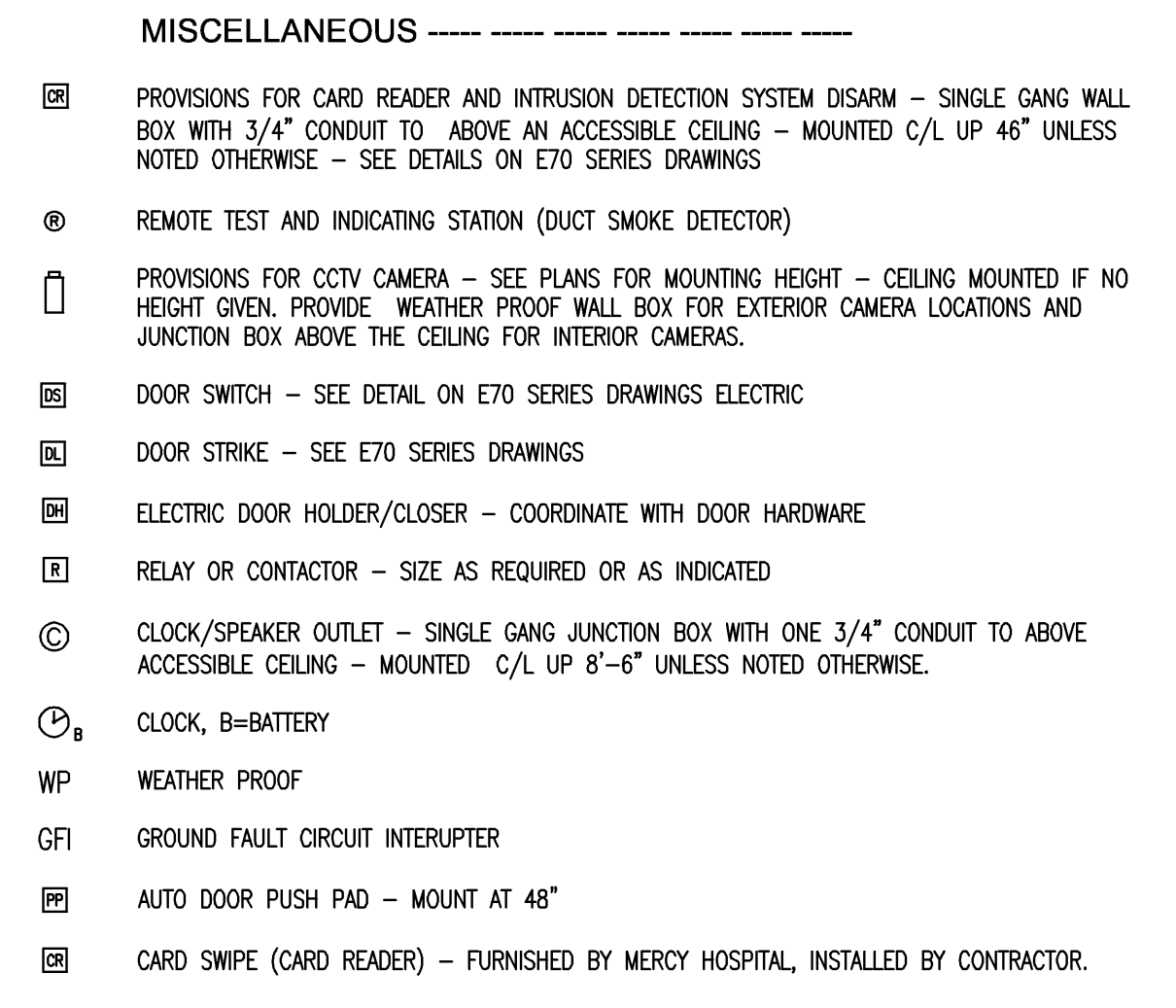
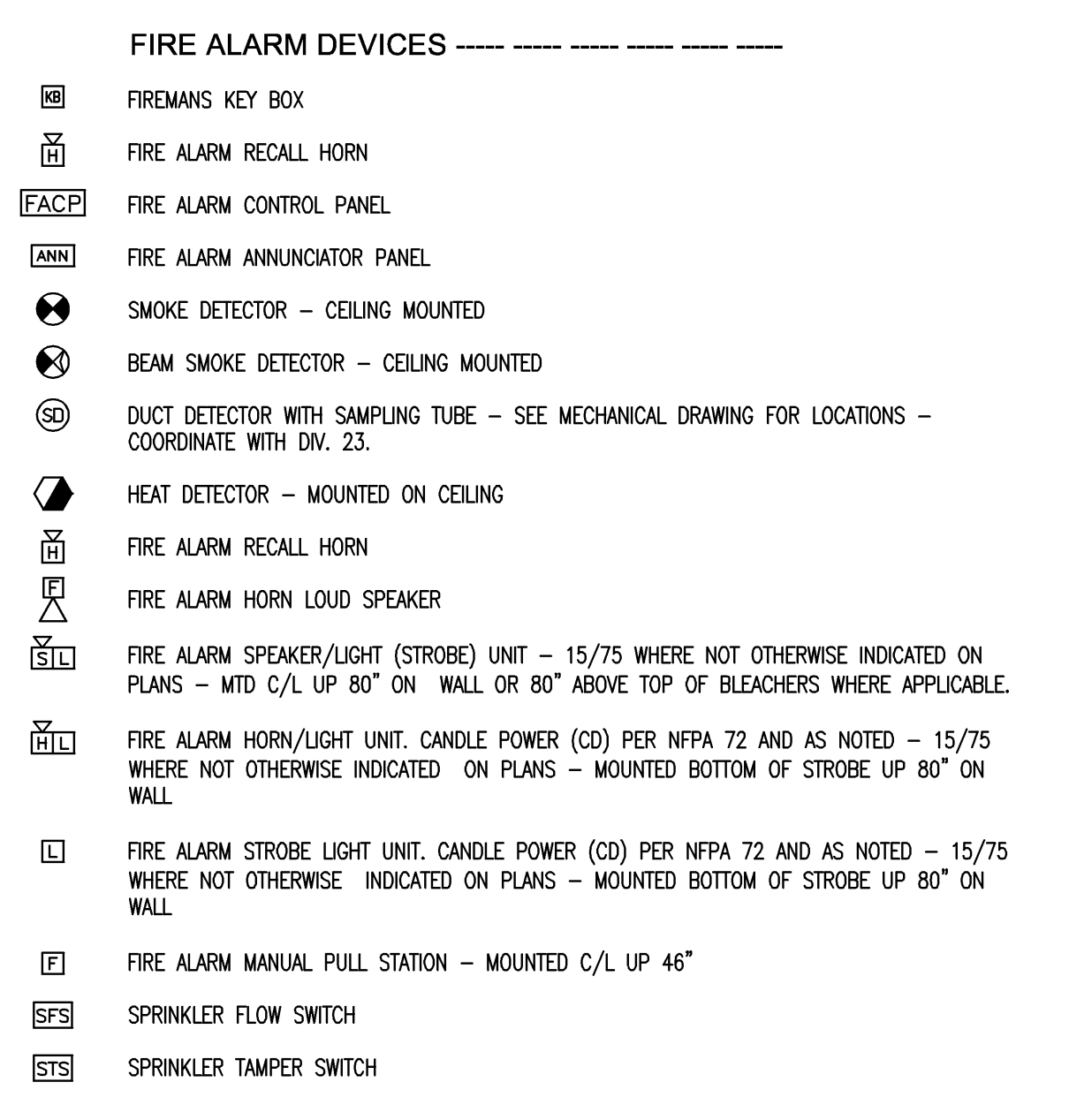
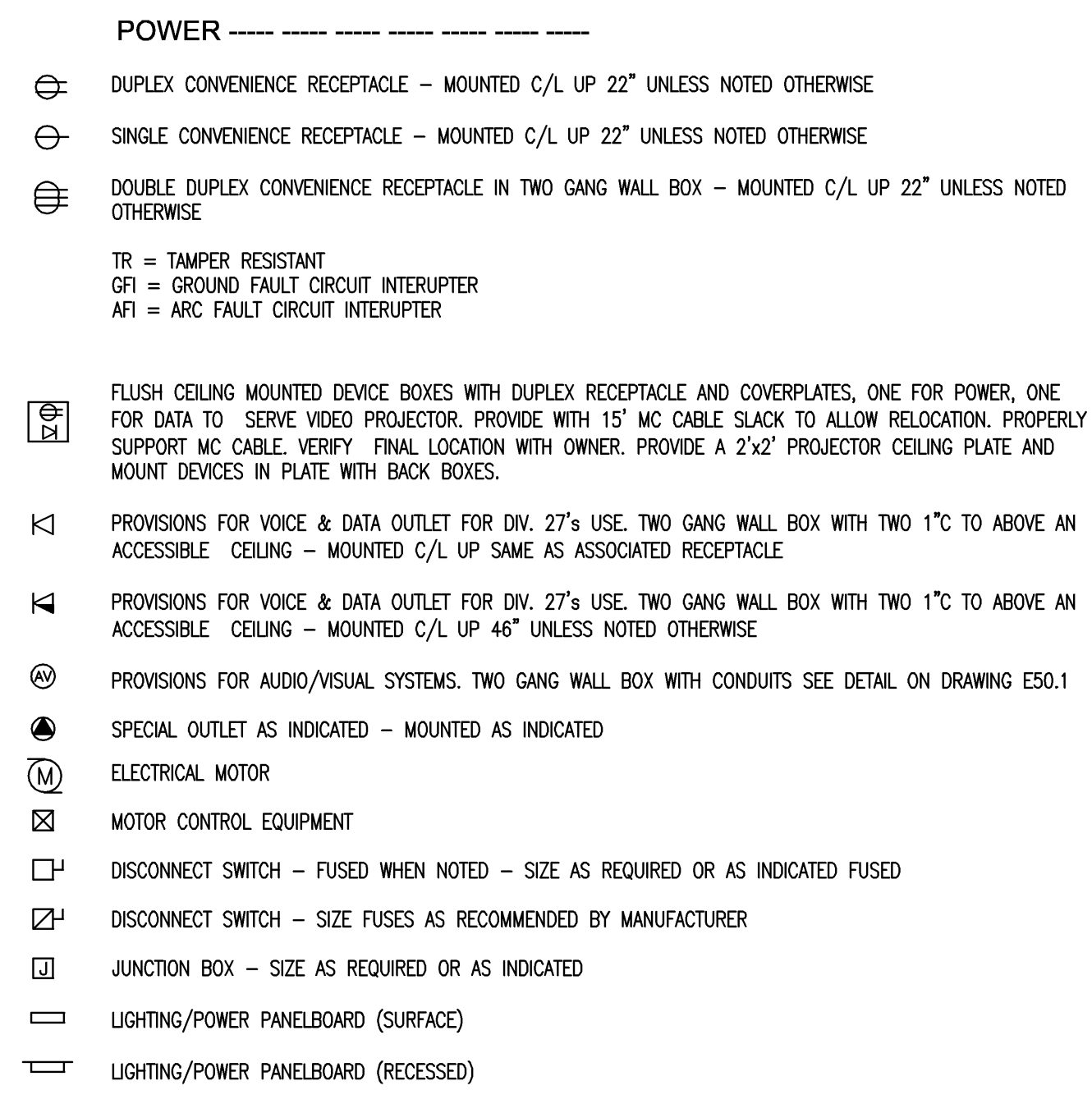
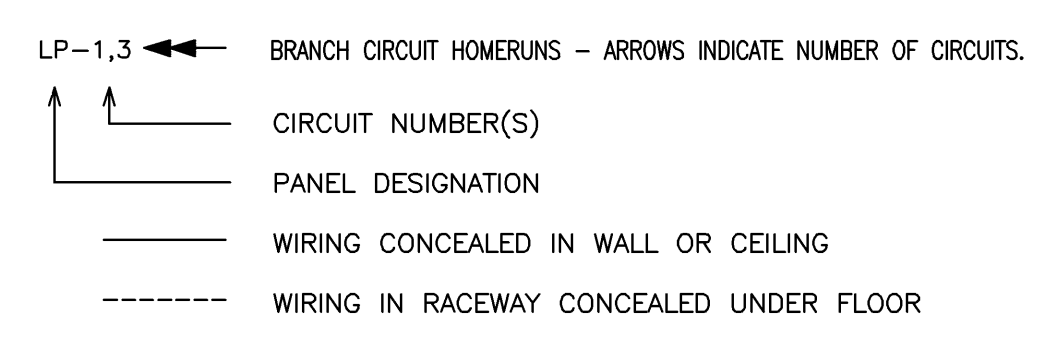
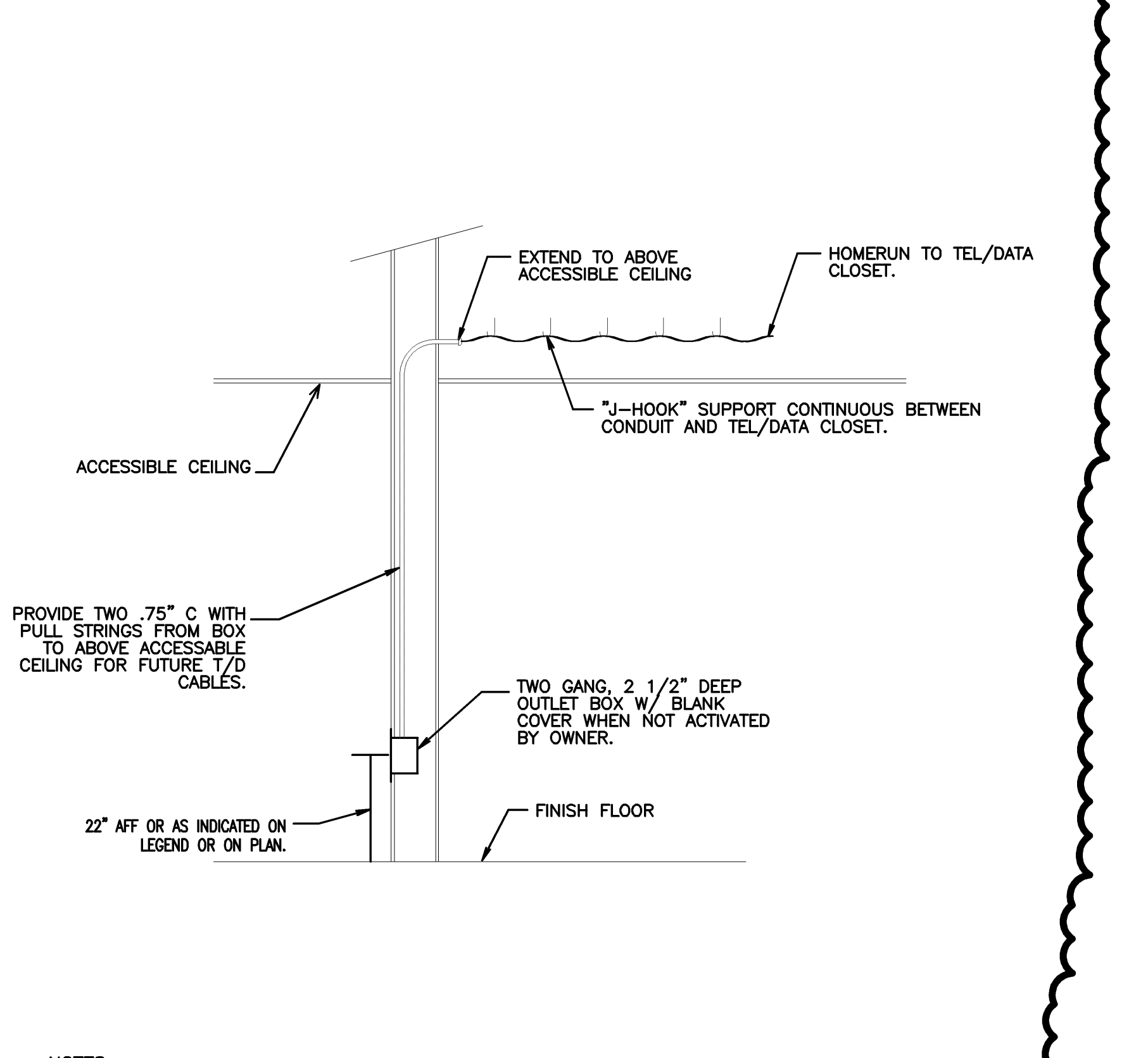


Mark	Date	Description
	07/08/08	ADDENDUM #1
	07/01/08	ISSUED FOR PERMIT
	06/26/08	100% REVIEW SET
	06/17/08	50% REVIEW SET
Issue Dates		

LEGEND



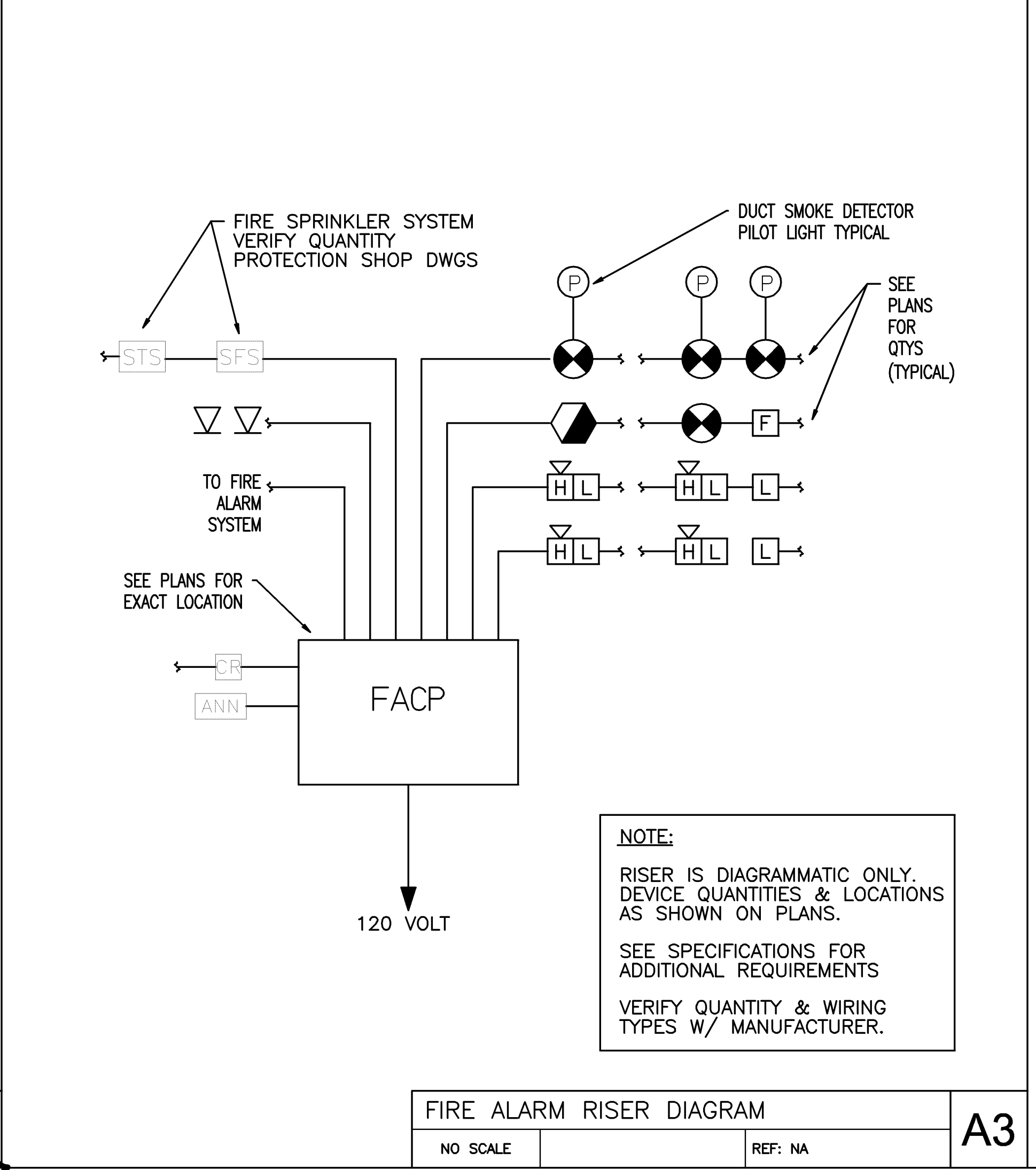
TEL/DATA BACKBOARD - TYPICAL
SCALE: NONE REF: NA



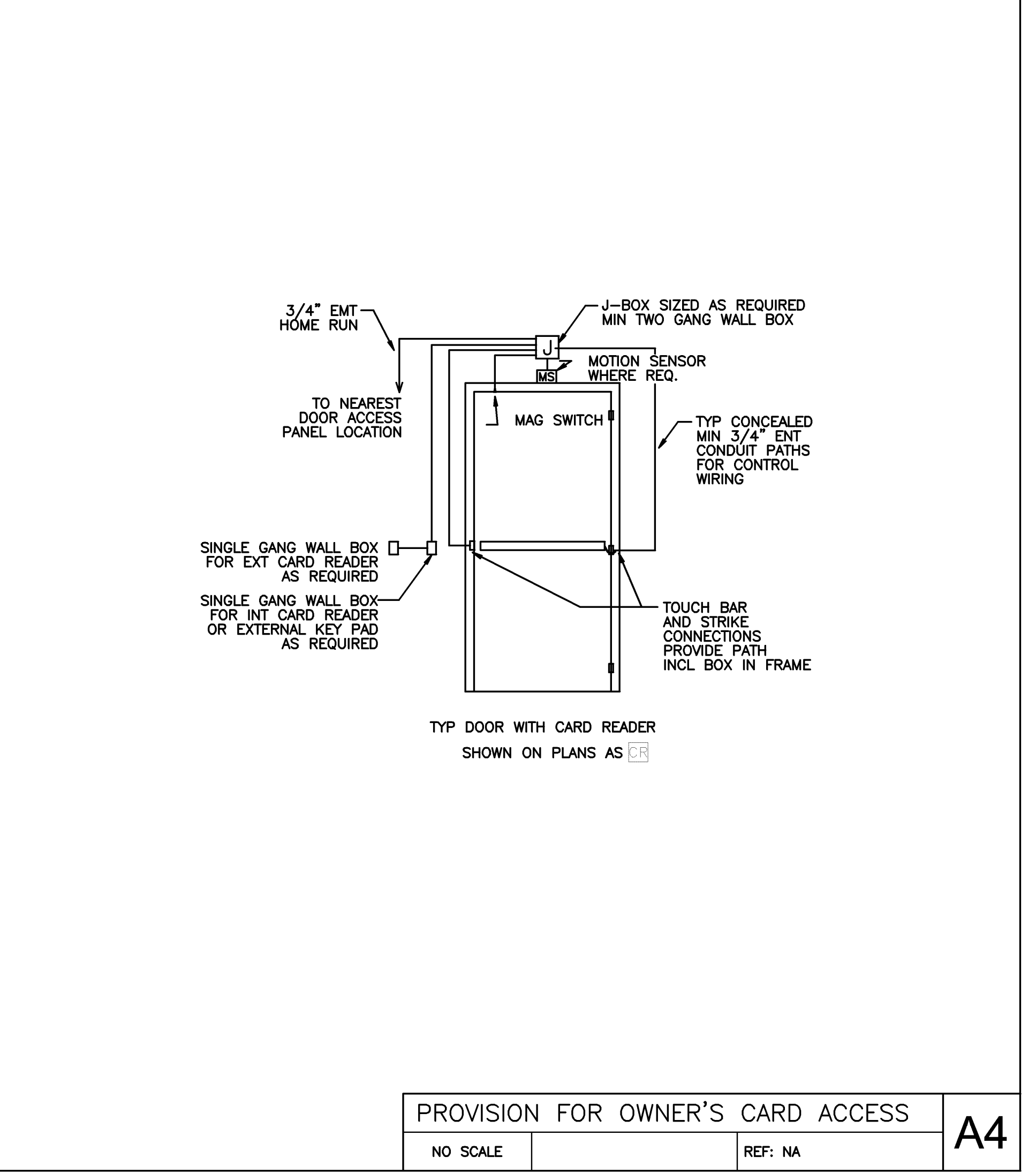
NOTES:

- TEL/DATA OUTLET BOX AND "J-HOOKS" TO BE PROVIDED BY ELECTRICAL CONTRACTOR FOR USE BY THE TEL/DATA CONTRACTOR.
- CABLE BUNDLES SHALL BE LIMITED TO A MAXIMUM OF 12 CABLES PER BUNDLE.

TYPICAL PROVISIONS FOR VOICE/DATA
SCALE: NONE REF: NA



FIRE ALARM RISER DIAGRAM
NO SCALE REF: NA



PROVISION FOR OWNER'S CARD ACCESS
NO SCALE REF: NA