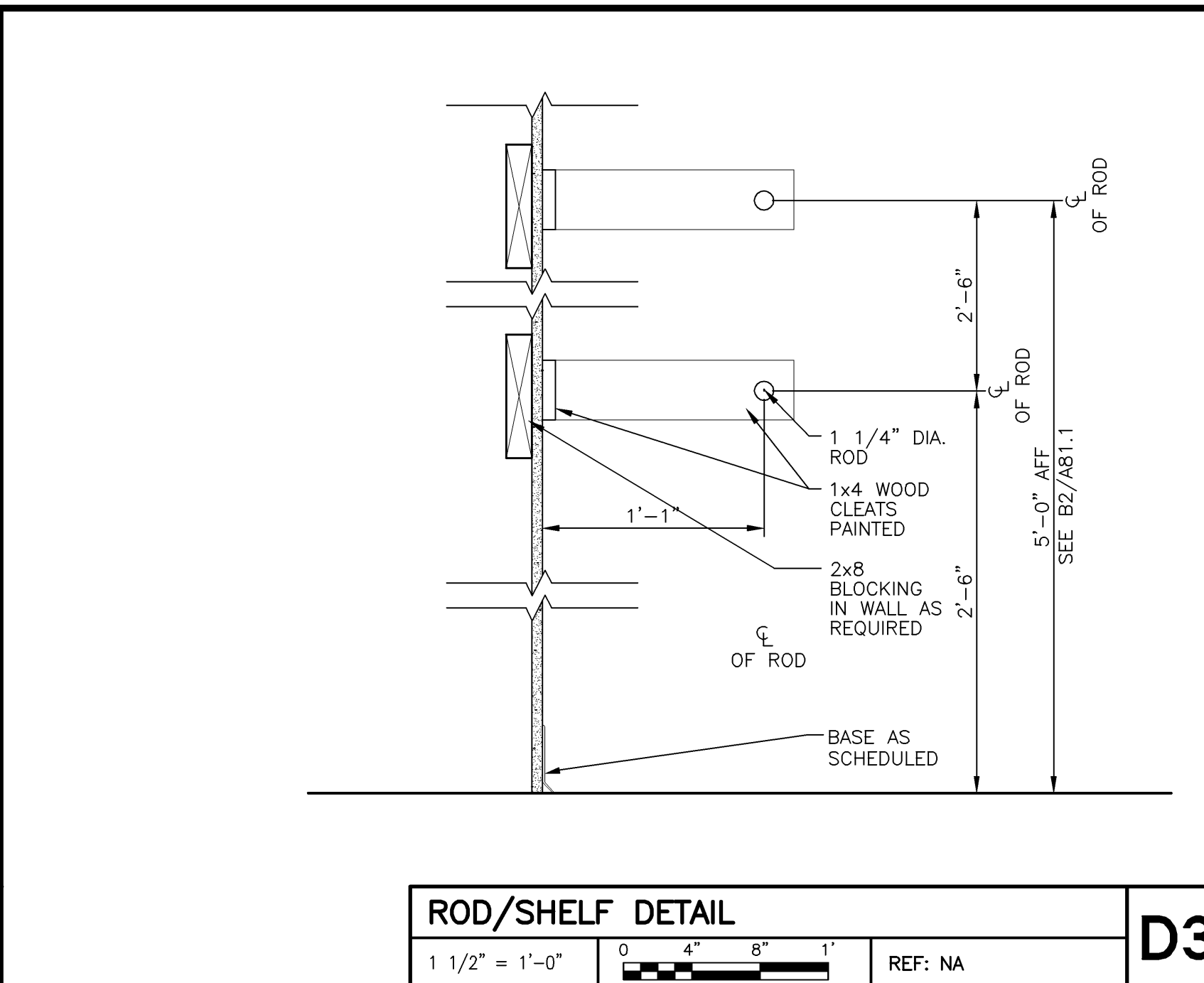
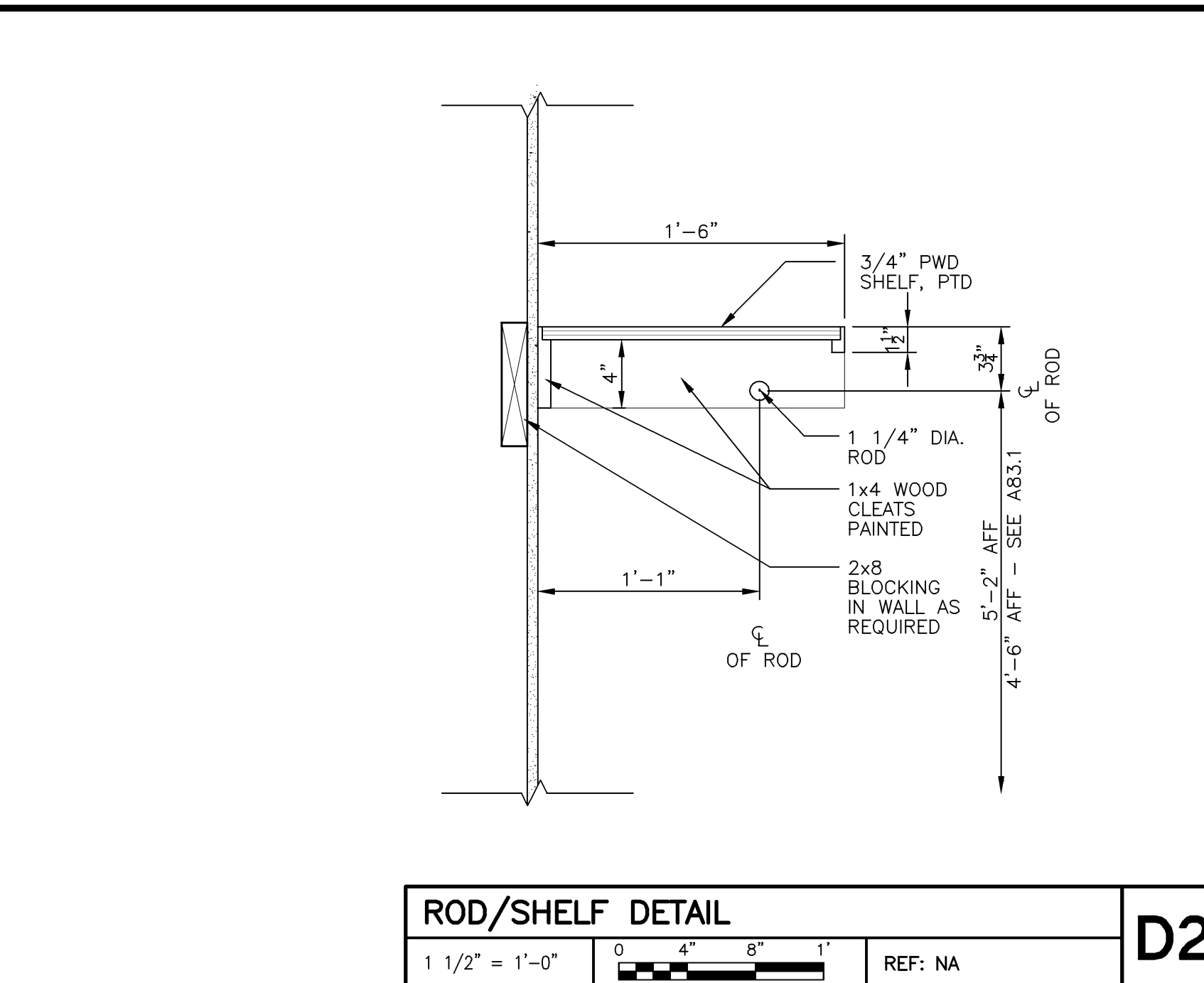


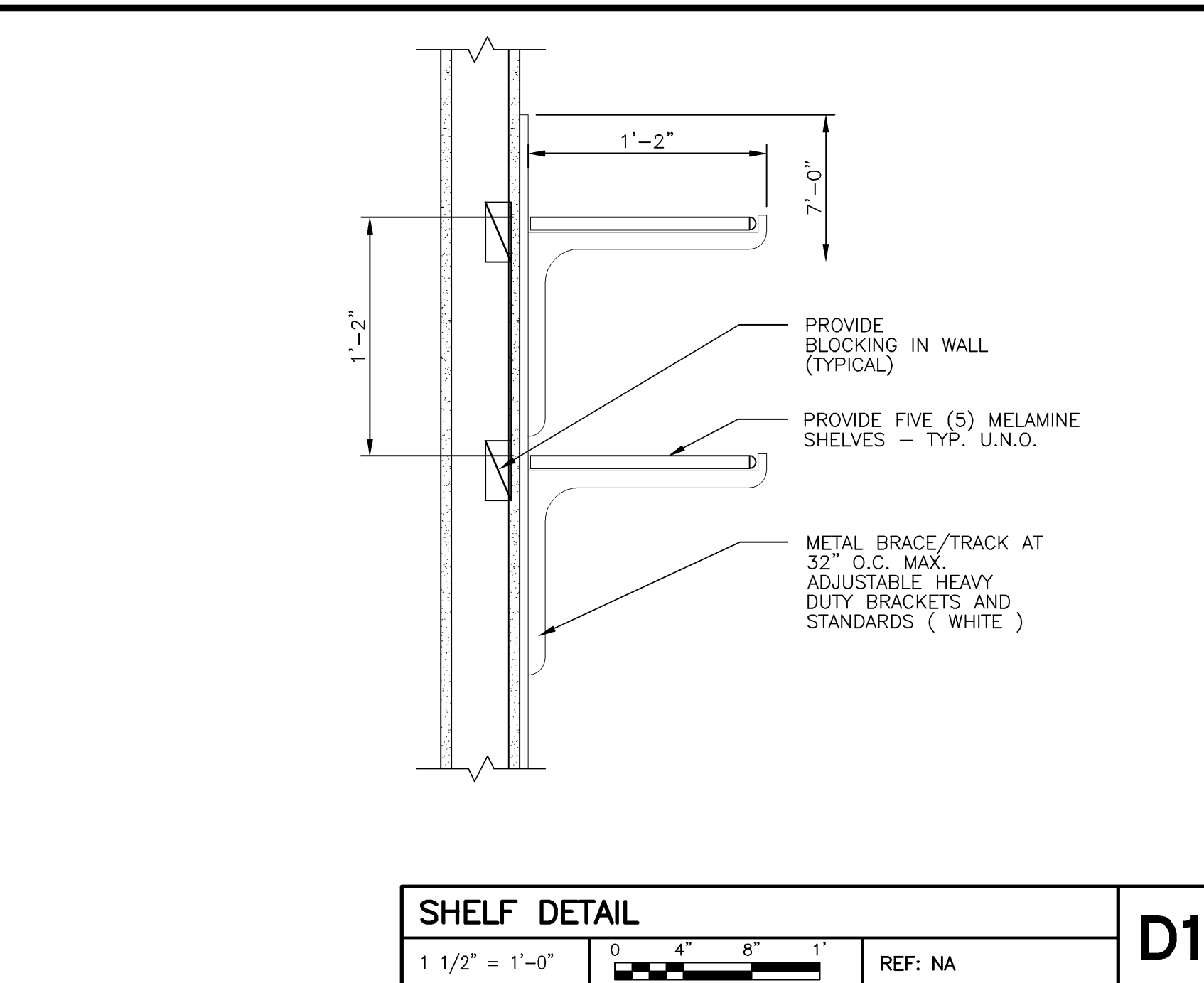
MICROWAVE SHELF DETAIL
 1 1/2" = 1'-0" REF: NA **D4**



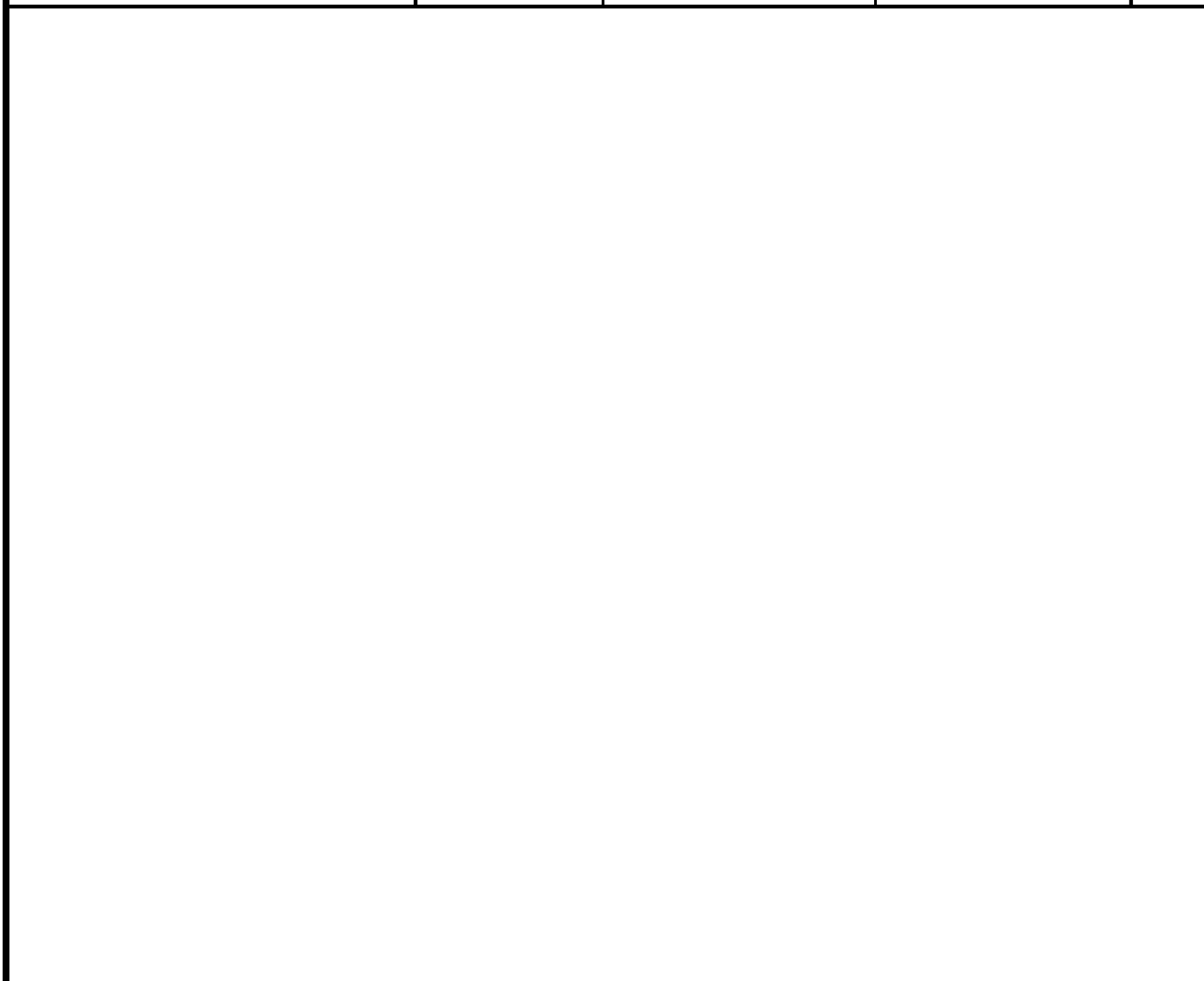
ROD/SHELF DETAIL
 1 1/2" = 1'-0" REF: NA **D3**



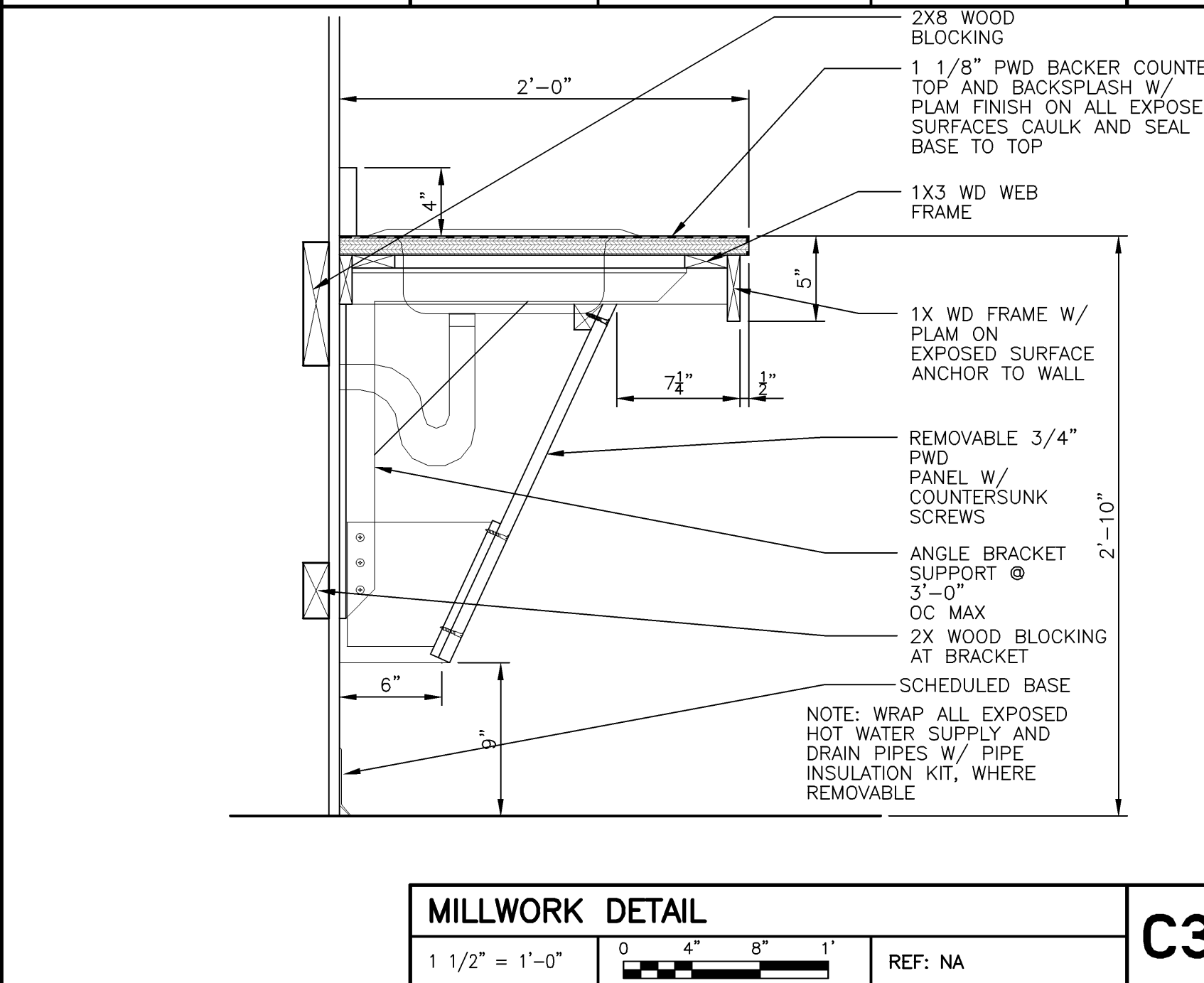
ROD/SHELF DETAIL
 1 1/2" = 1'-0" REF: NA **D2**



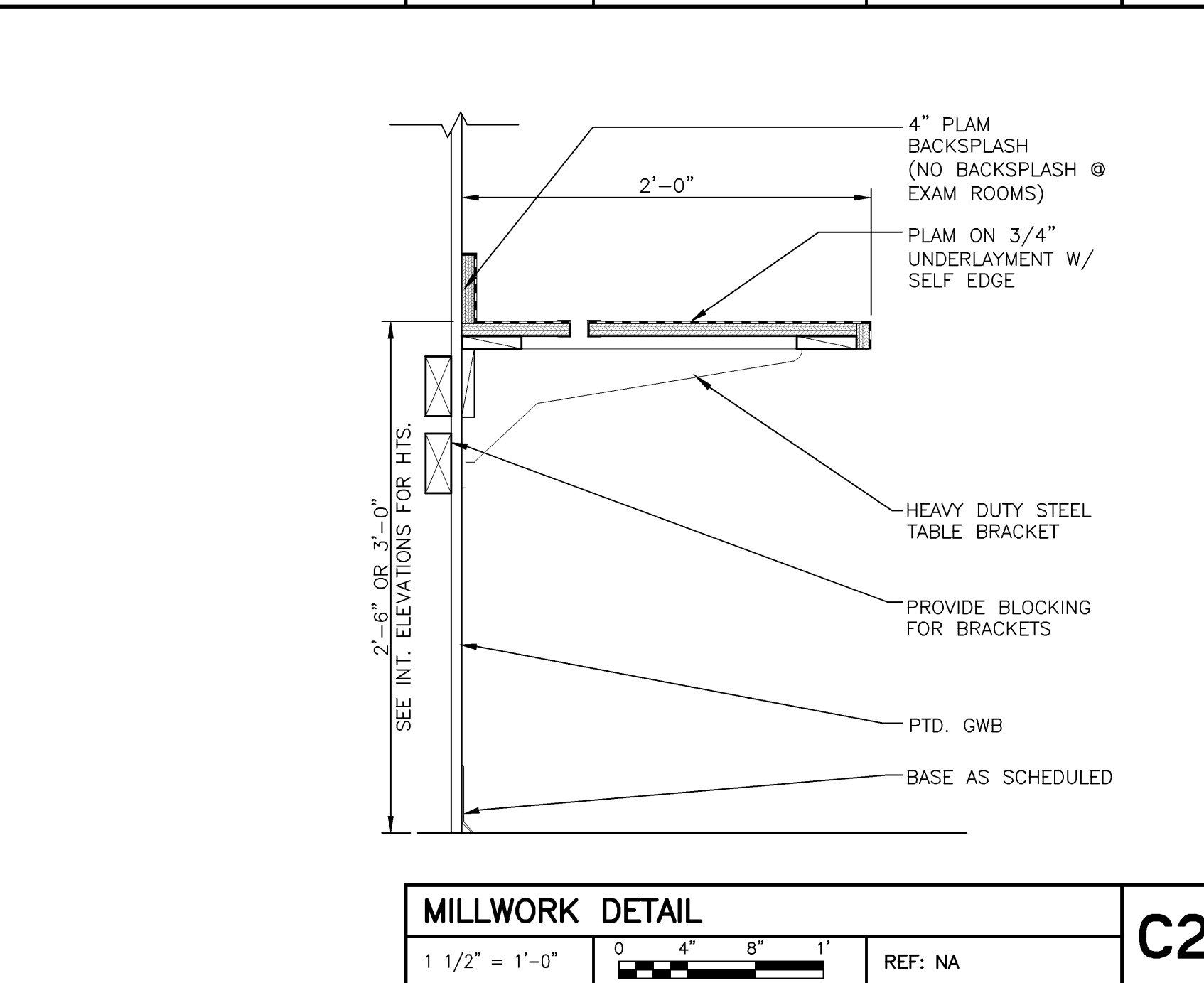
SHELF DETAIL
 1 1/2" = 1'-0" REF: NA **D1**



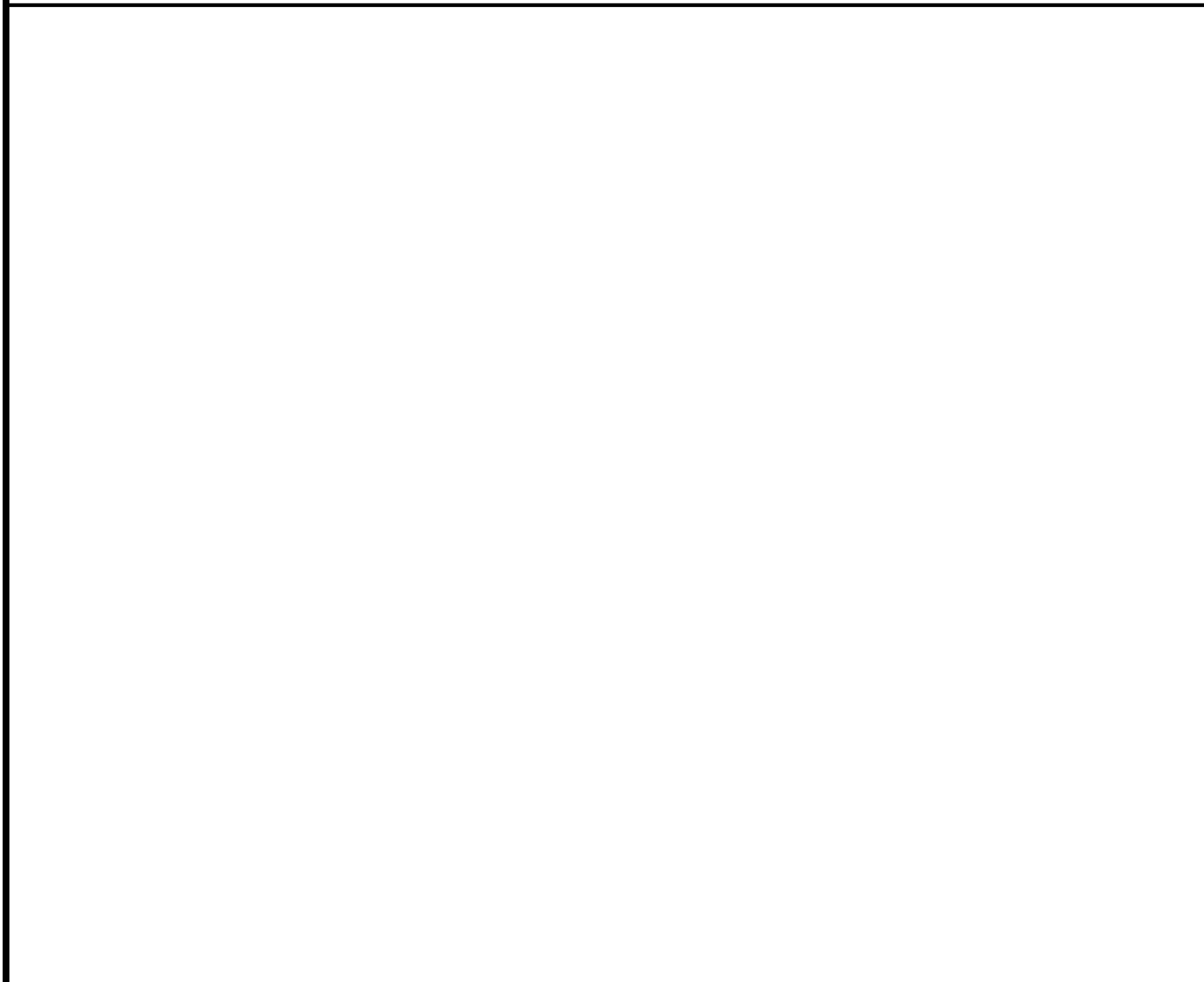
MILLWORK DETAIL
 1 1/2" = 1'-0" REF: NA **C3**



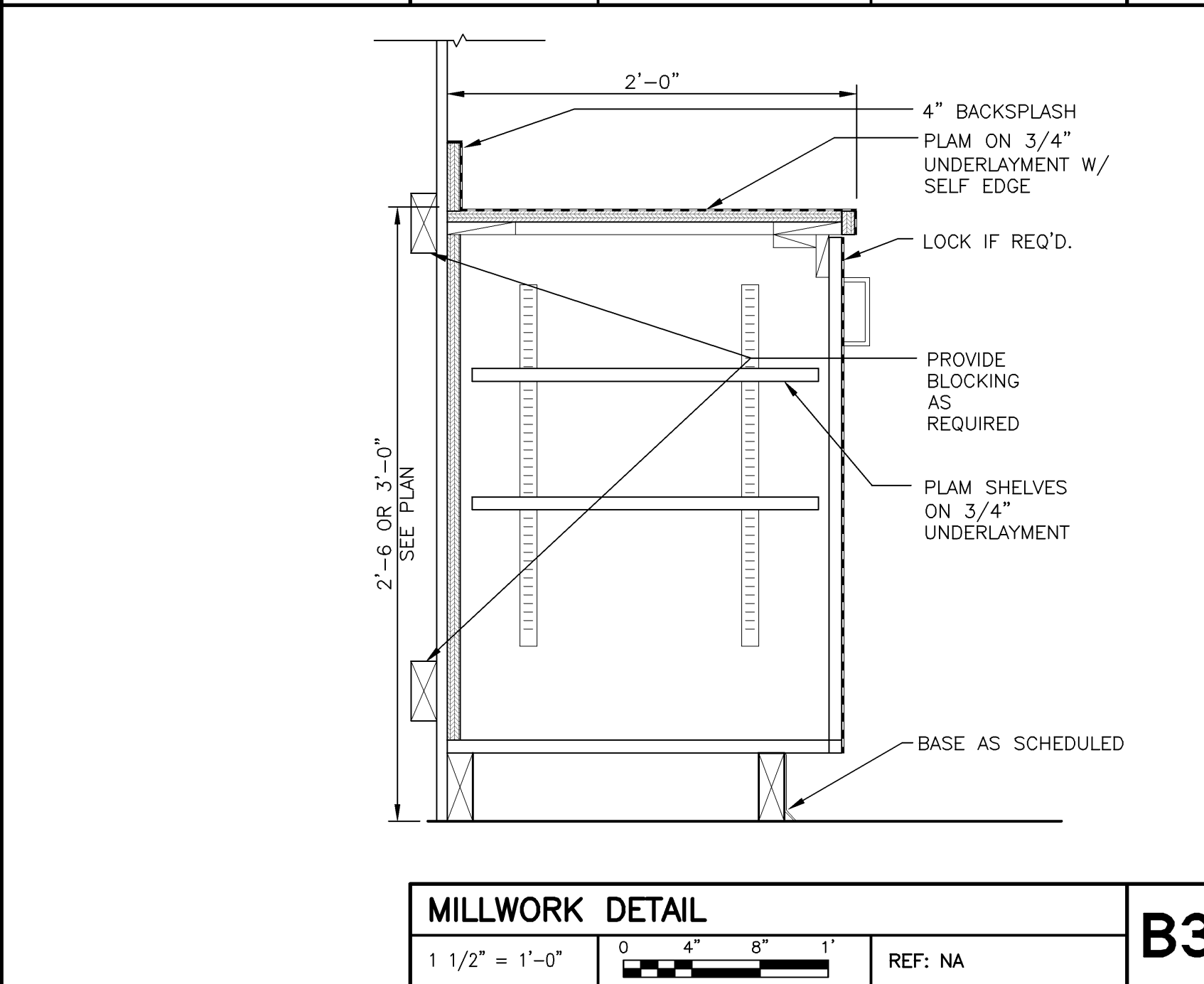
MILLWORK DETAIL
 1 1/2" = 1'-0" REF: NA **C2**



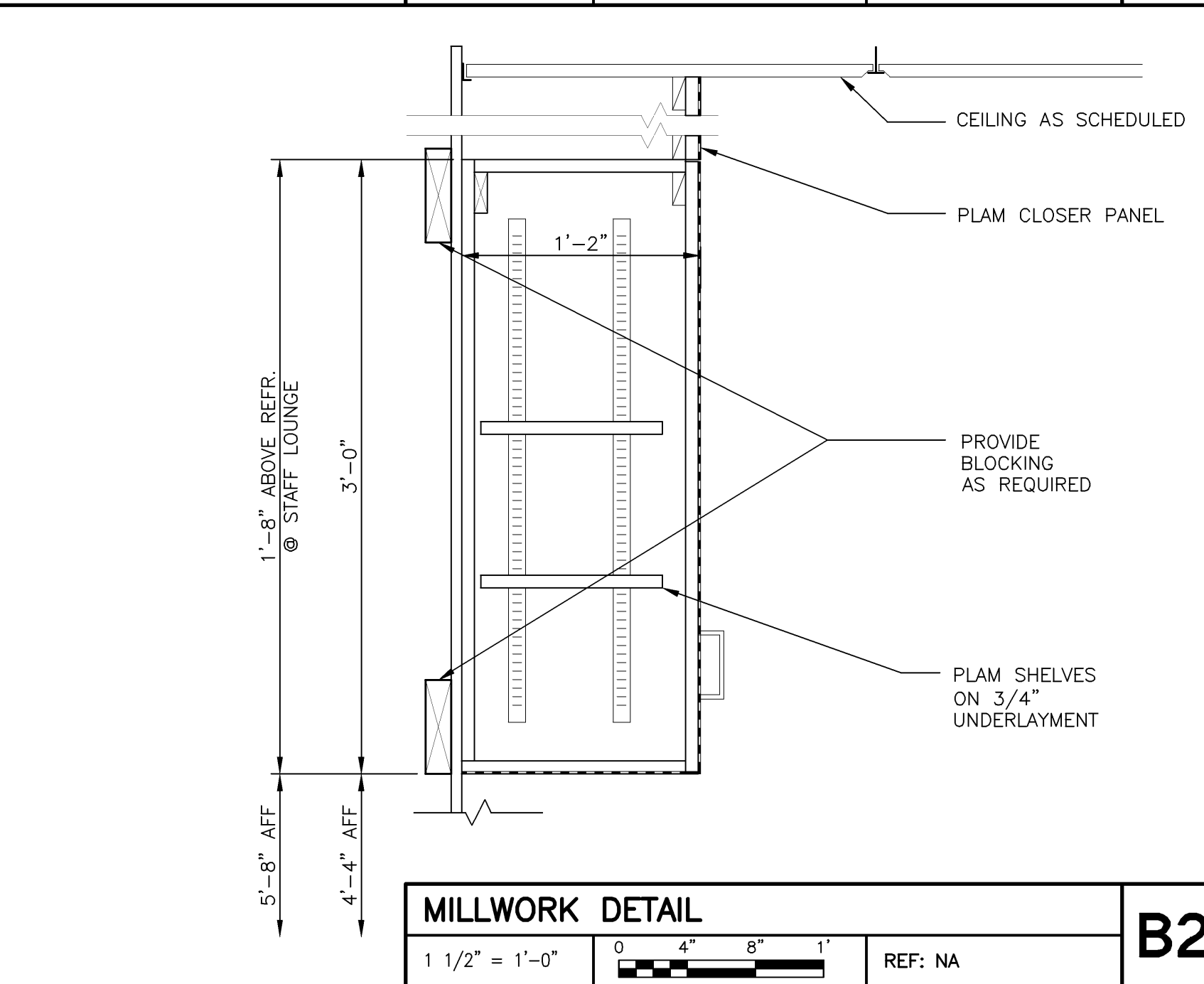
MILLWORK DETAIL
 1 1/2" = 1'-0" REF: NA **C1**



MILLWORK DETAIL
 1 1/2" = 1'-0" REF: NA **B3**



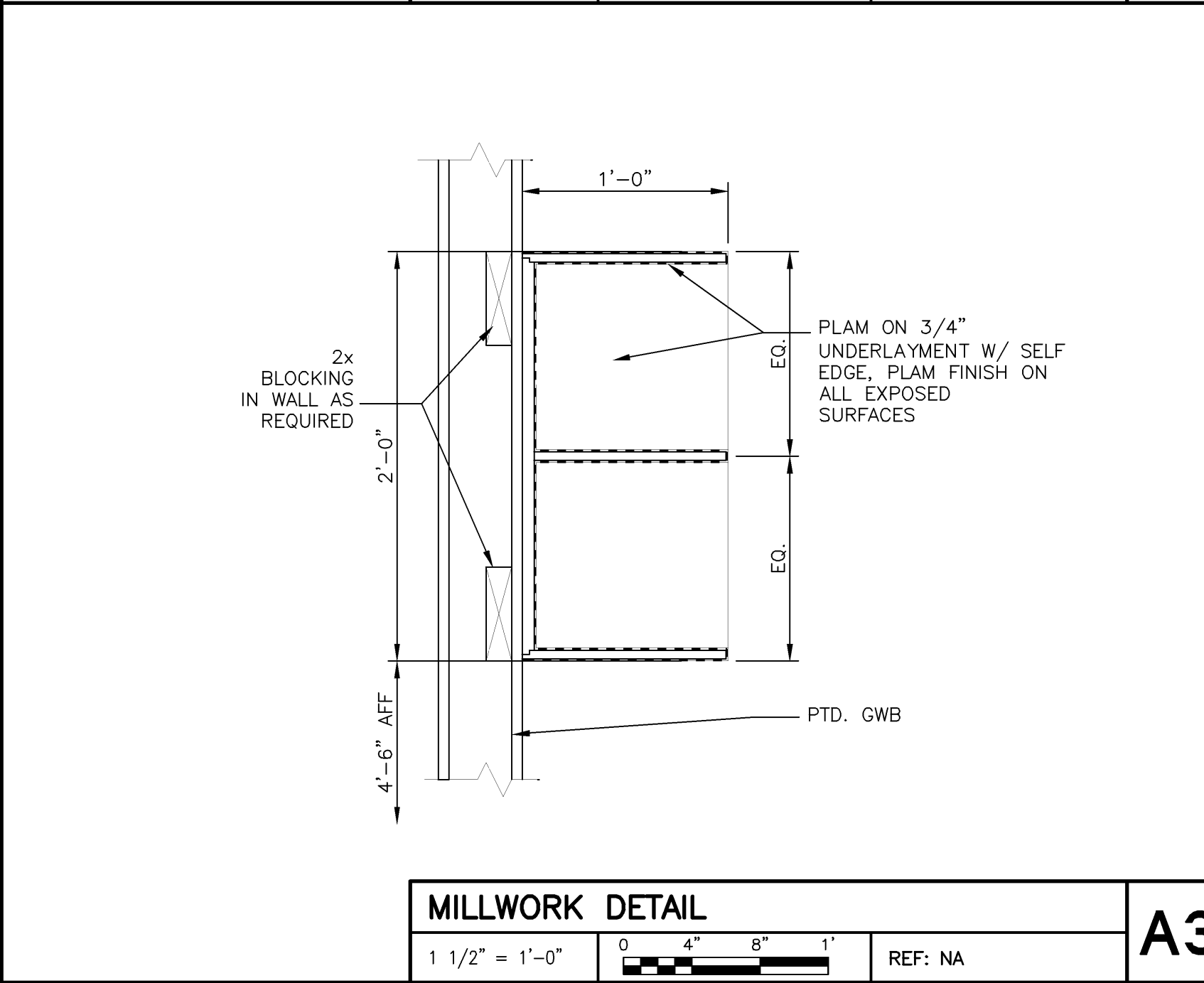
MILLWORK DETAIL
 1 1/2" = 1'-0" REF: NA **B2**



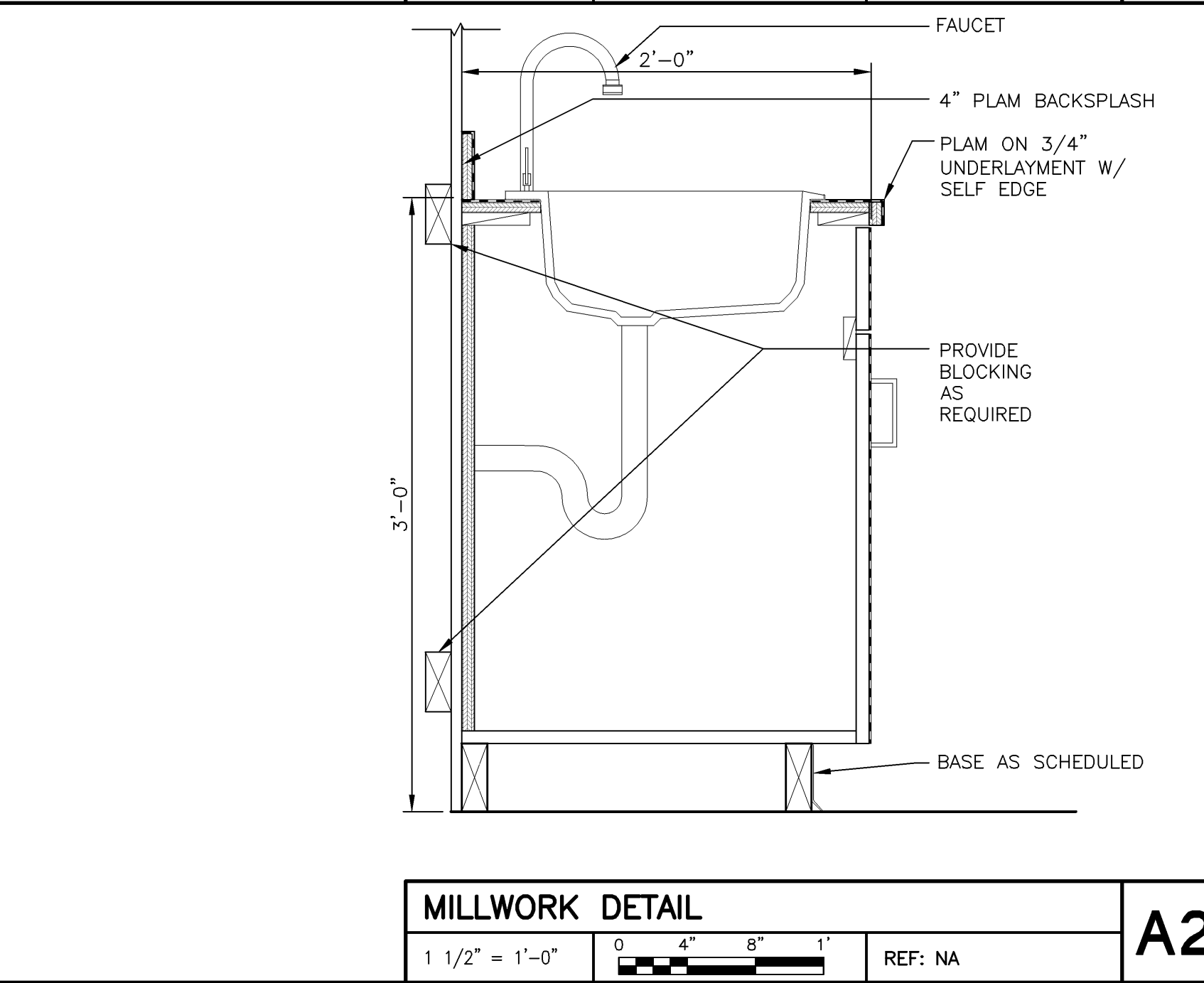
MILLWORK DETAIL
 1 1/2" = 1'-0" REF: NA **B1**



MILLWORK DETAIL
 1 1/2" = 1'-0" REF: NA **A3**



MILLWORK DETAIL
 1 1/2" = 1'-0" REF: NA **A2**



MILLWORK DETAIL
 1 1/2" = 1'-0" REF: NA **A1**



Project Title
MERCY HEALTH CENTER WESTGATE PLAZA
 PORTLAND, MAINE

HA Project No. **07182**

Key Plan

Mark	Date	Description
	07/01/08	ISSUED FOR PERMIT
	06/26/08	100% REVIEW SET
	06/17/08	50% REVIEW SET

Drawing Status

Drawing Title
MILLWORK DETAILS

PA / PE: PSC Drawn By: JGJ

Drawing Number
A83.1