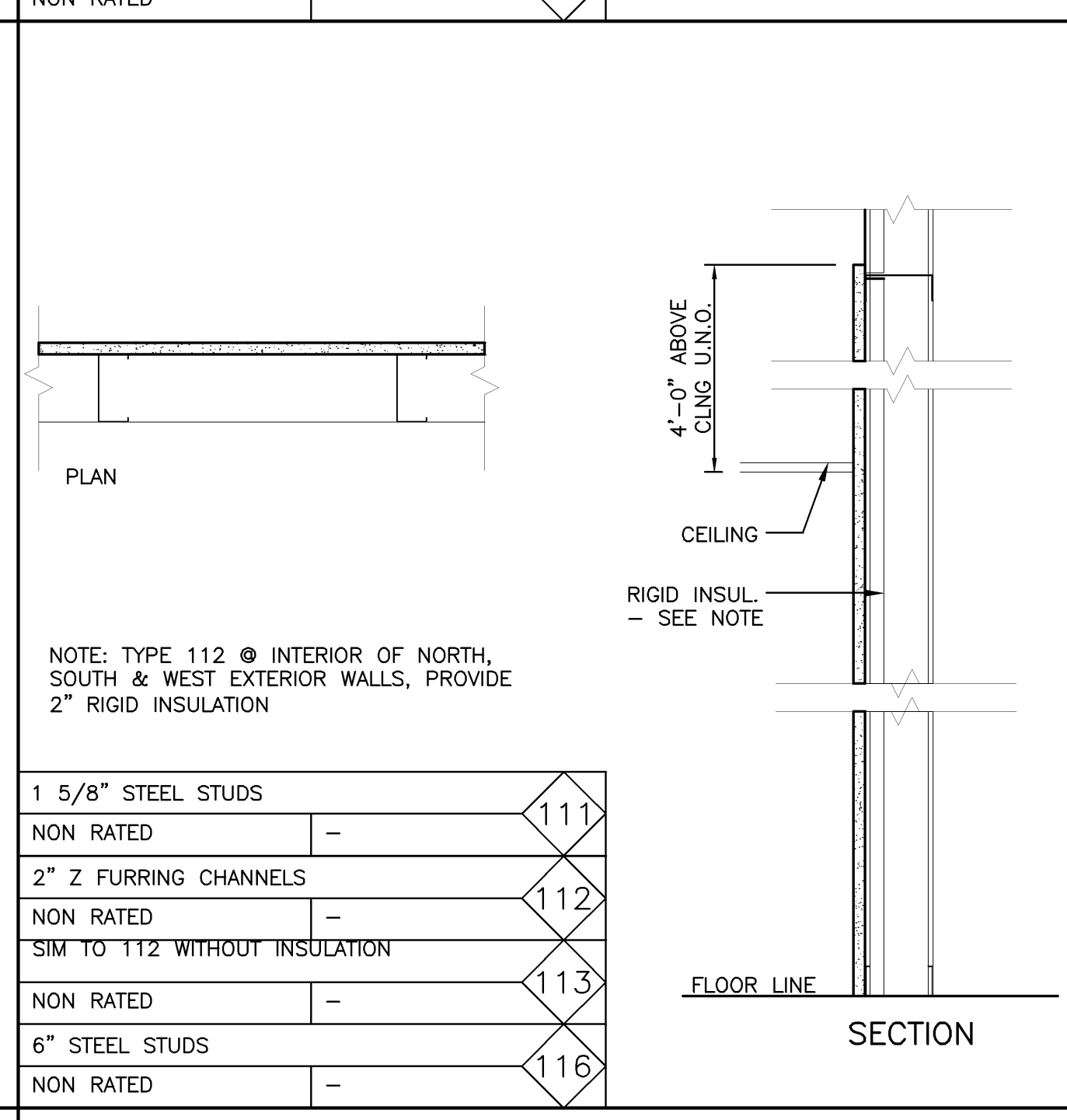
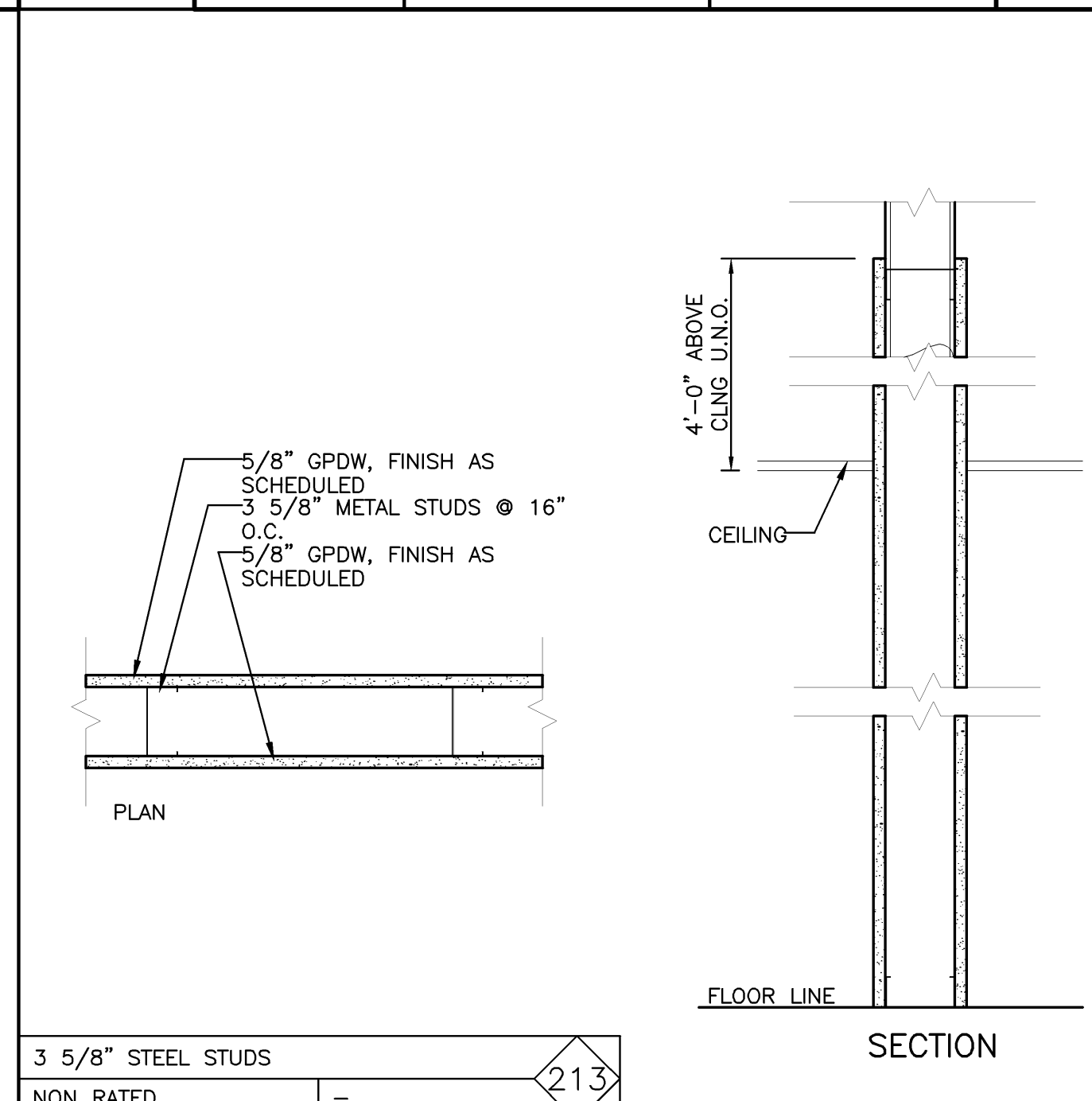
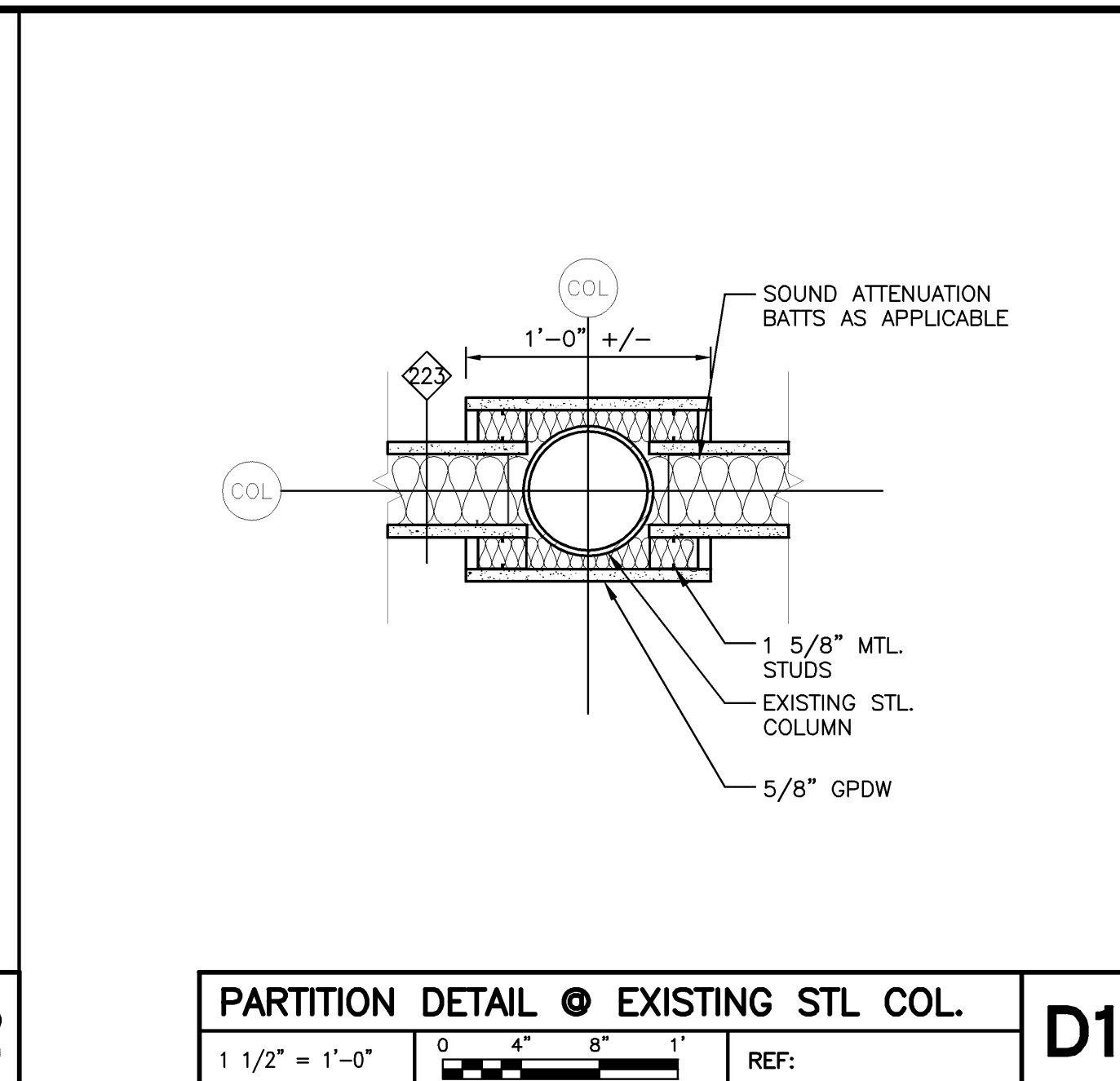


Mark	Date	Description
07/08/08		ADDENDUM
07/01/08		ISSUED FOR PERMIT
06/26/08		100% REVIEW SET
Issue Dates		

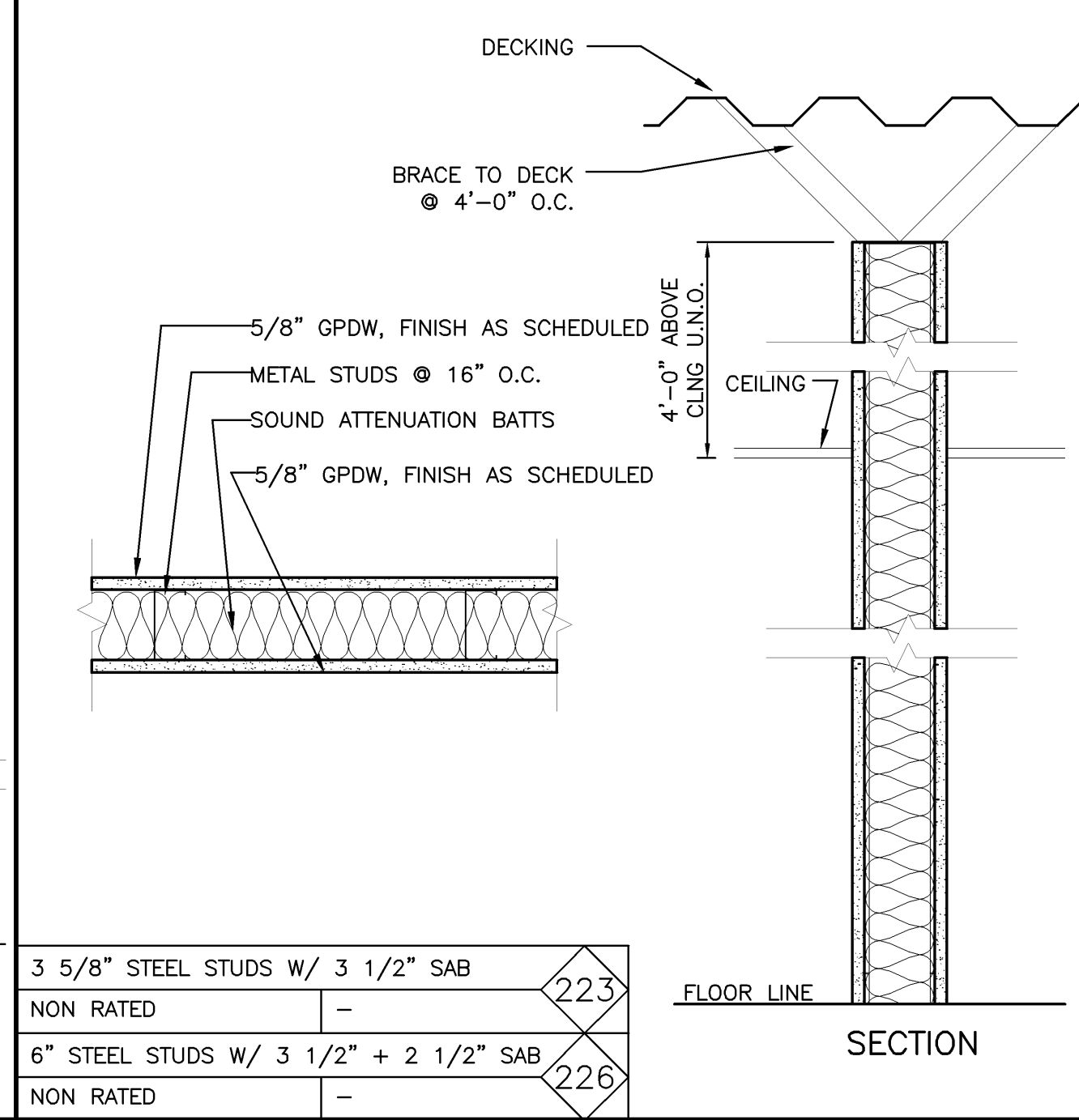
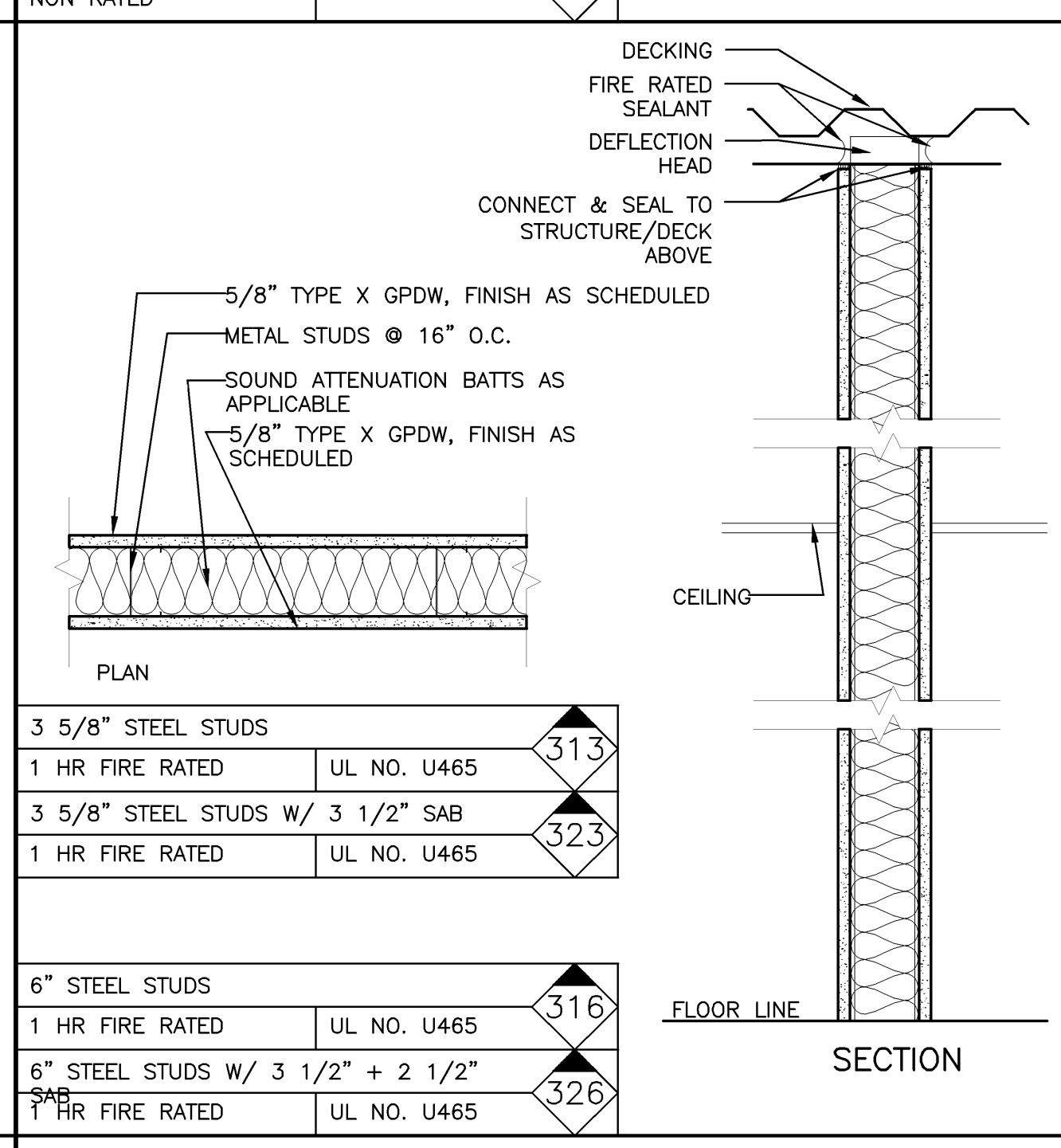
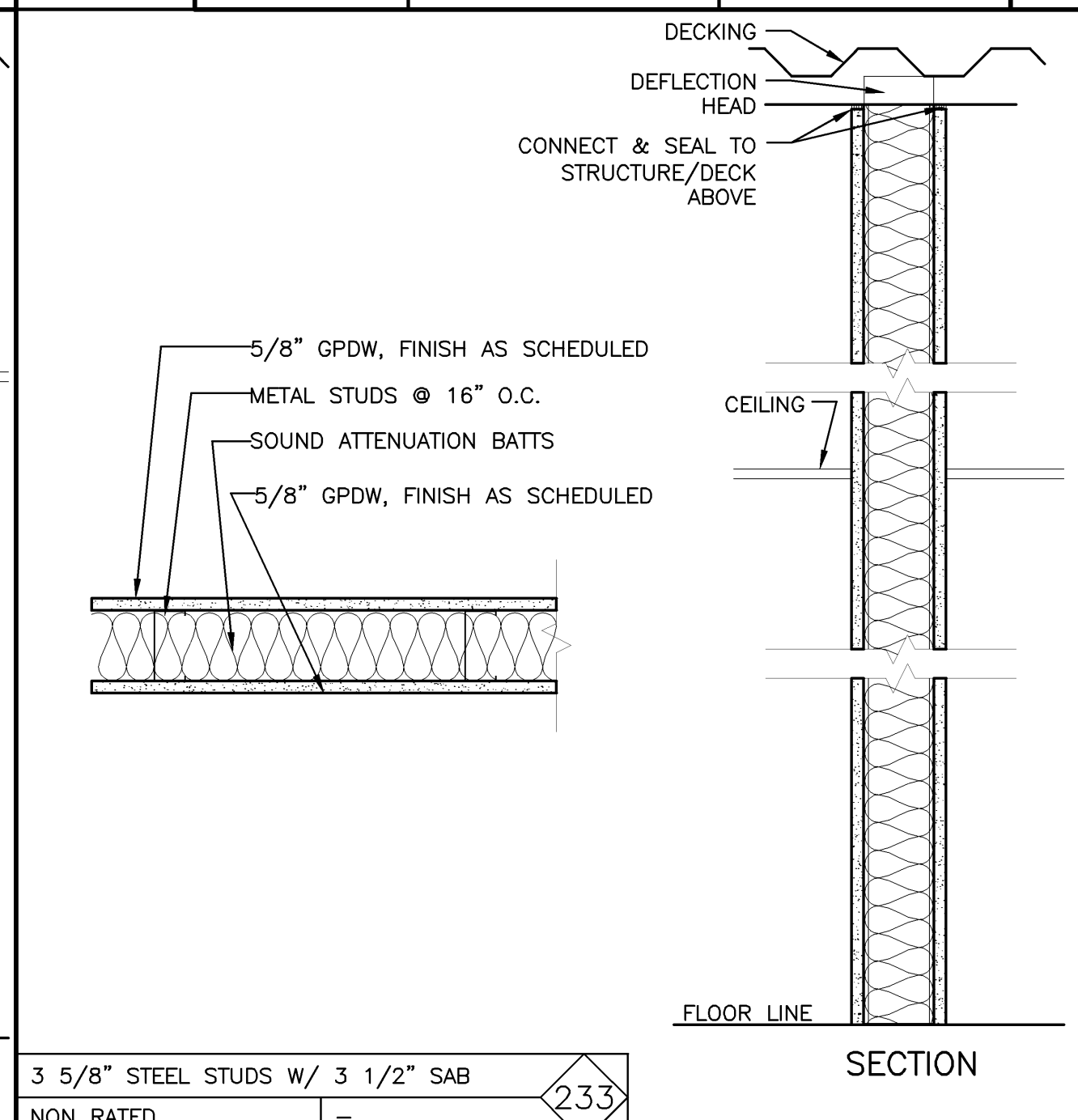
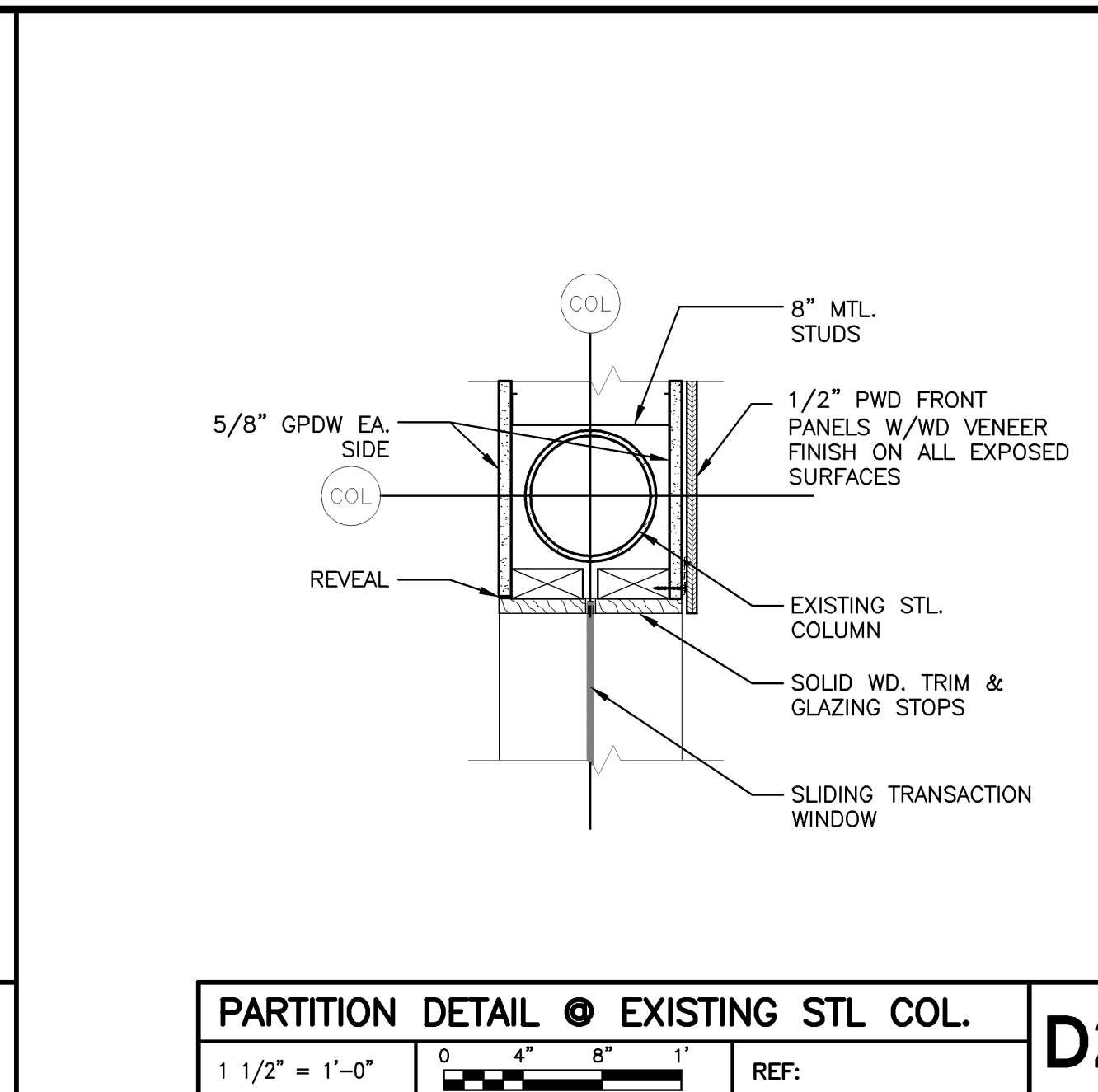
Drawing Status



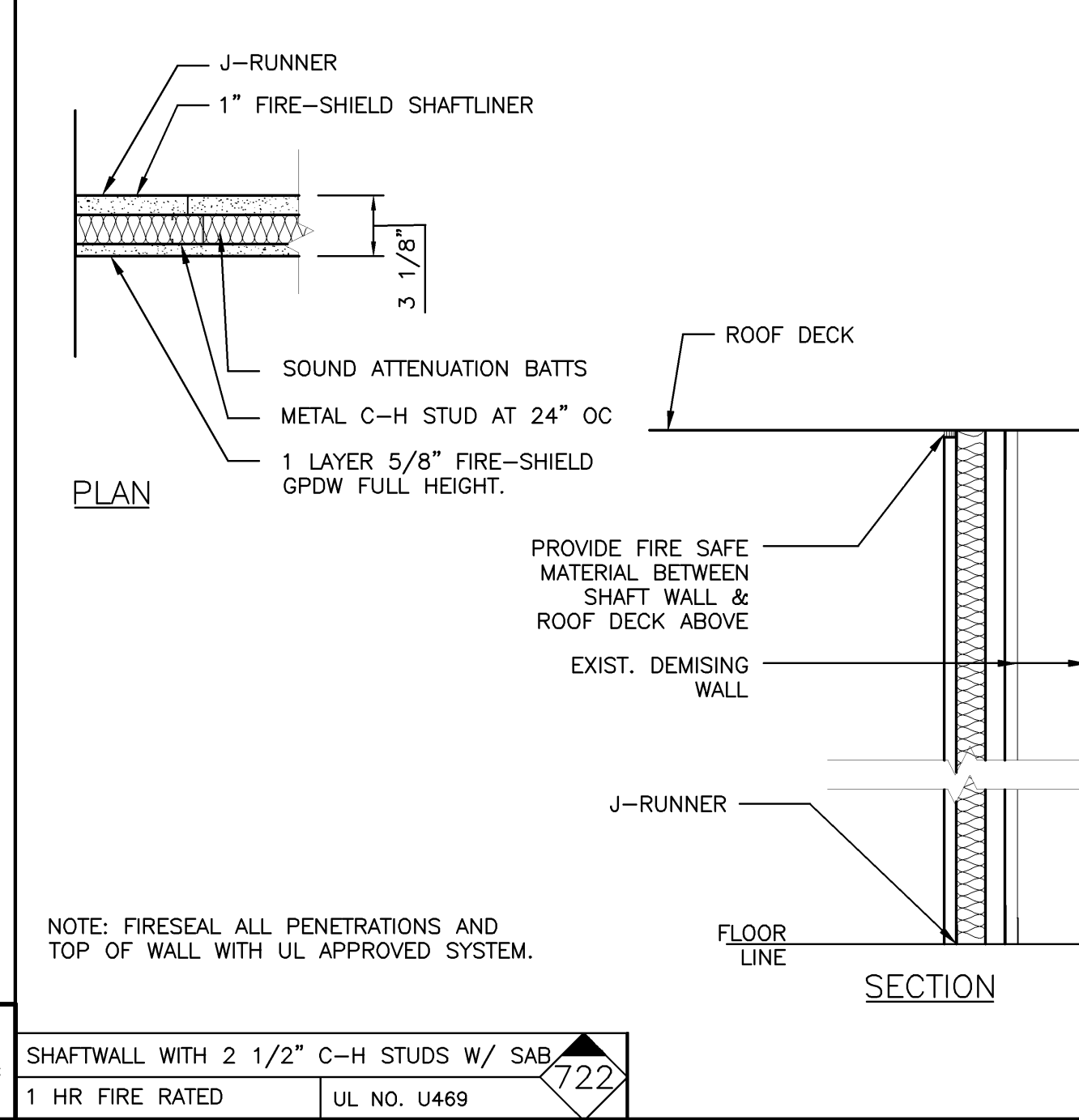
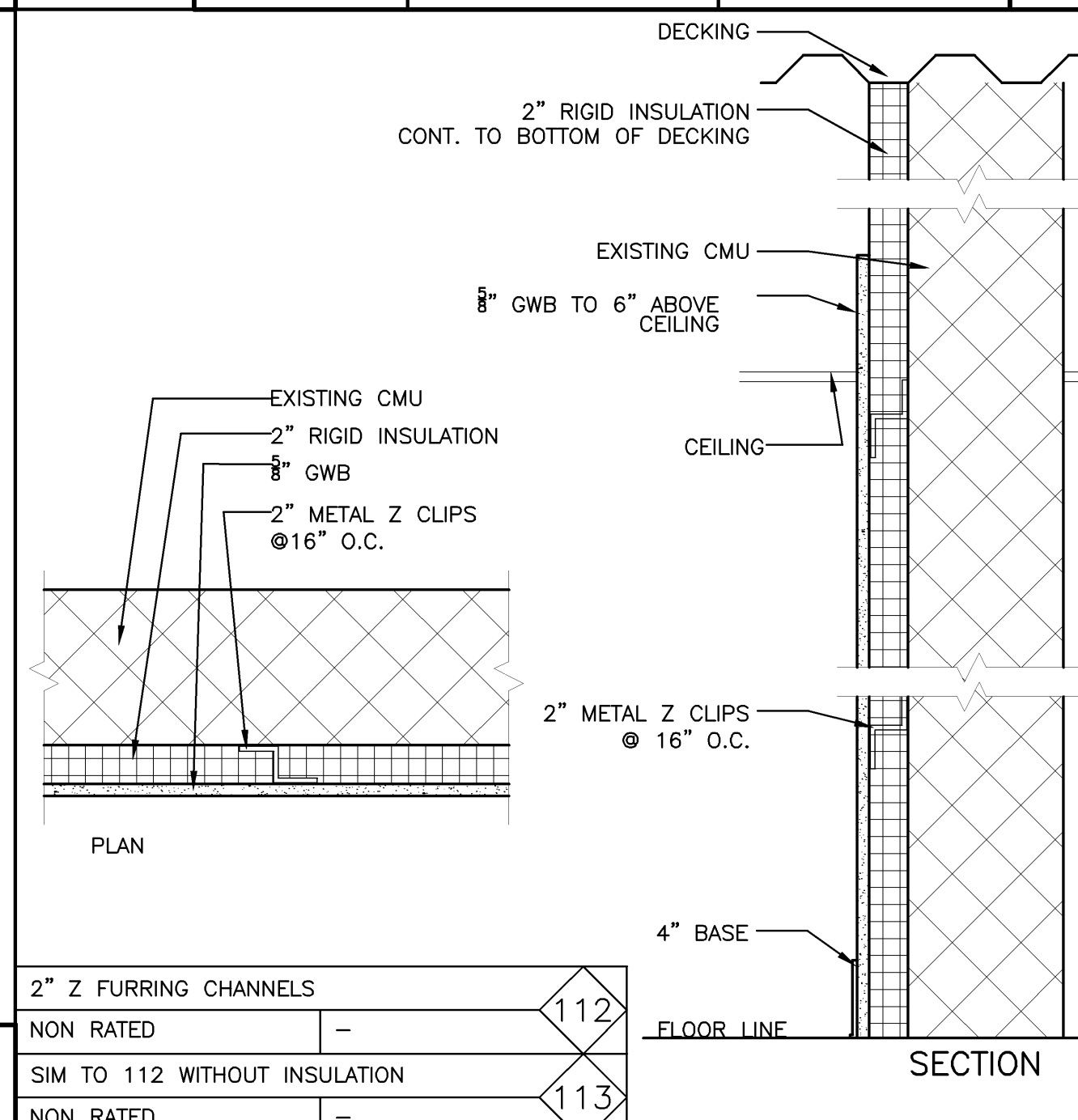
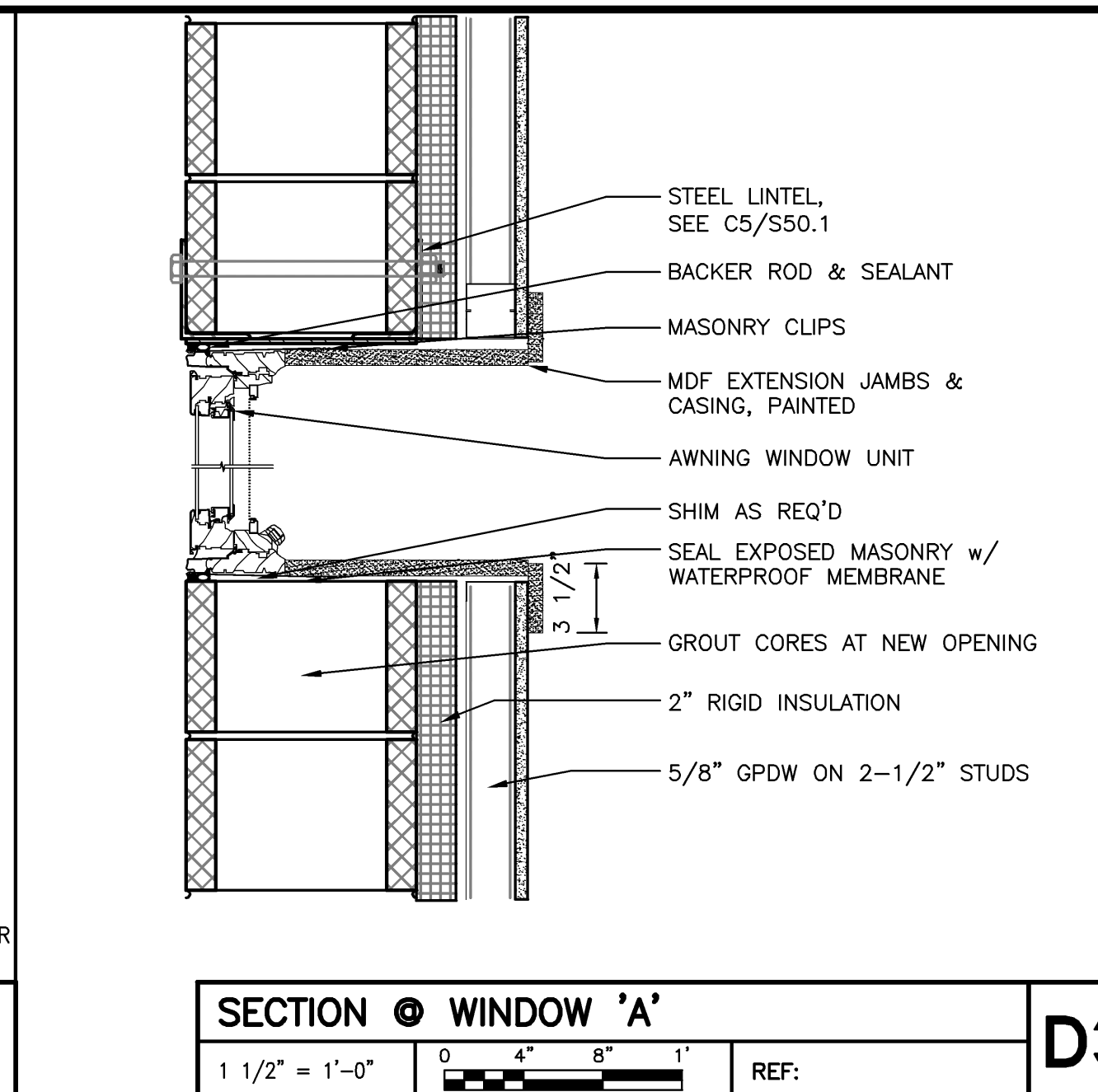
GENERAL NOTES

- SEE DETAILS D3 & D4 ON A40.1 FOR TYPICAL TOP OF WALL PARTITION CONNECTION DETAIL.
- SEE WALL SECTION AND DETAIL SHEETS FOR CONNECTIONS/DETAILS OTHER THAN SHOWN.
- PROVIDE 3/8" MR GWB IN TOILET ROOMS, TYP. PROVIDE REGULAR GWB FROM 8" ABOVE TOILET ROOM CEILING TO TOP OF PARTITION.
- ALL FIRE RATED PARTITIONS SHALL BE STENCILED ON WALL SURFACE ABOVE THE CEILING LINE INDICATING RATING IN RED OR ORANGE PAINT ON EACH SIDE OF PARTITION.
- EXTEND PARTITIONS TO UNDERSIDE OF FLOOR/ROOF DECK U.N.O., SEAL TO DECK FOR SMOKE AND SOUND CONTROL, FILL VOIDS BETWEEN.
- WHERE OCCURS, FRAME GWB AROUND BOTH SIDES OF BEAMS/JOISTS WHERE PARTITION INTERSECTS STRUCTURAL MEMBERS TO MAINTAIN CONTINUITY OF PARTITION TO UNDERSIDE OF DECK.
- CONTRACTOR IS RESPONSIBLE TO VERIFY FIELD CONDITIONS WHICH MAY VARY FROM TYPICAL DETAIL SHOWN ON DRAWINGS. CONTRACTOR TO MODIFY CLOSURE DETAILS TO MEET ACTUAL CONDITIONS AND TO MAINTAIN CONTINUITY OF PARTITION FROM FLOOR TO DECK/ROOF/CMU SIZE.

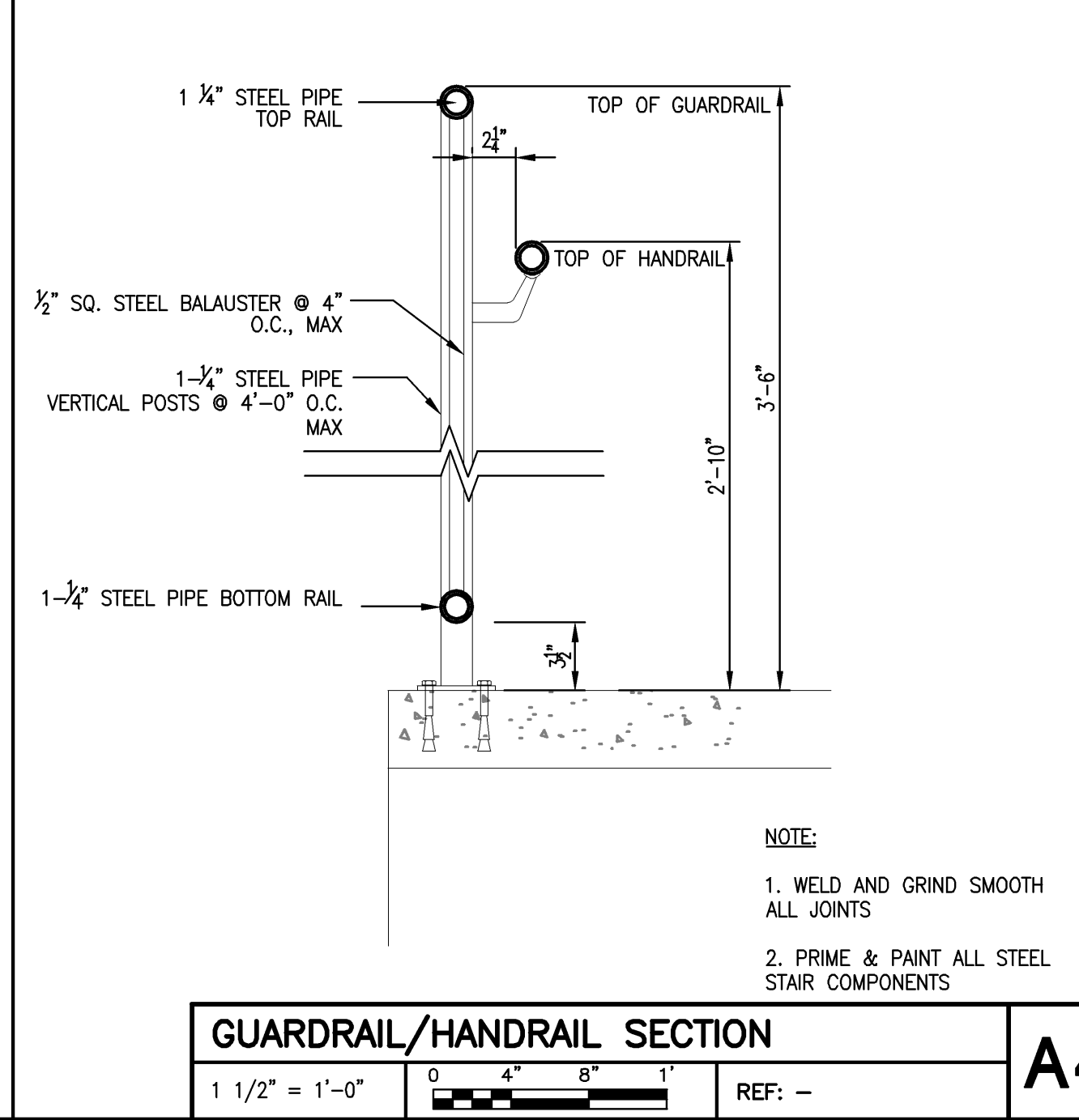
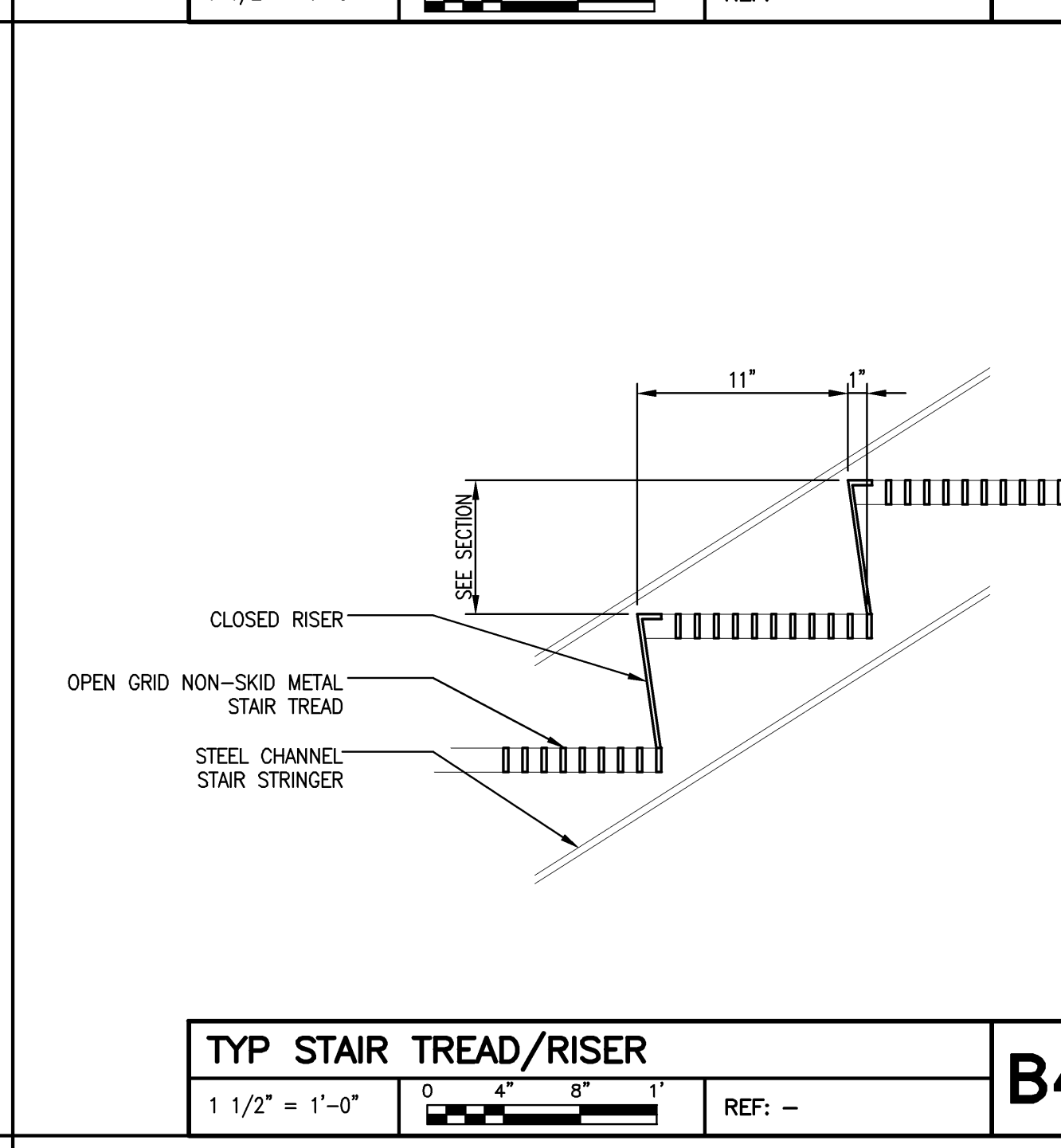
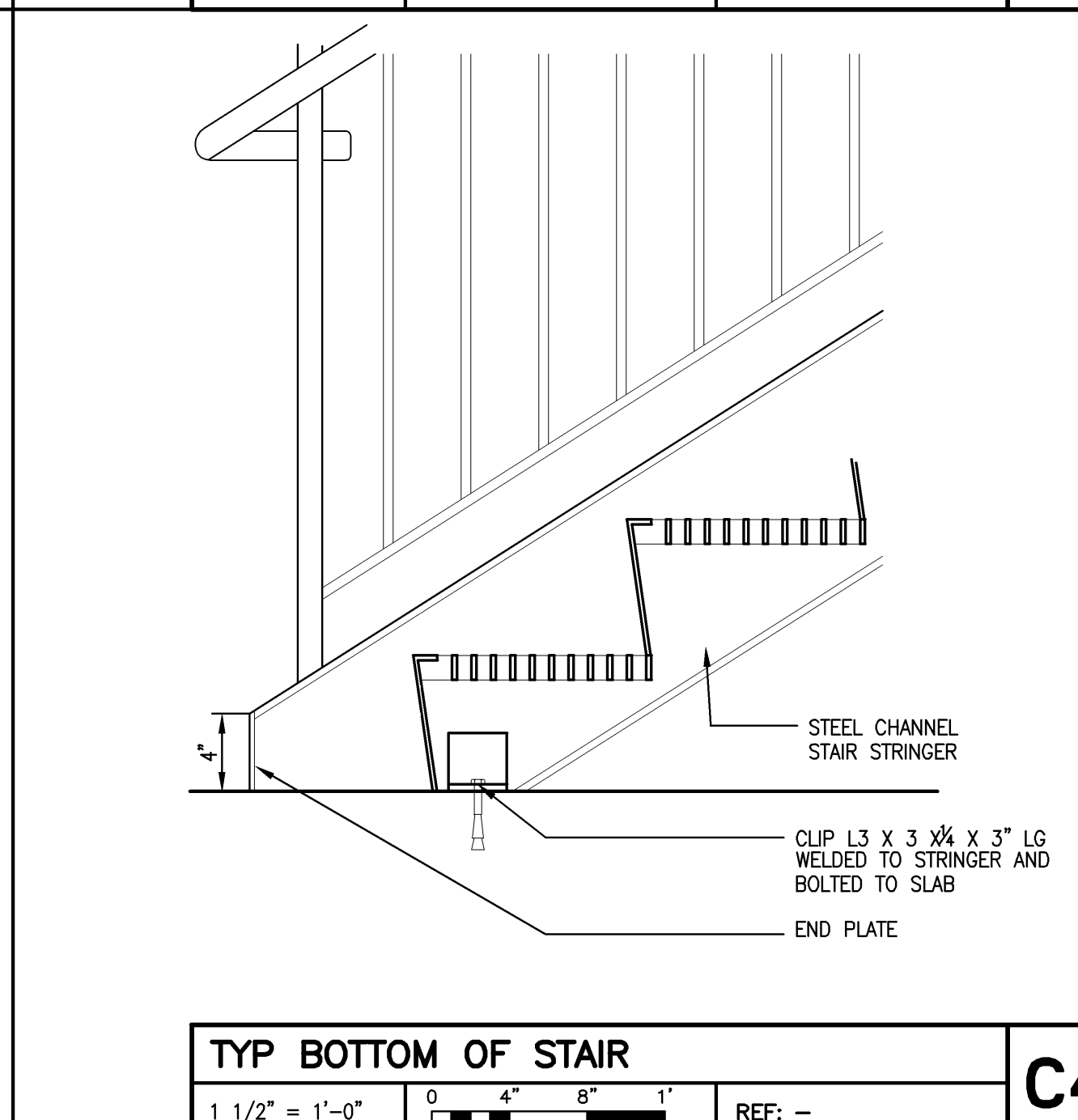
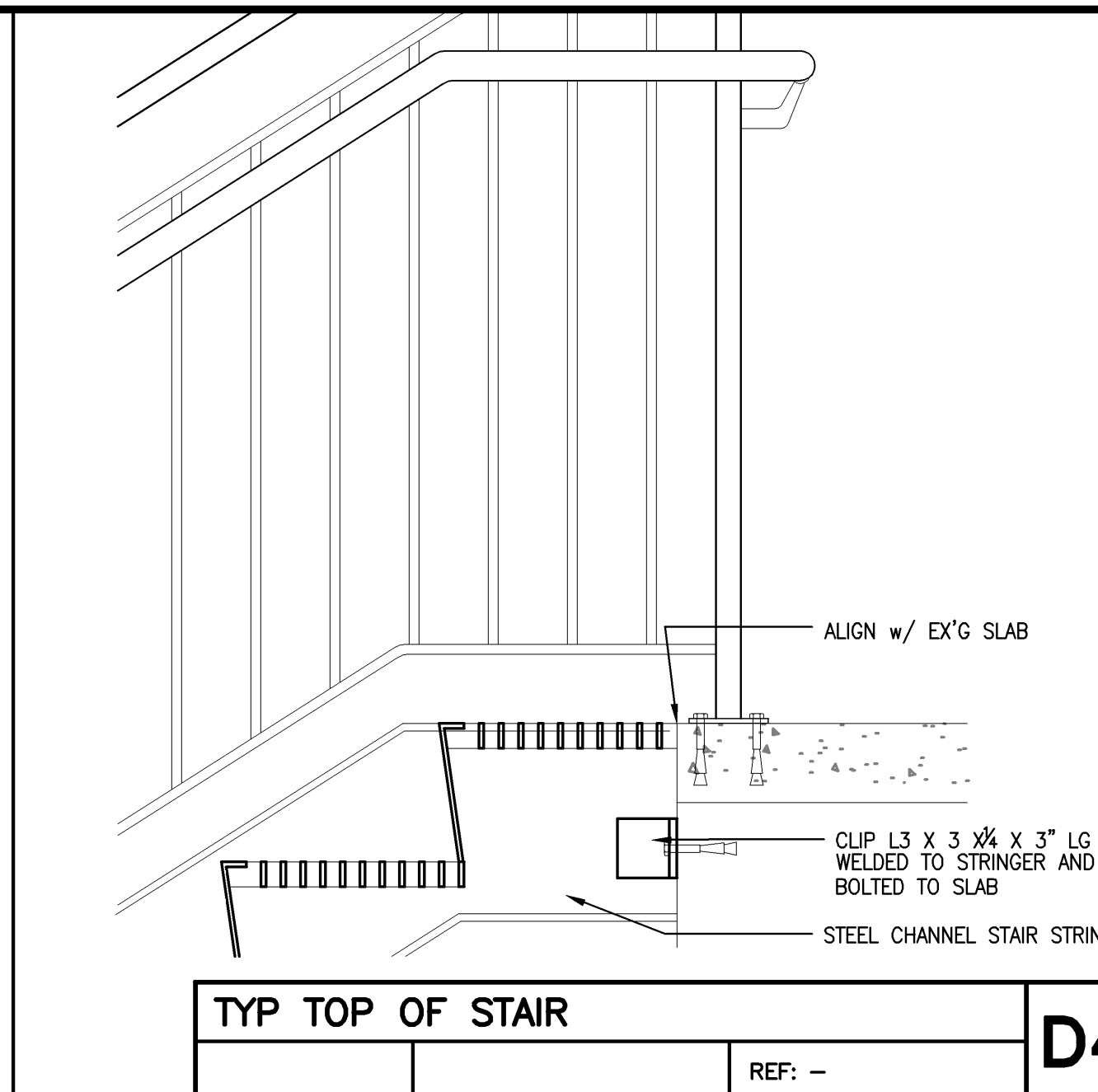
FIRE RATING	UL DESIGN NO. WHERE APPLICABLE	PARTITION OR WALL TAG NO.
(2) 3-5/8" STEEL STUDS W/ SAB	UL NO. V446	W10
1 HR FIRE RATED		



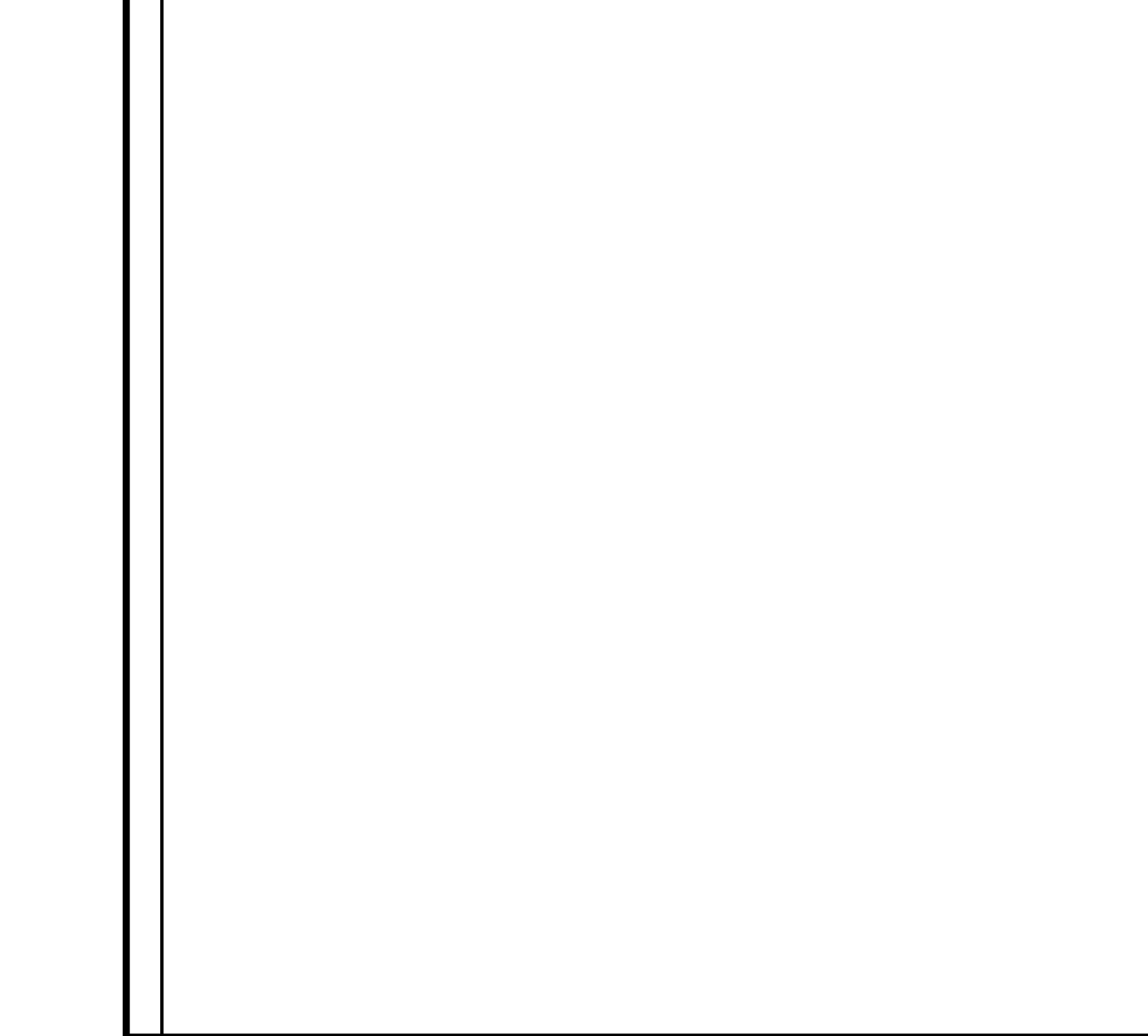
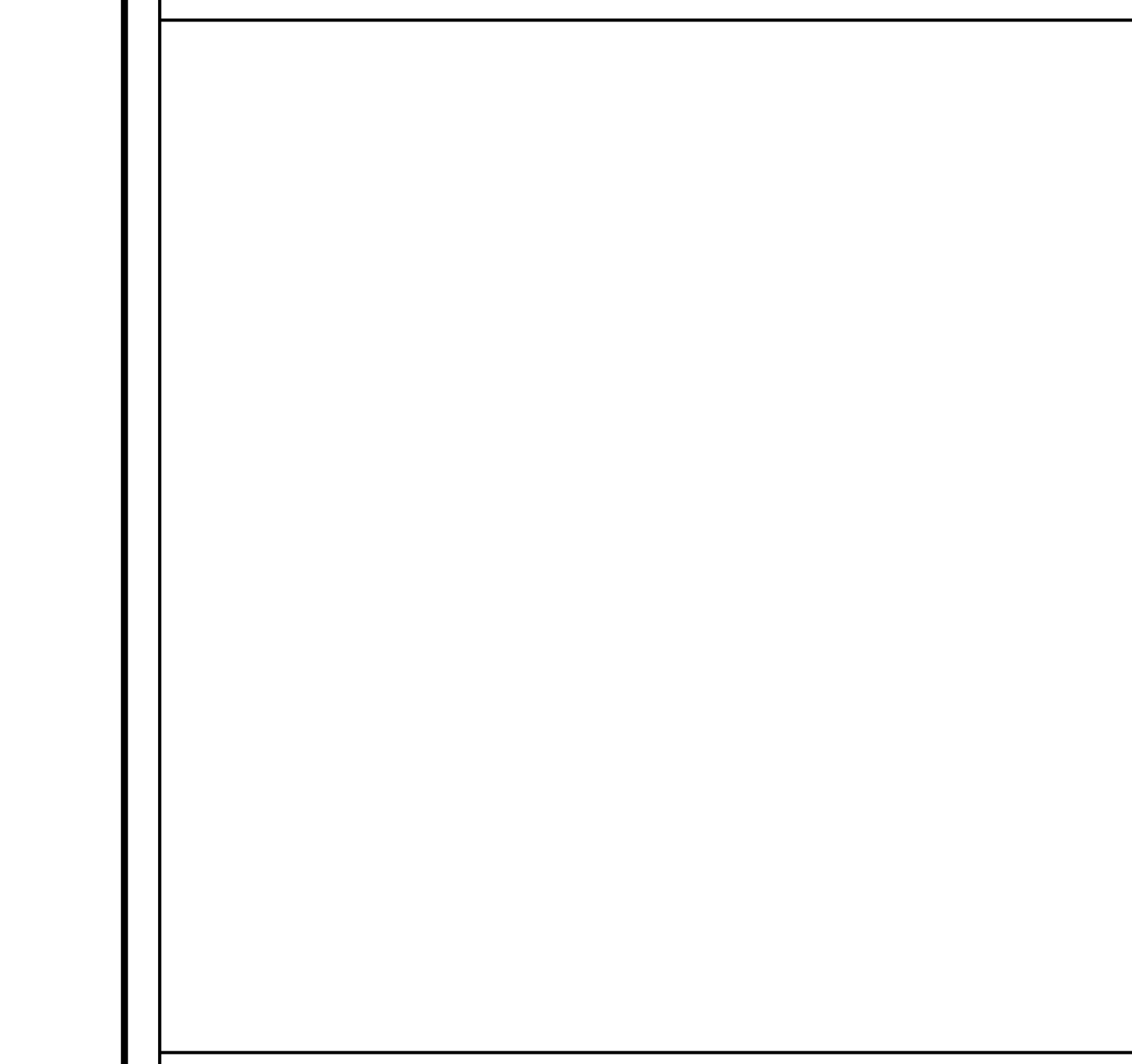
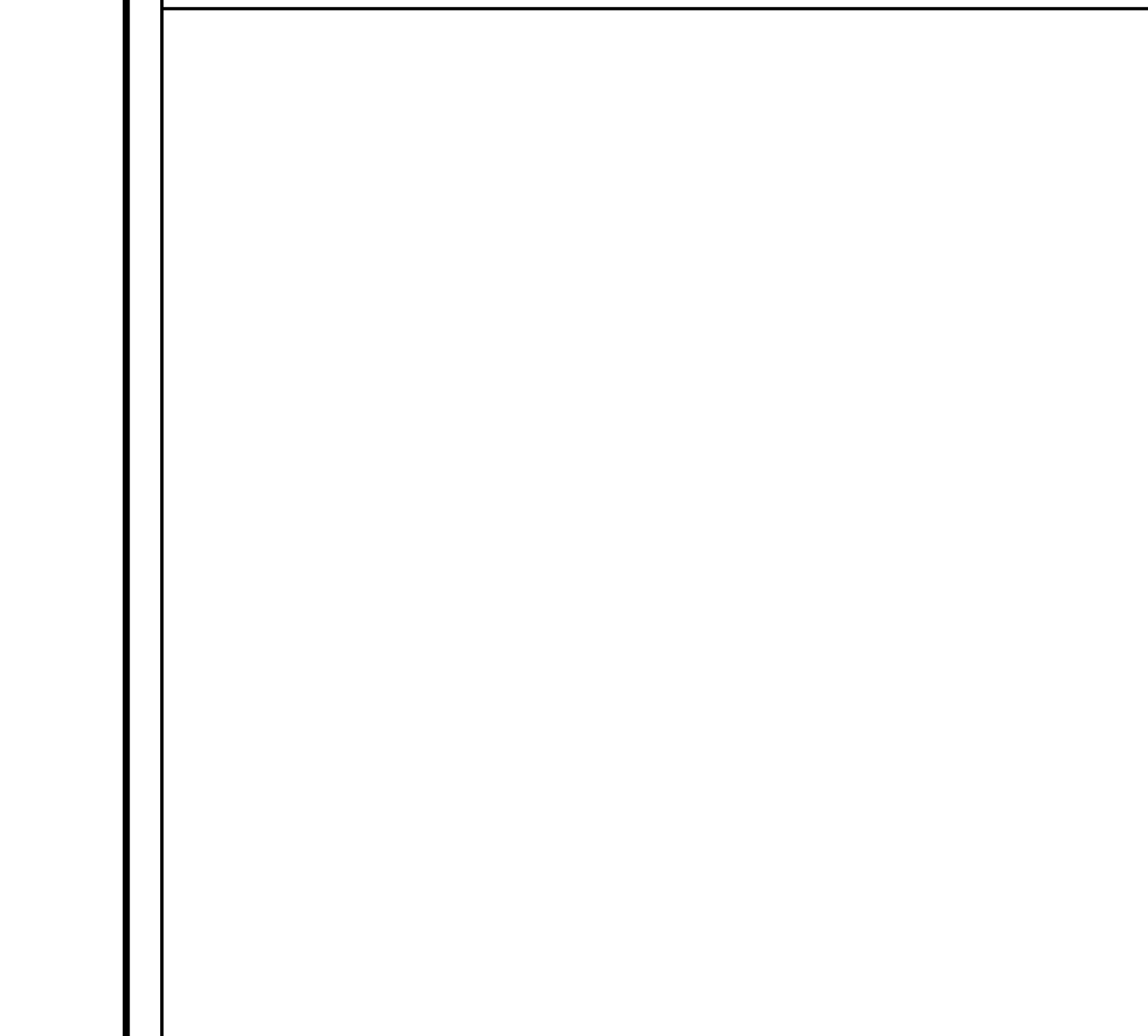
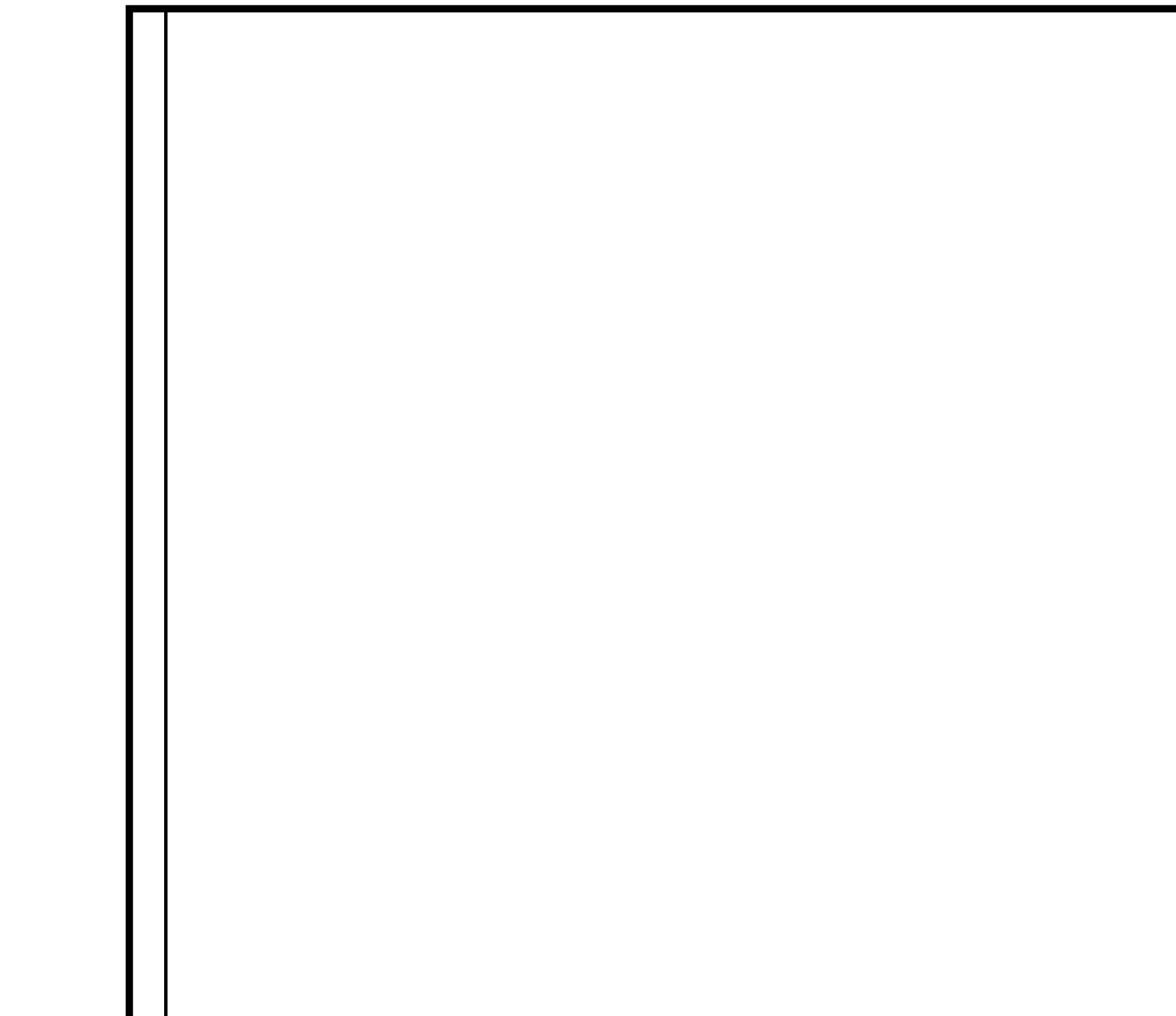
FIRE RATING	UL DESIGN NO. WHERE APPLICABLE	PARTITION OR WALL TAG NO.
3 5/8" STEEL STUDS W/ 3 1/2" SAB		223
NON RATED		
6" STEEL STUDS W/ 3 1/2" + 2 1/2" SAB		226
NON RATED		



FIRE RATING	UL DESIGN NO. WHERE APPLICABLE	PARTITION OR WALL TAG NO.
SHAFTWALL WITH 2 1/2" C-H STUDS W/ SAB		222
1 HR FIRE RATED	UL NO. U469	



FIRE RATING	UL DESIGN NO. WHERE APPLICABLE	PARTITION OR WALL TAG NO.
1 1/2" STEEL PIPE TOP RAIL		224
NON RATED		



FIRE RATING	UL DESIGN NO. WHERE APPLICABLE	PARTITION OR WALL TAG NO.
1 1/2" STEEL PIPE TOP RAIL		224
NON RATED		