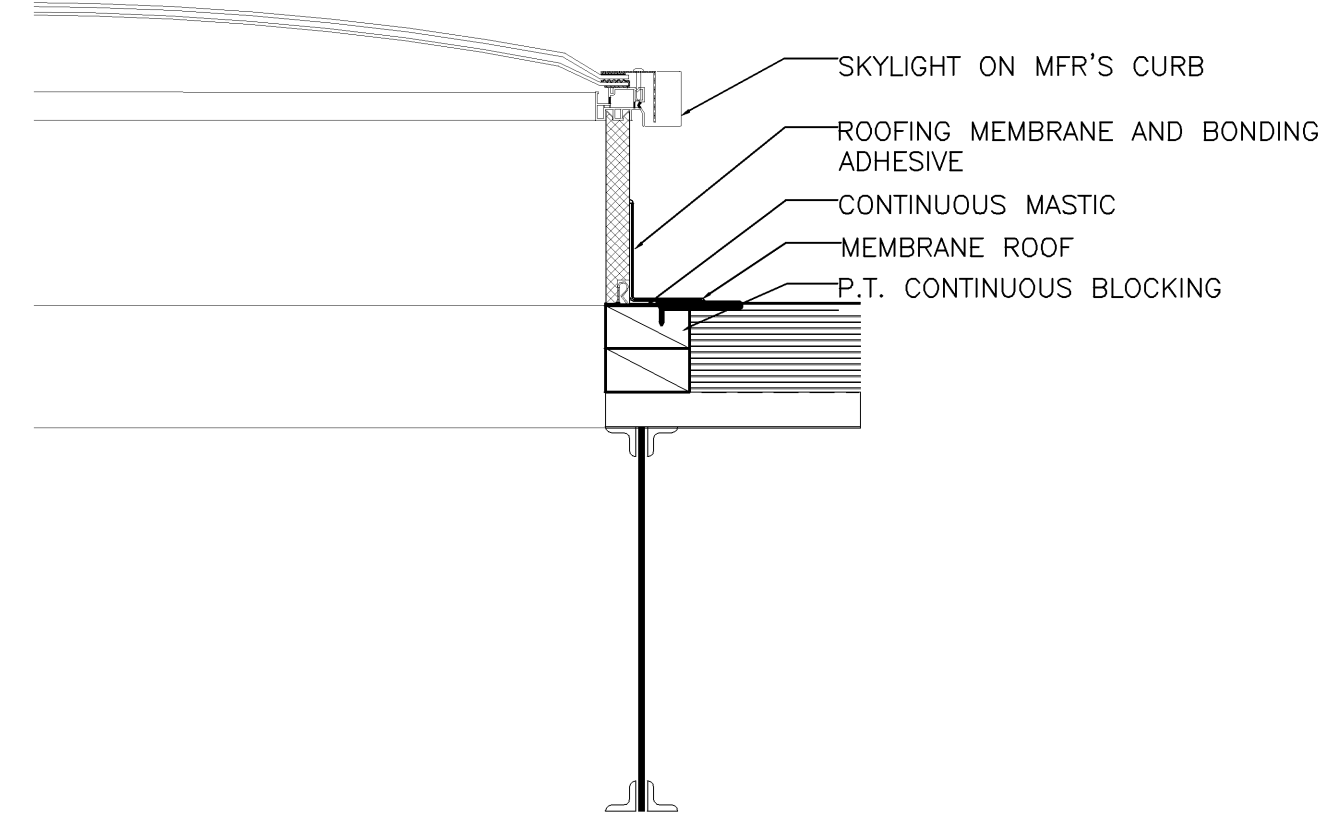
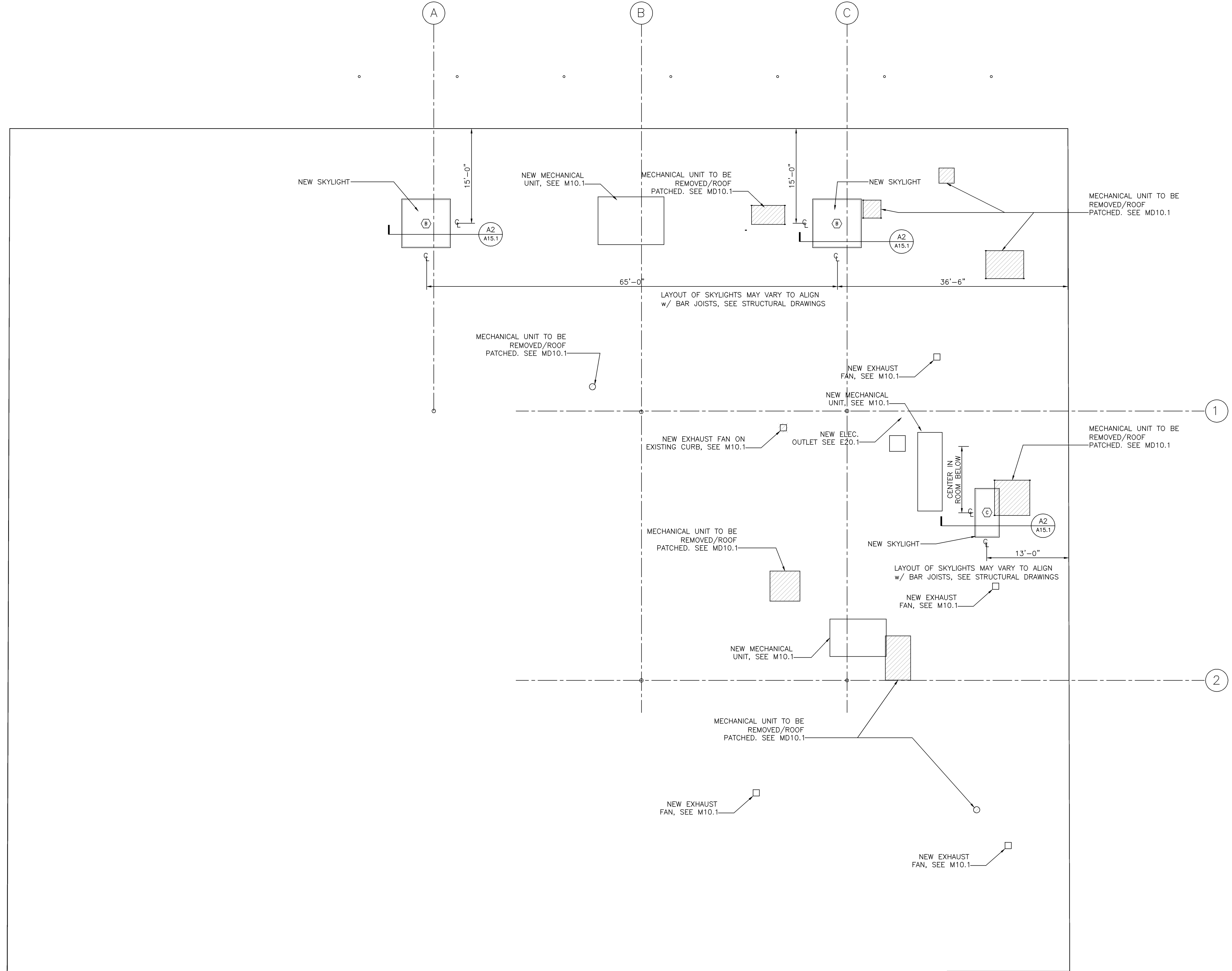
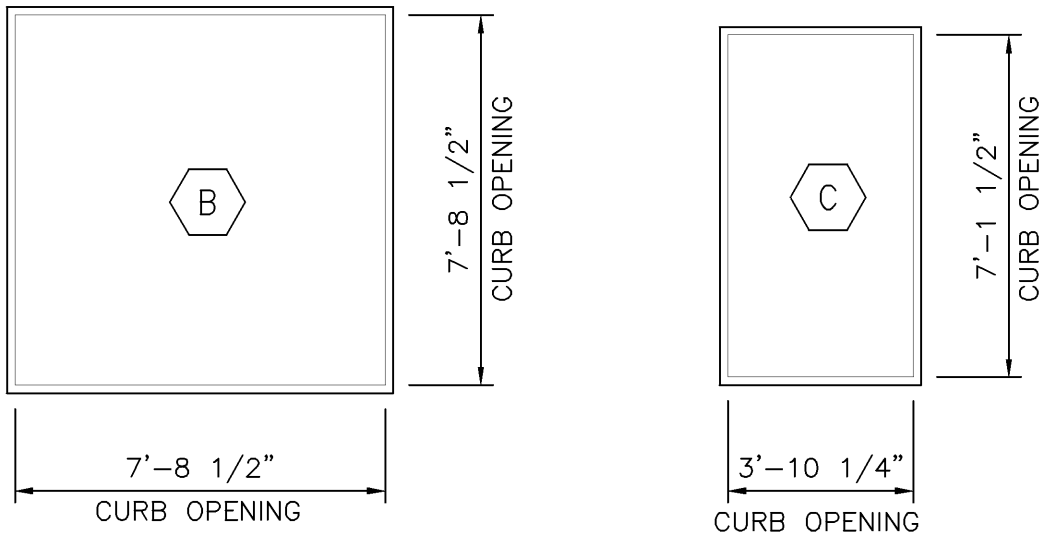


07/01/08	ISSUED FOR PERMIT	
06/26/08	100% REVIEW SET	
Mark	Date	Description
Issue Dates		

Drawing Status



SKYLIGHT DETAIL REF: - **B2**



SKYLIGHT SCHEDULE 1/4" = 1'-0" REF: - **A2**

ROOF PLAN REF: - **A1**