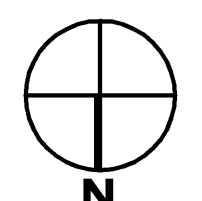


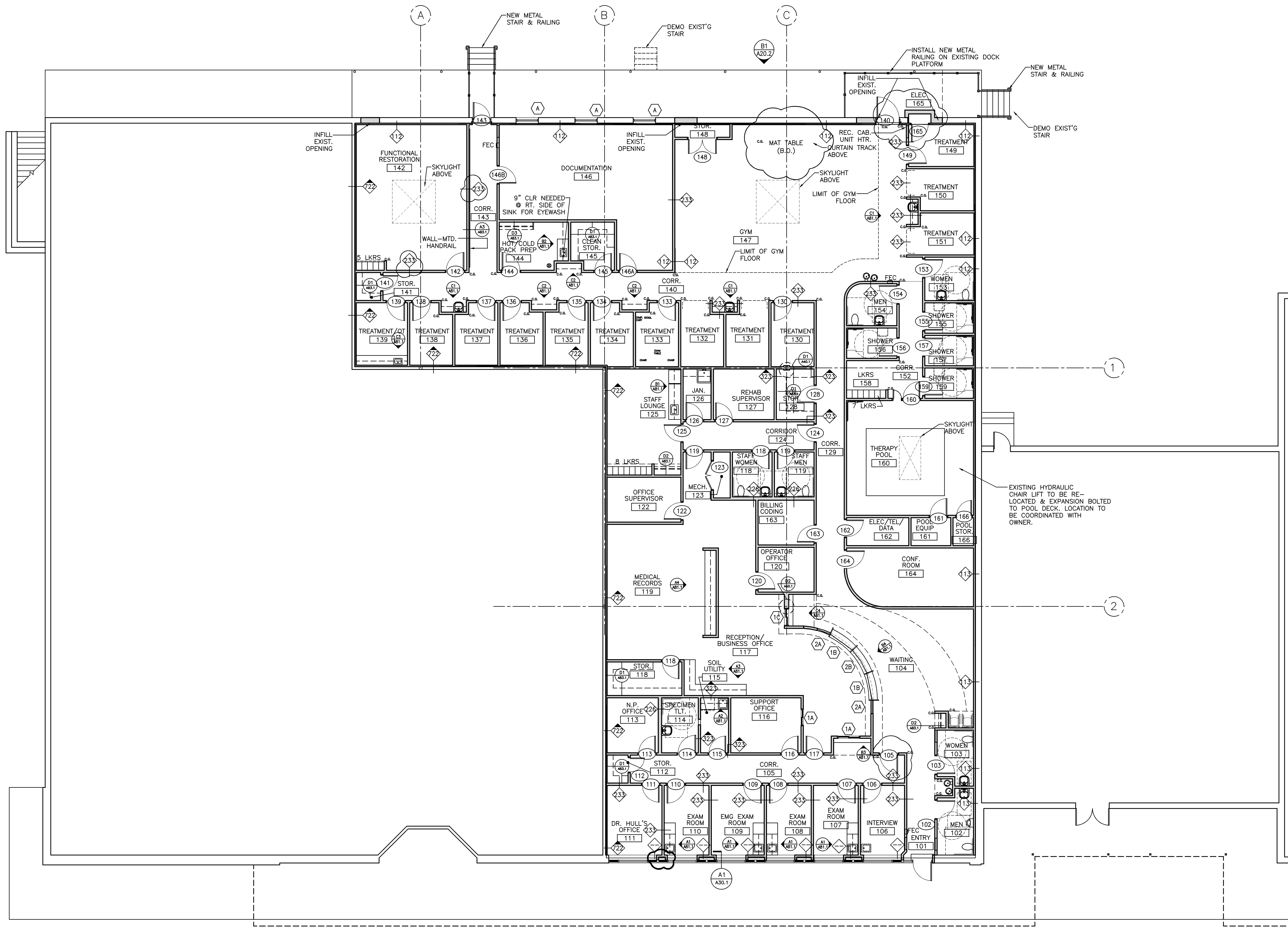
Project Title
**MERCY HEALTH CENTER
WESTGATE PLAZA**
PORTLAND, MAINE

HA Project No. **07182**
Key Plan



NOTE: ALL INTERIOR PARTITIONS TO BE TYPE 223 UNLESS NOTED OTHERWISE.

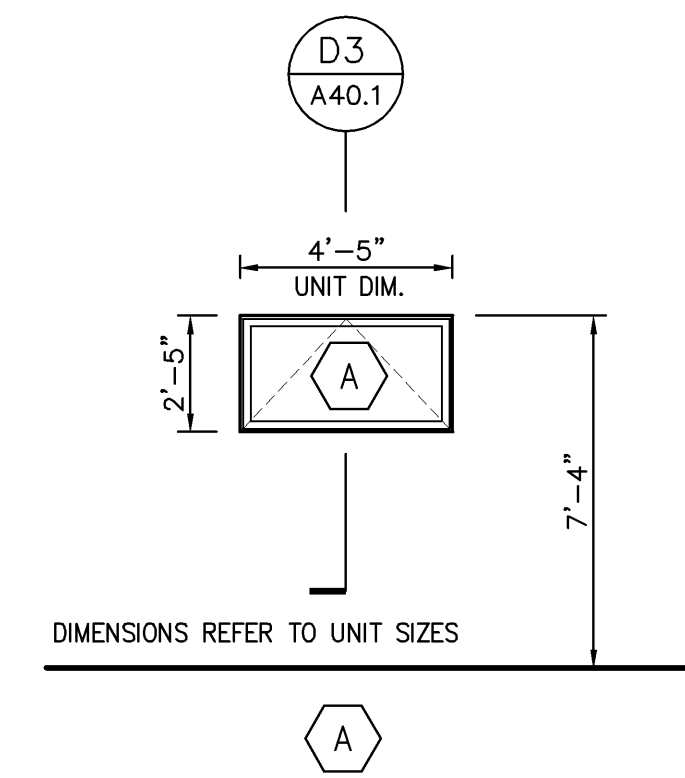
NEW CONSTRUCTION SHOWN SHADED



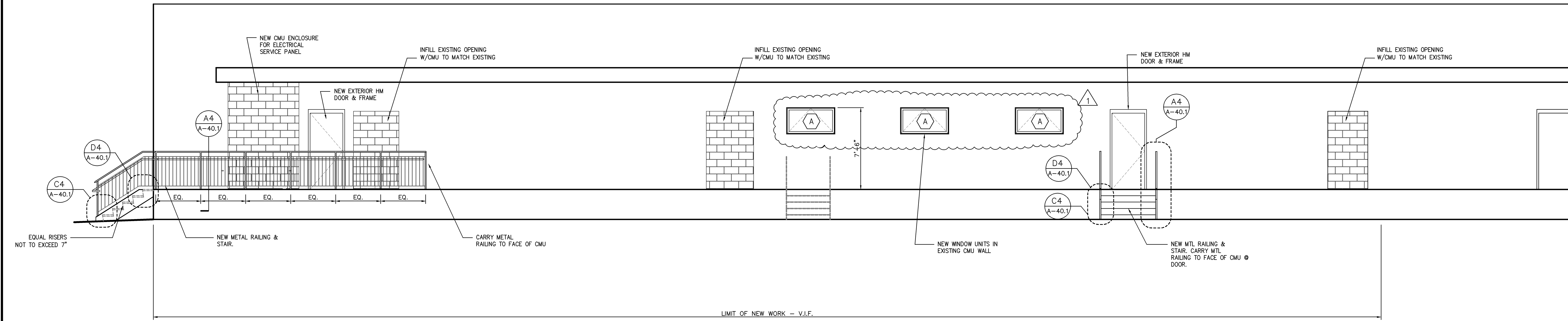
Mark	Date	Description
	07/08/08	ADDENDUM
	07/01/08	ISSUED FOR PERMIT
	06/26/08	100% REVIEW SET
	06/17/08	50% REVIEW SET

Drawing Status

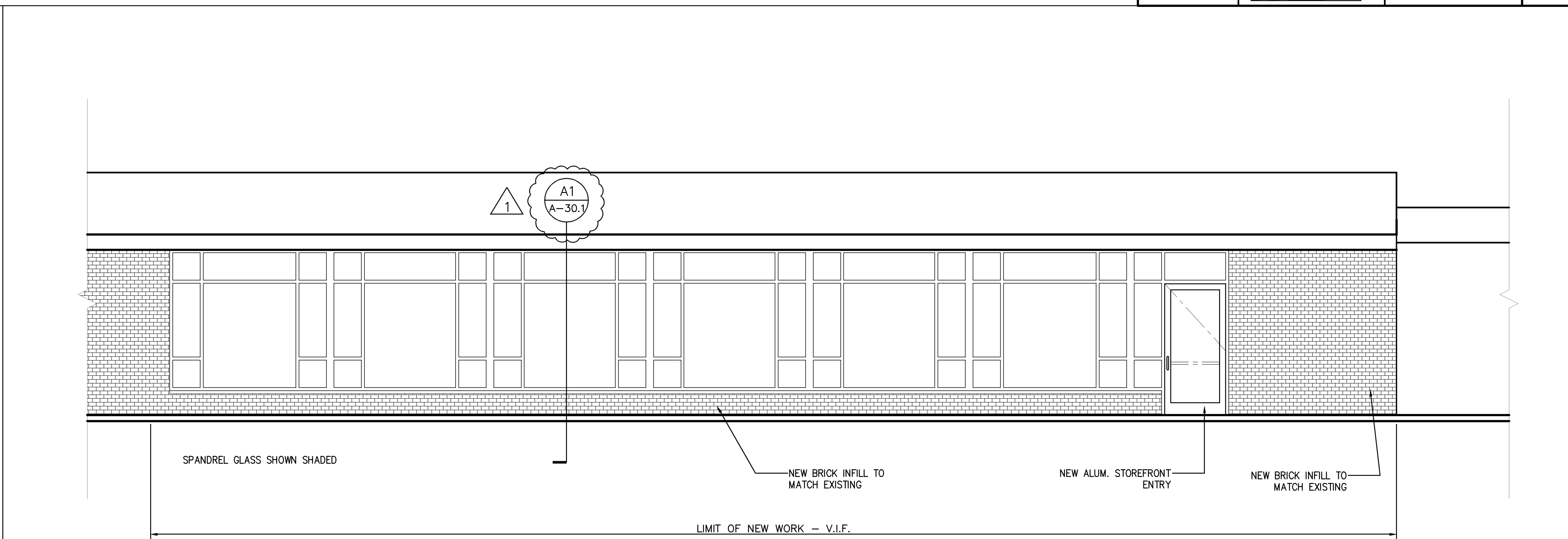
Drawing Title
FLOOR PLAN
PA / PE: DG Drawn By: JGJ
Drawing Number



WINDOW SCHEDULE
1/4" = 1'-0" REF: - **C1**



REAR ELEVATION
1/4" = 1'-0" REF: - **B1**



FRONT ELEVATION
1/4" = 1'-0" REF: - **A1**

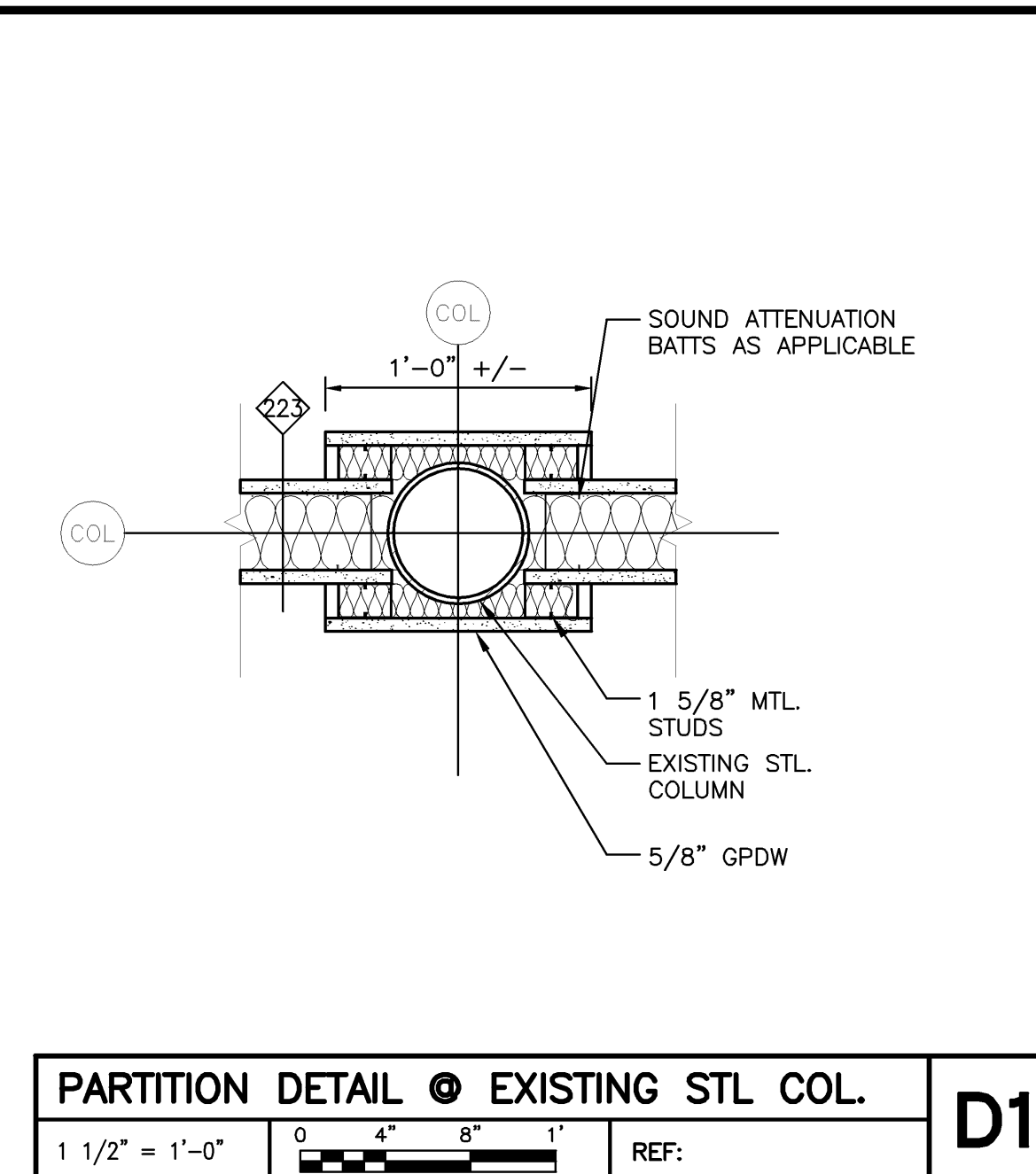
Mark	Date	Description
	07/08/08	ADDENDUM
	07/01/08	ISSUED FOR PERMIT
	06/26/08	100% REVIEW SET
	06/17/08	50% REVIEW SET

Drawing Status

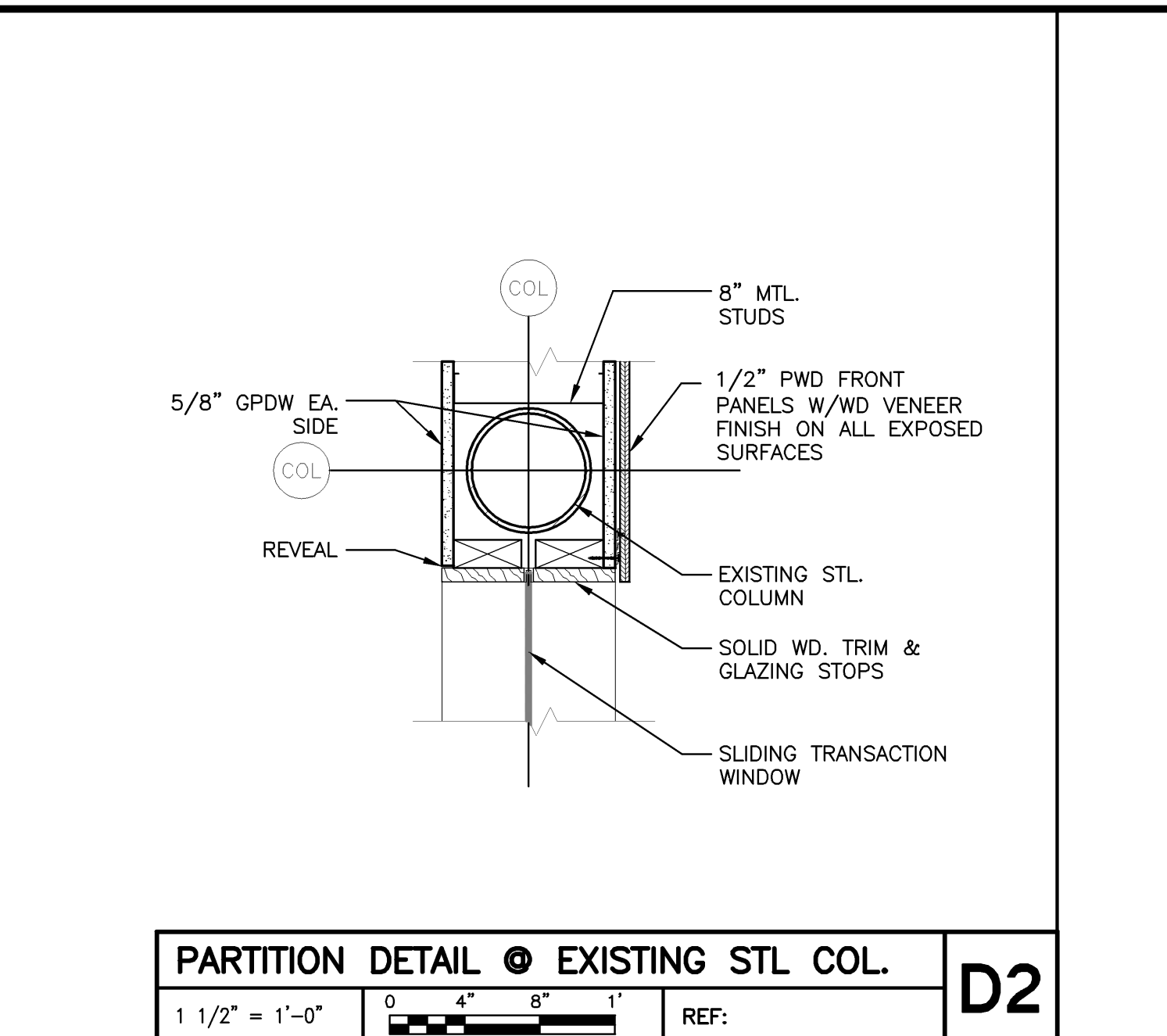


Mark	Date	Description
	07/08/08	ADDENDUM
	07/01/08	ISSUED FOR PERMIT
	06/26/08	100% REVIEW SET

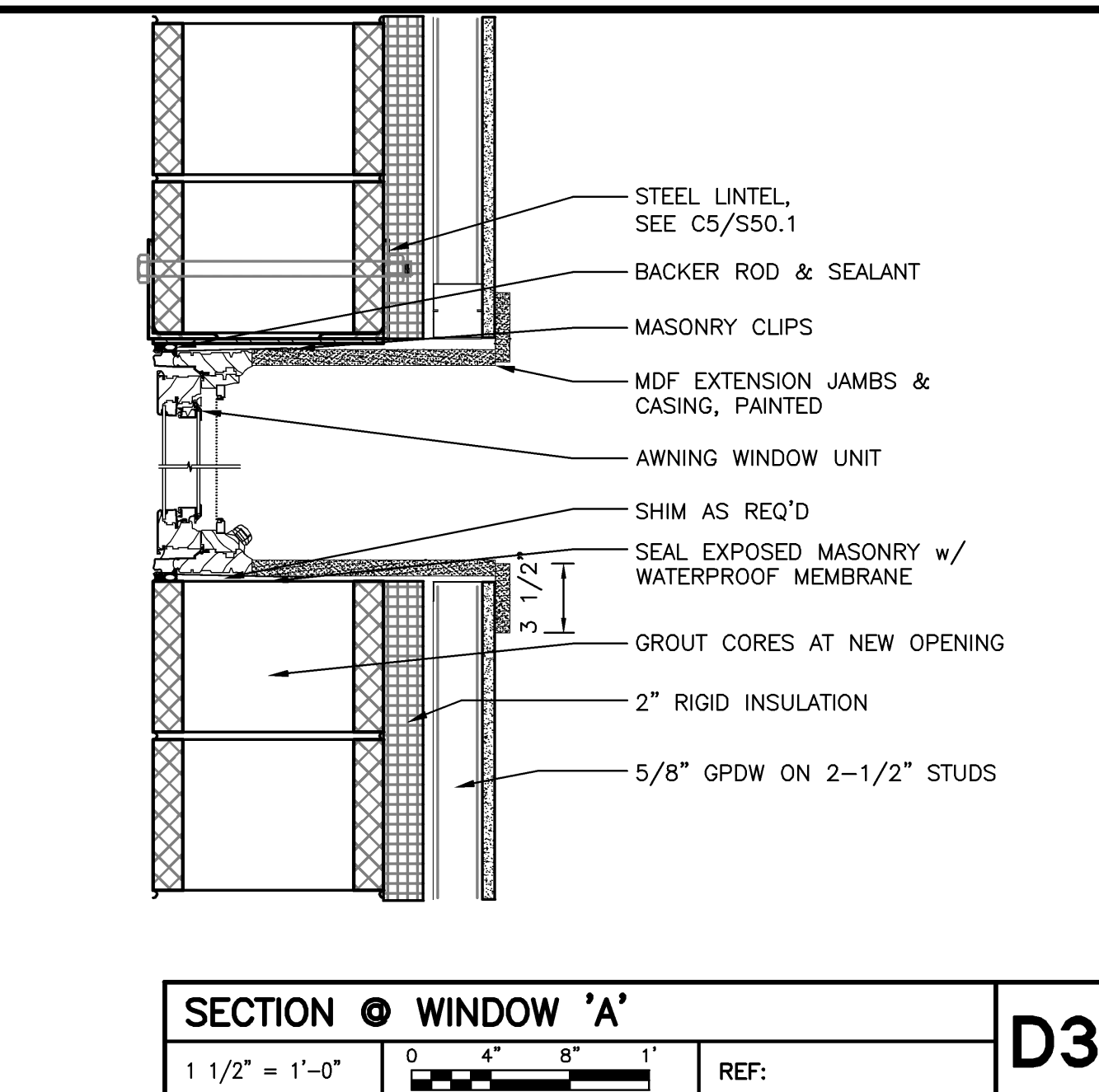
Drawing Status



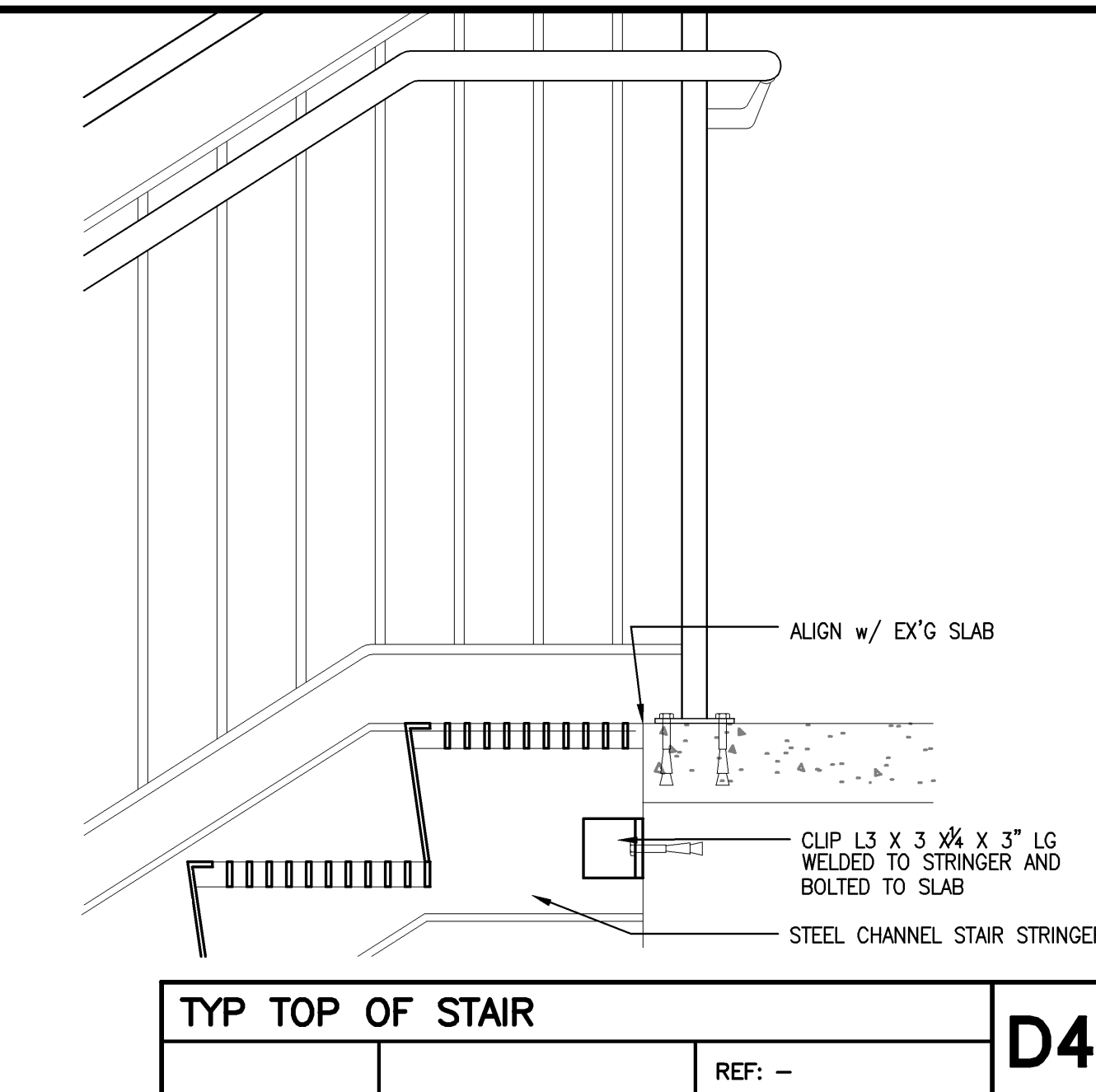
PARTITION DETAIL @ EXISTING STL COL. D1



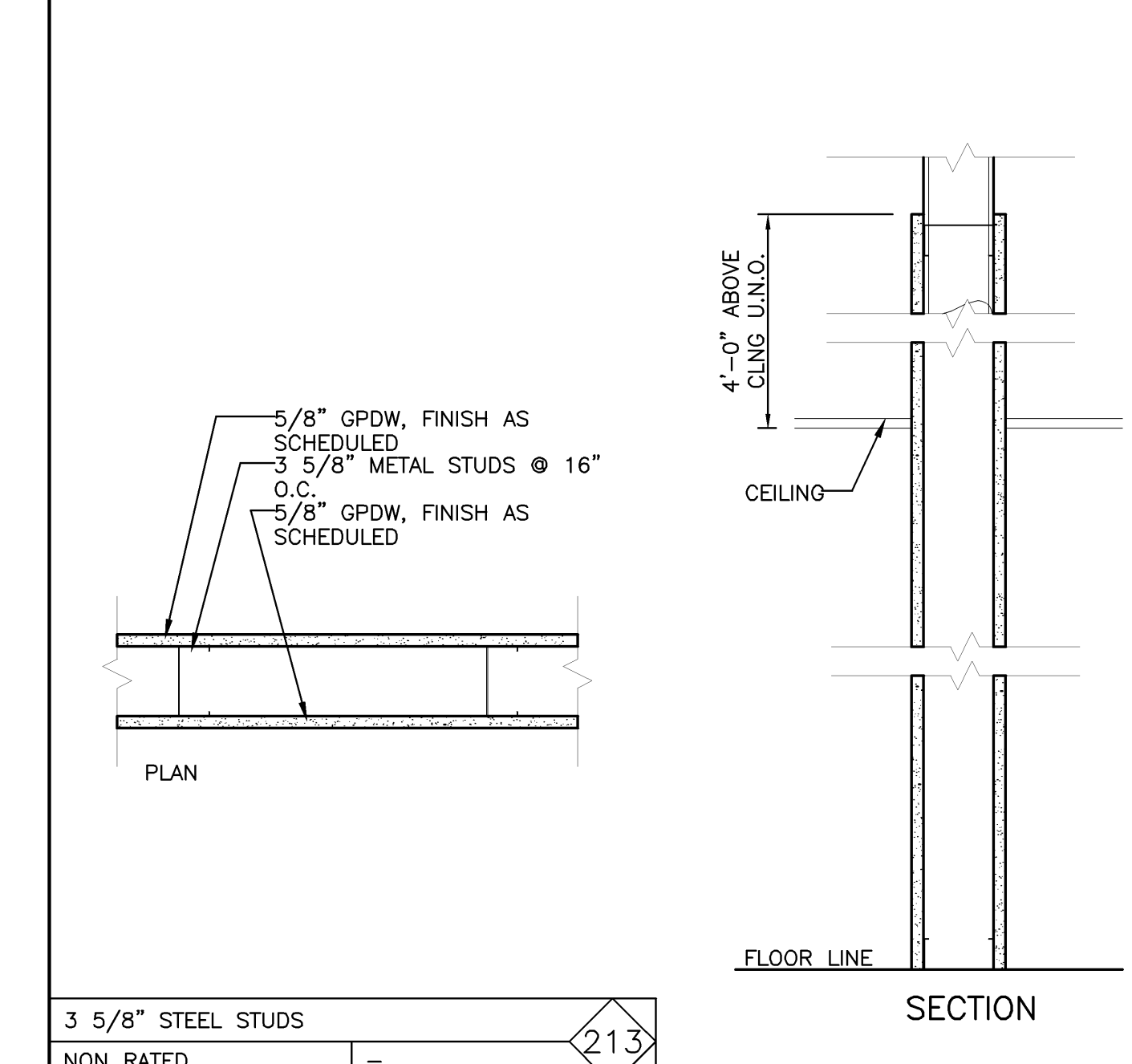
PARTITION DETAIL @ EXISTING STL COL. D2



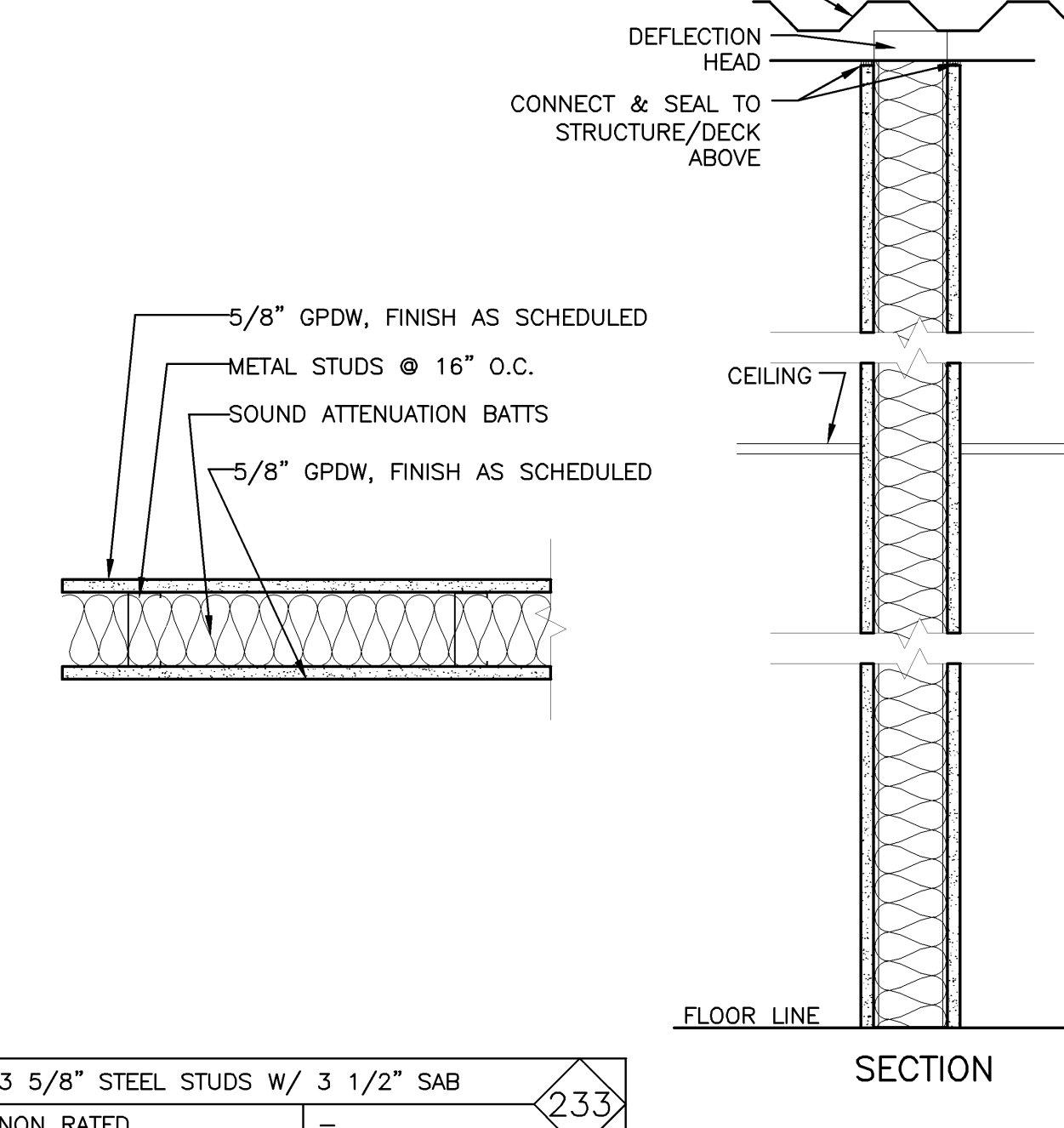
SECTION @ WINDOW 'A' D3



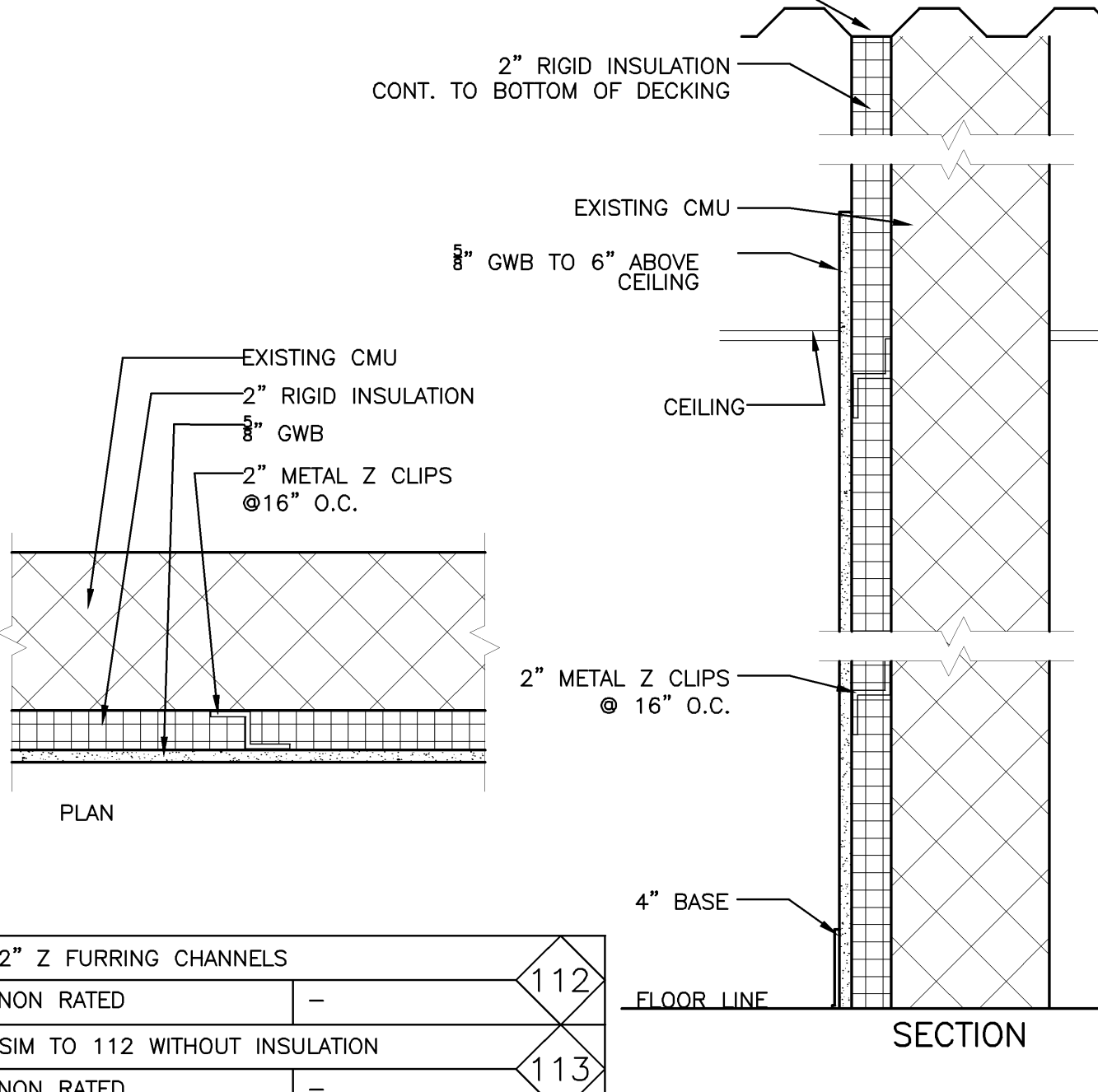
TYP TOP OF STAIR D4



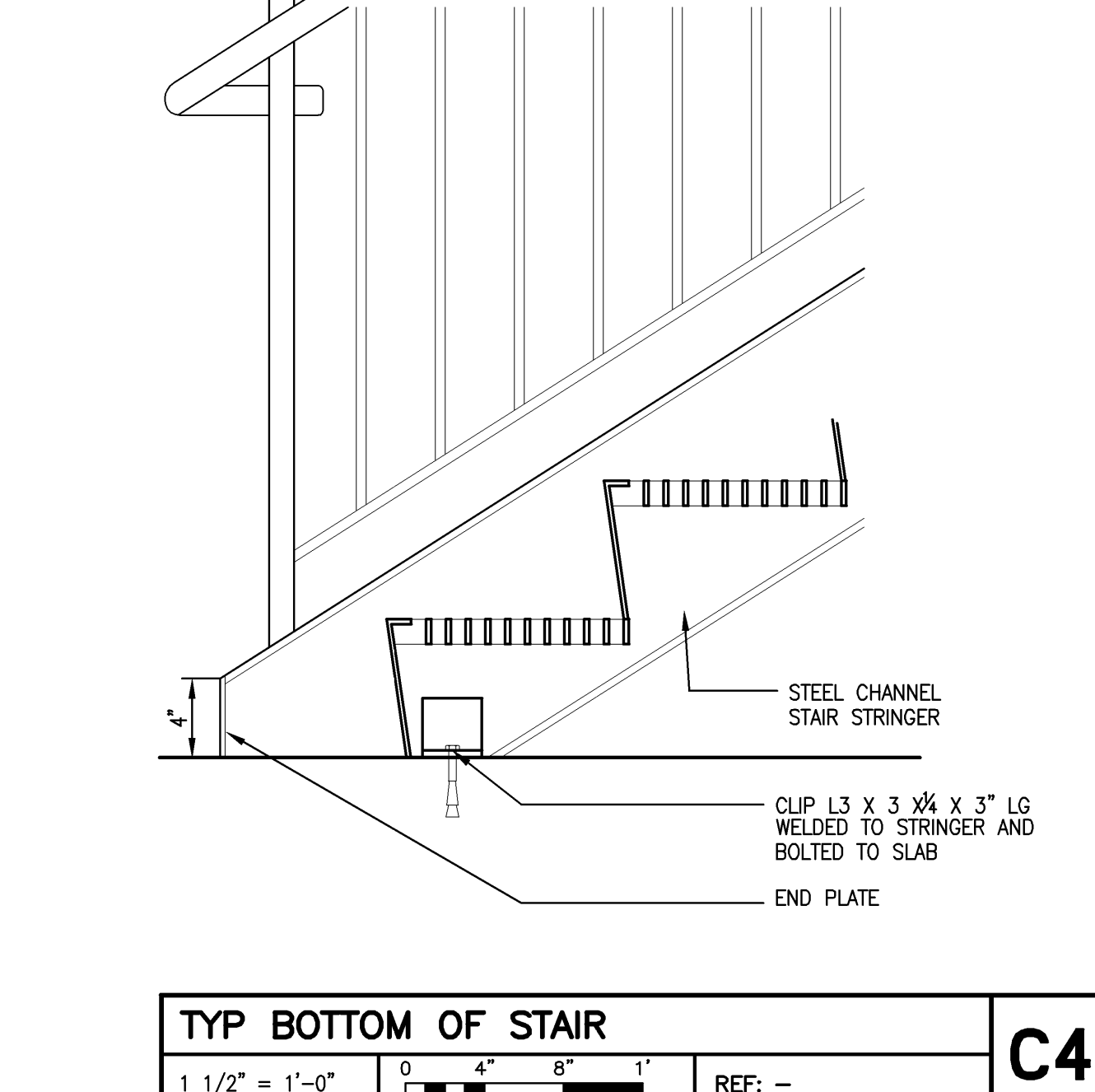
3 5/8" STEEL STUDS NON RATED



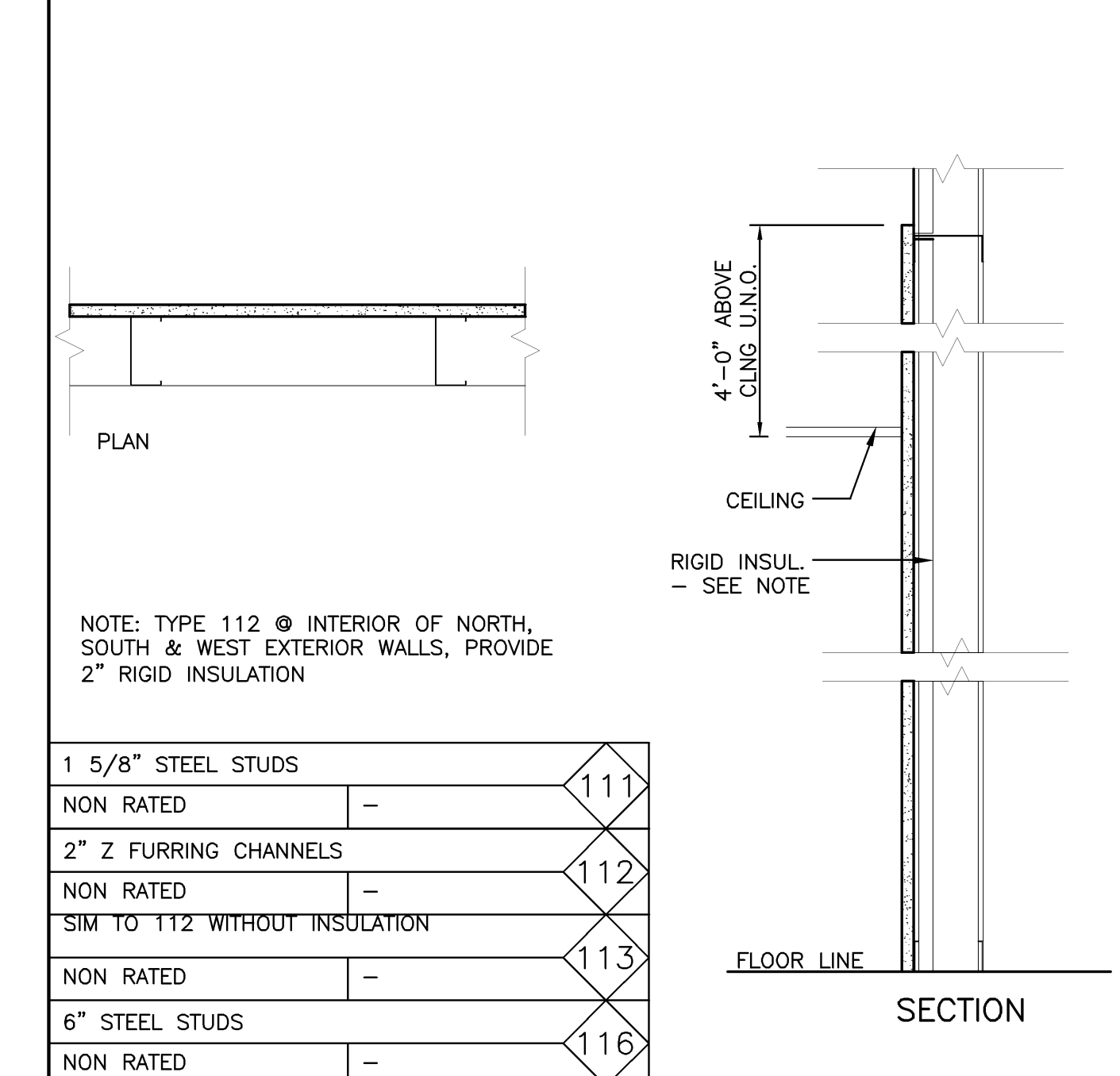
3 5/8" STEEL STUDS W/ 3 1/2" SAB NON RATED



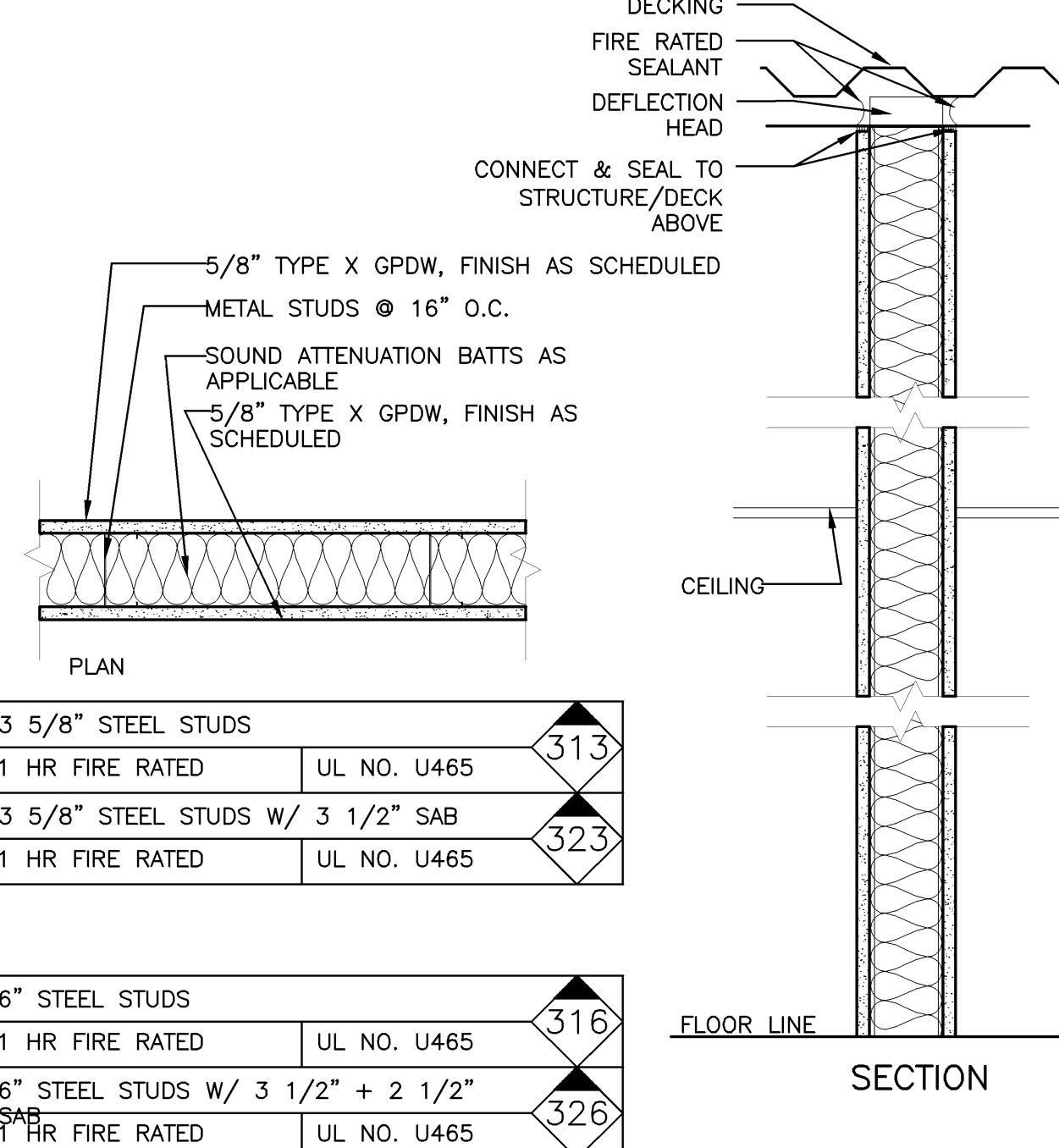
2" Z FURRING CHANNELS NON RATED



TYP BOTTOM OF STAIR C4



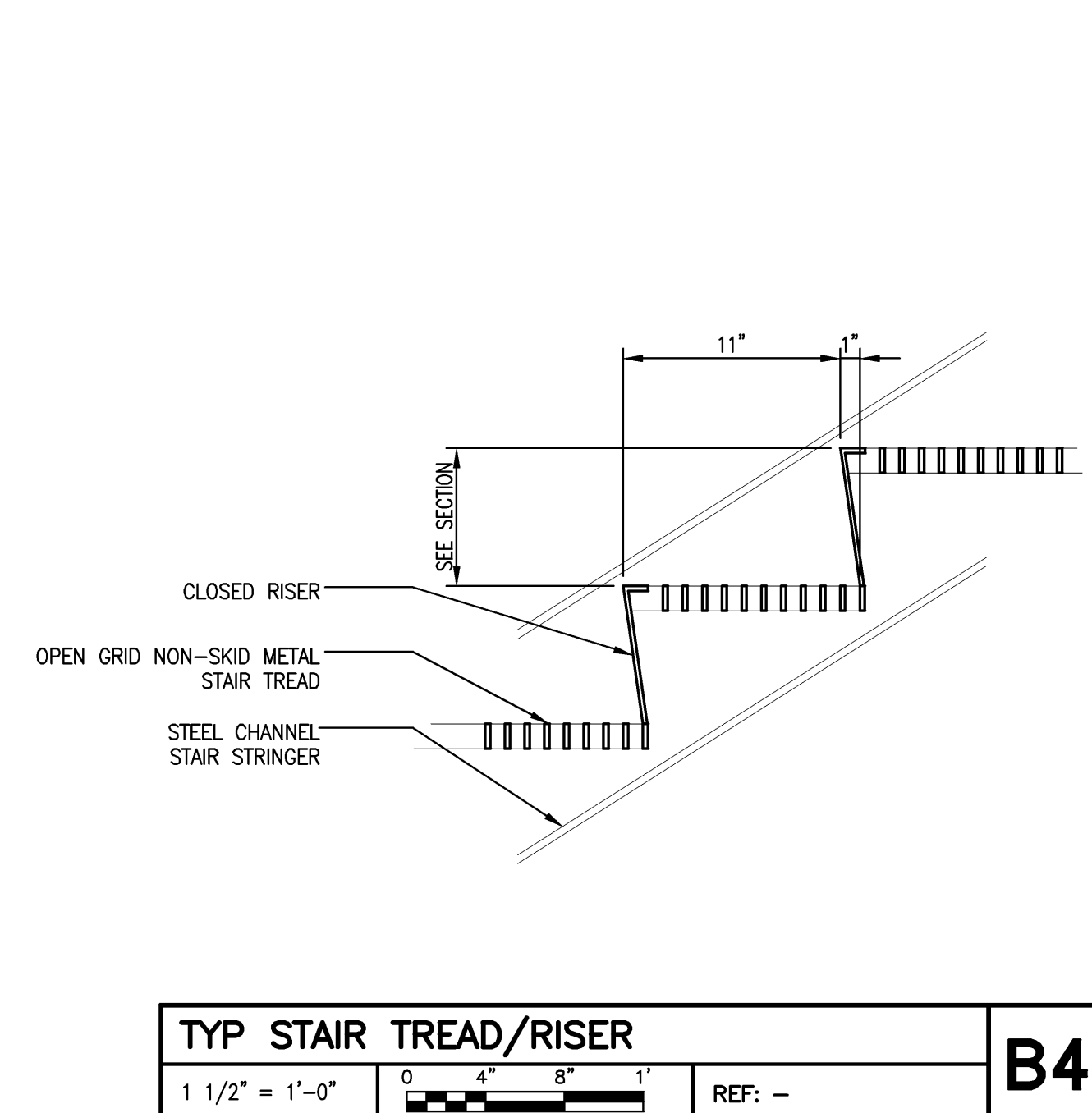
1 5/8" STEEL STUDS NON RATED



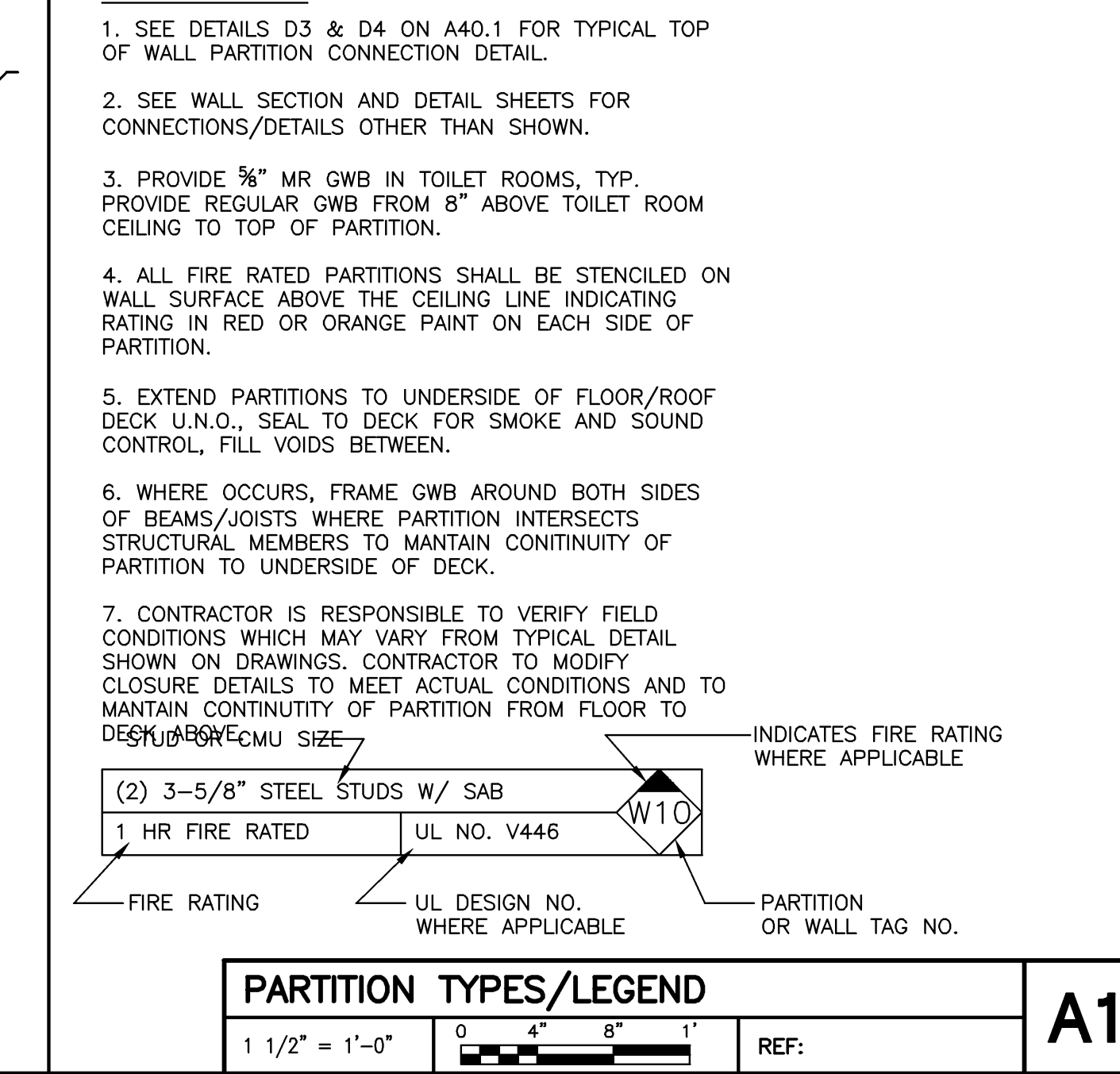
6" STEEL STUDS 1 HR FIRE RATED



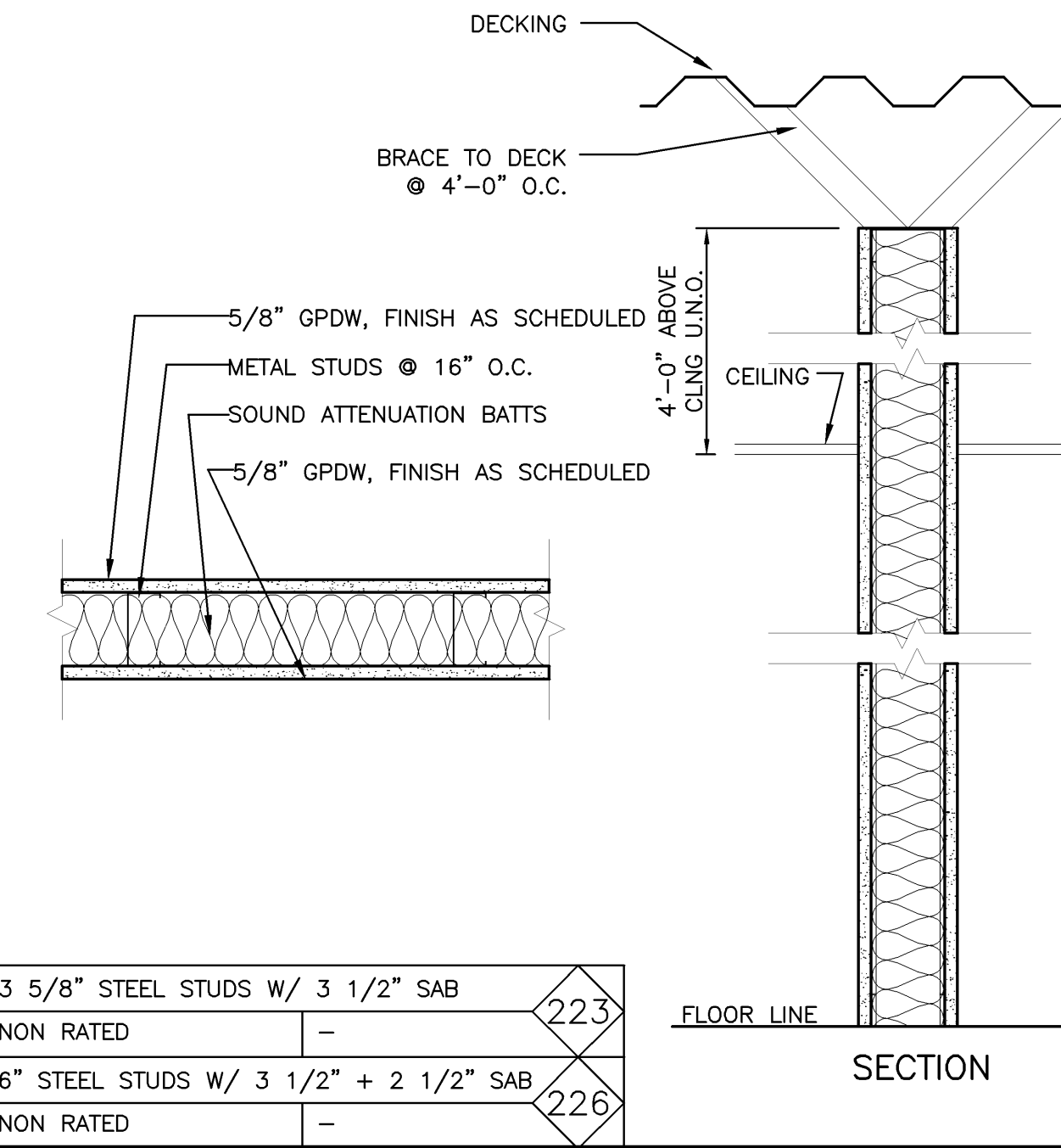
6" STEEL STUDS W/ 3 1/2" + 2 1/2" SAB 1 HR FIRE RATED



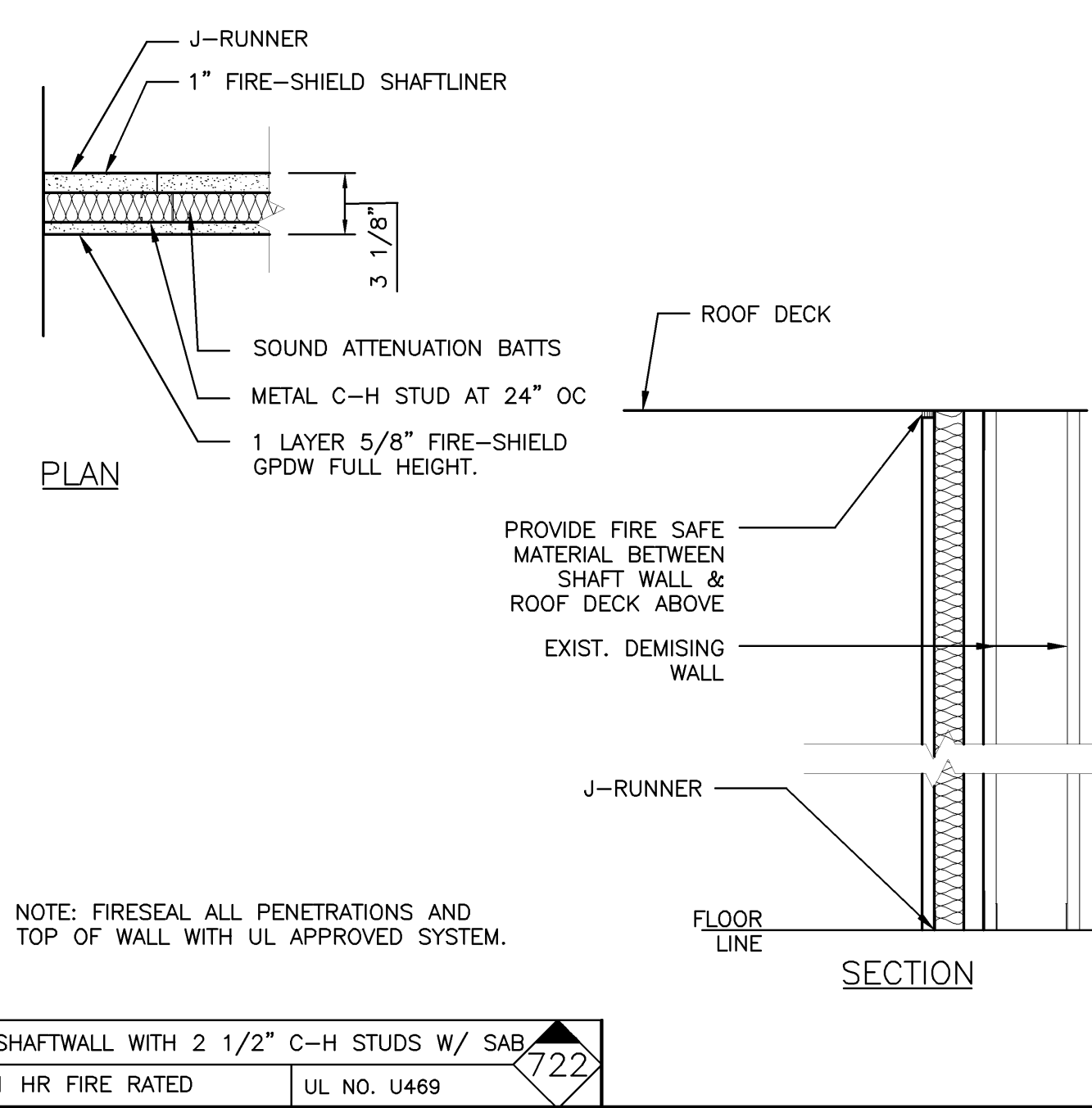
TYP STAIR TREAD/RISER B4



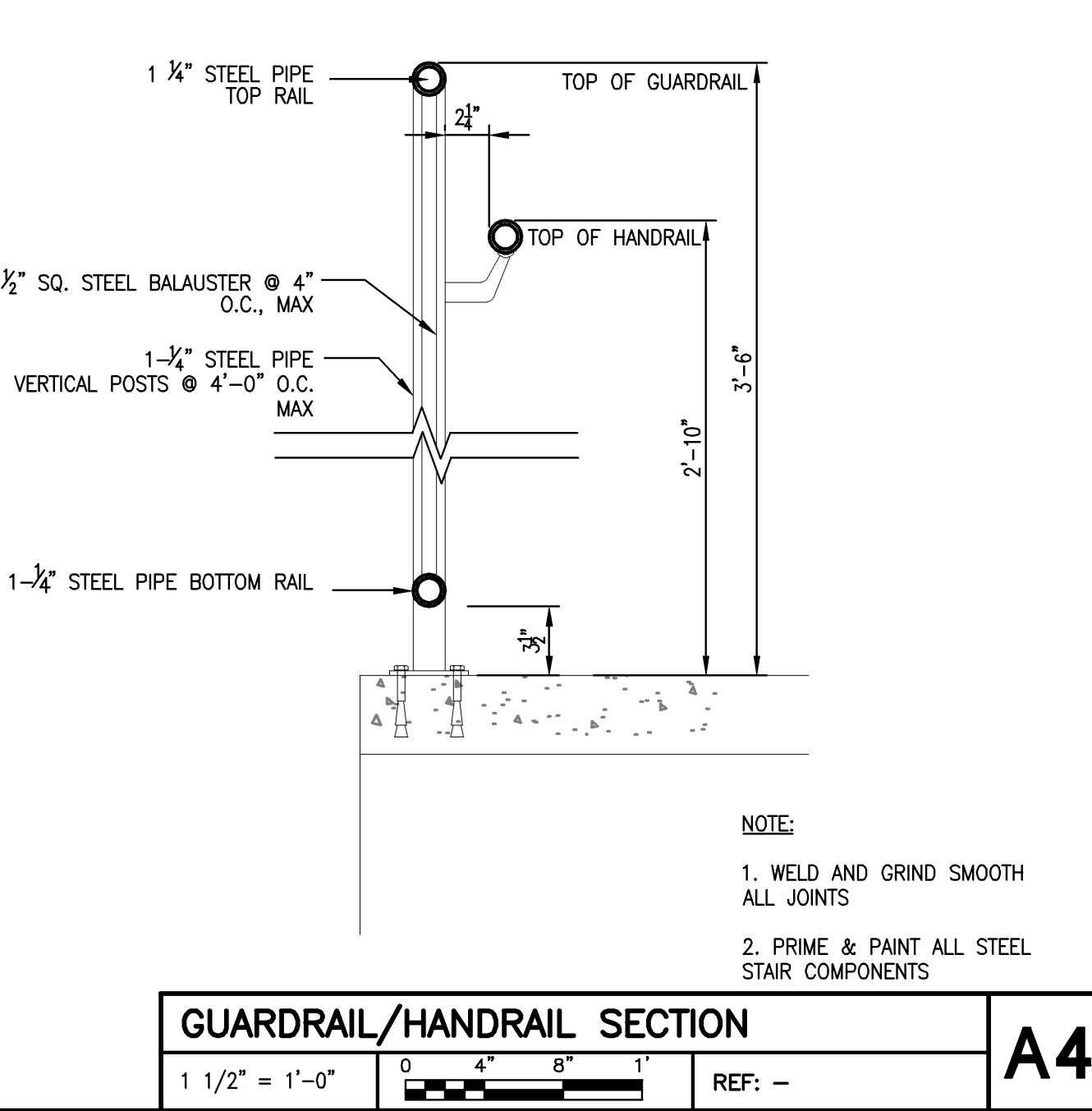
PARTITION TYPES/LEGEND A1



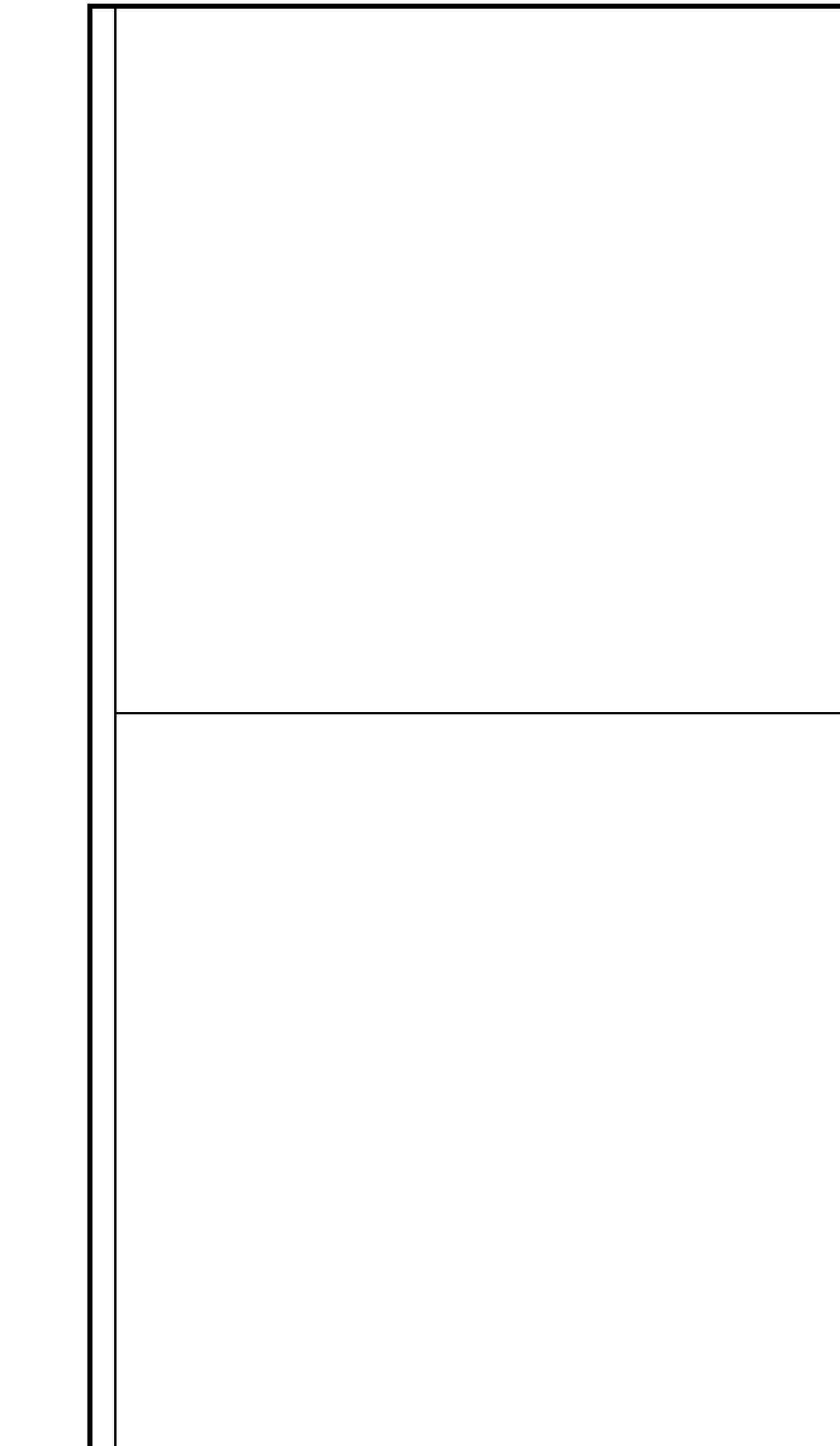
3 5/8" STEEL STUDS W/ 3 1/2" SAB NON RATED



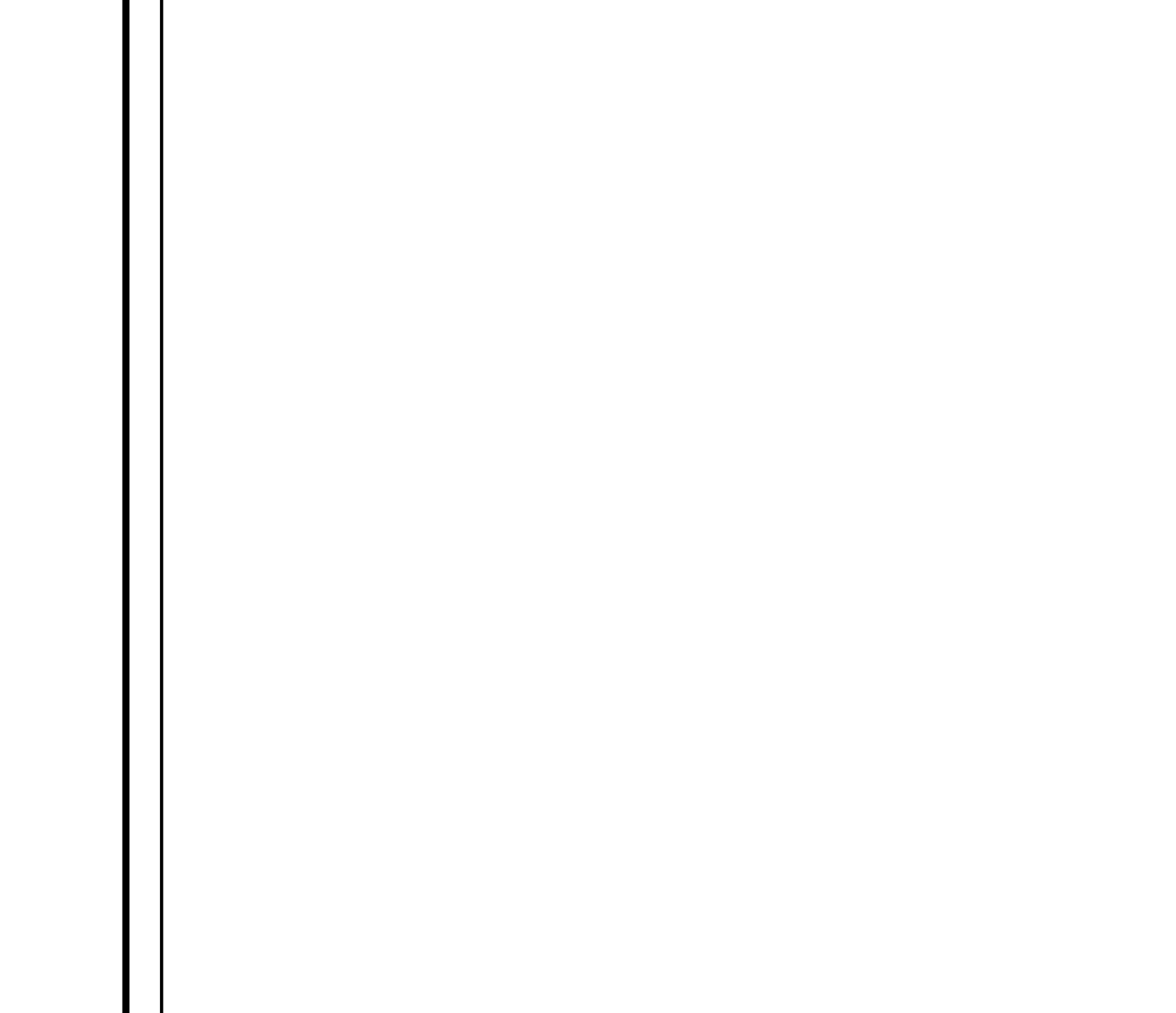
6" STEEL STUDS W/ 3 1/2" + 2 1/2" SAB NON RATED



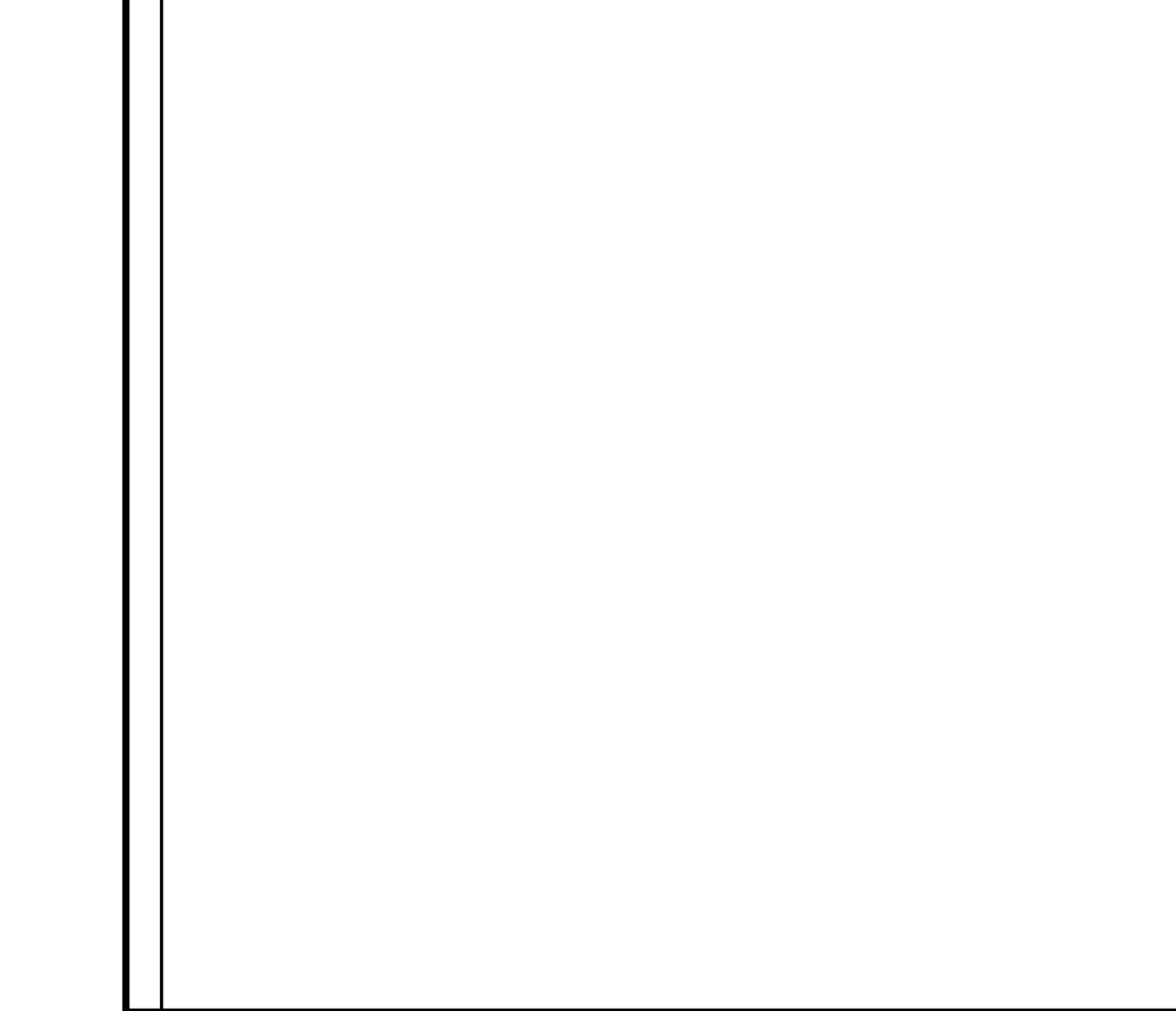
GUARDRAIL/HANDRAIL SECTION A4



PLAN

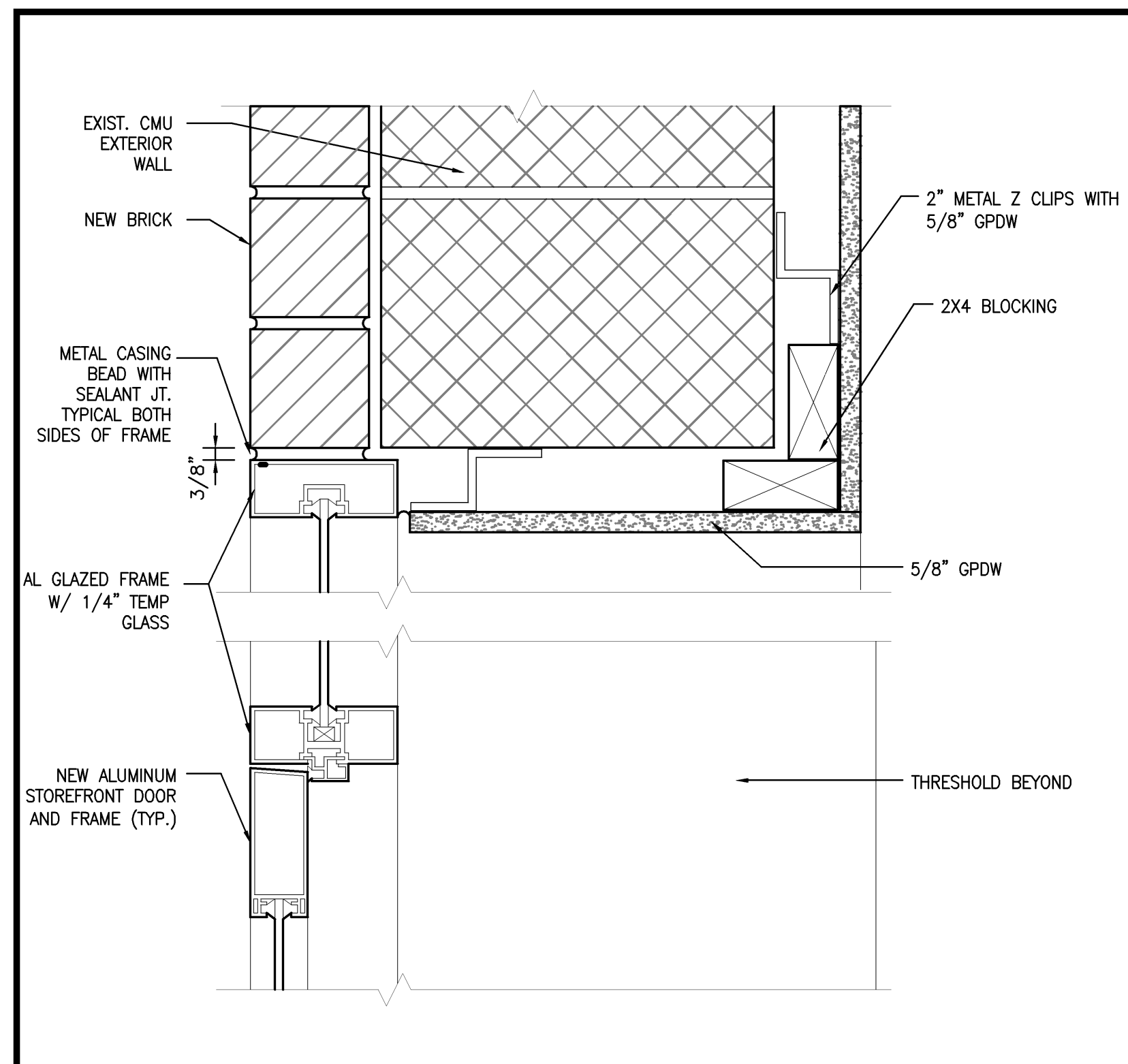


PLAN

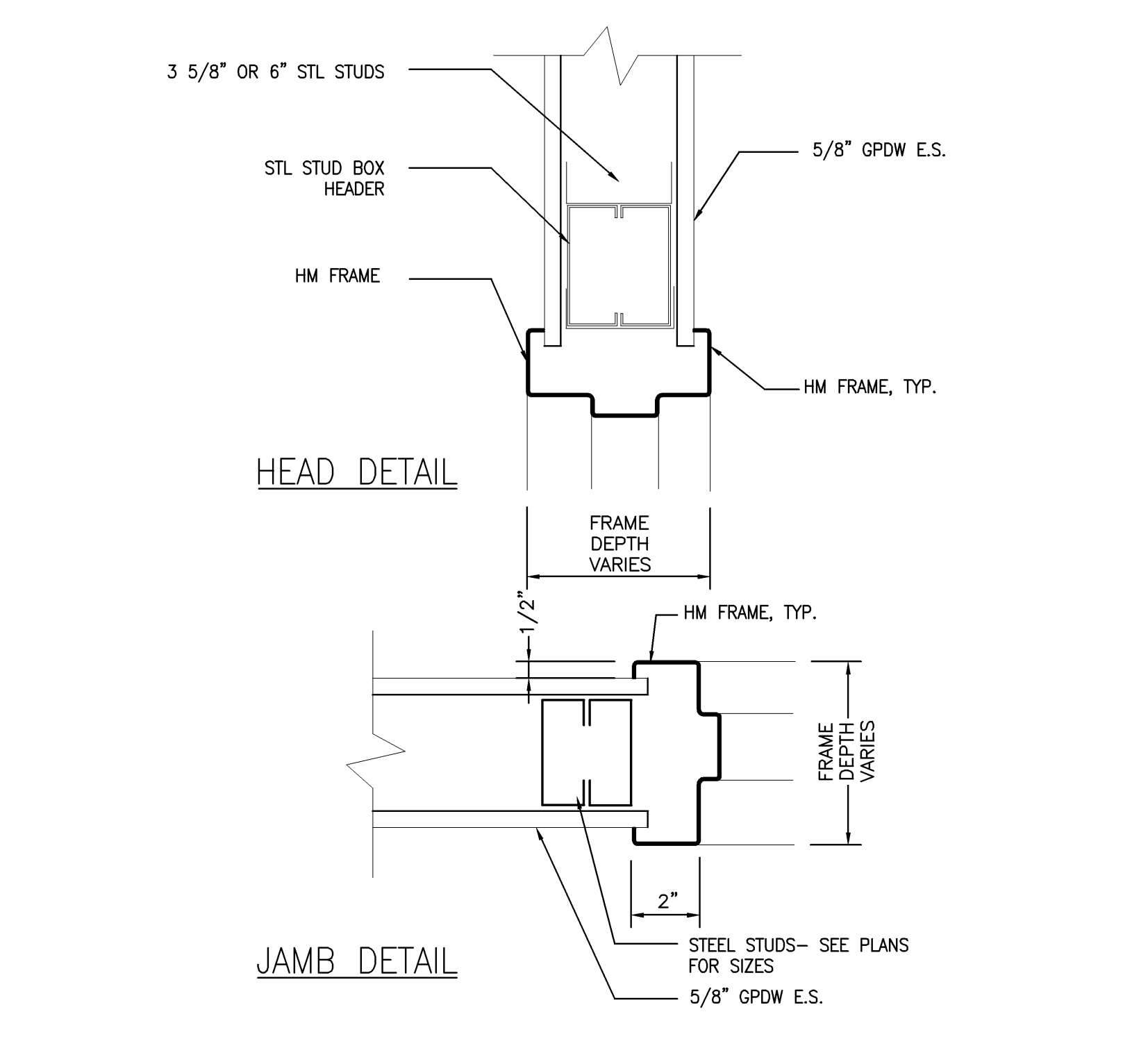
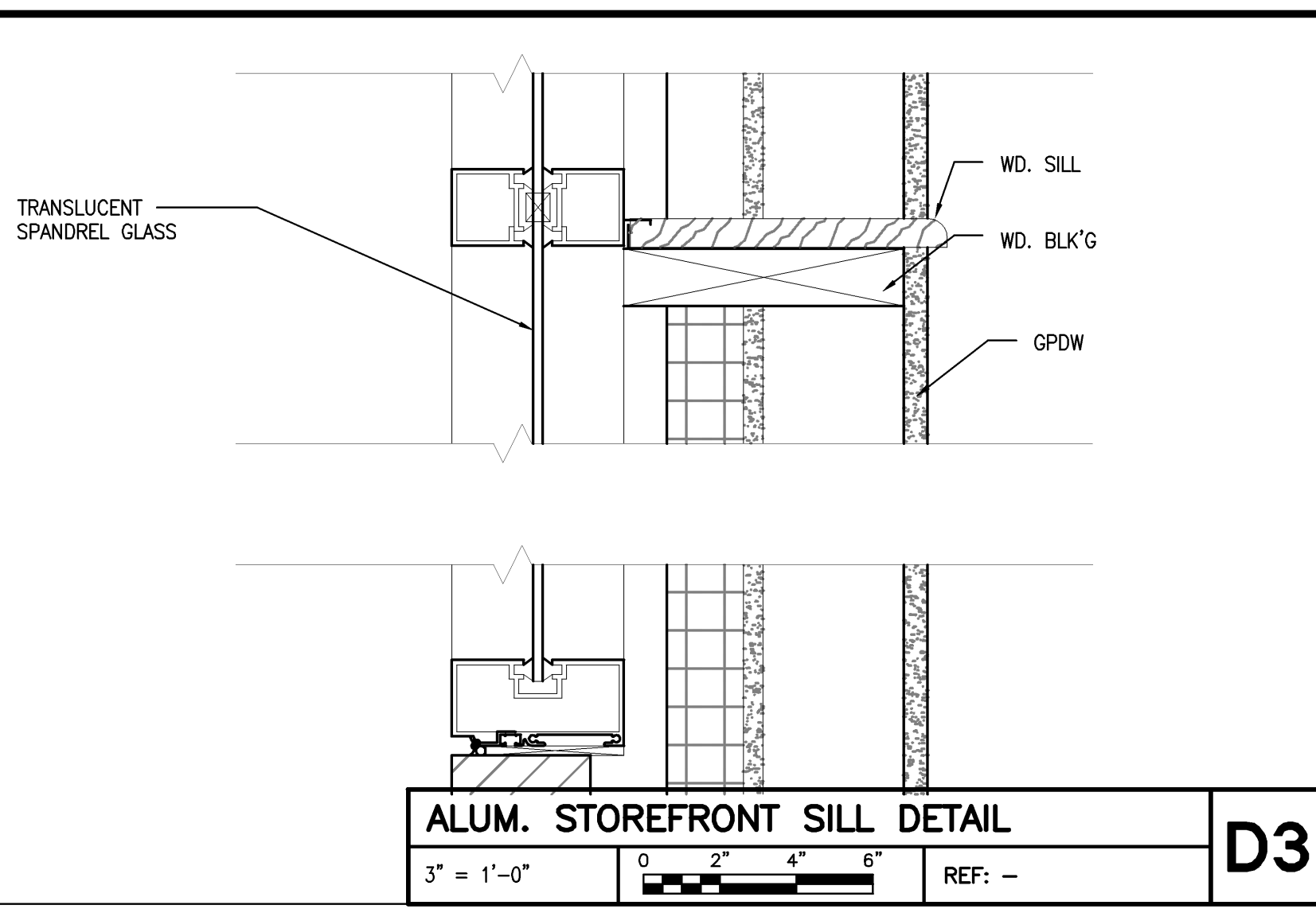


PLAN

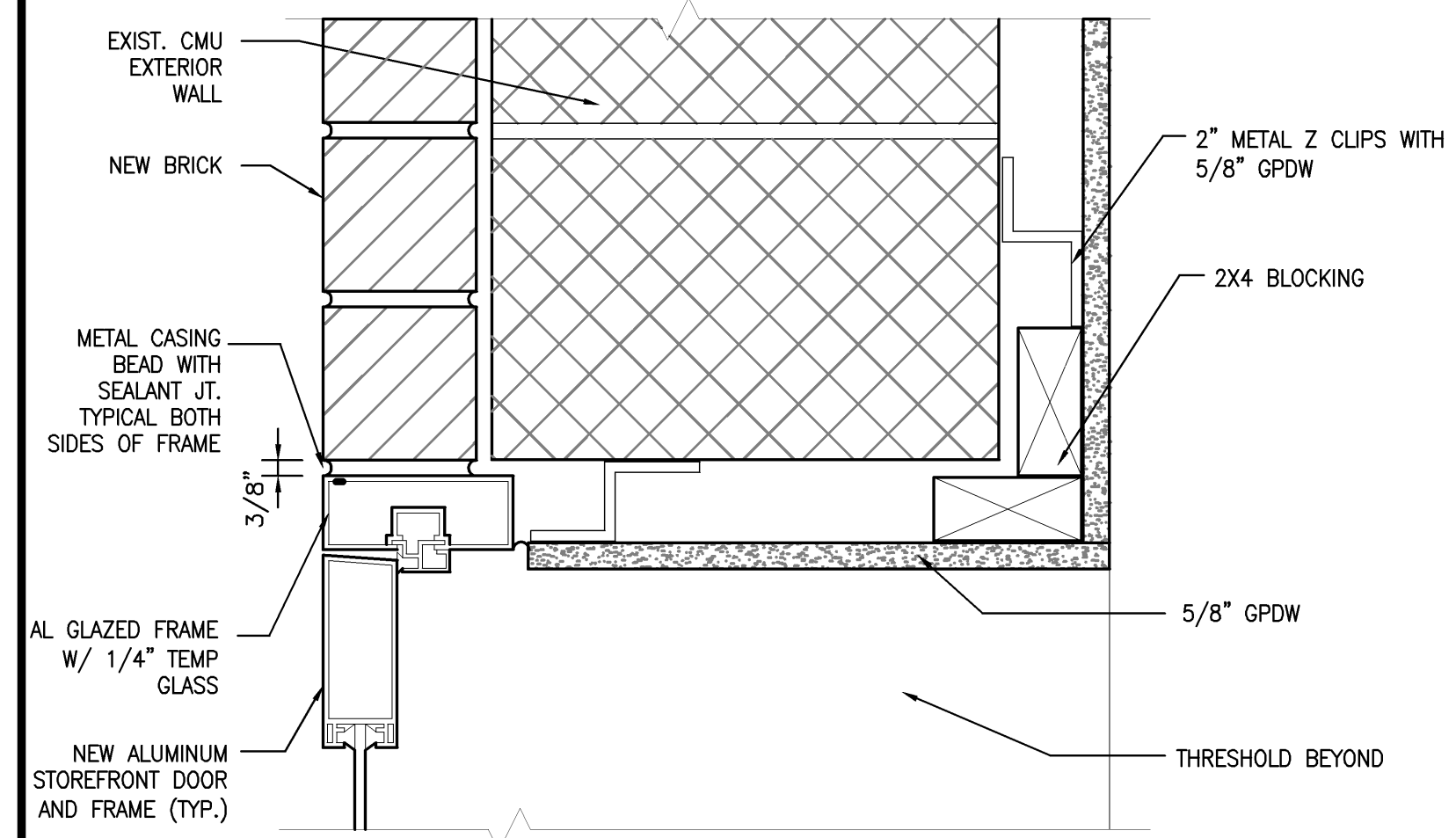
PLAN



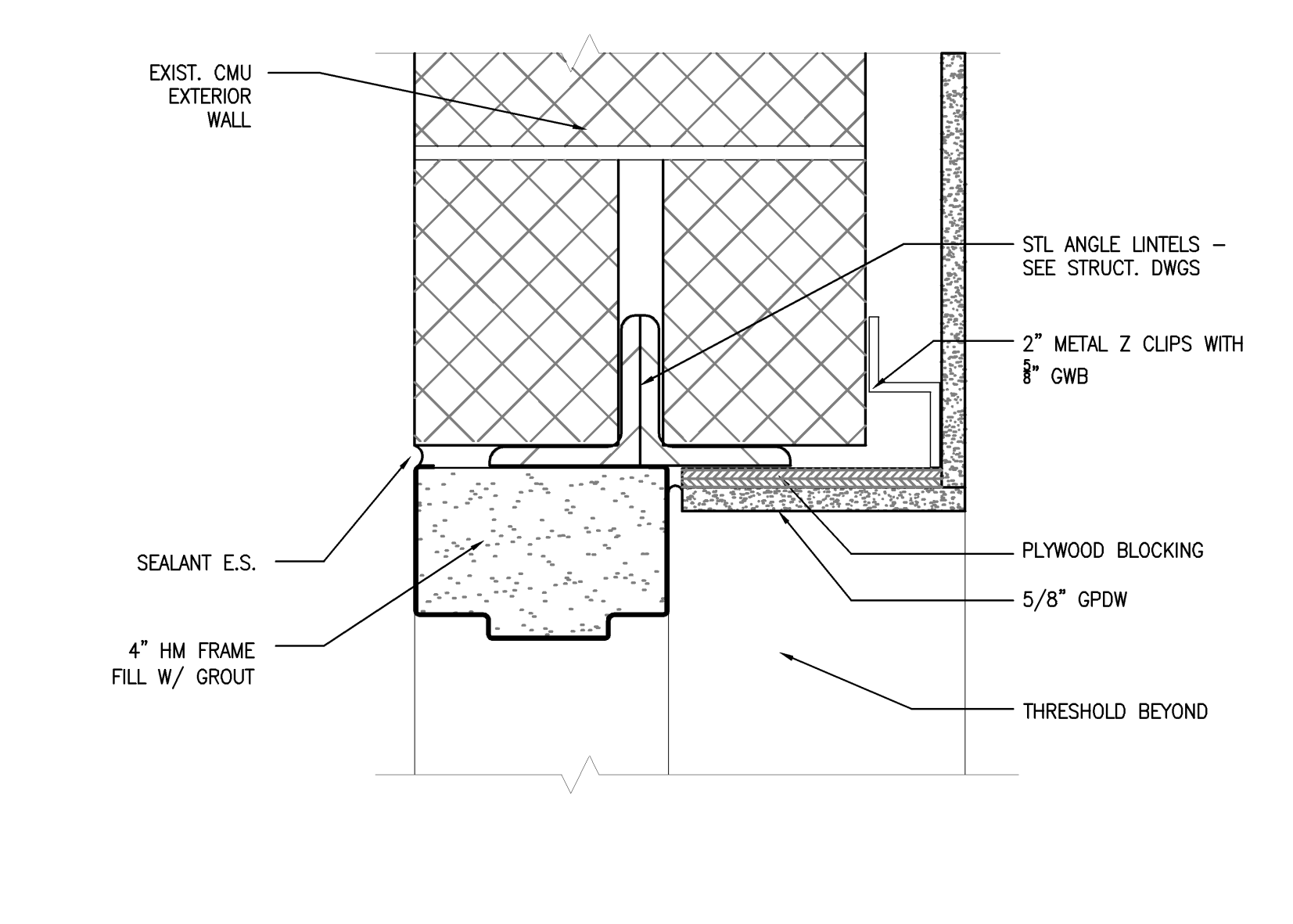
EXTERIOR ALUM. DOOR JAMB & SIDELIGHT
3" = 1'-0" REF: --



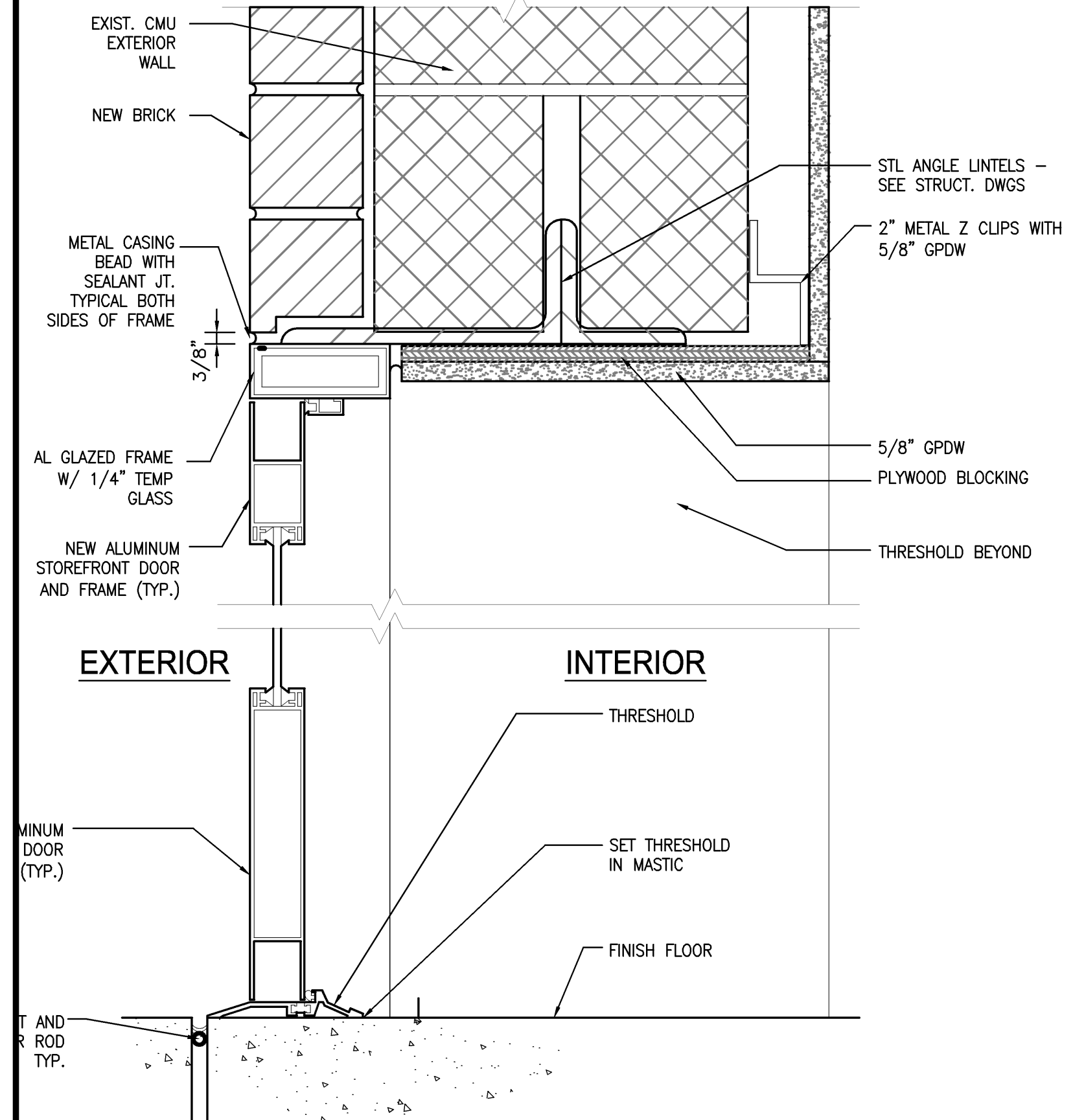
INTERIOR HOLLOW MTL. DOOR JAMB/HEAD
3" = 1'-0" REF: --



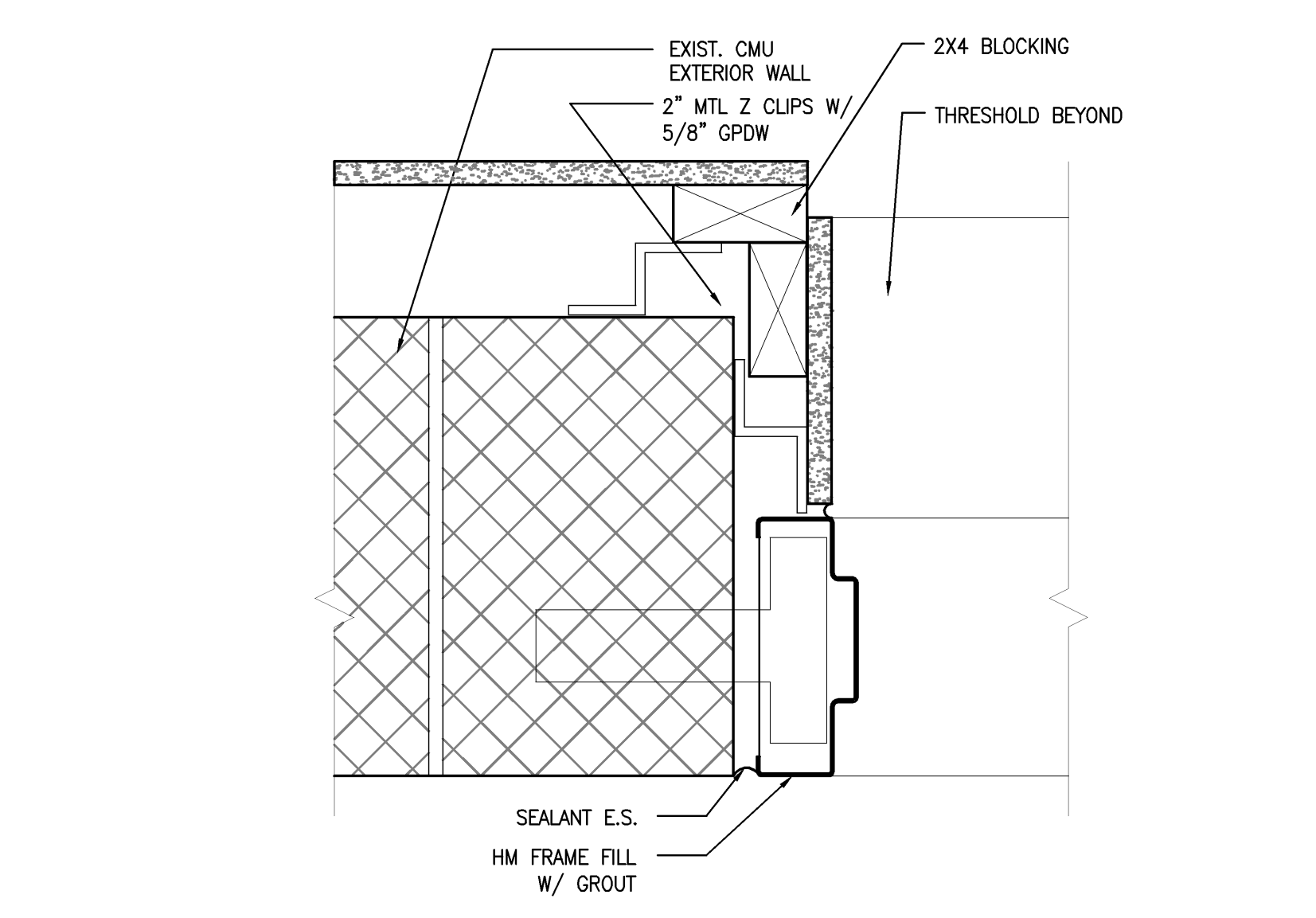
EXTERIOR ALUM. DOOR JAMB
3" = 1'-0" REF: --



EXTERIOR HOLLOW MTL. DOOR HEAD
3" = 1'-0" REF: --



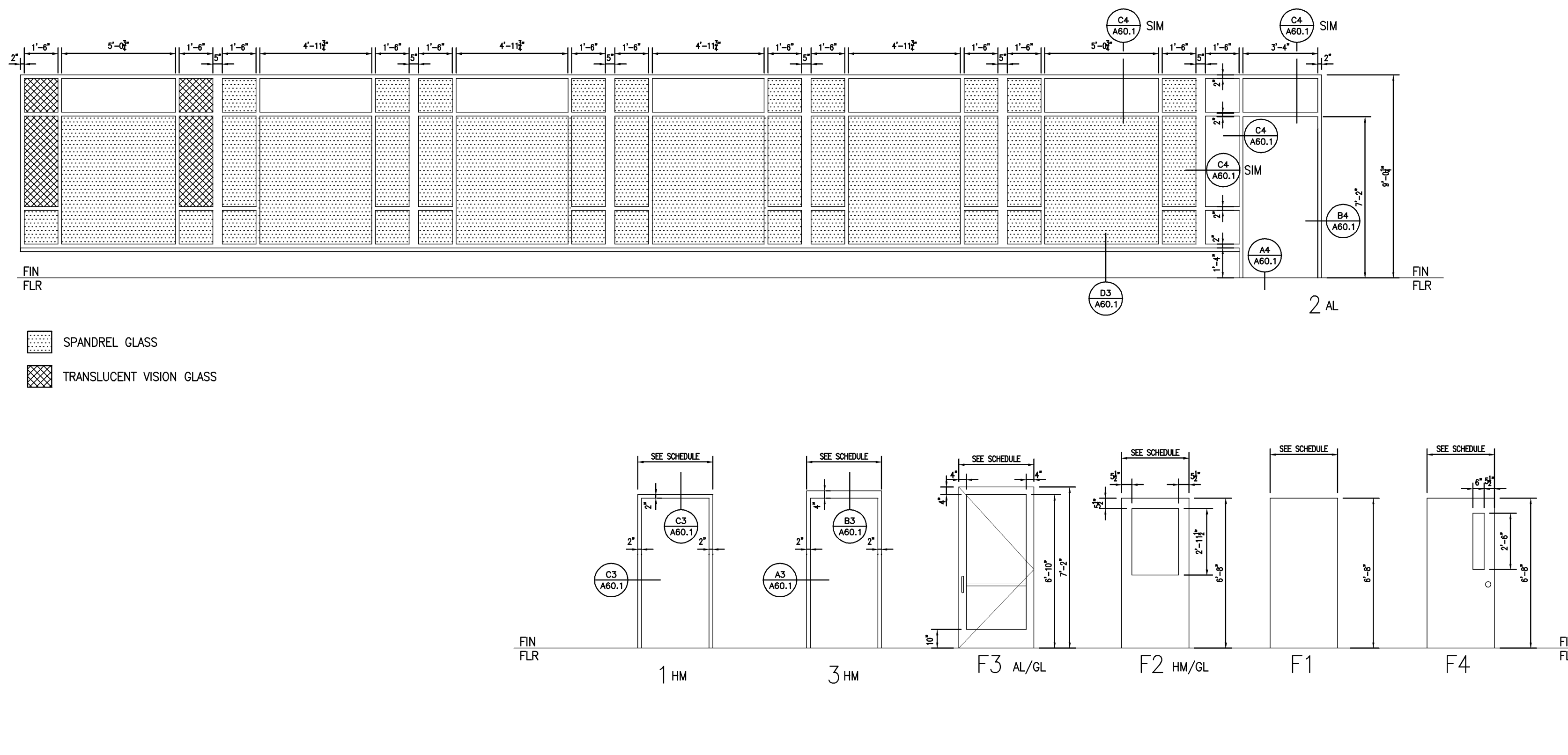
EXTERIOR ALUM. DOOR HEAD/SILL
3" = 1'-0" REF: --



EXTERIOR HOLLOW MTL. DOOR JAMB
3" = 1'-0" REF: --

Door & Frame Schedule

NO.	DOOR			FRAME		FIRE RATING LABEL	HW SET NO	NOTES					
	SIZE	MATL	TYPE	GLAZ	DETAIL								
	WD	HGT	THK		HEAD	JAMB							
101	3'-4"	7'-0"	1 3/4"	AL/GL	F3	TEMP	AL	2	A4/A60.1	B4/A60.1	---	---	Automatic opener - push paddle
102	3'-2"	7'-0"	1 3/4"	WD	F1	---	HM	1	C3/A60.1	C3/A60.1	---	---	
103	3'-2"	7'-0"	1 3/4"	WD	F1	---	HM	1	C3/A60.1	C3/A60.1	---	---	
104	3'-2"	7'-0"	1 3/4"	WD	F1	---	HM	1	C3/A60.1	C3/A60.1	---	---	
105	3'-2"	7'-0"	1 3/4"	WD	F4	TEMP	HM	1	C3/A60.1	C3/A60.1	---	---	
106	3'-2"	7'-0"	1 3/4"	WD	F1	---	HM	1	C3/A60.1	C3/A60.1	---	---	
107	3'-2"	7'-0"	1 3/4"	WD	F1	---	HM	1	C3/A60.1	C3/A60.1	---	---	
108	3'-2"	7'-0"	1 3/4"	WD	F1	---	HM	1	C3/A60.1	C3/A60.1	---	---	
109	3'-2"	7'-0"	1 3/4"	WD	F1	---	HM	1	C3/A60.1	C3/A60.1	---	---	
110	3'-2"	7'-0"	1 3/4"	WD	F1	---	HM	1	C3/A60.1	C3/A60.1	---	---	
111	3'-0"	7'-0"	1 3/4"	WD	F1	---	HM	1	C3/A60.1	C3/A60.1	---	---	
112	2'-6"	7'-0"	1 3/4"	WD	F1	---	HM	1	C3/A60.1	C3/A60.1	---	---	
113	3'-0"	7'-0"	1 3/4"	WD	F1	---	HM	1	C3/A60.1	C3/A60.1	---	---	
114	3'-2"	7'-0"	1 3/4"	WD	F1	---	HM	1	C3/A60.1	C3/A60.1	---	---	
115	3'-0"	7'-0"	1 3/4"	WD	F1	---	HM	1	C3/A60.1	C3/A60.1	---	---	
116	3'-0"	7'-0"	1 3/4"	WD	F1	---	HM	1	C3/A60.1	C3/A60.1	---	---	
117	3'-0"	7'-0"	1 3/4"	WD	F1	---	HM	1	C3/A60.1	C3/A60.1	---	---	
118	3'-0"	7'-0"	1 3/4"	WD	F1	---	HM	1	C3/A60.1	C3/A60.1	---	---	
119	3'-0"	7'-0"	1 3/4"	WD	F1	---	HM	1	C3/A60.1	C3/A60.1	---	---	
120	3'-0"	7'-0"	1 3/4"	WD	F1	---	HM	1	C3/A60.1	C3/A60.1	---	---	
122	3'-0"	7'-0"	1 3/4"	WD	F1	---	HM	1	C3/A60.1	C3/A60.1	---	---	
123	5'-0"	7'-0"	1 3/4"	WD	F1	---	HM	1	C3/A60.1	C3/A60.1	---	---	
124	3'-0"	7'-0"	1 3/4"	WD	F4	---	HM	1	C3/A60.1	B3/A60.1	---	---	
125	3'-0"	7'-0"	1 3/4"	WD	F1	---	HM	1	C3/A60.1	C3/A60.1	---	---	
126	3'-0"	7'-0"	1 3/4"	WD	F1	---	HM	1	C3/A60.1	C3/A60.1	---	---	
127	3'-0"	7'-0"	1 3/4"	WD	F1	---	HM	1	C3/A60.1	C3/A60.1	---	---	
128	3'-0"	7'-0"	1 3/4"	WD	F1	---	HM	1	C3/A60.1	C3/A60.1	---	---	
130	3'-2"	7'-0"	1 3/4"	WD	F1	---	HM	1	C3/A60.1	C3/A60.1	---	---	
133	3'-2"	7'-0"	1 3/4"	WD	F1	---	HM	1	C3/A60.1	C3/A60.1	---	---	
134	3'-2"	7'-0"	1 3/4"	WD	F1	---	HM	1	C3/A60.1	C3/A60.1	---	---	
135	3'-2"	7'-0"	1 3/4"	WD	F1	---	HM	1	C3/A60.1	C3/A60.1	---	---	
136	3'-2"	7'-0"	1 3/4"	WD	F1	---	HM	1	C3/A60.1	C3/A60.1	---	---	
137	3'-2"	7'-0"	1 3/4"	WD	F1	---	HM	1	C3/A60.1	C3/A60.1	---	---	
138	3'-2"	7'-0"	1 3/4"	WD	F1	---	HM	1	C3/A60.1	C3/A60.1	---	---	
139	3'-2"	7'-0"	1 3/4"	WD	F1	---	HM	1	C3/A60.1	C3/A60.1	---	---	
140	4'-0"	7'-0"	1 3/4"	HM	F2	---	HM	2	A3/A60.1	B3/A60.1	---	---	Card reader
141	2'-8"	7'-0"	1 3/4"	WD	F1	---	HM	1	C3/A60.1	C3/A60.1	---	---	
142	3'-2"	7'-0"	1 3/4"	WD	F1	---	HM	1	C3/A60.1	C3/A60.1	---	---	
143	3'-0"	7'-0"	1 3/4"	HM	F2	---	HM	2	A3/A60.1	B3/A60.1	---	---	
144	3'-2"	7'-0"	1 3/4"	WD	F1	---	HM	1	C3/A60.1	C3/A60.1	---	---	
145	3'-0"	7'-0"	1 3/4"	WD	F1	---	HM	1	C3/A60.1	C3/A60.1	---	---	
146A	3'-0"	7'-0"	1 3/4"	WD	F4	---	HM	1	C3/A60.1	C3/A60.1	---	---	
146B	3'-0"	7'-0"	1 3/4"	WD	F4	---	HM	1	C3/A60.1	C3/A60.1	---	---	
148	5'-0"	7'-0"	1 3/4"	WD	F1	---	HM	1	C3/A60.1	B3/A60.1	---	---	
149	3'-2"	7'-0"	1 3/4"	WD	F1	---	HM	1	C3/A60.1	C3/A60.1	---	---	
153	3'-2"	7'-0"	1 3/4"	WD	F1	---	HM	1	C3/A60.1	C3/A60.1	---	---	
154	3'-2"	7'-0"	1 3/4"	WD	F1	---	HM	1	C3/A60.1	C3/A60.1	---	---	
155	3'-2"	7'-0"	1 3/4"	WD	F1	---	HM	1	C3/A60.1	C3/A60.1	---	---	
156	3'-2"	7'-0"	1 3/4"	WD	F1	---	HM	1	C3/A60.1	C3/A60.1	---	---	
157	3'-2"	7'-0"	1 3/4"	WD	F1	---	HM	1	C3/A60.1	C3/A60.1	---	---	
159	3'-2"	7'-0"	1 3/4"	WD	F1	---	HM	1	C3/A60.1	C3/A60.1	---	---	
160	3'-0"	7'-0"	1 3/4"	SS	F4	---	SS	3	XX/A60.1	XX/A60.1	---	---	G.C. To re-locate exist. S.S. Door & frame
161	3'-0"	7'-0"	1 3/4"	WD	F1	---	HM	1	C3/A60.1	C3/A60.1	---	---	
162	3'-0"	7'-0"	1 3/4"	WD	F1	---	HM	1	C3/A60.1	C3/A60.1	---	---	
163	3'-0"	7'-0"	1 3/4"	WD	F1	---	HM	1	C3/A60.1	C3/A60.1	---	---	
164	3'-2"	7'-0"	1 3/4"	WD	F1	---	HM	1	C3/A60.1	C3/A60.1	---	---	
165	3'-0"	7'-0"	1 3/4"	WD	F1	---	HM	1	C3/A60.1	C3/A60.1	---	---	
166	2'-8"	7'-0"	1 3/4"	WD	F1	---	HM	1	C3/A60.1	C3/A60.1	---	---	



DOOR & FRAME SCHEDULE
NTS REF: --

DOOR & FRAME ELEVATIONS
1/4" = 1'-0" REF: --

HARRIMAN
Architects + Engineers
One Auburn Business Park
Auburn, Maine 04219
207.784.5100 tel
207.782.3017 fax
66 Pearl St., Suite 301
Beverly, Maine 04101
207.775.0053 tel
207.775.0460 fax
www.harriman.com
© 2007

Project Title
MERCY HEALTH CENTER
WESTGATE PLAZA
PORTLAND, MAINE
HA Project No. **07182**
Key Plan

07/08/08	ADDENDUM	
07/01/08	ISSUED FOR PERMIT	
06/26/08	100% REVIEW SET	
Mark	Date	Description
Issue	Dates	

Drawing Title
DOOR & FRAME SCHEDULE, ELEVATIONS & DETAILS
PA / PE: PSC Drawn By: JGJ
Drawing Number
A60.1

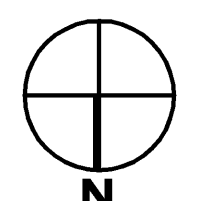
ROOM FINISH LEGEND

PT1	PAINT - TBD
PT2	PAINT - TBD
PT3	PAINT - TBD
PT4	PAINT - TBD
PT5	PAINT - TBD
PT6	PAINT - TBD
PT7	PAINT - TBD
FRP	FIBERGLASS REINFORCED PANELS
ACT1	ACOUSTICAL CEILING PANELS
ACT2	MOISTURE RETARDENT CEILING PANELS
VCT	VINYL COMPOSITION TILE - TBD
VB	VINYL BASE - TBD
EPX	EPOXY
CPT1	CARPET - TBD
CPT2	WALK-OFF MAT - TBD

Room Finish Schedule

ROOM NO	ROOM NAME	FLOOR	BASE	WALLS				CEILING		NOTES
				N	S	E	W	MATL	HEIGHT	
101	ENTRY	CPT/CPT2	VB	PT1	PT1	PT5	PT1	ACT1	8'-0"	CPT2 IS WALK-OFF/PEDIMAT 4'X10'
102	MEN	VCT	VB	PT1	PT1	PT1	PT4	ACT1	9'-0"	---
103	WOMEN	VCT	VB	PT1	PT1	PT1	PT4	ACT1	9'-0"	---
104	WAITING	CPT	VB	PT1	PT1	PT5	PT1	ACT1/GPDW	8'-6"	CLNG HT. VARIES - SEE A70.1
105	CORR.	CPT	VB	PT1	PT1	PT1	PT1	ACT1	8'-6"	---
106	INTERVIEW	VCT	VB	PT1	PT1	PT1	PT2	ACT1	8'-0"	---
107	EXAM ROOM	VCT	VB	PT1	PT1	PT1	PT2	ACT1	9'-0"	---
108	EXAM ROOM	VCT	VB	PT1	PT1	PT1	PT2	ACT1	8'-0"	---
109	EMG EXAM ROOM	VCT	VB	PT1	PT1	PT2	PT1	ACT1	8'-0"	---
110	EXAM ROOM	VCT	VB	PT1	PT1	PT2	PT1	ACT1	8'-0"	---
111	DR. HULL'S OFFICE	CPT	VB	PT1	PT1	PT3	PT1	ACT1	8'-0"	---
112	STOR.	VCT	VB	PT1	PT1	PT1	PT1	ACT1	8'-0"	---
113	N.P. OFFICE	CPT	VB	PT1	PT1	PT3	PT1	ACT1	8'-0"	---
114	SPECIMEN TLT.	VCT	VB	PT1	PT4	PT1	PT1	ACT1	8'-0"	---
115	SOIL UTILITY	VCT	VB	PT1	PT2	PT1	PT1	ACT1	8'-0"	---
116	SUPPORT OFFICE	CPT	VB	PT1	PT3	PT1	PT1	ACT1	8'-0"	---
117	RECEPTION/ BUSINESS OFFICE	CPT	VB	PT1	PT1	PT3	PT1	ACT1	8'-0"	---
118	STOR.	VCT	VB	PT1	PT1	PT1	PT1	ACT1	8'-0"	---
118	STAFF WOMEN	VCT	VB	PT4	PT1	PT1	PT1	ACT1	8'-0"	---
119	MEDICAL RECORDS	CPT	VB	PT1	PT1	PT3	PT1	ACT1	8'-0"	---
119	STAFF MEN	VCT	VB	PT4	PT1	PT1	PT1	ACT1	8'-0"	---
120	OPERATOR OFFICE	CPT	VB	PT1	PT3	PT1	PT1	ACT1	8'-0"	---
122	OFFICE SUPERVISOR	CPT	VB	PT1	PT3	PT1	PT1	ACT1	8'-0"	---
123	MECH.	VCT	VB	PT1	PT1	PT1	PT1	ACT1	8'-0"	---
124	CORRIDOR	CPT	VB	PT1	PT1	PT1	PT1	ACT1	9'-0"	---
125	STAFF LOUNGE	VCT	VB	PT1	PT1	PT3	PT1	ACT1	8'-0"	---
126	JAN.	VCT	VB	PT1	PT1	PT1	PT1	ACT1	8'-0"	---
127	REHAB SUPERVISOR	CPT	VB	PT1	PT1	PT1	PT3	ACT1	8'-0"	---
128	SOIL STOR.	VCT	VB	PT1	PT1	PT1	PT1	ACT1	8'-0"	---
129	CORR.	CPT	VB	PT1	PT1	PT5	PT1	ACT1	8'-6"	---
130	TREATMENT	VCT	VB	PT1	PT1	PT2	PT1	ACT1	8'-0"	---
131	TREATMENT	VCT	VB	PT1	PT1	PT1	PT2	ACT1	8'-0"	---
132	TREATMENT	VCT	VB	PT1	PT1	PT2	PT1	ACT1	8'-0"	---
133	TREATMENT	VCT	VB	PT1	PT1	PT2	PT2	ACT1	8'-0"	---
134	TREATMENT	VCT	VB	PT1	PT1	PT2	PT1	ACT1	8'-0"	---
135	TREATMENT	VCT	VB	PT1	PT1	PT1	PT2	ACT1	8'-0"	---
136	TREATMENT	VCT	VB	PT1	PT1	PT2	PT1	ACT1	8'-0"	---
137	TREATMENT	VCT	VB	PT1	PT1	PT1	PT2	ACT1	8'-0"	---
138	TREATMENT	VCT	VB	PT1	PT1	PT2	PT1	ACT1	8'-0"	---
139	TREATMENT/OT	VCT	VB	PT1	PT1	PT2	PT1	ACT1	8'-0"	---
140	CORR.	CPT	VB	PT1	PT7	PT1	PT1	ACT1	8'-6"	---
141	STOR.	VCT	VB	PT1	PT1	PT1	PT1	ACT1	9'-0"	---
142	FUNCTIONAL RESTORATION	RT	VB	PT1	PT7	PT7	PT1	PT	14'-0"	CLNG OPEN TO STRUCTURE ABOVE
143	CORR.	CPT	VB	---	PT1	PT7	PT1	ACT1	8'-6"	HANDRAIL @ EAST WALL
144	HOT/COLD PACK PREP	VCT	VB	PT1	PT1	PT1	PT1	ACT1	8'-0"	FLOOR DRAIN
145	CLEAN STOR.	VCT	VB	PT1	PT1	PT1	PT1	ACT1	8'-0"	---
146	DOCUMENTATION	CPT	VB	PT1	PT1	PT	PT3	ACT1	8'-0"	---
147	GYM	RT	VB	PT1	PT7	PT7	PT1	PT	14'-0"	CLNG OPEN TO STRUCTURE ABOVE
148	STOR.	VCT	VB	PT1	PT1	PT1	PT1	ACT1	9'-0"	---
149	TREATMENT	VCT	VB	PT1	PT2	PT1	PT1	ACT1	8'-0"	---
150	TREATMENT	VCT	VB	PT2	PT1	PT1	PT1	ACT1	8'-0"	---
151	TREATMENT	VCT	VB	PT1	PT2	PT1	PT1	ACT1	8'-0"	---
152	CORR.	EPX	VB	PT1	PT1	PT1	PT1	ACT1	9'-0"	---
153	WOMEN	VCT	VB	PT1	PT1	PT1	PT4	ACT1	8'-0"	---
154	MEN	VCT	VB	PT1	PT1	PT4	PT1	ACT1	8'-0"	---
155	SHOWER	EPX	EPX	FRP/PT1	FRP/PT1	FRP/PT1	FRP/PT1	ACT2	8'-0"	BLOCKING FOR FOLD DOWN SEAT
156	SHOWER	EPX	EPX	FRP/PT1	FRP/PT1	FRP/PT1	FRP/PT1	ACT2	8'-0"	BLOCKING FOR FOLD DOWN SEAT
157	SHOWER	EPX	EPX	FRP/PT1	FRP/PT1	FRP/PT1	FRP/PT1	ACT2	8'-0"	BLOCKING FOR FOLD DOWN SEAT
158	LKRS	VCT	VB	PT1	PT2	PT	---	ACT1	8'-0"	---
159	SHOWER	EPX	EPX	FRP/PT1	FRP/PT1	FRP/PT1	FRP/PT1	ACT2	8'-0"	BLOCKING FOR FOLD DOWN SEAT
160	THERAPY POOL	EPX	EPX	FRP/PT1	FRP/PT1	FRP/PT1	FRP/PT1	ACT2	9'-0"	---
161	POOL EQUIP	EPX	EPX	FRP/PT1	FRP/PT1	FRP/PT1	FRP/PT1	ACT2	9'-0"	---
162	ELEC/TEL/ DATA	VCT	VB	PT1	PT1	PT1	PT1	ACT1	9'-0"	---
163	BILLING CODING	CPT	VB	PT1	PT3	PT1	PT1	ACT1	8'-0"	---
164	CONF. ROOM	CPT	VB	PT6	PT1	PT1	PT1	ACT1	8'-0"	PROVIDE 12 LINEAR FEET OF BLOCKING ON WEST WALL
165	ELEC	VCT	VB	PT1	PT1	PT1	PT1	NONE	9'-0"	---
166	POOL STOR.	EPX	FRP	FRP/PT1	FRP/PT1	FRP/PT1	FRP/PT1	ACT2	9'-0"	---

HARRIMAN
Architects + Engineers
One Auburn Business Park
Auburn, Maine 04210
207.784.5100 tel
207.782.3017 fax
56 Pearl St., Suite 301
Auburn, Maine 04101
207.775.0053 tel
207.775.0460 fax
www.harriman.com
© 2007

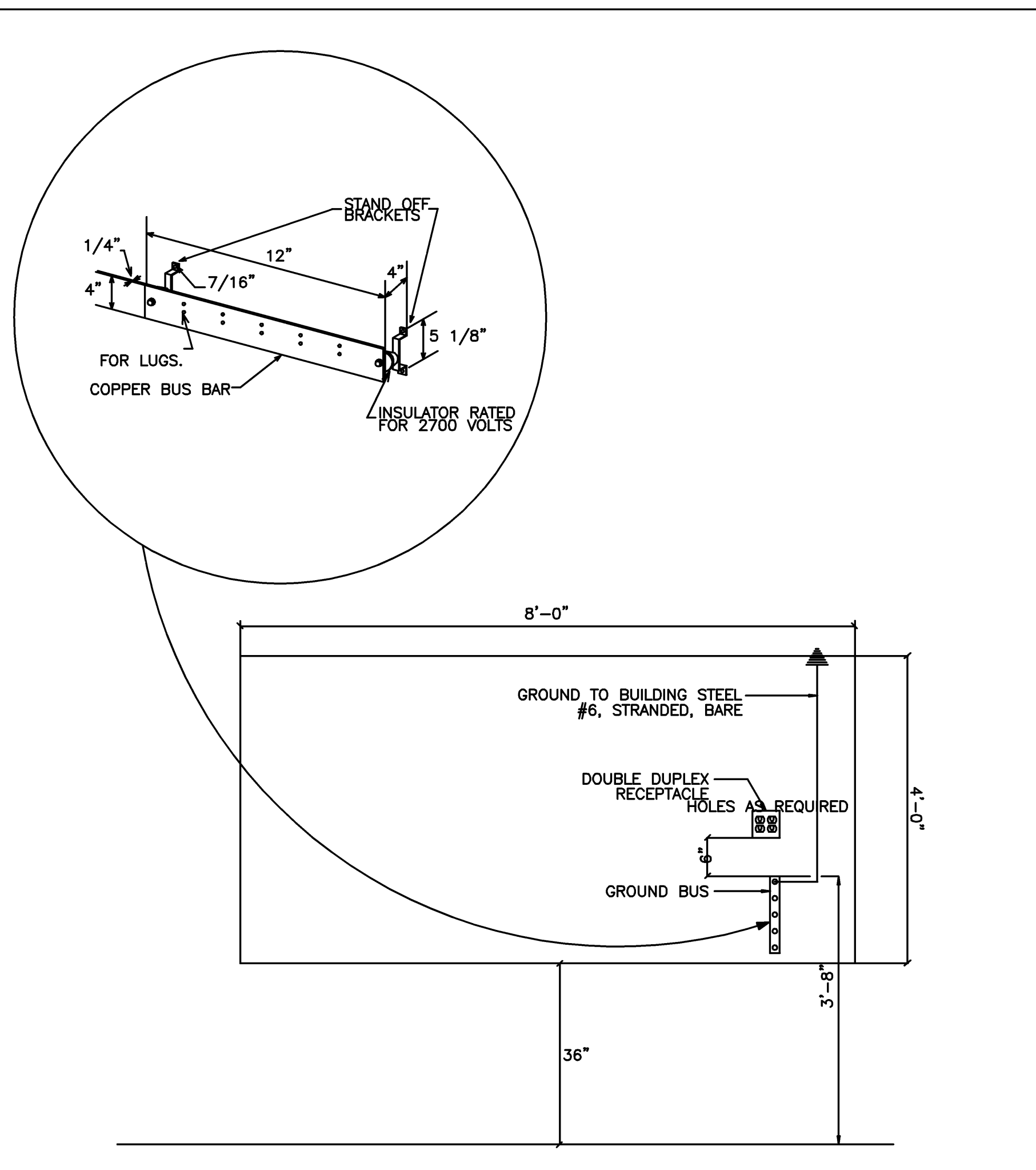
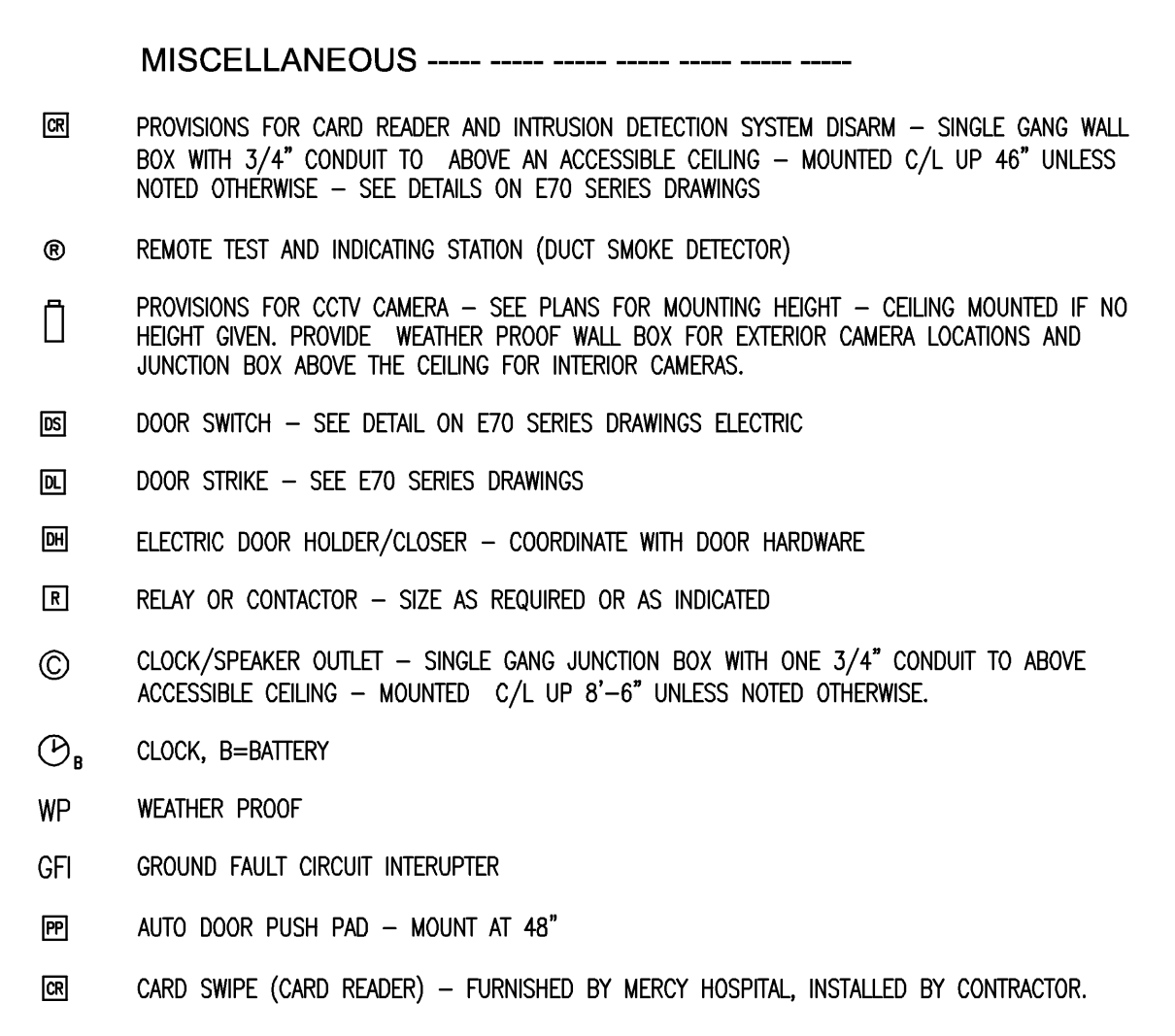
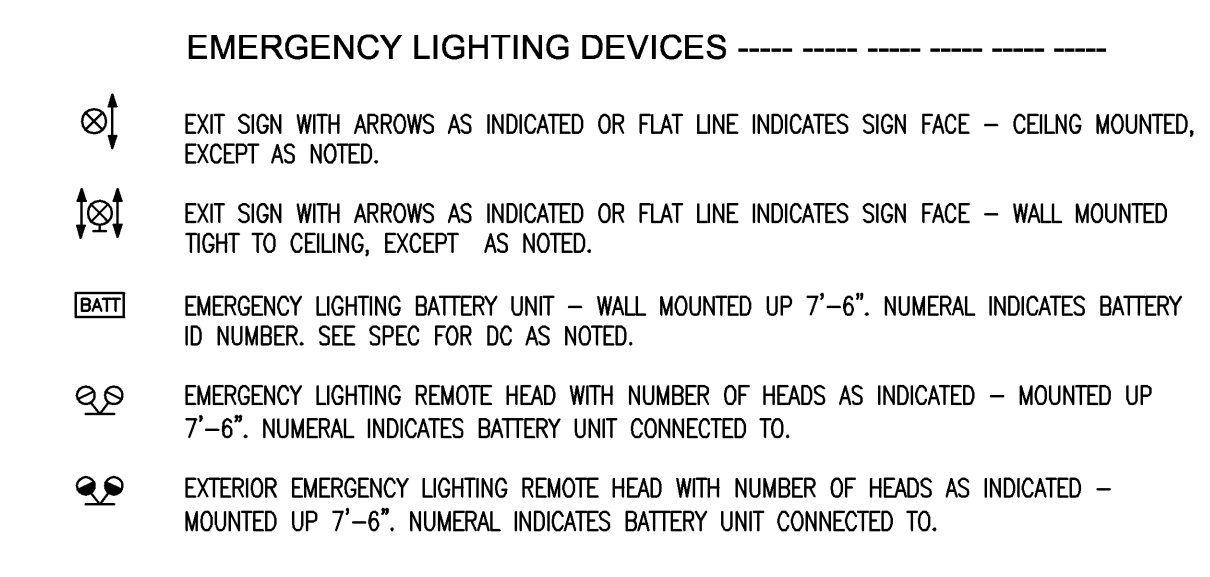
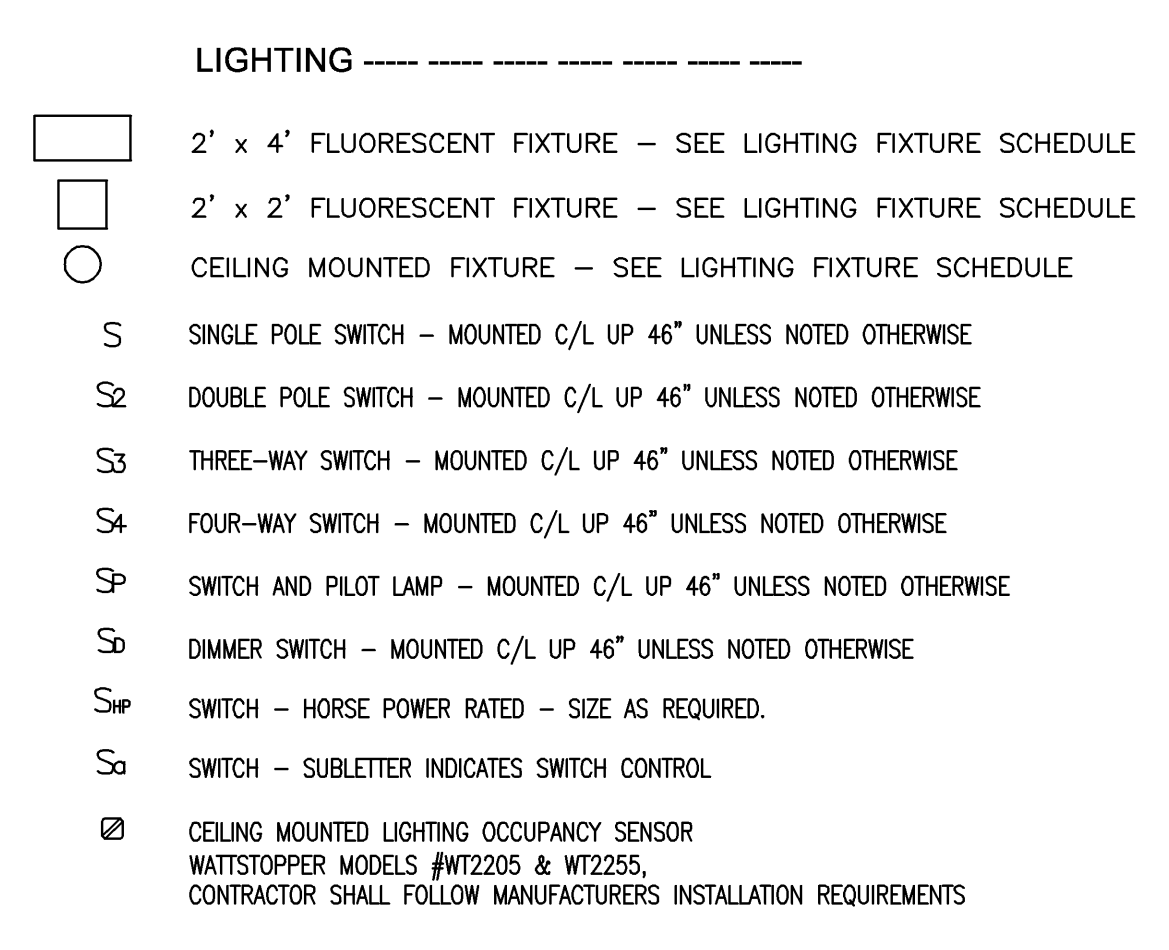
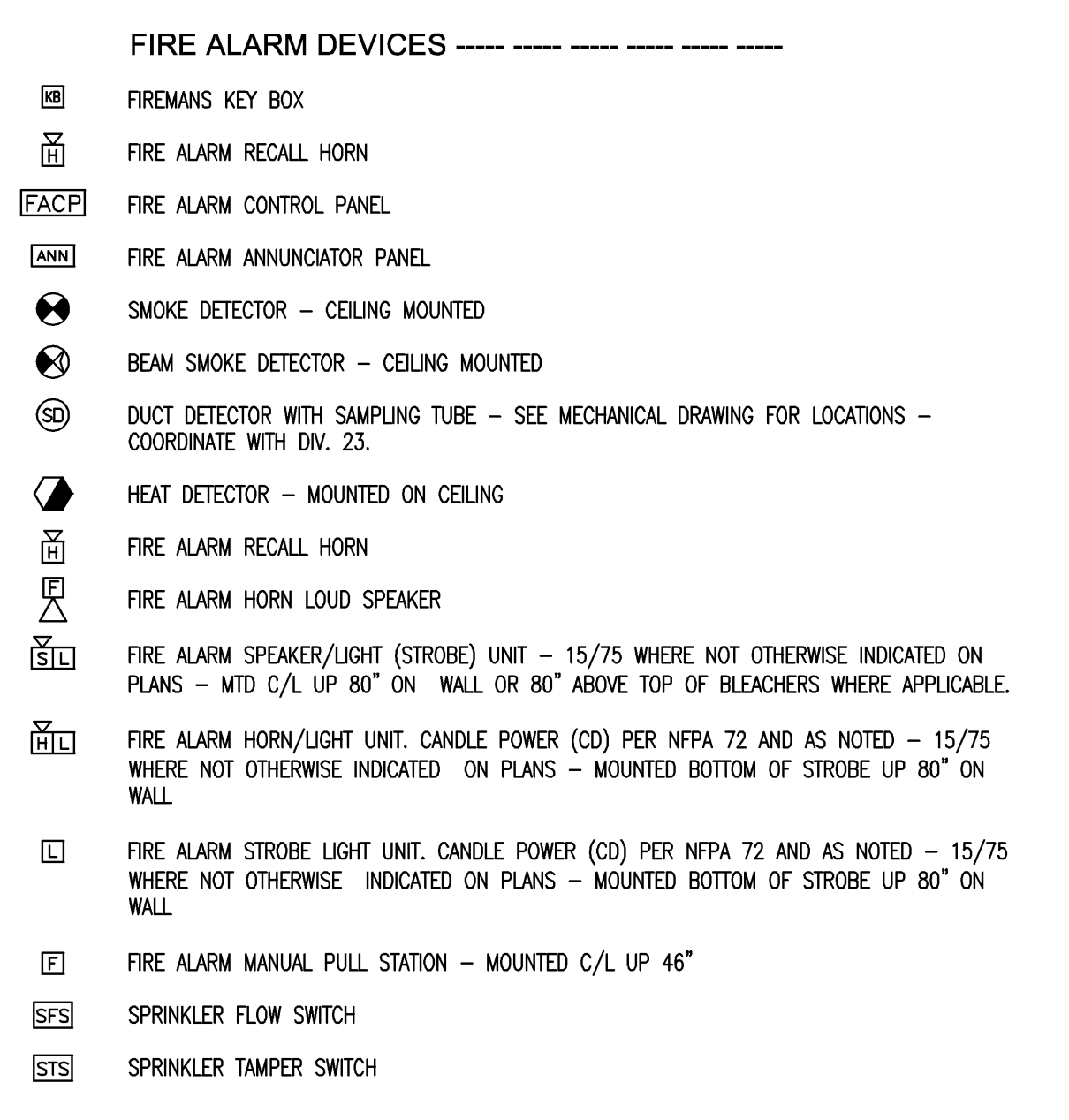
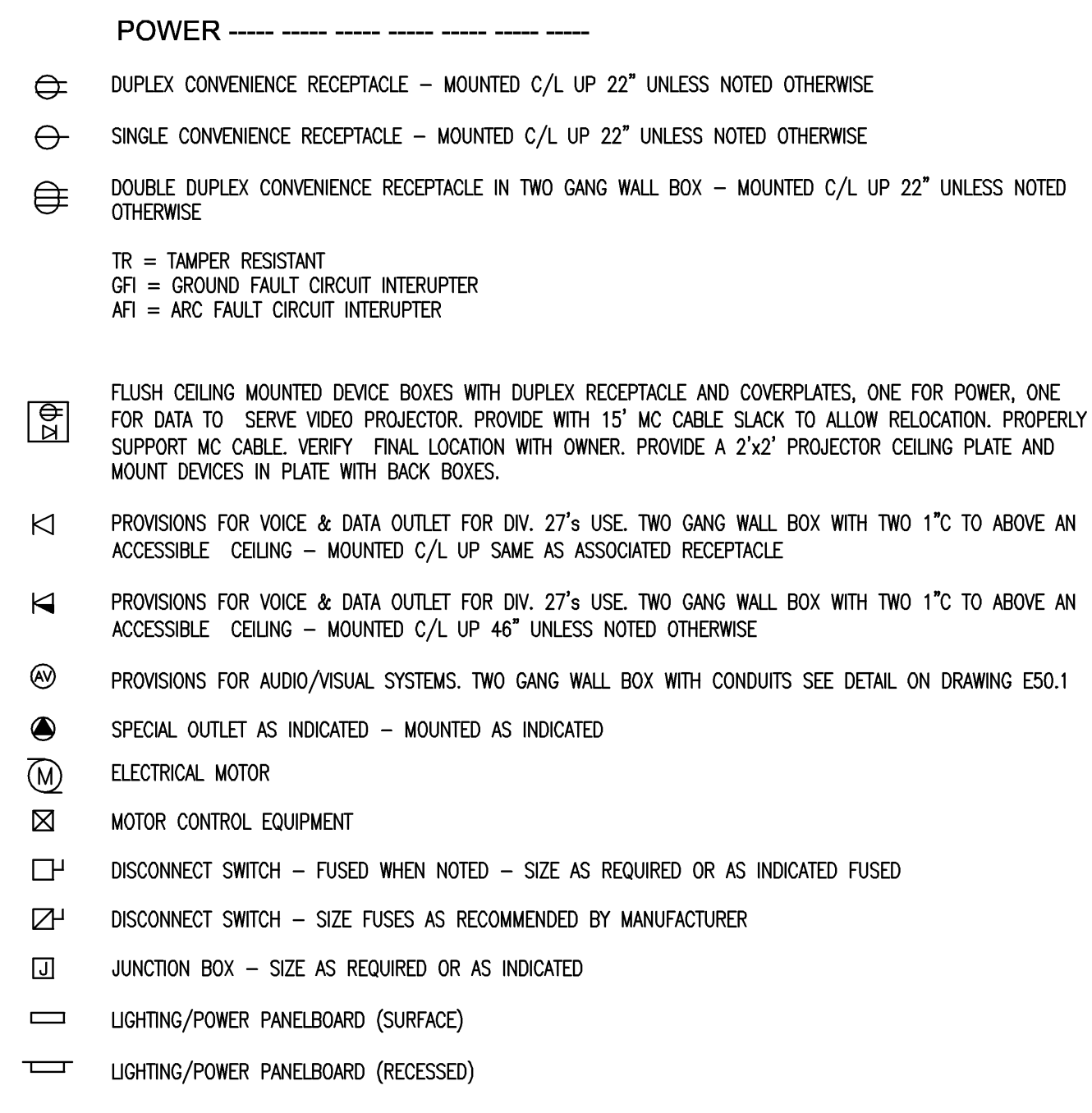
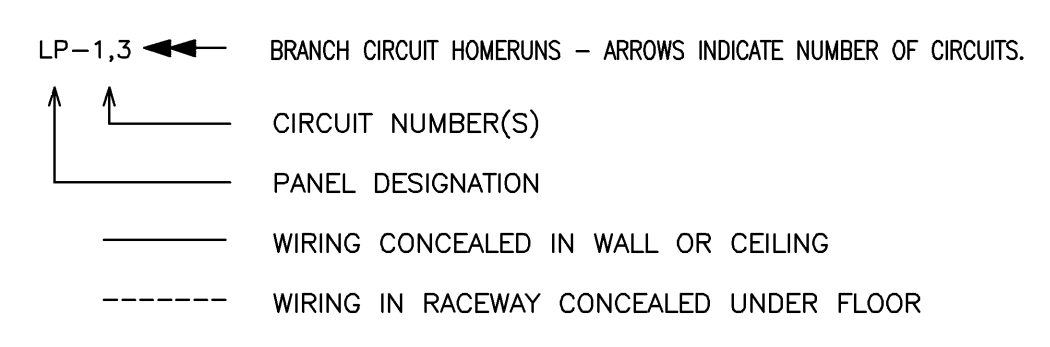
Project Title
MERCY HEALTH CENTER WESTGATE PLAZA
PORTLAND, MAINE
HA Project No. **07182**
Key Plan


07/08/08	ADDENDUM	
07/01/08	ISSUED FOR PERMIT	
06/26/08	100% REVIEW SET	
Mark	Date	Description
Issue Dates		

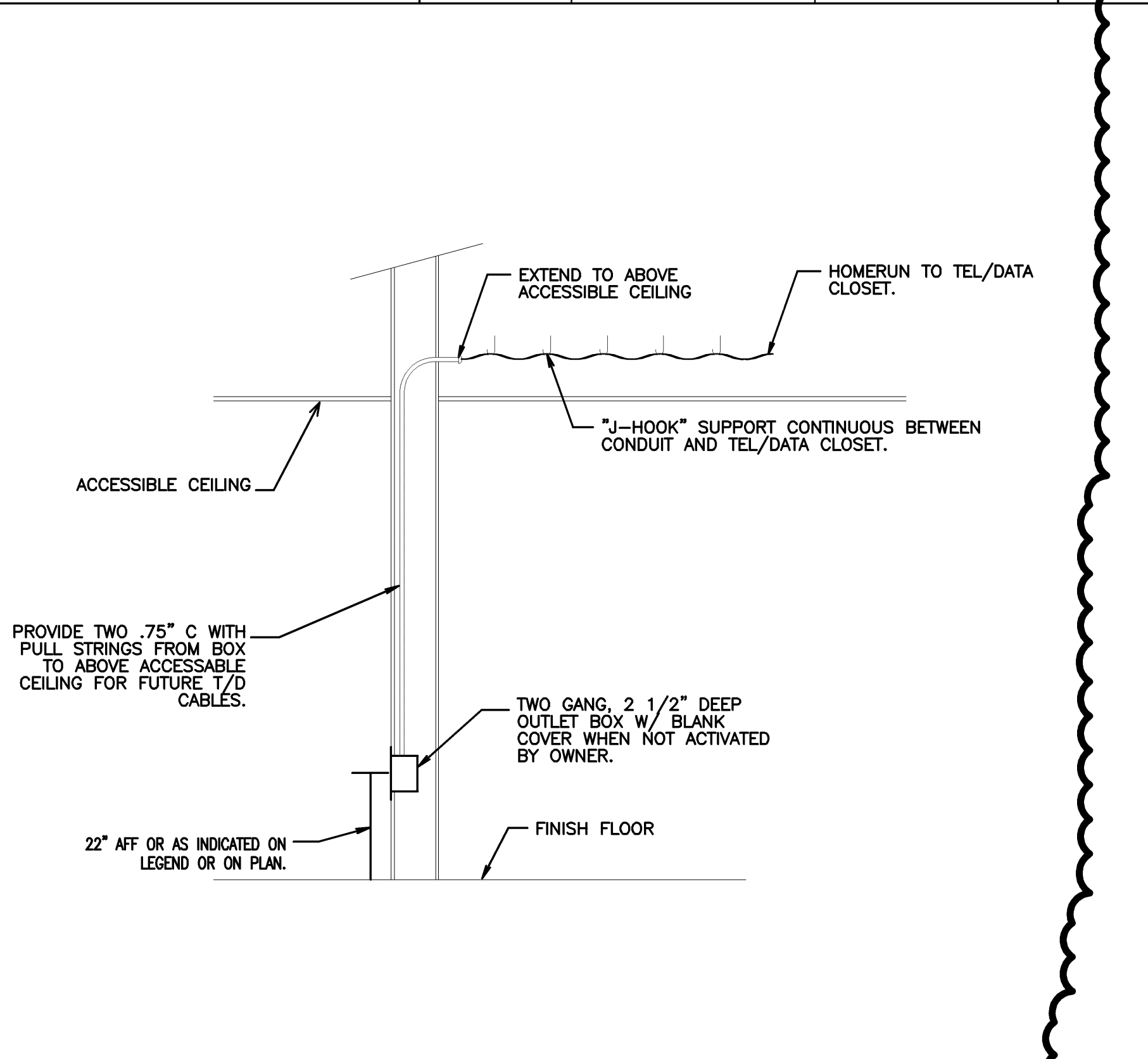
Drawing Status

Drawing Title
ROOM FINISH SCHEDULE
PA / PE: PSC Drawn By: JGJ
Drawing Number
A61.1

LEGEND



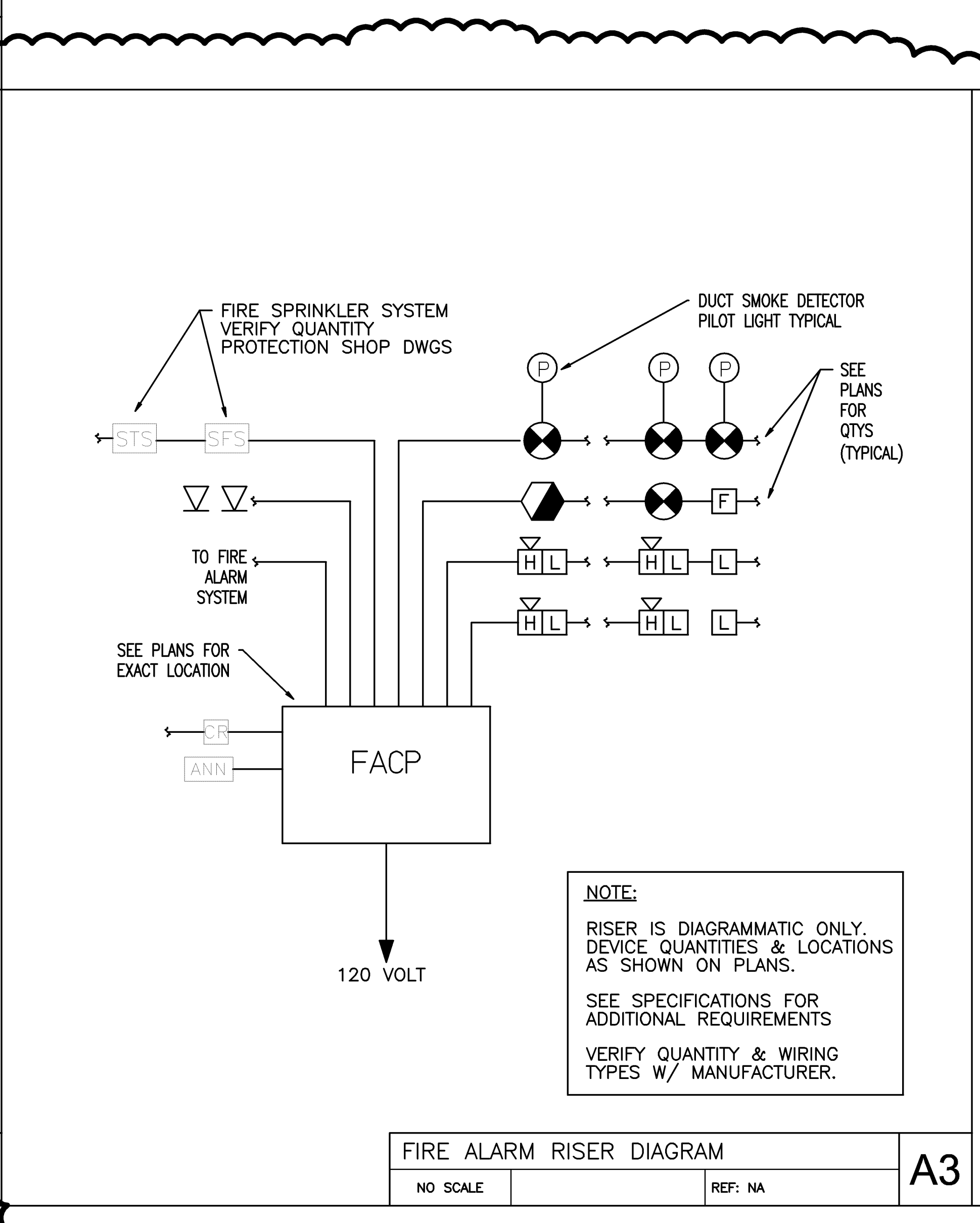
TEL/DATA BACKBOARD - TYPICAL
SCALE: NONE REF: NA



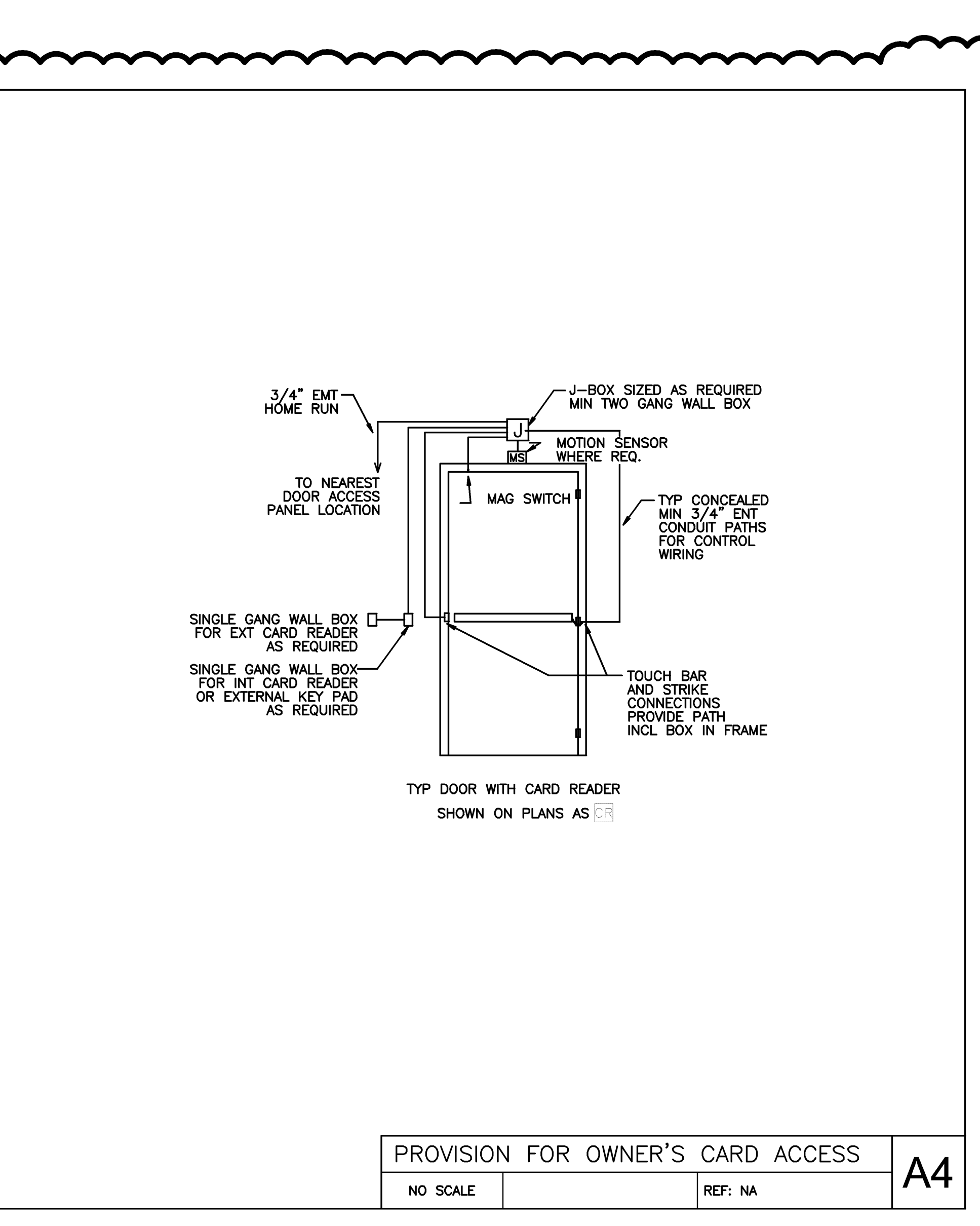
NOTES:

- TEL/DATA OUTLET BOX AND "J-HOOKS" TO BE PROVIDED BY ELECTRICAL CONTRACTOR FOR USE BY THE TEL/DATA CONTRACTOR.
- CABLE BUNDLES SHALL BE LIMITED TO A MAXIMUM OF 12 CABLES PER BUNDLE.

TYPICAL PROVISIONS FOR VOICE/DATA
SCALE: NONE REF: NA



FIRE ALARM RISER DIAGRAM
NO SCALE REF: NA



PROVISION FOR OWNER'S CARD ACCESS
NO SCALE REF: NA

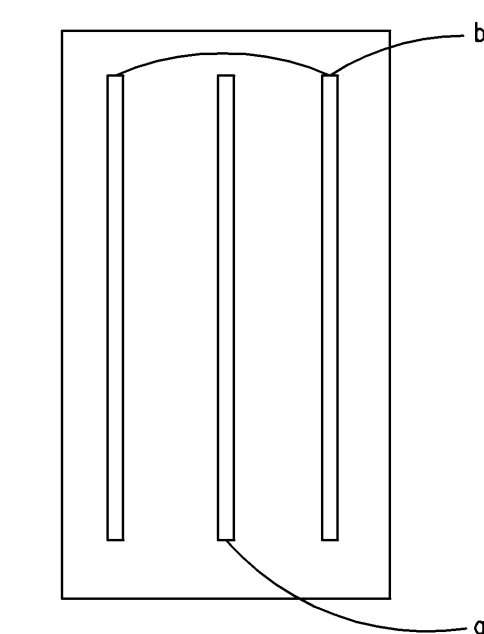
NOTE:
RISER IS DIAGRAMMATIC ONLY. DEVICE QUANTITIES & LOCATIONS AS SHOWN ON PLANS. SEE SPECIFICATIONS FOR ADDITIONAL REQUIREMENTS. VERIFY QUANTITY & WIRING TYPES W/ MANUFACTURER.

Mark	Date	Description
	07/08/08	ADDENDUM #1
	07/01/08	ISSUED FOR PERMIT
	06/26/08	100% REVIEW SET
	06/17/08	50% REVIEW SET
Issue Dates		

Drawing Status



LIGHTING FLOOR PLAN
Scale: 1/8" = 1'-0"



(TYPE A3, B4)

SWITCHING DETAIL - 3-LAMP FIXTURES
Scale: NTS

LIGHTING FIXTURE SCHEDULE									
PROVIDE ALL FIXTURES WITH COMPLETE HARDWARE, LAMPS, HANGERS, FITTINGS, ETC. FOR A COMPLETE AND PROPER MANUFACTURERS RECOMMENDED, UL INSTALLATION.									
TYPE	MANUFACTURER	CATALOG NO.	MTG.	VOLT	LAMPS			REMARKS/BALLAST INFORMATION	NOTES
					NO.	WATT	TYPE		
A2	COLUMBIA	4PS22-3170FSA12.125-E277	R	120	3	17	17 WATT - TB - 835	PROVIDE WITH "EFFICIENCY MAINE" BALLAST AND LAMP COMBINATION	①
A3	COLUMBIA	4PS24-3320FSA12.125-E277	R	120	3	32	32 WATT - TB - 835	PROVIDE WITH "EFFICIENCY MAINE" BALLAST AND LAMP COMBINATION	①⑤
B4			R	120	3	32	32 WATT - TB - 835		①⑥
C	PRESCOLITE	TBX-TL89	R	120	1	32	32 WATT - TT CFL		①
D6	PRESCOLITE	CF7632EB-STF602-MFC-PL-TRG-B24	R	120	1	26	26 WATT - TT CFL		①
D6D	PRESCOLITE	CF7632EB-DM-STF602-MFC-PL-TRG-B24	R	120	1	32	32 WATT - TT CFL		⑥
D8	PRESCOLITE	CF7632EB-STF602-MFC-PL-TRG-B24	R	120	1	32	32 WATT - TT CFL		①
E				120			LED	PROVIDE WITH SELF-DIAGNOSTICS SINGLE OR DOUBLE FACE AS NEEDED	④
F			W	120	2	32	32 WATT - TB	PROVIDE WITH "EFFICIENCY MAINE" BALLAST AND LAMP COMBINATION	①
G				120	2	42	42 WATT - CFL	COORDINATE INSTALLATION LAMP-42W/CFI/835	
H1				120	2	7.2W		PROVIDE WITH SELF-DIAGNOSTICS MOUNT ON SHELF	
H2				12	1/2	7.2W		PROVIDE WITH FLUSH JUNCTION BOX AND #12 CONDUCTORS	②
H3				12	2	7.2W		PROVIDE WITH SELF-DIAGNOSTICS AND #12 CONDUCTORS	③
J1	COLUMBIA	LSL14-2320-LD1x9-S-E120	R	120	2	32	32 WATT - TB - 835	PROVIDE WITH "EFFICIENCY MAINE" BALLAST AND LAMP COMBINATION	①
J2	COLUMBIA	4S22-3170-LD3x3-S-E120	R	120	3	17	17 WATT - TB - 835	PROVIDE WITH "EFFICIENCY MAINE" BALLAST AND LAMP COMBINATION	①
J4	COLUMBIA	4S22-3320-LD3x6-S-E120	R	120	3	32	32 WATT - TB - 835	PROVIDE WITH "EFFICIENCY MAINE" BALLAST AND LAMP COMBINATION	①⑤
K			S	120	1	100W	100W - METAL HALIDE	LAMP INCLUDED PHOTOCELL CONTROLLED	
S				120					
U4	ALKCO	L2F4-120-SWH	S	120	1	28W	28 WATT - T5		①
W2	COLUMBIA	AD2-217-E120	S	120	2	17	17 WATT - TB	PROVIDE WITH "EFFICIENCY MAINE" BALLAST AND LAMP COMBINATION	①
W4	COLUMBIA	AD4-232-E120	S	120	2	32	32 WATT - TB	PROVIDE WITH "EFFICIENCY MAINE" BALLAST AND LAMP COMBINATION	①
V2	COLUMBIA	SA2-2-217-E120	S	120	2	17	17 WATT - TB	PROVIDE WITH "EFFICIENCY MAINE" BALLAST AND LAMP COMBINATION	①
V4	COLUMBIA	SAM4-232-E120	S	120	2	32	32 WATT - TB	PROVIDE WITH "EFFICIENCY MAINE" BALLAST AND LAMP COMBINATION	①

- LIGHTING FIXTURE SCHEDULE NOTES**
- ① COORDINATE WITH "EFFICIENCY MAINE".
 - ② PROVIDE DUAL-LITE #04SS/DB1207 PER HEAD SHOWN FOR EXTERIOR, POOL AREA AND SHOWER ROOMS REMOTE EMERGENCY LIGHTING HEADS.
 - ③ PROVIDE FOR LOCAL AREA EMERGENCY LIGHTING.
 - ④ SEE POWER AND SYSTEMS DRAWING E20.1 FOR LOCATIONS OF EXIT SIGNS.
 - ⑤ PROVIDE BALLASTS FOR DIMMING APPLICATIONS WHERE SHOWN.
 - ⑥ PROVIDE BALLAST FOR DINING.

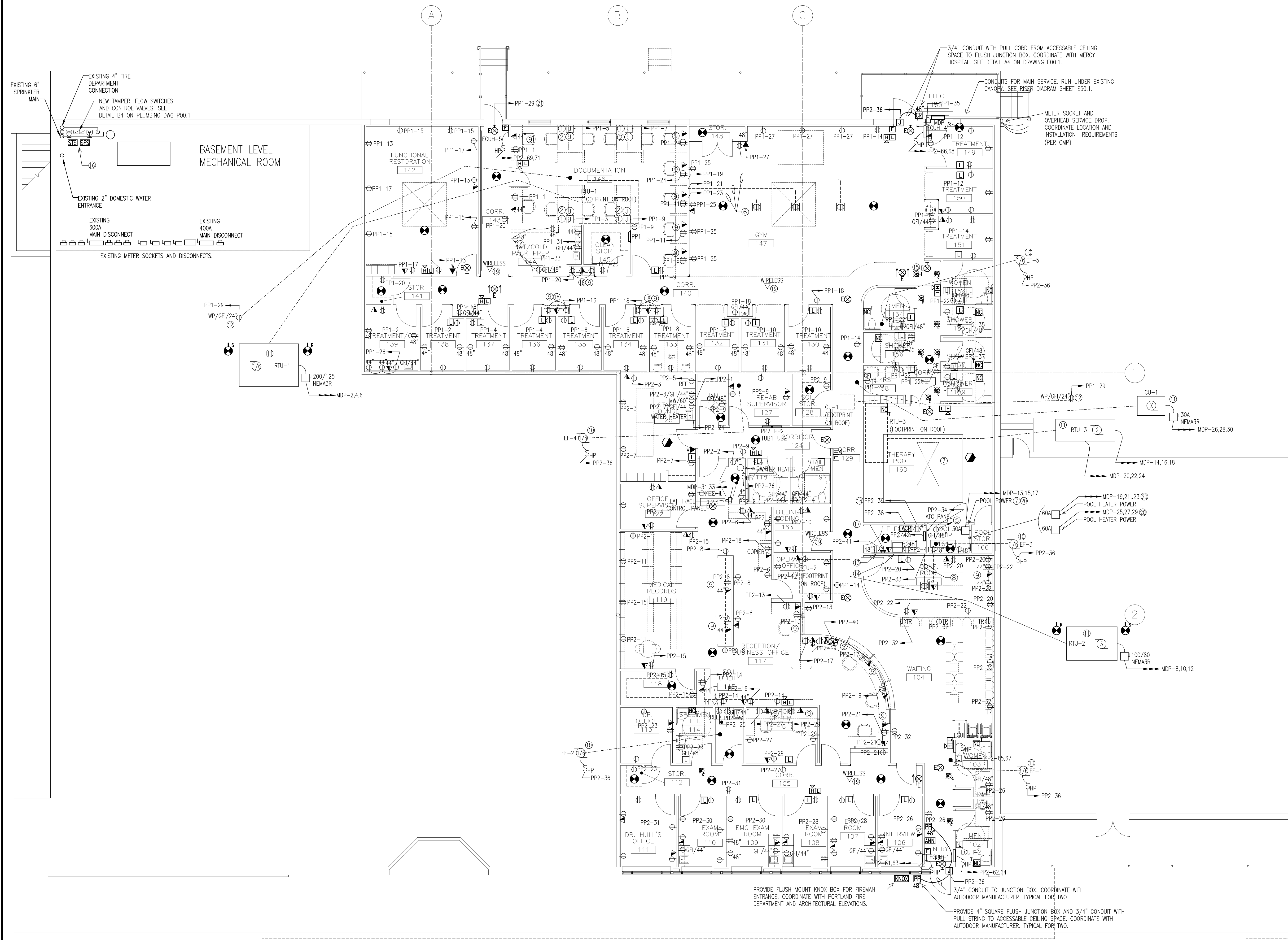
- NEW LIGHTING KEY NOTES**
- ① MOUNT CENTERED ABOVE DOOR.
 - ② PROVIDE SHELF TO MOUNT EMERGENCY LIGHTING BATTERY PACK. SEE LIGHTING SCHEDULE.
 - ③ MOUNT AT 9'-6" AFG. COORDINATE WITH OWNER FOR FINAL LOCATION.
 - ④ CONNECT TO 3 AND 4-WAY, a/b SWITCHES AT ENTRANCES TO FACILITIES.
 - ⑤ CONNECT TO 3-WAY, SWITCHES AT OPPOSITE ENTRANCES TO RECEPTION AREA.
 - ⑥ PROVIDE DOOR JAMB SWITCH FOR POOL STORAGE ROOM.
 - ⑦ MOUNT CENTERED 24" ABOVE DOOR.
 - ⑧ PROVIDE PUSHBUTTON SWITCH WITH WET LOCATION COVER.

HARRIMAN
Architects + Engineers
One Auburn Business Park
Auburn, Maine 04210
207.784.5100 tel
207.782.3017 fax
56 Pearl St., Suite 301
Portland, Maine 04101
207.775.0055 tel
207.775.0460 fax
www.harriman.com
© 2007

Project Title
MERCY HEALTH CENTER WESTGATE PLAZA
PORTLAND, MAINE
HA Project No. **07182**
Key Plan

07/08/08	ADDENDUM #1	
07/01/08	ISSUED FOR PERMIT	
06/26/08	100% REVIEW SET	
06/17/08	50% REVIEW SET	
Mark	Date	Description
Issue Dates		

Drawing Title
ELECTRICAL LIGHTING FIRST FLOOR PLAN
PA / PE: WRH Drawn By: RJB
Drawing Number
E10.1



POWER AND SYSTEMS PLAN
Scale: 1/8" = 1'-0"

- GENERAL NOTES**
1. PROVIDE SPECIFICATION GRADE, 20A, IVORY RECEPTACLES, SWITCHES, TEL/DATA OUTLETS AND PLATES. PROVIDE 20A, IVORY, HOSPITAL GRADE RECEPTACLES FOR EXAM ROOMS AND TREATMENT ROOMS.
 2. COORDINATE ALL WORK WITH OTHER TRADES.
 3. PROVIDE 4" SQUARE JUNCTION BOXES, SINGLE GANG MUD RING AND CONDUIT WITH PULL STRING UP WALL TO ACCESSIBLE CEILING SPACE FOR ALL TEL/DATA LOCATIONS SHOWN.
 4. COORDINATE WITH MERCY HOSPITAL FOR PREFERRED VENDORS.
 -"PROTECTION ONE" FOR SECURITY AND FIRE ALARM VENDOR.
 -"MAIN LINK" FOR CABLE VENDOR.
 -"ADVANCE TECHNOLOGY" FOR CARD SWIPE PROXY VENDOR
 5. FOR TEL/DATA BACKBOX INSTALLATIONS SEE DETAIL A2 ON DRAWING E00.1.

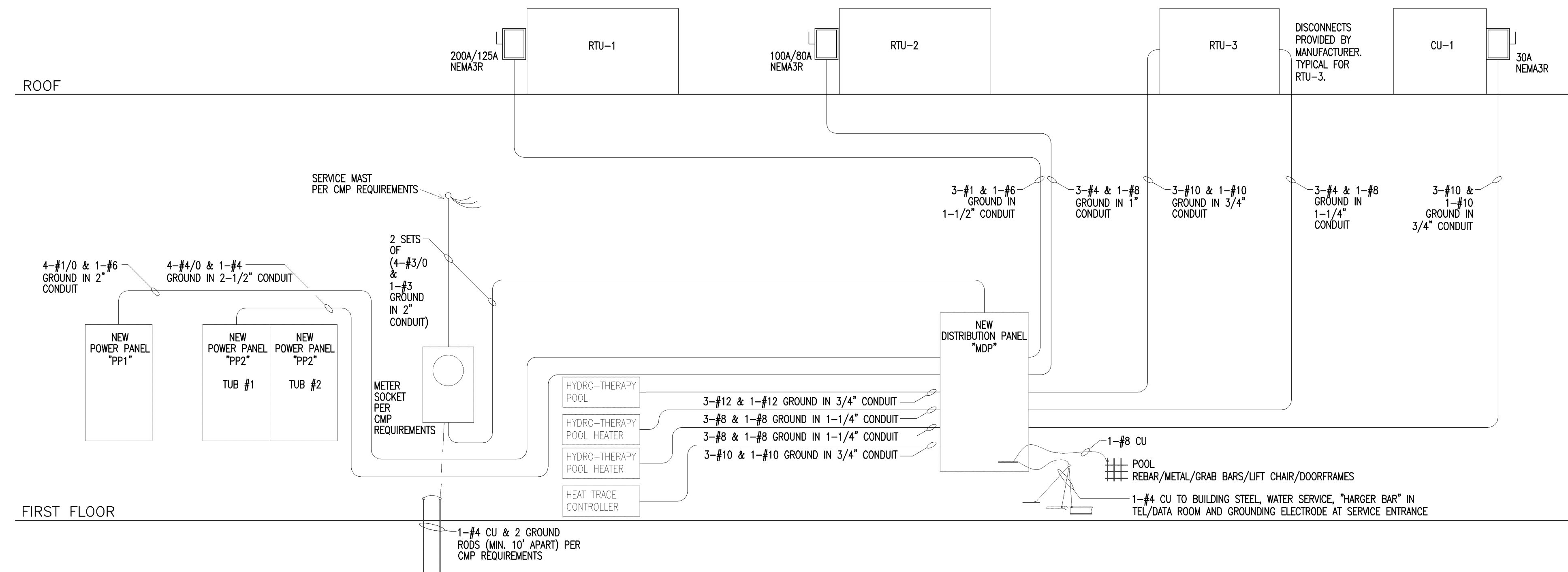
- NEW WORK KEY NOTES**
- ① PROVIDE FLUSH JUNCTION BOX FOR POWER TO SYSTEMS FURNITURE. COORDINATE FINAL HEIGHT AND INSTALLATION WITH FURNITURE REQUIREMENTS.
 - ② PROVIDE FLUSH JUNCTION BOX FOR TEL/DATA TO SYSTEMS FURNITURE. COORDINATE FINAL HEIGHT AND INSTALLATION WITH FURNITURE REQUIREMENTS.
 - ③ NOT USED.
 - ④ NOT USED.
 - ⑤ CONNECT RECEPTACLES TO LOAD SIDE OF GFI RECEPTACLE. TYPICAL FOR ALL RECEPTACLES IN ROOM.
 - ⑥ PROVIDE (1) 1" CONDUIT UNDER SLAB AND UP WALL FOR FLOOR BOXES. PROVIDE (1) DOUBLE DUPLEX (QUAD) RECEPTACLE FLOOR BOX, WIREMOLD TYPE 8868 WITH 895 COVER FOR RUBBER OR CARPETED FLOOR. TYPICAL FOR THREE. COORDINATE FINAL LOCATION WITH ARCHITECT.
 - ⑦ PROVIDE REQUIRED BONDING (#8AWG MINIMUM) FOR THERAPY POOL, INCLUDING BUT NOT LIMITED TO ALL OF THE CONCRETE REINFORCING STEEL AND METALLIC STRUCTURAL COMPONENTS, UNDERWATER LIGHTING, METAL FITTINGS, ELECTRICAL EQUIPMENT, METALLIC CONDUIT, METAL-SHEATHED CABLE, METAL PIPING AND ALL FIXED METAL PARTS OF POOL. LOCATE DISCONNECT AS REQUIRED IN POOL EQUIPMENT ROOM.
 - ⑧ PROVIDE (1) 1" CONDUIT UNDER SLAB AND UP WALL FOR FLOOR BOX AND PROVIDE (1) DOUBLE DUPLEX (QUAD) RECEPTACLE FLOOR BOX, WIREMOLD TYPE 8868 WITH 895 COVER FOR RUBBER OR CARPETED FLOOR. PROVIDE (1) 1" CONDUIT UNDER SLAB AND UP WALL FOR FLOOR BOXES AND PROVIDE (1) TELEPHONE AND (2) DATA JACKS, WIREMOLD TYPE 8868 WITH 895 COVER FOR RUBBER OR CARPETED FLOOR.
 - ⑨ MOUNT TEL/DATA JACKS AT 44" (ABOVE DESK TOP).
 - ⑩ EXHAUST FANS LOCATED ON ROOF. PROVIDE WEATHER PROOF BOXES AND MOUNT 24" ABOVE FINISHED ROOF. SEE MECHANICAL DRAWING FOR EXACT LOCATION. COORDINATE CONTROL WIRING AND INSTALLATION WITH OTHER TRADES.
 - ⑪ AIR HANDLING UNITS AND CONDENSER UNIT WITH ASSOCIATED EQUIPMENT LOCATED ON ROOF. SEE MECHANICAL DRAWING FOR EXACT LOCATION. COORDINATE INSTALLATION WITH OTHER TRADES.
 - ⑫ PROVIDE RECEPTACLE FOR ROOF TOP EQUIPMENT. PROVIDE HEAVY-DUTY IN-USE WEATHERPROOF COVER. MOUNT AT 24" ABOVE FINISHED ROOF, INDEPENDENTLY OF CONDUIT ON "UNSTRUCT" OR EQUAL.
 - ⑬ PROVIDE 4x8x3/4" SANDED PLYWOOD, PAINT FLAME RETARDANT OFF-WHITE, MOUNT HORIZONTAL AT 36" AFF TO BOTTOM, 72" AFF TO TOP. SEE DETAIL A1 ON DRAWING E00.1.
 - ⑭ PROVIDE 19" WALL MOUNTED RACK, 48 PORT PATCH PANELS AND WIRE MANAGEMENT RACKS. COORDINATE WITH MERCY HOSPITAL IT DEPARTMENT FOR HOSPITAL REQUIREMENTS/STANDARDS.
 - ⑮ CORRIDOR NURSE CALL ZONE LIGHT FOR CALL STATIONS IN POOL AND GYM AREA. INTERCONNECT WITH NURSE CALL ANNUNCIATOR PANEL IN RECEPTION AREA.
 - ⑯ CONTRACTOR SHALL CONNECT ALL FLOW AND TAMPER SWITCHES TO FIRE ALARM SYSTEM. COORDINATE WIRING AND INSTALLATION WITH SPRINKLER CONTRACTOR. SEE DETAIL A3 ON DRAWING E00.1.
 - ⑰ PROVIDE 12" THARGER" GROUND BAR. MOUNT AT 48" AFF BOND TO MAIN SERVICE GROUND AND DATA RACK WITH A #4 AWG COPPER. SEE DETAIL A1 ON DRAWING E00.1.
 - ⑱ COORDINATE RECEPTACLE, DATA AND TELEPHONE NEEDS IN CORRIDOR ALCOVES WITH MERCY INFORMATION TECHNOLOGY DEPARTMENT.
 - ⑲ COORDINATE WIRELESS DATA QUANTITY AND LOCATIONS WITH MERCY INFORMATION TECHNOLOGY DEPARTMENT. PROVIDE JUNCTION BOXES AND POWER WERE REQUIRED.
 - ⑳ DISCONNECTS FOR POOL AND HEATERS ARE ESTIMATED LOADS. ACTUAL SIZE TBD.
 - ㉑ CONNECT ALL EXIT SIGNS TO THIS CIRCUIT. SEE FIXTURE SCHEDULE ON LIGHTING DRAWING E10.1.

Mark	Date	Description
07/08/08		ADDENDUM #1
07/01/08		ISSUED FOR PERMIT
06/26/08		100% REVIEW SET
-	6/17/08	50% REVIEW SET
Issue Dates		

Drawing Status

MDP		VOLTAGE: 208Y/120 PH & WIRES: 3P 4W BUSES: 400A		MAIN BREAKER: 400A MCB AIC RATING: 22KAIC MOUNTING SURFACE		LOCATION: ELECTRICAL CLOSET FEEDER: 2 SETS OF (4-#3/0 & 1-#3)							
LOAD DESCRIPTION	AMP	POLE	NOTE NO.	WATTS	PH A	PH B	PH C	WATTS	W/REQ	NOTE NO.	POLE	AMP	LOAD DESCRIPTION
TUB 1 OF 1 - REMARKS:													
POWER PANEL PP1	150	3		32520	---	---	---	32760	4	2	3	125	RTU-1 (SHP)
POWER PANEL PP2	225	3		61938	---	---	---	23040	10	2	3	80	RTU-2 (3HP)
HYDRO-THERAPY POOL RECIRCULATION PUMP	20	3		4000*	---	---	---	5076	16	2	3	25	RTU-3 (2HP & 1.5HP)
HYDRO-THERAPY HEATER	40	3		11500*	---	---	---	20000	22		3	70	RTU-3 (HEATING COILS)
HYDRO-THERAPY HEATER	40	3		11500*	---	---	---	8280	28	2	3	30	CU-1 (RTU-3)
HEAT TRACE CONTROLLER	30	2		6000*	---	---	---	0	32		1	-	SPACE
SPACE	-	1		35	0	---	---	0	36		1	-	SPACE
				120159	0	89156		TOTAL WATTS: 209315					

REMARKS:
1. PROVIDE 30mA GROUND FAULT EQUIPMENT PROTECTION. 2. PROVIDE HACR BREAKER. 3. PROVIDE GFCI BREAKER (5mA PERSONNEL PROTECTION)
* = ESTIMATED LOAD.



PP1		VOLTAGE: 120/208 PH & WIRES: 3P 4W BUSES: 225A		MAIN BREAKER: MLO AIC RATING: 10KAIC MOUNTING: FLUSH		LOCATION: CORRIDOR FEEDER: 4-#4/0 & 1-#6								
LOAD DESCRIPTION	AMP	POLE	NOTE NO.	WATTS	PH A	PH B	PH C	WATTS	W/REQ	NOTE NO.	POLE	AMP	LOAD DESCRIPTION	
TUB 1 OF 1 - REMARKS:														
RCPT DOCUMENTATION	20	1		1080	2340	---	---	1260	2		1	20	RCPT TREATMENT RM	
RCPT DOCUMENTATION	20	1		3	1080	---	---	1440	4		1	20	RCPT TREATMENT RM	
RCPT DOCUMENTATION	20	1		5	1080	---	---	2520	1440	6		1	20	RCPT TREATMENT RM
RCPT DOCUMENTATION	20	1		7	1080	---	---	2520	1440	8		1	20	RCPT TREATMENT RM
RCPT DOCUMENTATION	20	1		9	1080	---	---	2520	1440	10		1	20	RCPT TREATMENT RM
RCPT DOCUMENTATION	20	1		11	1080	---	---	2520	1440	12		1	20	RCPT TREATMENT RM
RCPT FUNCTIONAL RES.	20	1		13	540	2180	---	1620	14		1	20	RCPT TREATMENT RM/CORR.	
RCPT FUNCTIONAL RES.	20	1		15	540	---	---	1080	540	16		1	20	RCPT CORRIDOR PRINTER
RCPT FUNCTIONAL RES.	20	1		17	540	---	---	1080	540	18		1	20	RCPT CORRIDOR PRINTER
RCPT GYM FLOOR	20	1		19	360	1080	---	720	20		1	20	RCPT CORRIDOR PRINTER	
RCPT GYM FLOOR	20	1		21	360	---	---	1260	900	22		1	20	RCPT CORR/BATH/LOCKERS
RCPT GYM FLOOR	20	1		23	360	---	---	1080	720	24		1	20	RCPT DOCUMENTATION 146
RCPT GYM	20	1		25	540	900	---	360	26		1	20	RCPT TREATMENT RM	
RCPT GYM	20	1		27	900	---	---	900	0	28		1	-	SPACE
RCPT ROOF	20	1		29	360	---	---	0	0	30		1	-	SPACE
RCPT HOT/COLD PREP 144	20	1		31	360	360	---	0	32		1	-	SPACE	
RCPT HOT/COLD PREP 144	20	1		33	360	---	---	360	0	34		1	-	SPACE
RCPT ELEC. CLOSET	20	1		35	360	---	---	360	0	36		1	-	SPACE
SPARE	20	1		37	0	---	---	0	38		1	-	SPACE	
SPARE	20	1		39	0	---	---	0	40		1	-	SPACE	
SPARE	20	1		41	0	---	---	0	42		1	-	SPACE	
				9380	8640	7200		TOTAL WATTS: 25220						

REMARKS:
1. PROVIDE GFI CIRCUIT BREAKER

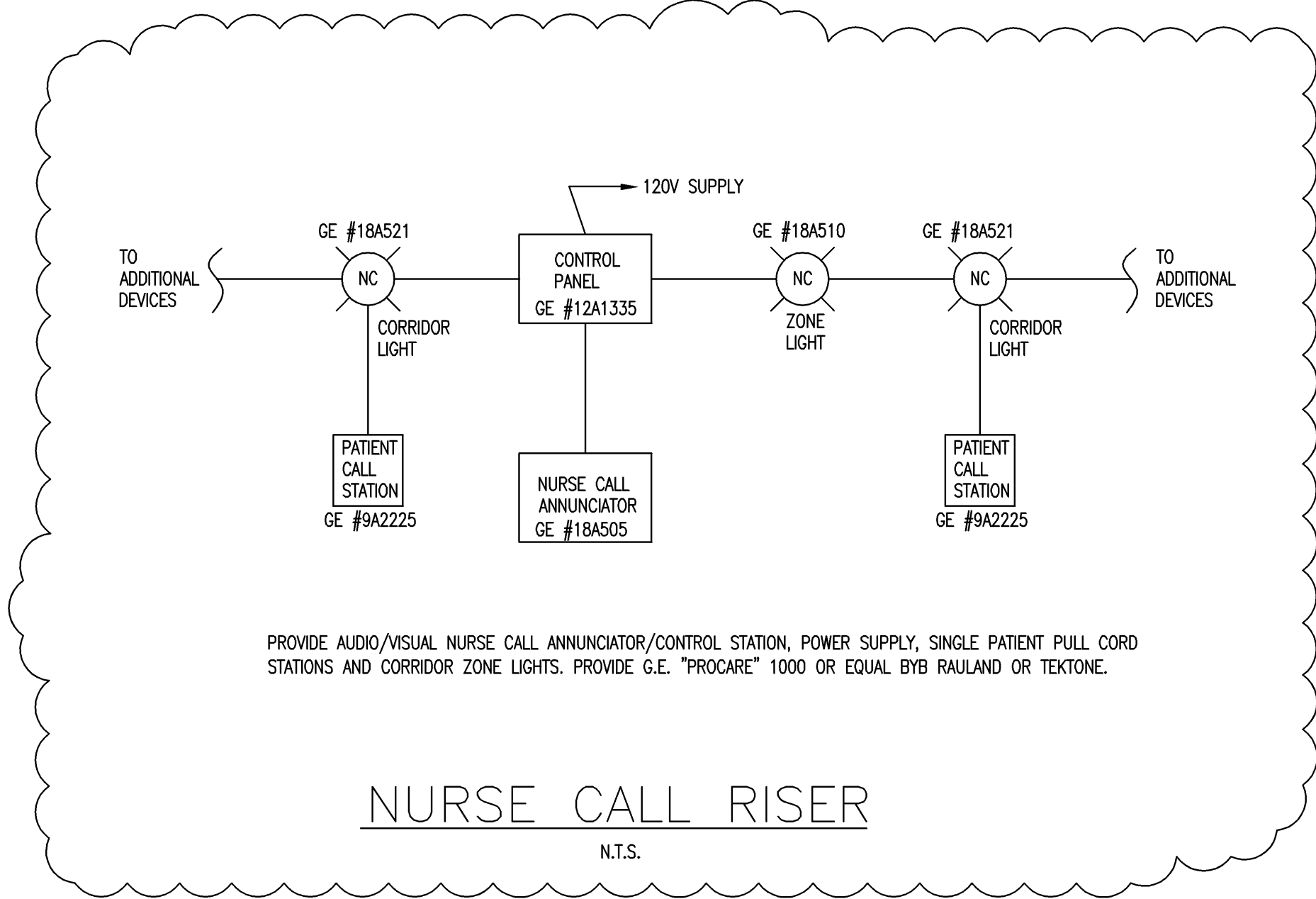
PP2		VOLTAGE: 120/208 PH & WIRES: 3P 4W BUSES: 225A		MAIN BREAKER: MLO AIC RATING: 10KAIC MOUNTING: FLUSH		LOCATION: CORRIDOR FEEDER: 4-#4/0 & 1-#4								
LOAD DESCRIPTION	AMP	POLE	NOTE NO.	WATTS	PH A	PH B	PH C	WATTS	W/REQ	NOTE NO.	POLE	AMP	LOAD DESCRIPTION	
TUB 1 OF 2 - REMARKS: FEED-THRU LVSS														
RCPT STAFF LOUNGE MICRO	20	1		1400	1760	---	---	360	2		1	20	RCPT MECH. RM	
RCPT STAFF LOUNGE COUNTER	20	1		3	540	---	---	1800	1280	4		20	RCPT OFFICE SUPERVISOR	
RCPT STAFF LOUNGE REF.	20	1		5	900	---	---	1520	720	6		20	RCPT MEDICAL RECORDS	
RCPT STAFF LOUNGE COUNTER	20	1		7	720	1620	---	900	8		1	20	RCPT MEDICAL RECORDS	
RCPT REHAB SUPERVISOR	20	1		9	1080	---	---	1980	900	10		1	20	RCPT BILLING OFFICE
RCPT MEDICAL RECORDS	20	1		11	900	---	---	1800	900	12		1	20	RCPT OPERATOR OFFICE
RCPT CHECK-OUT	20	1		13	900	---	---	720	14		1	20	RCPT RECEIPT/BUSINESS	
RCPT MEDICAL RECORDS	20	1		15	900	1440	---	540	16		1	20	RCPT RECEIPT/BUSINESS	
RCPT RECEPTION	20	1		17	720	---	---	1920	1200	18		1	20	COPIER
RCPT RECEPTION	20	1		19	720	1440	---	720	20		1	20	RCPT CONF. RM	
RCPT RECEPTION	20	1		21	720	---	---	720	22		1	20	RCPT CONF. RM	
RCPT N.P. OFFICE	20	1		23	1080	---	---	2580	1500	24		1	20	LOCAL WATER HEATER
RCPT SOL. UTILITY REF.	20	1		25	800	2400	---	1600	26		1	20	RCPT INTERVIEW	
RCPT SUPPORT OFFICE	20	1		27	720	---	---	2320	1600	28		1	20	RCPT EXAM ROOMS
RCPT SUPPORT OFFICE	20	1		29	720	---	---	2320	1600	30		1	20	RCPT EXAM ROOMS
PHYSICIANS OFFICE	20	1		31	1080	2160	---	1080	32		1	20	RCPT WAITING RM 104	
RCPT CONF. RM FLOOR	20	1		33	360	---	---	540	34		1	20	RCPT POOL EQUIP RM 161	
RCPT SHOWER 155/156	20	1		35	1000	---	---	1600	600	36		1	20	AUTODOOR FRONT ENTRANCE
RCPT SHOWER 157/159	20	1		37	1000	1300	---	300	38		1	20	FIRE ALARM CONTROL PANEL	
RCPT TEL/DATA RM 162	20	1		39	360	---	---	560	200	40		1	20	NURSE CALL POWER SUPPLY
RCPT TEL/DATA RM 162	20	1		41	360	---	---	660	300	42		1	20	ATO PANEL
				12300	10430	12400		TOTAL WATTS: 35130						

REMARKS:
1. PROVIDE GFI CIRCUIT BREAKER

PP2		VOLTAGE: 120/208 PH & WIRES: 3P 4W BUSES: 225A		MAIN BREAKER: MLO AIC RATING: 10KAIC MOUNTING: FLUSH		LOCATION: CORRIDOR FEEDER: 4-#4/0 & 1-#4								
LOAD DESCRIPTION	AMP	POLE	NOTE NO.	WATTS	PH A	PH B	PH C	WATTS	W/REQ	NOTE NO.	POLE	AMP	LOAD DESCRIPTION	
TUB 2 OF 2 - REMARKS:														
LTG TREATMENT RMS	20	1		43	1417	3168	---	1696	44		1	20	LTG FUNC.RES./ DOCUMENT	
LTG TOILETS/ SHOWERS	20	1		45	1090	---	---	2763	1673	46		1	20	LTG CORRIDOR
LTG MED. RECORDS	20	1		47	1662	---	---	3232	1570	48		1	20	LTG EXAM RMS DR HALL
LTG CONF.RM./ TOILETS	20	1		49	1092	2816	---	1696	66		1	20	LTG-FREEMAN/STDB./OFFICE	
LTG GYM	20	1		51	1152	---	---	2160	1008	52		1	20	LTG POOL
EXTERIOR LIGHTING	20	1		53	200	---	---	200	0	54		1	20	SPARE
SPARE	20	1		55	0	---	---	0	56		1	20	SPARE	
SPARE	20	1		57	0	---	---	0	58		1	20	SPARE	
SPARE	20	1		59	0	---	---	0	60		1	20	SPARE	
ECUH-1	25	2		61	2000	2000	---	2000	62		2	25	ECUH-2	
ECUH-2	25	2		63	0	---	---	0	64					
ECUH-3	25	2		65	2000	---	---	2000	2000	66		2	25	ECUH-4
ECUH-4	25	2		67	0	2000	---	0	68					
ECUH-5	25	2		69	2000	---	---	2392	1392	70		1	20	EX. FANS #1 & #2 (1/4HP)
SPACE	-	1		71	0	---	---	0	72		1	20	EX. FANS #3 & #4 (1/4HP)	
SPACE	-	1		73	0	696	---	696	74		1	20	EX. FAN #5 (1/4HP)	
SPACE	-	1		75	0	---	---	200	200	76		1	20	WATER HEATER
SPACE	-	1		77	0	---	---	0	78		1	-	SPACE	
SPACE	-	1		79	0	---	---	0	80		1	-	SPACE	
SPACE	-	1		81	0	---	---	0	82		1	-	SPACE	
SPACE	-	1		83	0	---	---	0	84		1	-	SPACE	
				10478	8507	7824		TOTAL WATTS: 26809						

REMARKS:
1. PROVIDE GFI CIRCUIT BREAKER

RISER DIAGRAM
N.T.S.



07/08/08	ADDENDUM #1	
07/01/08	ISSUED FOR PERMIT	
06/26/08	100% REVIEW SET	
06/17/08	50% REVIEW SET	
Mark	Date	Description
Issue Dates		

Drawing Status