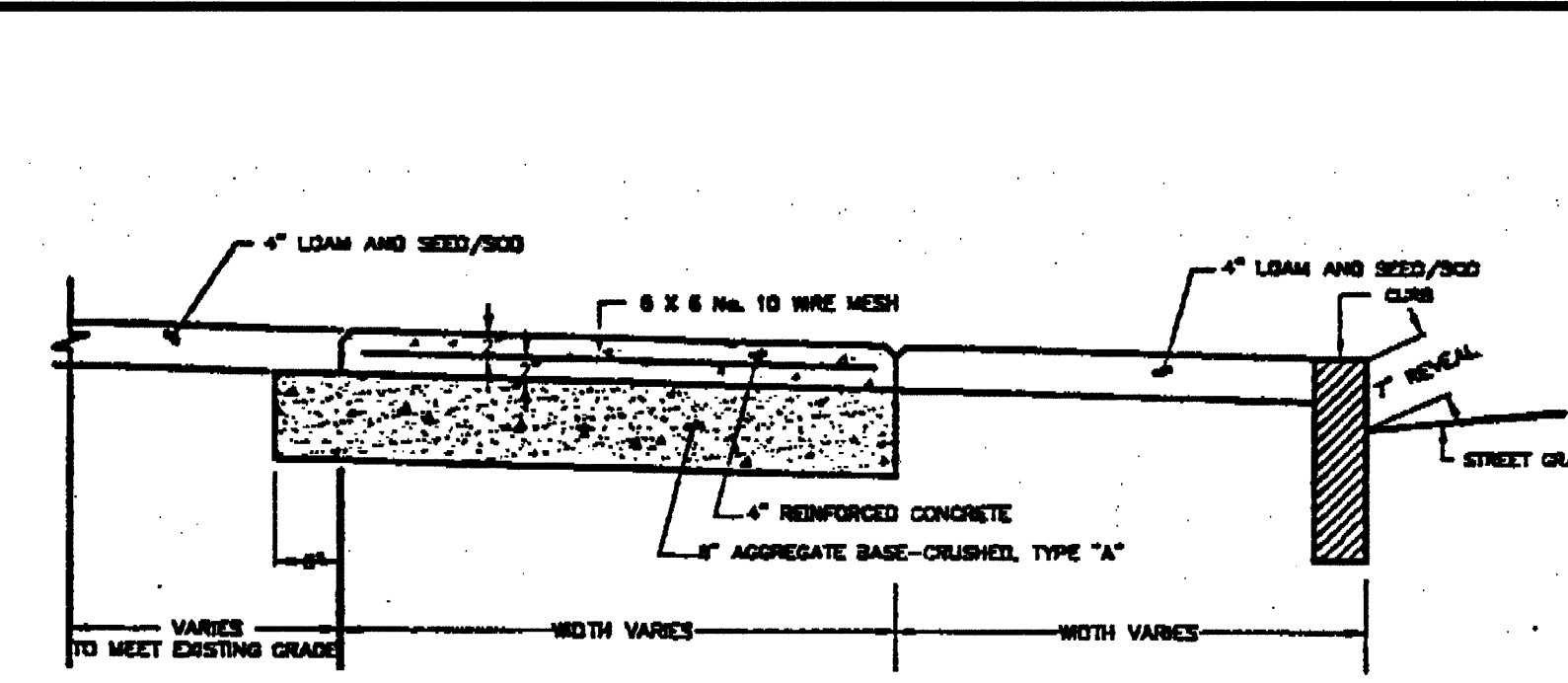


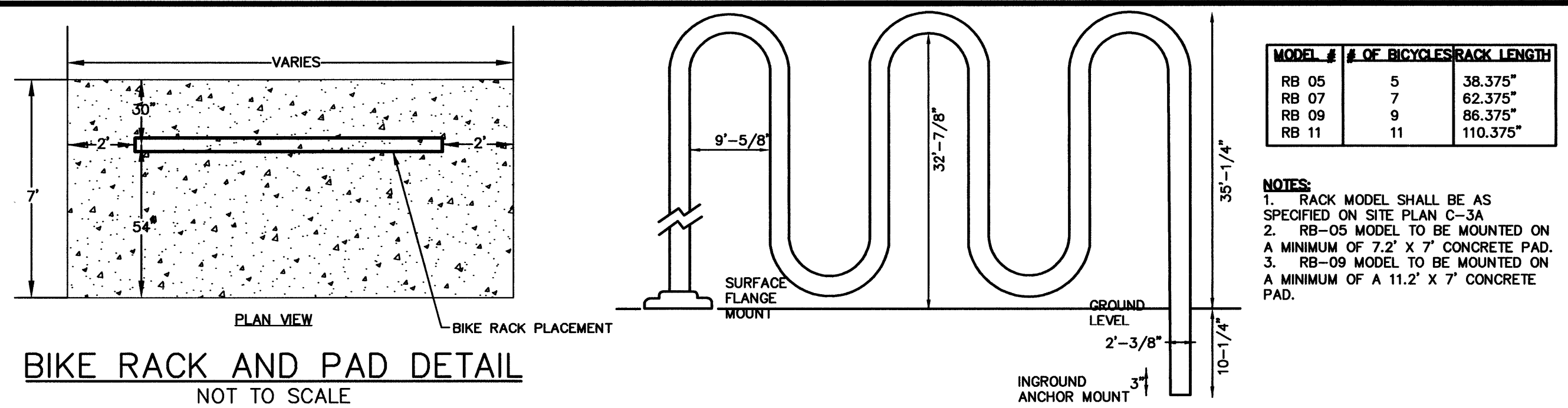
SECTION AT SIDEWALK
NOT TO SCALE

FIGURE I-12
BITUMINOUS SIDEWALK AND DRIVEWAY CONSTRUCTION



SECTION AT SIDEWALK
NOT TO SCALE

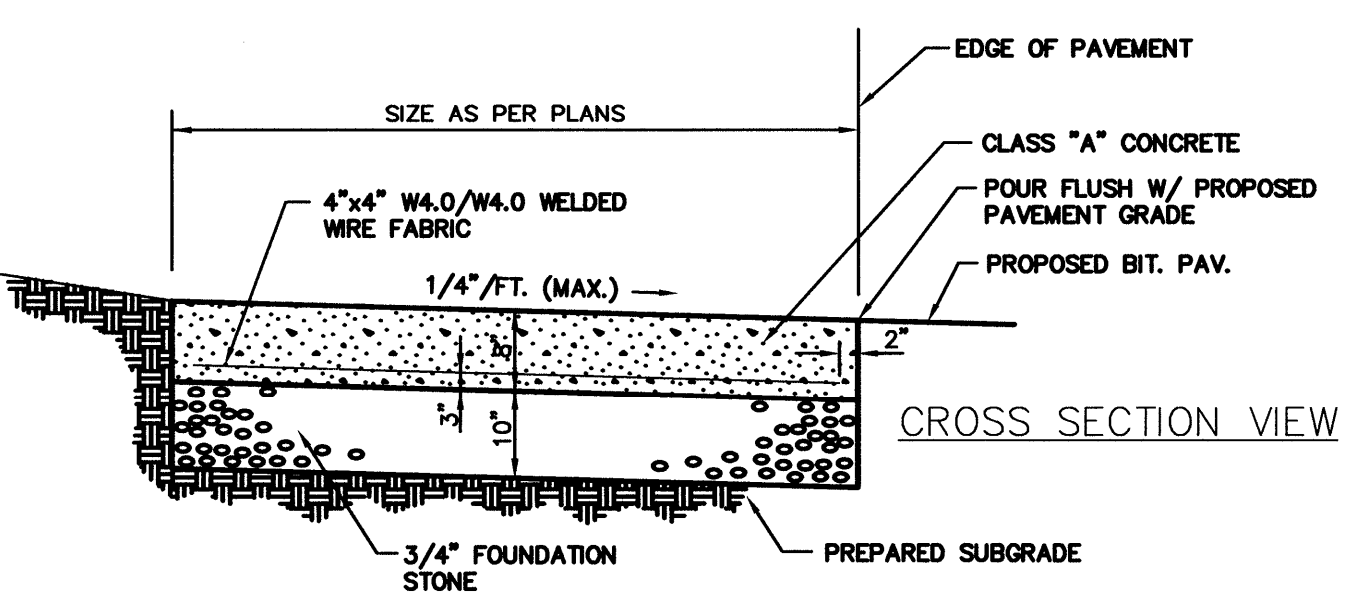
FIGURE I-13
CONCRETE SIDEWALK AND DRIVEWAY CONSTRUCTION



BIKE RACK AND PAD DETAIL
NOT TO SCALE

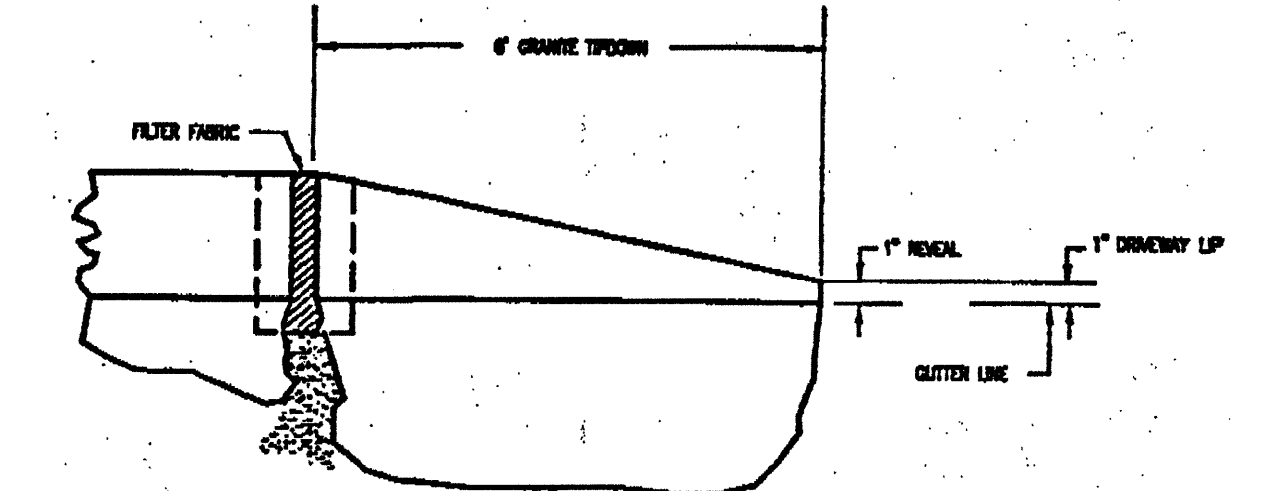
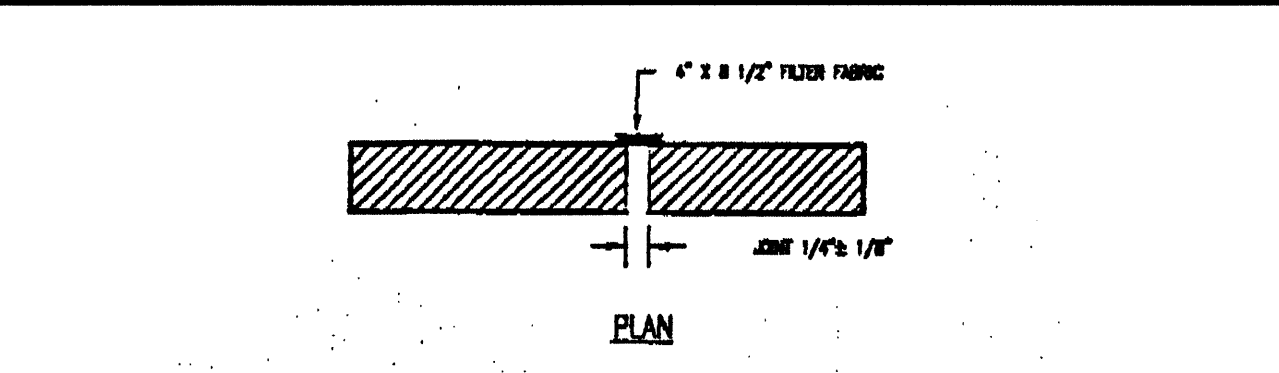
MODEL #	# OF BICYCLES	RACK LENGTH
RB 05	5	38.375"
RB 07	7	62.375"
RB 09	9	86.375"
RB 11	11	110.375"

NOTES:
1. BIKE RACK MODEL SHALL BE AS SPECIFIED ON SITE PLAN C-3A.
2. RB-05 MODEL TO BE MOUNTED ON A MINIMUM OF 7.2' X 7' CONCRETE PAD.
3. RB-09 MODEL TO BE MOUNTED ON A MINIMUM OF 11.2' X 7' CONCRETE PAD.

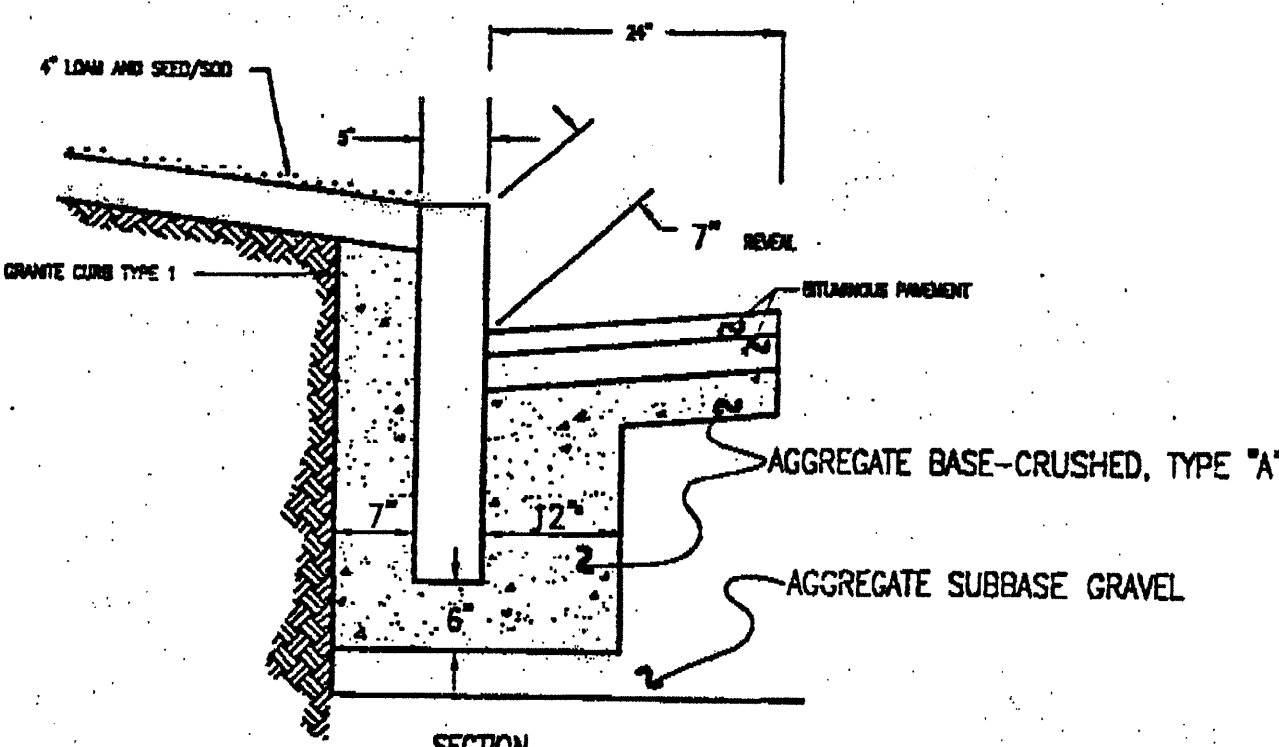


NOTE: DUMPSTER SCREEN WALLS NOT SHOWN (N.I.C.) SEE ARCH. DWGS FOR DETAILS.

DUMPSTER PAD
NOT TO SCALE

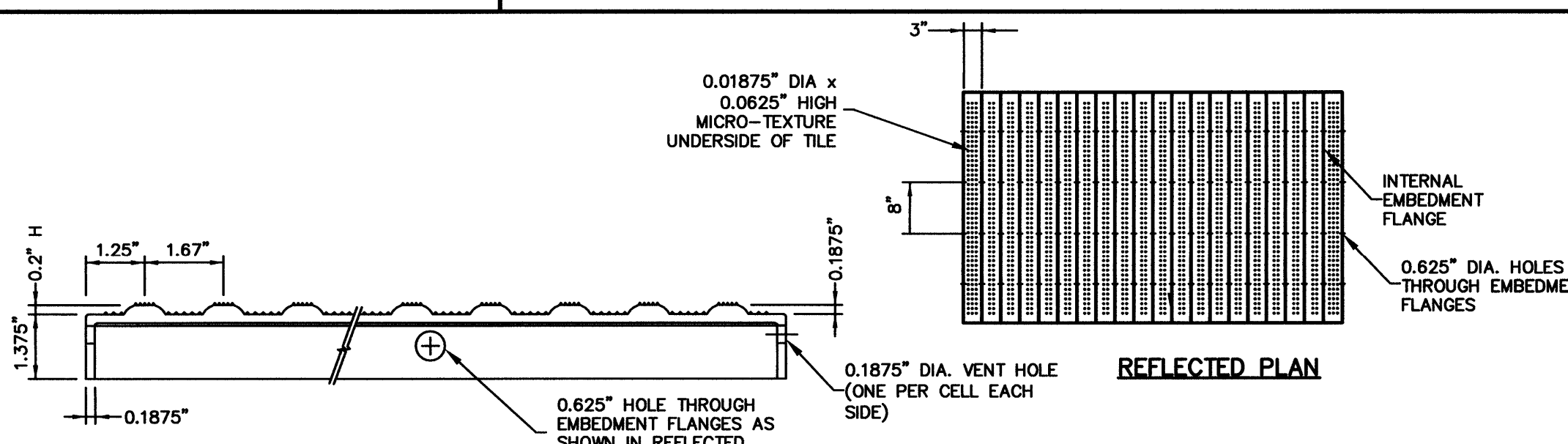


TYPICAL TIPDOWN CURB INSTALLATION
NOT TO SCALE

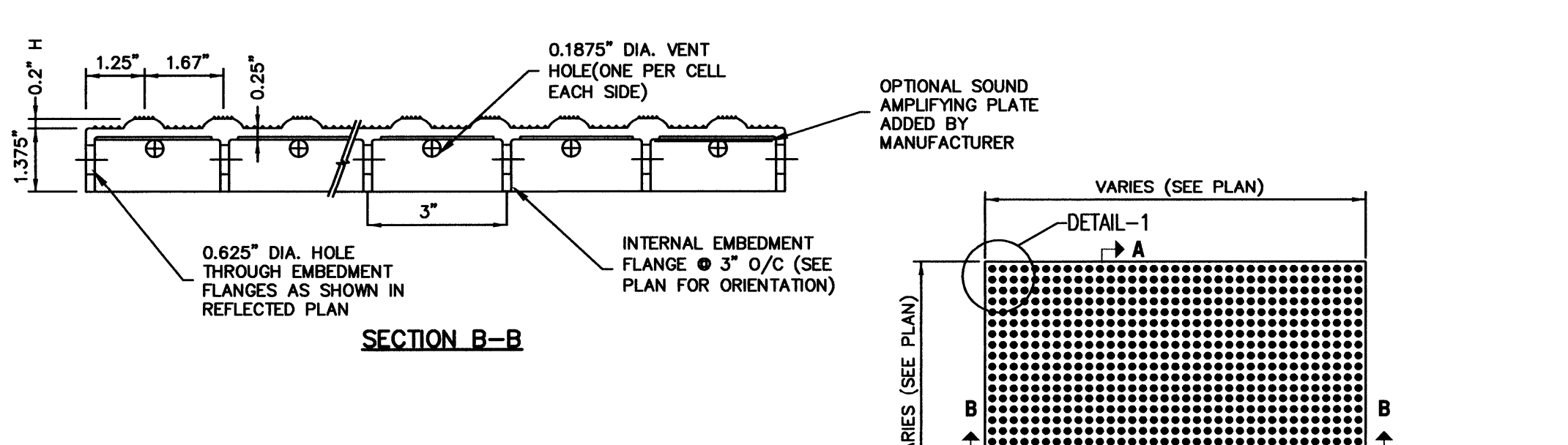


SECTION
INSTALLATION OF CURB
NOT TO SCALE
FIGURE I-15
CURB INSTALLATION

- NOTE:
1. DETECTABLE WARNING SYSTEM TO BE ARMOR TILE OR APPROVED EQUAL.
 2. DETECTABLE WARNING SHOULD MEET ALL ADA REQUIREMENTS.
 3. CURB RAMPS MUST HAVE A DETECTABLE WARNING FEATURE EXTENDING THE FULL WIDTH AND DEPTH OF THE RAMP (MID-WALK "IN-LINE" RAMPS ONLY NEED DETECTABLE WARNINGS AT WALK/PARKING TRANSITION).
 4. DETECTABLE SURFACE MUST CONSIST OF RAISED TRUNCATED DOMES WITH A NOMINAL DIAMETER OF 0.9 INCHES AND A CENTER TO CENTER SPACING OF NOMINAL 1.67 INCHES.
 5. THE TEXTURE OF THE DETECTABLE WARNING FEATURE MUST CONTRAST WITH THE SURROUNDING SURFACES (EITHER LIGHT-ON-DARK OR DARK-ON-LIGHT).



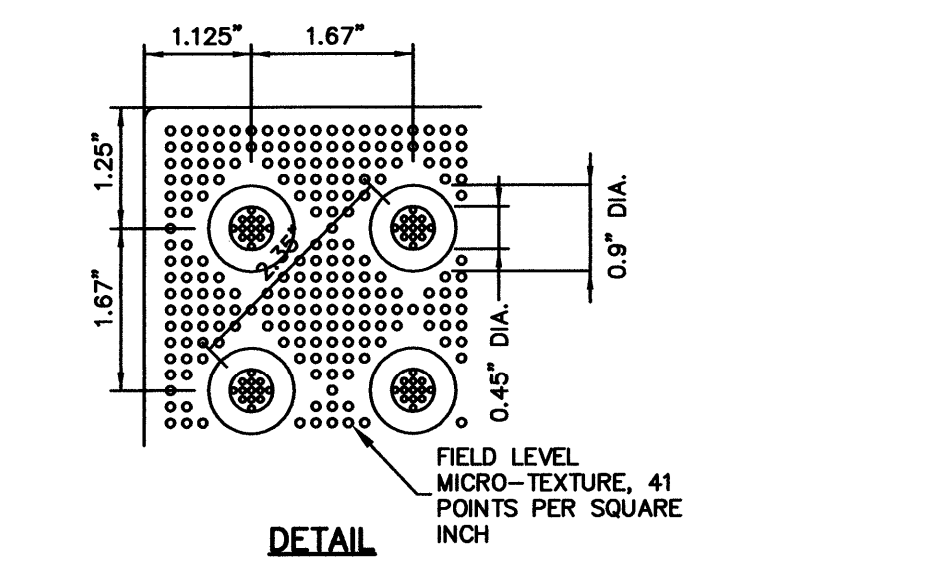
REFLECTED PLAN



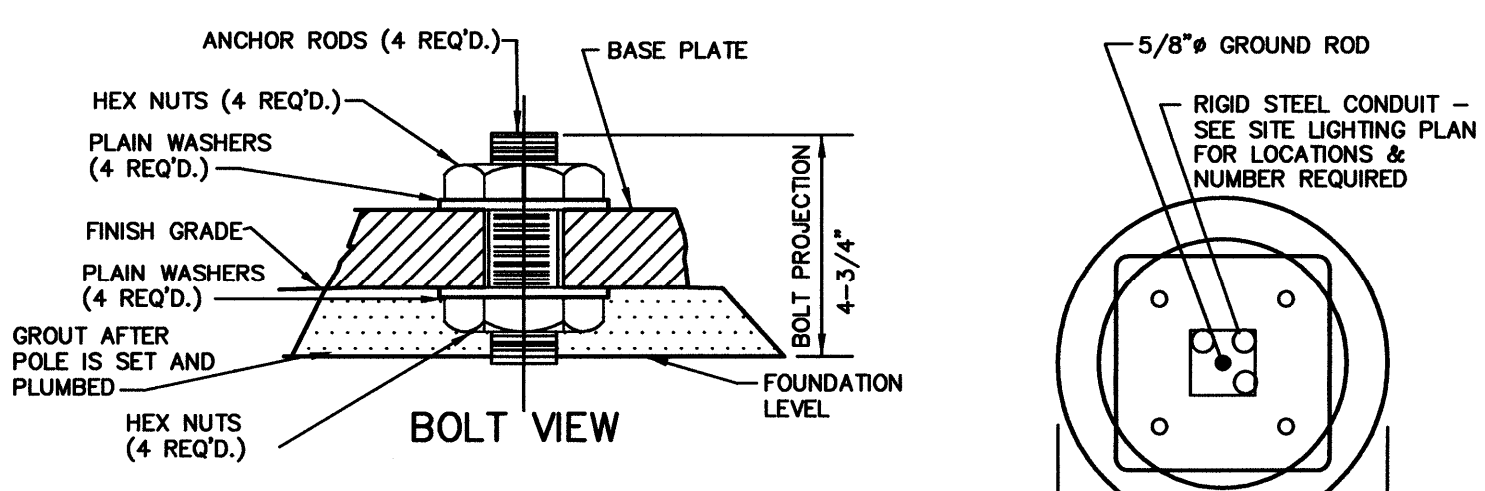
SECTION A-A

SECTION B-B

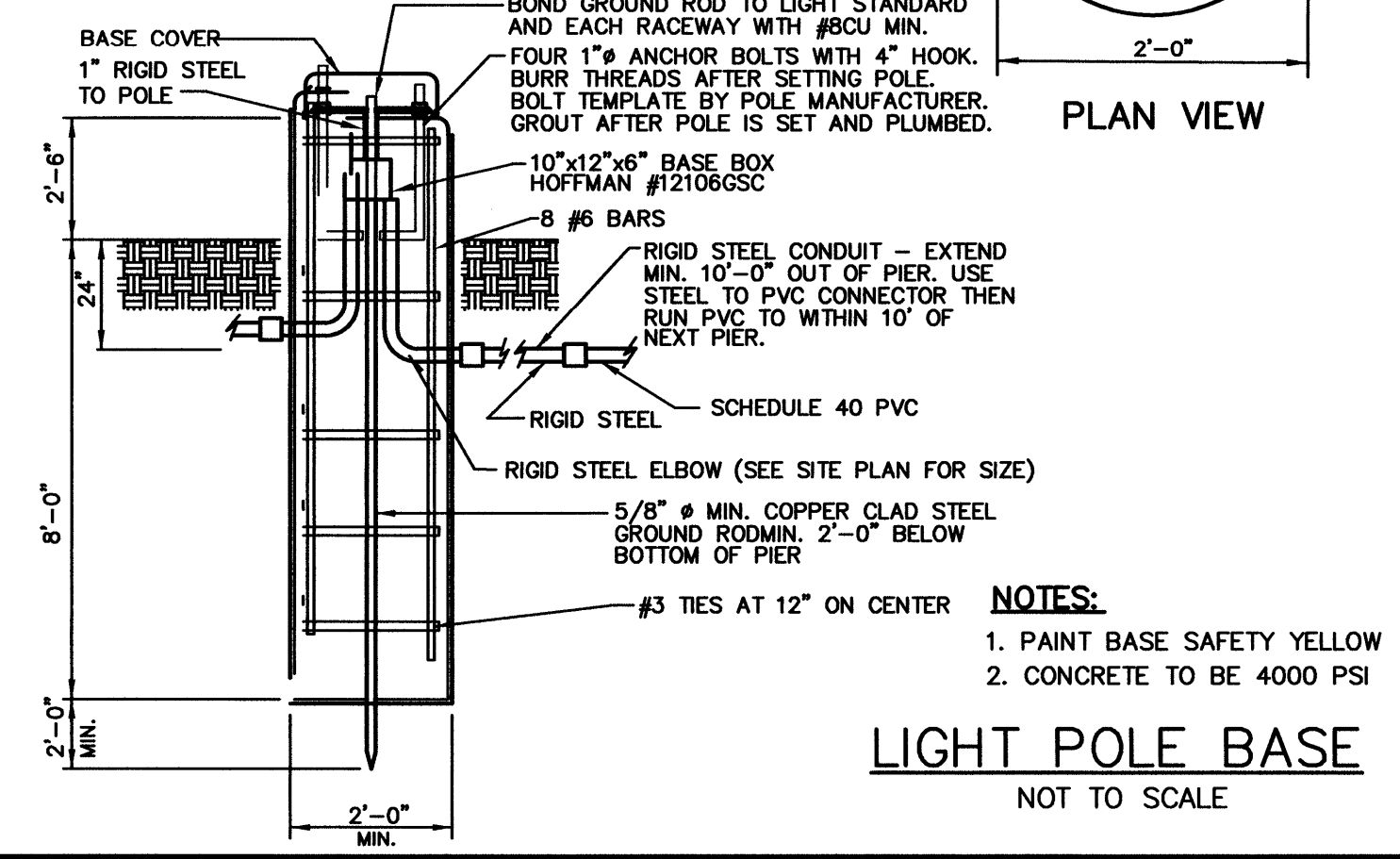
DETECTABLE WARNING SURFACE
NOT TO SCALE



DETAIL

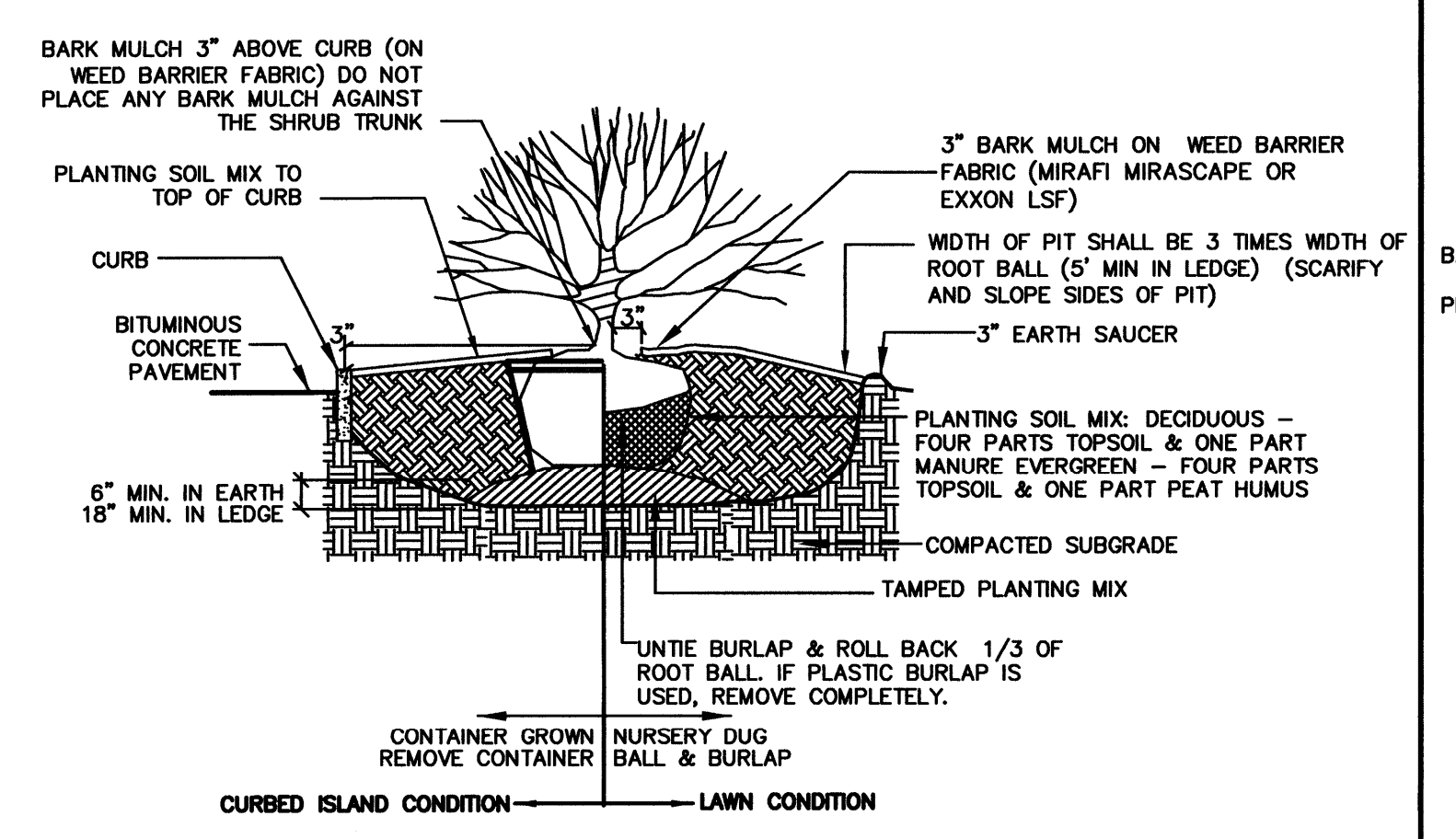


BOLT VIEW

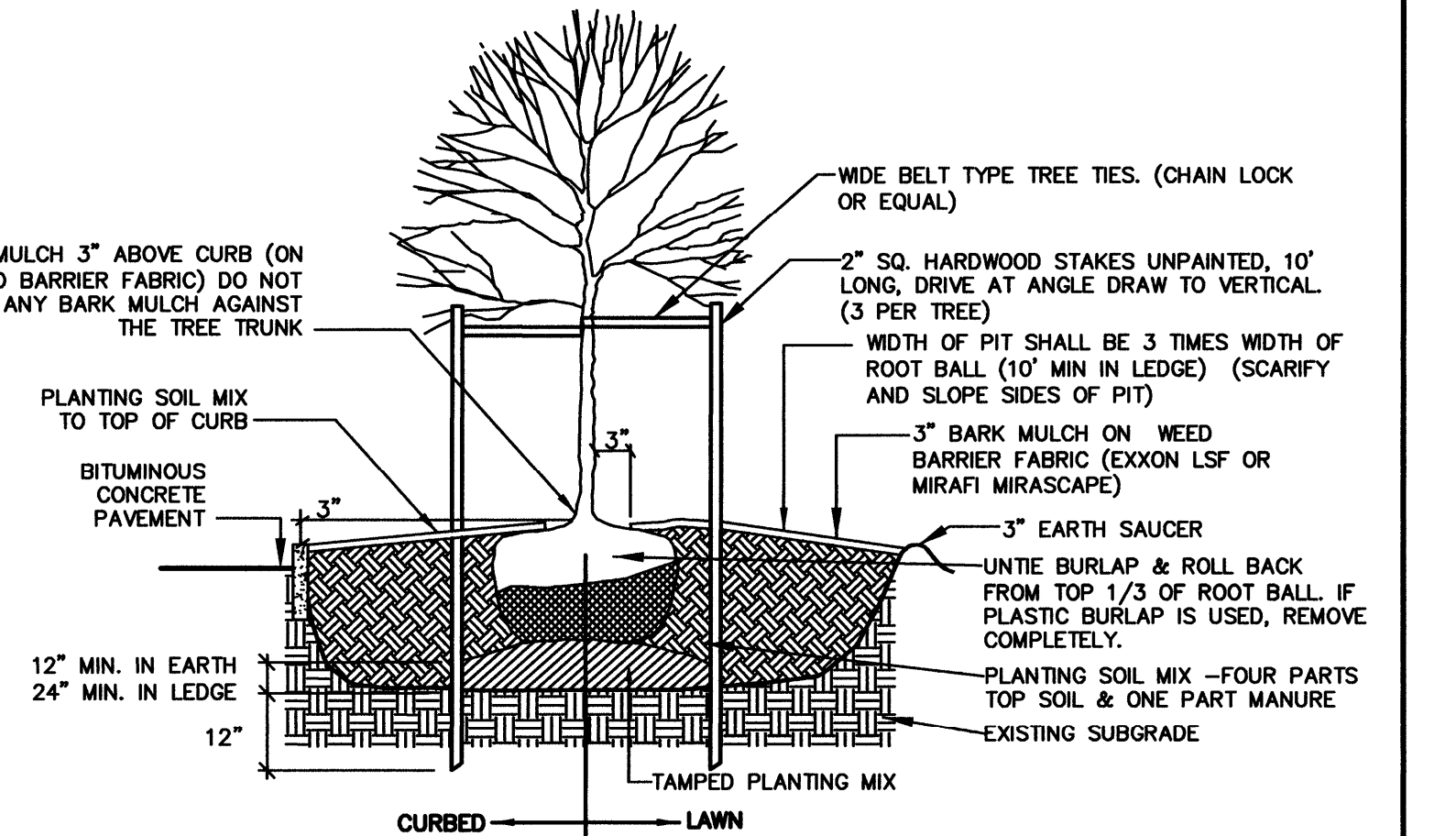


PLAN VIEW

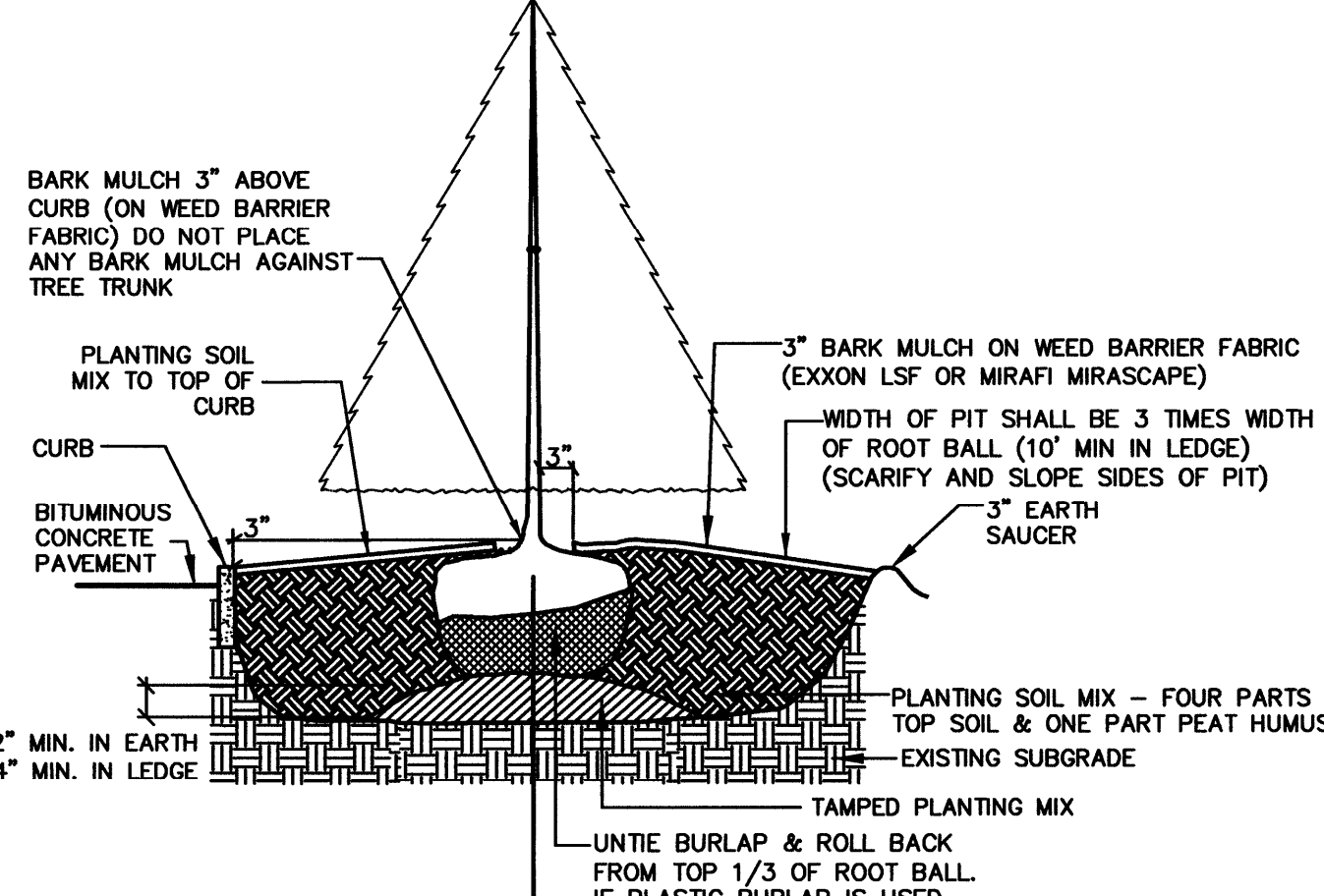
LIGHT POLE BASE
NOT TO SCALE



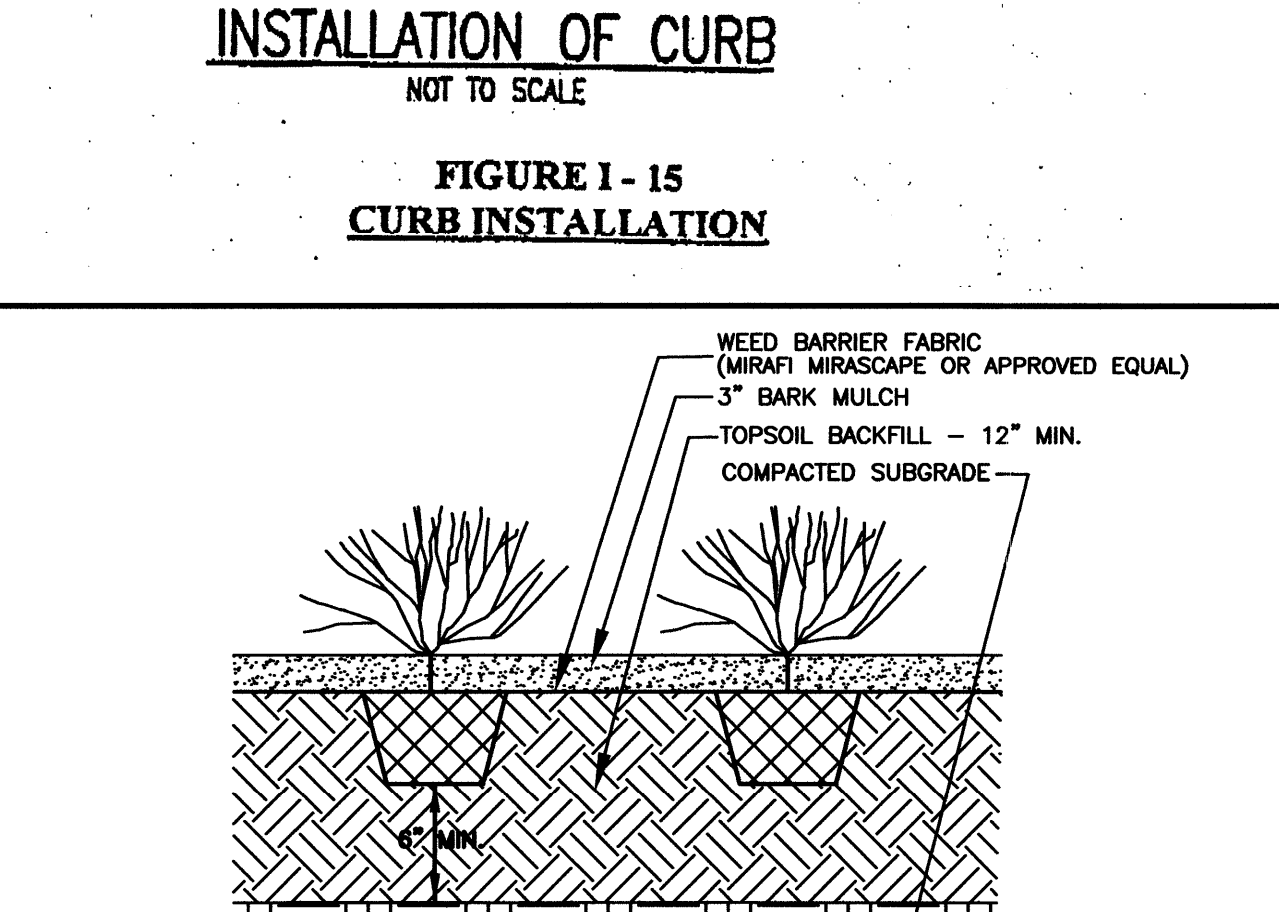
SHRUB PLANTING
NOT TO SCALE



DECIDUOUS PLANTING
NOT TO SCALE

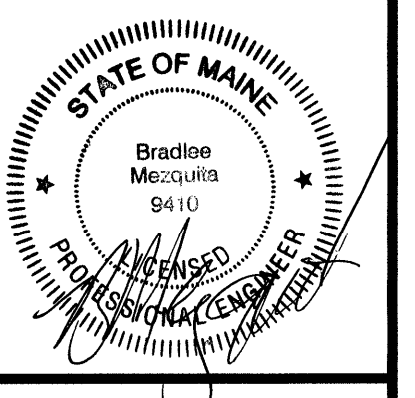


EVERGREEN TREE PLANTING
NOT TO SCALE



PERENNIAL PLANTING
NOT TO SCALE

NO.	REVISIONS	Date
4.	ISSUED FOR APPROVAL	7/8/08
3.	REVISED PER STAFF COMMENTS	5/15/08
2.	REVISED PER STAFF COMMENTS	4/30/08
1.	REVISED PER PRELIMINARY COMMENTS	4/17/08



DATE: MARCH 3, 2008
SCALE: AS SHOWN
DESIGNED BY: BLM/GY
DRAWN BY: SAM
APPROVED BY: BLM
PROJECT NO: 2256
FILE NO: 2256-DETAILS.DWG

WESTGATE PLAZA
CONGRESS STREET
PORTLAND, ME

Appledore Engineering Inc.
Pease International Tradeport
15 Rye Street, Suite 305
Portsmouth, New Hampshire 03801
(603) 433-8818
ae@appledoreeng.com