

CONSTRUCTION SPECIFICATIONS

AGGREGATE SIZE - 2 INCH STONE, OR RECLAIMED OR RECYCLED CONCRETE EQUIVALENT
LENGTH - 50 FOOT MINIMUM.
THICKNESS - SIX (6) INCHES (MINIMUM).
WIDTH - 10' MINIMUM
FILTER FABRIC - MIRAFI 600X OR APPROVED EQUAL.

INSTALLATION - THE AREA OF THE ENTRANCE SHOULD BE CLEARED OF ALL VEGETATION, ROOTS, AND OTHER OBJECTIONABLE MATERIAL. A ROAD STABILIZATION FILTER CLOTH CAN BE PLACED ON THE SUBGRADE PRIOR TO THE GRAVEL PLACEMENT TO PREVENT PUMPING. THE GRAVEL SHALL BE PLACED TO THE SPECIFIED DIMENSIONS.

MAINTENANCE - THE ENTRANCE SHALL BE MAINTAINED IN A CONDITION WHICH WILL PREVENT TRACKING OR FLOWING OF SEDIMENT ONTO PUBLIC RIGHTS-OF-WAY. THIS WILL REQUIRE PERIODIC TOP DRESSING WITH ADDITIONAL STONE OR ADDITIONAL LENGTH AS CONDITIONS DEMAND AND REPAIR AND/OR CLEANOUT OF ANY MEASURES USED TO TRAP SEDIMENT. ALL SEDIMENT SPILED, DROPPED, WASHED OR TRACKED ONTO PUBLIC RIGHTS-OF-WAY MUST BE REMOVED IMMEDIATELY.

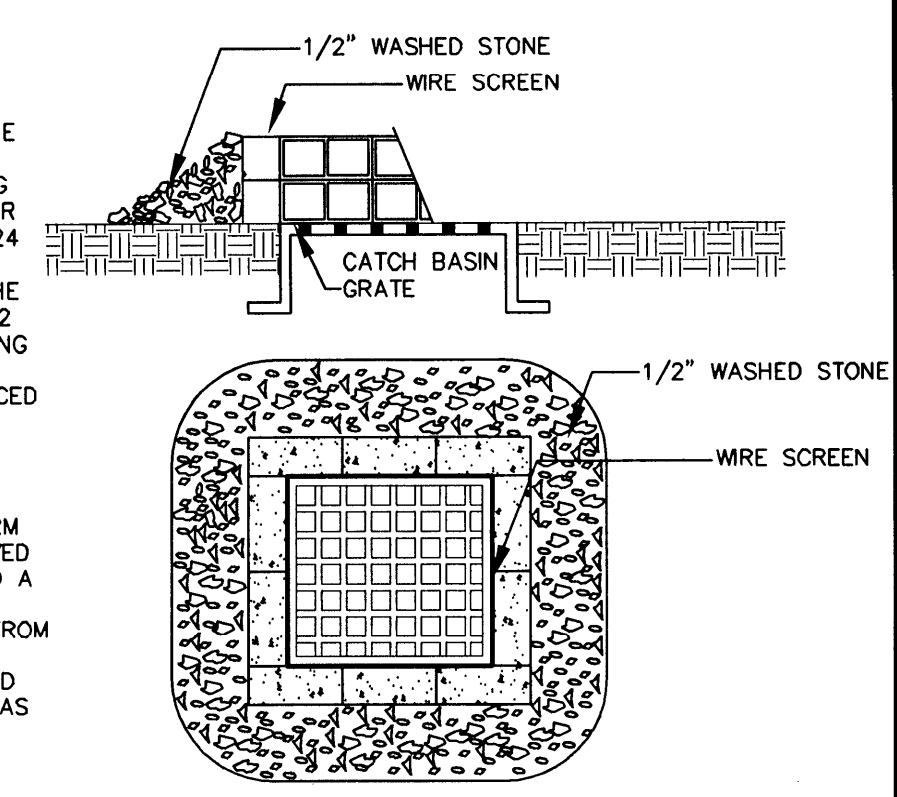
CRUSHED STONE GRADATION TABLE	
SIEVE SIZE	% PASSING BY WEIGHT
2 inches	100
1 1/2 inches	90-100
1 inch	20-55
3/4 inch	0-15
3/8 inch	0-5

STABILIZED CONSTRUCTION ENTRANCE
 NOT TO SCALE

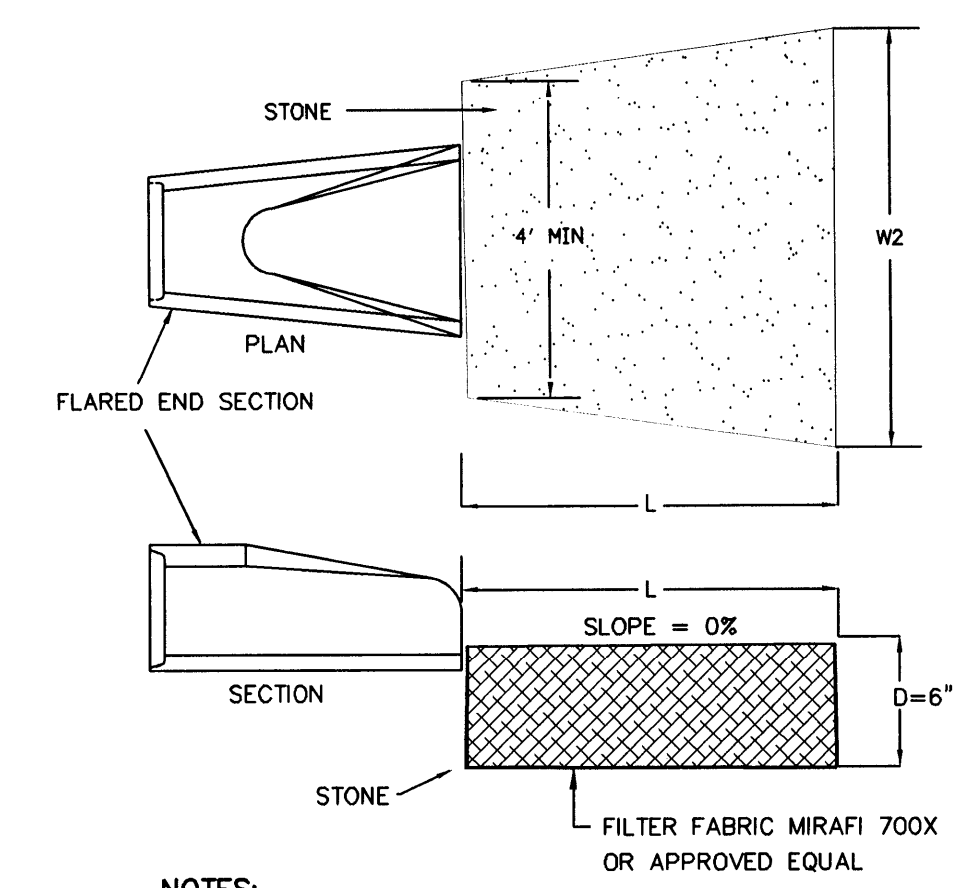
CONSTRUCTION SPECIFICATIONS:

1. CONCRETE BLOCKS SHOULD BE PLACED LENGTHWISE ON THEIR SIDE IN A SINGLE ROW AROUND THE PERIMETER OF THE INLET. THE ENDS OF EACH BLOCK SHOULD BE ABUTTING. THE HEIGHT OF THE BARRIER CAN BE VARIED DEPENDING ON THE DESIGN BY STACKING VARIOUS COMBINATIONS OF DIFFERENT SIZED BLOCKS. THE BARRIER SHOULD BE A MINIMUM OF 12 INCHES HIGH AND A MAXIMUM OF 24 INCHES HIGH.
2. HARDWARE CLOTH OR WIRE MESH SHOULD BE PLACED OVER THE OPENINGS OF THE CONCRETE BLOCKS AND EXTENDED AT LEAST 12 INCHES AROUND THE OPENING TO PREVENT AGGREGATE FROM BEING TRANSPORTED THROUGH THE OPENINGS IN THE BLOCK.
3. SEWER STONE OR CLEAN COARSE AGGREGATE SHOULD BE PLACED AGAINST THE BLOCK TO THE TOP OF THE BARRIER.

MAINTENANCE:
 ALL STRUCTURES SHOULD BE INSPECTED AFTER EVERY RAIN STORM AND REPAIRS MADE AS NECESSARY. SEDIMENT SHOULD BE REMOVED FROM THE TRAPPING DEVICES AFTER THE SEDIMENT HAS REACHED A MAXIMUM OF ONE HALF THE DEPTH OF THE TRAP. THE SEDIMENT SHOULD BE DISPOSED OF IN A SUITABLE AREA AND PROTECTED FROM EROSION BY EITHER STRUCTURAL OR VEGETATIVE MEANS. THE TEMPORARY TRAPS SHOULD BE REMOVED AND THE AREA REPAIRED AS SOON AS THE CONTRIBUTING DRAINAGE AREA TO THE INLET HAS BEEN COMPLETELY STABILIZED.



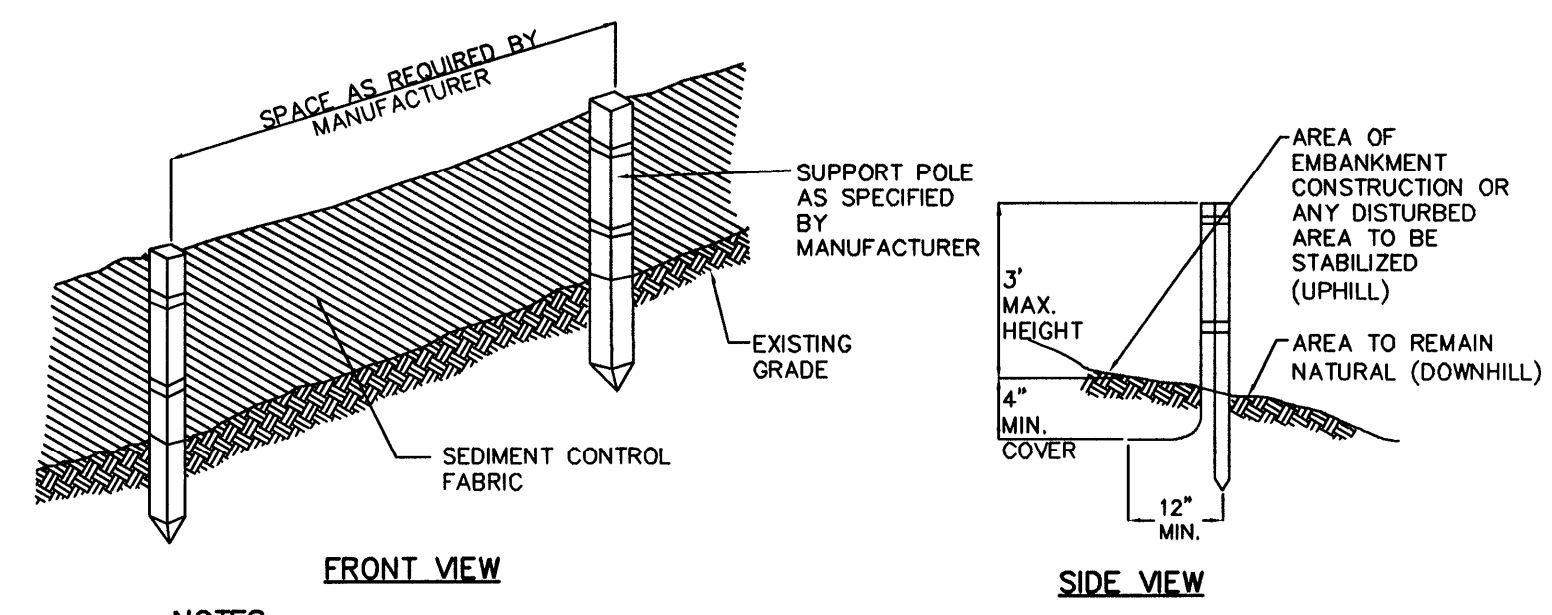
INLET PROTECTION BARRIER
 NOT TO SCALE



NOTES:

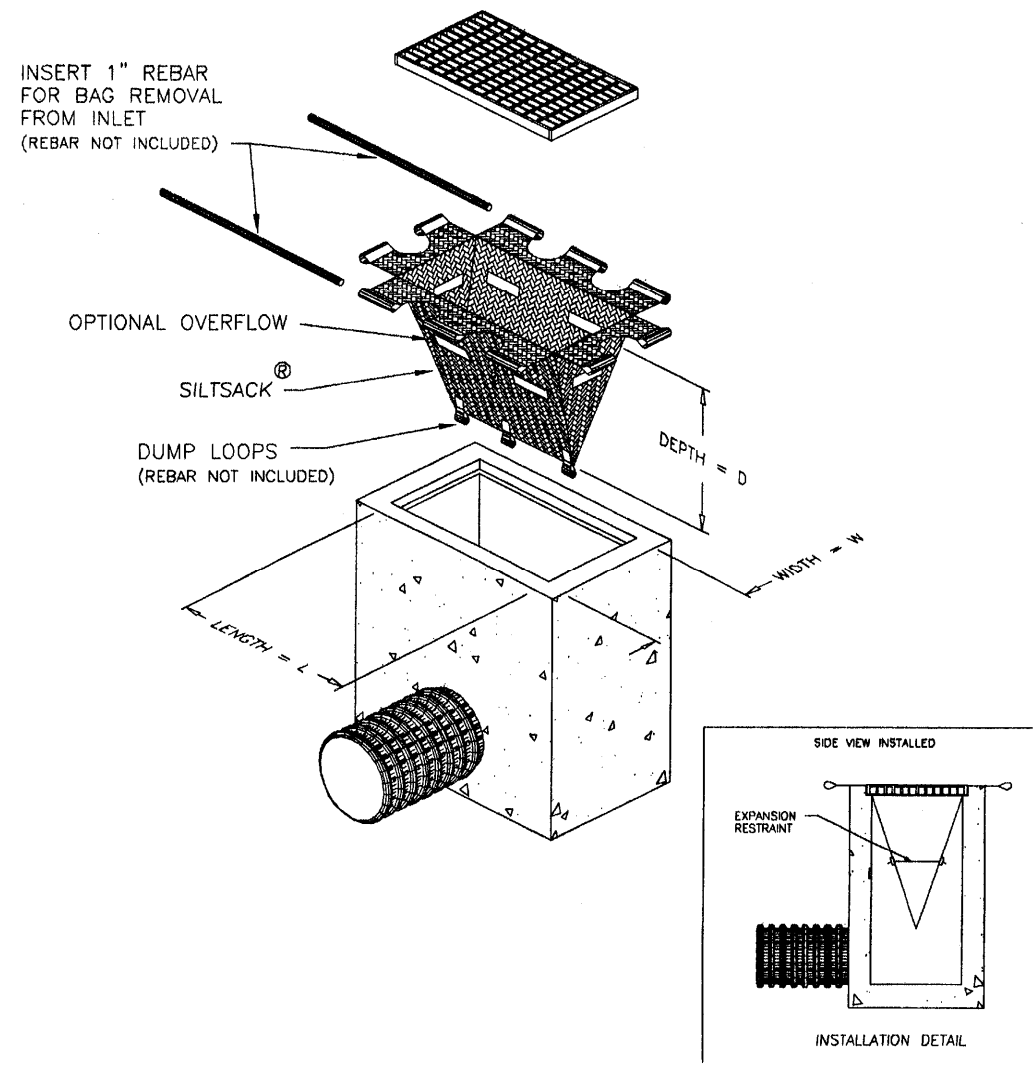
1. RIP RAP SHALL BE PLACED IN LOCATION AS SHOWN ON GRADING, DRAINAGE AND EROSION CONTROL PLAN. AT MINIMUM A 4' WIDE STRIP OF RIPRAP SHALL BE LOCATED BETWEEN THE PIPE OUTLET AND EDGE OF WETLAND.
2. FIELD STONE, QUARRY STONE, OR ROCK FRAGMENTS SHALL BE SOUND, OF APPROVED QUALITY, AND FREE FROM STRUCTURAL DEFECTS. THE STONES SHALL BE ANGULAR AND APPROXIMATELY RECTANGULAR IN SHAPE. FLAT OR ROUND ROCKS ARE NOT ACCEPTABLE.
3. A WELL GRADED MIXTURE OF ROCK SIZES SHALL BE USED FOR STONE. FIFTY PERCENT BY WEIGHT OF THE STONE MIXTURE SHALL BE SMALLER THAN THE MEDIAN SIZE STONE (d50=6"). THE LARGEST STONE SIZE IN THE MIXTURE SHALL BE 1.5 TIMES THE d50 SIZE.

RIP-RAP APRON
 NOT TO SCALE



NOTES:
 1. SEE EROSION CONTROL NOTES FOR MATERIAL, INSTALLATION AND MAINTENANCE REQUIREMENTS.

SILT FENCE
 NOT TO SCALE



- SILT SACK**
- A. SACK SHALL BE INSTALLED WITHIN CATCHBASIN, MAKING SURE EMPTY STRAPS ARE LAID FLAT OUTSIDE THE BASIN.
 - B. SACK SHALL FIT TIGHTLY WITHIN THE BASIN TO PREVENT SEDIMENT FROM GOING THROUGH ANY GAPS.
 - C. ALL STRUCTURES SHOULD BE INSPECTED AFTER EVERY RAINSTORM AND REPAIRS MADE AS NECESSARY.
 - D. SEDIMENT SHOULD BE REMOVED FROM THE DEVICES AFTER THE SEDIMENT HAS REACHED MAXIMUM OF ONE-THIRD THE DEPTH OF THE TRAP.
 - E. SILT SACK SHALL BE REMOVED UPON THE COMPLETION OF PROJECT.

NOTES:
 1. COORDINATE INLET PROTECTION WITH APPROVED MANUFACTURER AND SITE ENGINEER.
 2. SILT SACKS SHALL BE USED IN CATCHBASIN WHERE PATH IS WITHIN VEHICULAR TRAVEL WAY.

SILT SACK
 NOT TO SCALE

No.	Description	Appd	Date

DATE: JUNE 6, 2008
 SCALE: AS SHOWN
 DESIGNED BY: BLM/CY
 DRAWN BY: SAM/KAM
 APPROVED BY: BLM
 PROJECT NO.: 2256
 FILE NO.: 2256-CDETAILS.DWG

**WESTGATE PLAZA
 CONGRESS STREET
 PORTLAND, ME**

**Appliedore
 Engineering Inc.**
 Pease International Tradeport
 15 Rye Street, Suite 305
 Portsmouth, New Hampshire 03801
 (603) 433-8818
 aei@appliedoreeng.com

FOR BIDDING PURPOSES ONLY