

LIGHTING FLOOR PLAN
Scale: 1/8" = 1'-0"

LIGHTING FIXTURE SCHEDULE										
PROVIDE ALL FIXTURES WITH COMPLETE HARDWARE, LAMPS, HANGERS, FITTINGS, ETC. FOR A COMPLETE AND PROPER MANUFACTURER'S RECOMMENDED, UL INSTALLATION.										
TYPE	MANUFACTURER	CATALOG NO.	MTG.	VOLT	LAMPS			REMARKS/BALLAST INFORMATION	NOTES	
					NO.	WATT	TYPE			
A2	2'x2' TROFFER	COLUMBIA	4PS22-317GSA12.125-E277	R	120	3	17	17 WATT - TB	PROVIDE WITH "EFFICIENCY MAINE" BALLAST AND LAMP COMBINATION	①
A3	2'x4' 3-LAMP TROFFER	COLUMBIA	4PS24-332GSA12.125-E277	R	120	3	32	32 WATT - TB	PROVIDE WITH "EFFICIENCY MAINE" BALLAST AND LAMP COMBINATION	①③
A4	2'x4' 4-LAMP TROFFER	COLUMBIA	4PS24-432GSA12.125-E277	R	120	4	32	32 WATT - TB	PROVIDE WITH "EFFICIENCY MAINE" BALLAST AND LAMP COMBINATION	①③
B2	2'x2' INDIRECT FLOURESCENT 3-LAMP FOCAL POINT		FM42-22-3-TB-1C-120-S-G-WH	R	120	3	17	17 WATT - TB	PROVIDE WITH "EFFICIENCY MAINE" BALLAST AND LAMP COMBINATION	①
B4	2'x4' INDIRECT FLOURESCENT 3-LAMP FOCAL POINT		FM42-24-3-TB-2C-120-S-G-WH	R	120	3	32	32 WATT - TB	PROVIDE WITH "EFFICIENCY MAINE" BALLAST AND LAMP COMBINATION	①③
C	6" SHOWER DOWNLIGHT	PRESCOLITE	TBX-TL89	R	120	1	32	32 WATT - TT CFL	---	①
D6	6" LENSED DOWNLIGHT	PRESCOLITE	CFT632EB-STF602-MFC-PL-TRG-B24	R	120	1	26	26 WATT - TT CFL	---	①
D8	8" LENSED DOWNLIGHT	PRESCOLITE	CFT832EB-STF802-MFC-PL-TRG-B24	R	120	1	32	32 WATT - TT CFL	---	①
D8D	8" DIMMABLE LENSED DOWNLIGHT	PRESCOLITE	CFT832EB-DM-STF802-MFC-PL-TRG-B24	R	120	1	42	42 WATT - TT CFL	---	①
E	EXIT LIGHT, SELF-DIAGNOSTICS, SINGLE OR DOUBLE FACE AS NEEDED	DUAL-LITE	SE-S/D-R-W-E-1	-	120	-	-	LED	PROVIDE WITH SELF-DIAGNOSTICS SINGLE OR DOUBLE FACE AS NEEDED	④
F	4' DIRECT/INDIRECT LINEAR FLOURESCENT FINELITE		SB-PP-4'-2TB-SC-EP-120-FA-RE	W	120	2	32	32 WATT - TB	PROVIDE WITH "EFFICIENCY MAINE" BALLAST AND LAMP COMBINATION	①
G	WALL SURFACE MOUNT WET LOCATION FIXTURE	DEVINE LIGHTING	BCR15-100MH-120-SAL	-	120	1	100	100 WATT - MH	COORDINATE INSTALLATION LAMP-FQ26W/G242/835	
H1	EMERGENCY LIGHTING BATTERY PACK/W LAMPHEADS	DUAL-LITE	AS360-12V-1V-6000	-	120	2	7.2W	-	PROVIDE WITH SELF-DIAGNOSTICS MOUNT ON SHELF	
H2	EMERGENCY LIGHTING REMOTE LIGHTS	DUAL-LITE	SRH/DW1207	-	120	1/2	7.2W	-	PROVIDE WITH FLUSH JUNCTION BOX AND #12 CONDUCTORS	②
H3	EMERGENCY LIGHT	DUAL-LITE	TG50-12V	-	120	2	7.2W	-	PROVIDE WITH SELF-DIAGNOSTICS AND #12 CONDUCTORS	③
K	EXTERIOR WALL MOUNT FIXTURE	DEVINE LIGHTING	BC018-100MH-120-DB2-LP	-	120	1	100W	100W - METAL HALIDE	LAMP INCLUDED PHOTOCELL CONTROLLED	
S	SHOWER LIGHT INTEGRAL TO SHOWER STALL FURNISHED BY DIV. 15, INSTALLED BY DIV. 16			-	120	-	-	-	---	
U4	48" UNDERCOUNTER FIXTURE	ALICCO	L2F4-120-SWH	-	120	1	28W	28 WATT - TS	PROVIDE WITH "EFFICIENCY MAINE" BALLAST AND LAMP COMBINATION	
W2	WRAPAROUND	COLUMBIA	AD2-217-E120	-	120	2	17	17 WATT - TB	PROVIDE WITH "EFFICIENCY MAINE" BALLAST AND LAMP COMBINATION	
W4	WRAPAROUND	COLUMBIA	AD4-232-E120	-	120	2	32	32 WATT - TB	PROVIDE WITH "EFFICIENCY MAINE" BALLAST AND LAMP COMBINATION	
V2	WALL MOUNT VANITY FIXTURE	COLUMBIA	SA2-2-217-E120	-	120	2	17	17 WATT - TB	PROVIDE WITH "EFFICIENCY MAINE" BALLAST AND LAMP COMBINATION	
V4	WALL MOUNT VANITY FIXTURE	COLUMBIA	SAM4-232-E120	-	120	2	32	32 WATT - TB	PROVIDE WITH "EFFICIENCY MAINE" BALLAST AND LAMP COMBINATION	

LIGHTING FIXTURE SCHEDULE NOTES

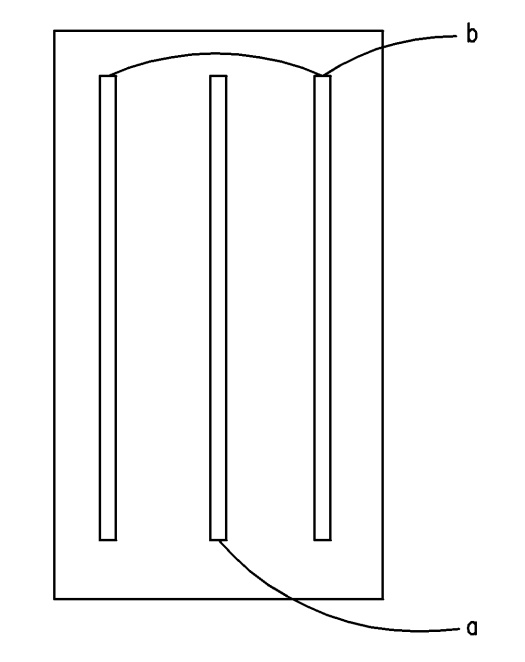
- ① COORDINATE WITH "EFFICIENCY MAINE".
- ② PROVIDE DUAL-LITE #1207 PER HEAD SHOWN FOR EXTERIOR, POOL AREA AND SHOWER ROOMS REMOTE EMERGENCY LIGHTING HEADS.
- ③ PROVIDE FOR LOCAL AREA EMERGENCY LIGHTING.
- ④ SEE POWER AND SYSTEMS DRAWING E20.1 FOR LOCATIONS OF EXIT SIGNS.
- ⑤ PROVIDE BALLASTS FOR DUAL SWITCHING APPLICATIONS WHERE SHOWN.

GENERAL NOTES

- 1. PROVIDE LOW VOLTAGE SWITCHING AND CONTROL PANEL MANUFACTURER TBD.

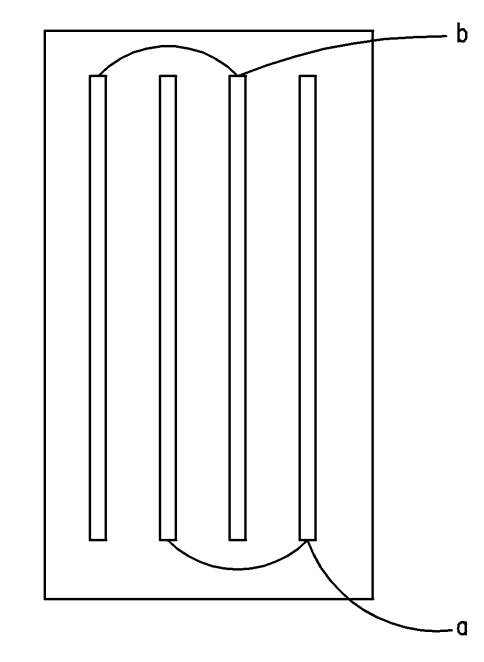
NEW LIGHTING KEY NOTES

- ① MOUNT CENTERED ABOVE DOOR.
- ② PROVIDE SHELF TO MOUNT EMERGENCY LIGHTING BATTERY PACK. SEE LIGHTING SCHEDULE.
- ③ MOUNT AT 9'-6" AFG. COORDINATE WITH OWNER FOR FINAL LOCATION.
- ④ CONNECT TO 3 AND 4-WAY, a/b SWITCHES AT ENTRANCES TO FACILITIES.
- ⑤ CONNECT TO 3-WAY, SWITCHES AT OPPOSITE ENTRANCES TO RECEPTION AREA.
- ⑥ PROVIDE DOOR JAMB SWITCH FOR POOL STORAGE ROOM.



(TYPE A3, B4)

SWITCHING DETAIL - 3-LAMP FIXTURES
Scale: NTS



(TYPE A4)

SWITCHING DETAIL - 4-LAMP FIXTURES
Scale: NTS

HARRIMAN
Architects + Engineers
One Auburn Business Park
Auburn, Maine 04210
207.784.5100 tel
207.782.3017 fax
66 Pearl St., Suite 301
Portland, Maine 04101
207.775.0053 tel
207.775.0460 fax
www.harriman.com
© 2007

Project Title
MERCY HEALTH CENTER WESTGATE PLAZA
PORTLAND, MAINE
HA Project No. **07182**
Key Plan

07/01/08	ISSUED FOR PERMIT	
06/26/08	100% REVIEW SET	
6/17/08	50% REVIEW SET	
Mark	Date	Description
Issue Dates		

Drawing Status
Drawing Title
ELECTRICAL LIGHTING FIRST FLOOR PLAN
PA / PE: WRH Drawn By: RJB
Drawing Number
E10.1