

LEGEND

- LP-1,3 ← BRANCH CIRCUIT HOMERUNS - ARROWS INDICATE NUMBER OF CIRCUITS.
- ↑ CIRCUIT NUMBER(S)
- PANEL DESIGNATION
- WIRING CONCEALED IN WALL OR CEILING
- WIRING IN RACEWAY CONCEALED UNDER FLOOR

LIGHTING

- 2' x 4' FLUORESCENT FIXTURE - SEE LIGHTING FIXTURE SCHEDULE
- 2' x 2' FLUORESCENT FIXTURE - SEE LIGHTING FIXTURE SCHEDULE
- CEILING MOUNTED FIXTURE - SEE LIGHTING FIXTURE SCHEDULE
- S SINGLE POLE SWITCH - MOUNTED C/L UP 46" UNLESS NOTED OTHERWISE
- S2 DOUBLE POLE SWITCH - MOUNTED C/L UP 46" UNLESS NOTED OTHERWISE
- S3 THREE-WAY SWITCH - MOUNTED C/L UP 46" UNLESS NOTED OTHERWISE
- S4 FOUR-WAY SWITCH - MOUNTED C/L UP 46" UNLESS NOTED OTHERWISE
- Sp SWITCH AND PILOT LAMP - MOUNTED C/L UP 46" UNLESS NOTED OTHERWISE
- So DIMMER SWITCH - MOUNTED C/L UP 46" UNLESS NOTED OTHERWISE
- Sp SWITCH - HORSE POWER RATED - SIZE AS REQUIRED.
- So SWITCH - SUBLETTER INDICATES SWITCH CONTROL.
- ⊙ CEILING MOUNTED LIGHTING OCCUPANCY SENSOR
WATSTOPPER MODELS #WT2205 & WT2255,
CONTRACTOR SHALL FOLLOW MANUFACTURERS INSTALLATION REQUIREMENTS

EMERGENCY LIGHTING DEVICES

- ⊙ EXIT SIGN WITH ARROWS AS INDICATED OR FLAT LINE INDICATES SIGN FACE - CEILING MOUNTED, EXCEPT AS NOTED.
- ⊙ EXIT SIGN WITH ARROWS AS INDICATED OR FLAT LINE INDICATES SIGN FACE - WALL MOUNTED TIGHT TO CEILING, EXCEPT AS NOTED.
- ⊙ EMERGENCY LIGHTING BATTERY UNIT - WALL MOUNTED UP 7'-6", NUMERAL INDICATES BATTERY ID NUMBER, SEE SPEC FOR DC AS NOTED.
- ⊙ EMERGENCY LIGHTING REMOTE HEAD WITH NUMBER OF HEADS AS INDICATED - MOUNTED UP 7'-6", NUMERAL INDICATES BATTERY UNIT CONNECTED TO.
- ⊙ EXTERIOR EMERGENCY LIGHTING REMOTE HEAD WITH NUMBER OF HEADS AS INDICATED - MOUNTED UP 7'-6", NUMERAL INDICATES BATTERY UNIT CONNECTED TO.

- POWER
- ⊙ DUPLEX CONVENIENCE RECEPTACLE - MOUNTED C/L UP 22" UNLESS NOTED OTHERWISE
 - ⊙ SINGLE CONVENIENCE RECEPTACLE - MOUNTED C/L UP 22" UNLESS NOTED OTHERWISE
 - ⊙ DOUBLE DUPLEX CONVENIENCE RECEPTACLE IN TWO GANG WALL BOX - MOUNTED C/L UP 22" UNLESS NOTED OTHERWISE
 - TR = TAMPER RESISTANT
 - GF = GROUND FAULT CIRCUIT INTERRUPTER
 - AFI = ARC FAULT CIRCUIT INTERRUPTER

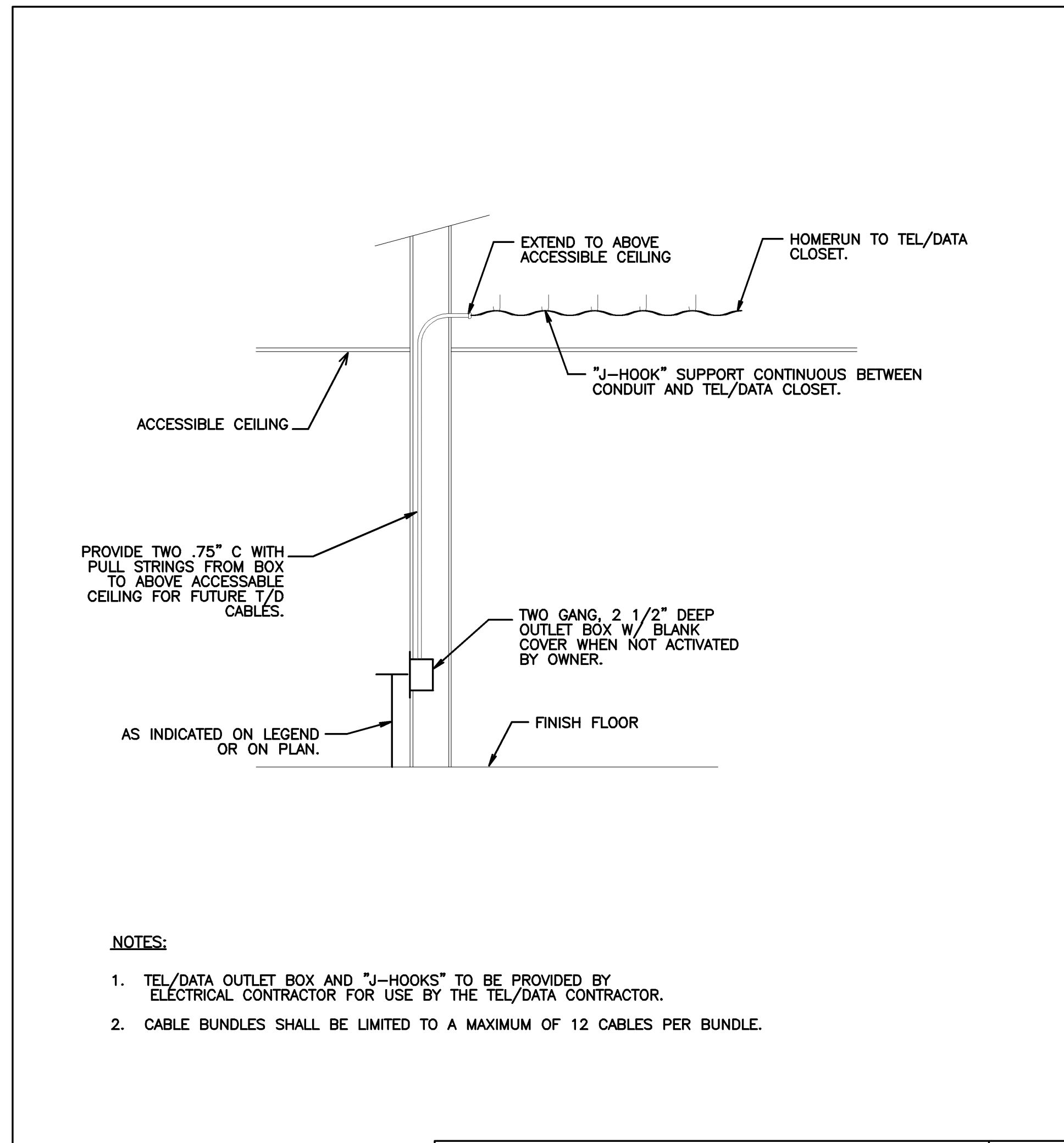
- ⊙ FLUSH CEILING MOUNTED DEVICE BOXES WITH DUPLEX RECEPTACLE AND COVERPLATES, ONE FOR POWER, ONE FOR DATA TO SERVE VIDEO PROJECTOR. PROVIDE WITH 15' MC CABLE SLACK TO ALLOW RELOCATION. PROPERLY SUPPORT MC CABLE. VERIFY FINAL LOCATION WITH OWNER. PROVIDE A 2'x2' PROJECTOR CEILING PLATE AND MOUNT DEVICES IN PLATE WITH BACK BOXES.
- ⊙ PROVISIONS FOR VOICE & DATA OUTLET FOR DIV. 27'S USE. TWO GANG WALL BOX WITH TWO 1" TO ABOVE AN ACCESSIBLE CEILING - MOUNTED C/L UP SAME AS ASSOCIATED RECEPTACLE
- ⊙ PROVISIONS FOR VOICE & DATA OUTLET FOR DIV. 27'S USE. TWO GANG WALL BOX WITH TWO 1" TO ABOVE AN ACCESSIBLE CEILING - MOUNTED C/L UP 46" UNLESS NOTED OTHERWISE
- ⊙ PROVISIONS FOR AUDIO/VISUAL SYSTEMS. TWO GANG WALL BOX WITH CONDUITS SEE DETAIL ON DRAWING E50.1
- ⊙ SPECIAL OUTLET AS INDICATED - MOUNTED AS INDICATED
- ⊙ ELECTRICAL MOTOR
- ⊙ MOTOR CONTROL EQUIPMENT
- ⊙ DISCONNECT SWITCH - FUSED WHEN NOTED - SIZE AS REQUIRED OR AS INDICATED FUSED
- ⊙ DISCONNECT SWITCH - SIZE FUSES AS RECOMMENDED BY MANUFACTURER
- ⊙ JUNCTION BOX - SIZE AS REQUIRED OR AS INDICATED
- ⊙ LIGHTING/POWER PANELBOARD (SURFACE)
- ⊙ LIGHTING/POWER PANELBOARD (RECESSED)

FIRE ALARM DEVICES

- ⊙ FIREMANS KEY BOX
- ⊙ FIRE ALARM RECALL HORN
- ⊙ FIRE ALARM CONTROL PANEL
- ⊙ FIRE ALARM ANNUNCIATOR PANEL
- ⊙ SMOKE DETECTOR - CEILING MOUNTED
- ⊙ BEAM SMOKE DETECTOR - CEILING MOUNTED
- ⊙ DUCT DETECTOR WITH SAMPLING TUBE - SEE MECHANICAL DRAWING FOR LOCATIONS - COORDINATE WITH DIV. 23.
- ⊙ HEAT DETECTOR - MOUNTED ON CEILING
- ⊙ FIRE ALARM RECALL HORN
- ⊙ FIRE ALARM HORN LOUD SPEAKER
- ⊙ FIRE ALARM SPEAKER/LIGHT (STROBE) UNIT - 15/75 WHERE NOT OTHERWISE INDICATED ON PLANS - MTD C/L UP 80" ON WALL OR 80" ABOVE TOP OF BLEACHERS WHERE APPLICABLE.
- ⊙ FIRE ALARM HORN/LIGHT UNIT, CANDLE POWER (CD) PER NFPA 72 AND AS NOTED - 15/75 WHERE NOT OTHERWISE INDICATED ON PLANS - MOUNTED BOTTOM OF STROBE UP 80" ON WALL
- ⊙ FIRE ALARM STROBE LIGHT UNIT, CANDLE POWER (CD) PER NFPA 72 AND AS NOTED - 15/75 WHERE NOT OTHERWISE INDICATED ON PLANS - MOUNTED BOTTOM OF STROBE UP 80" ON WALL
- ⊙ FIRE ALARM MANUAL PULL STATION - MOUNTED C/L UP 46"
- ⊙ SPRINKLER FLOW SWITCH
- ⊙ SPRINKLER TAMPER SWITCH

MISCELLANEOUS

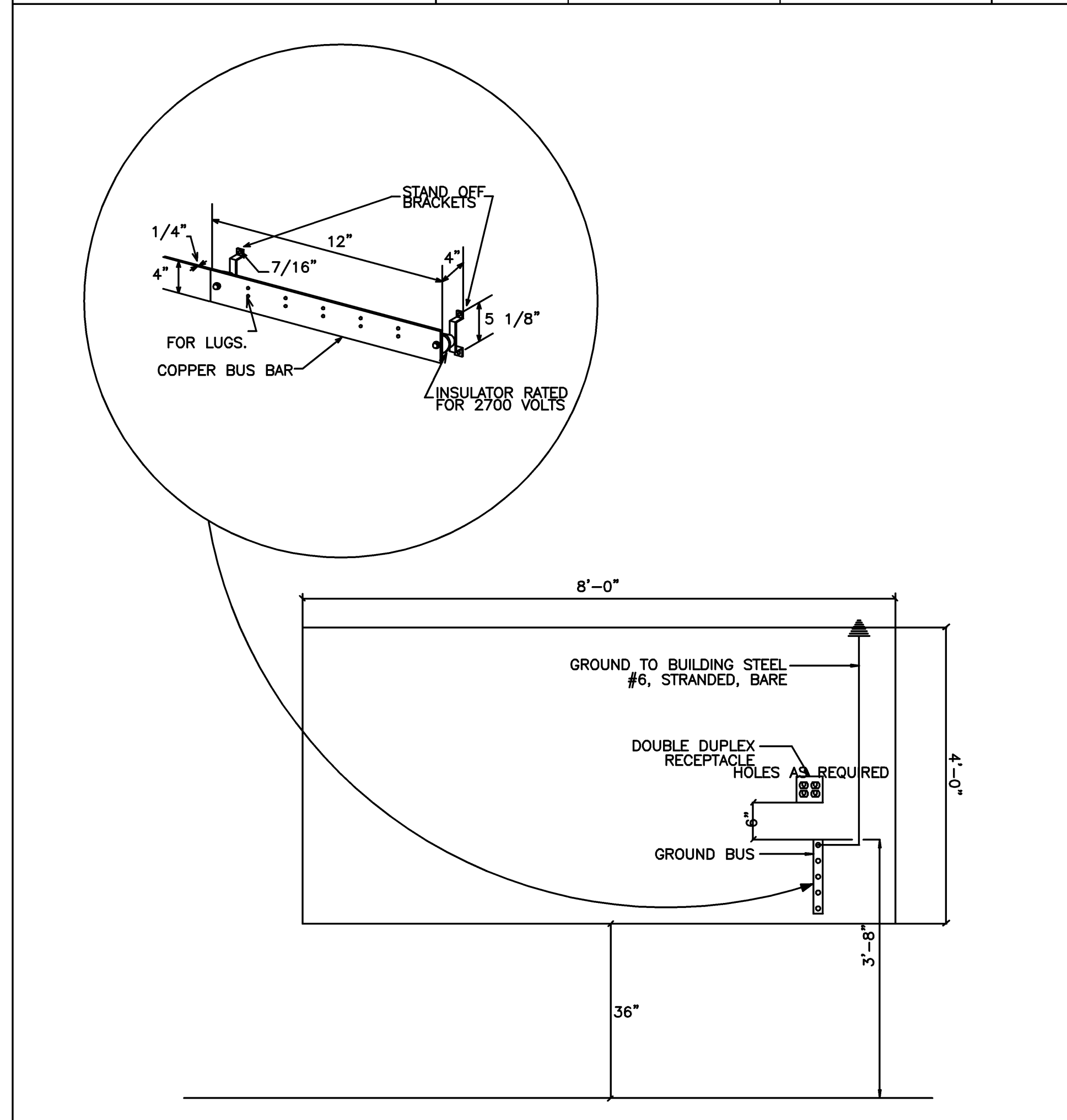
- ⊙ PROVISIONS FOR CARD READER AND INTRUSION DETECTION SYSTEM DISARM - SINGLE GANG WALL BOX WITH 3/4" CONDUIT TO ABOVE AN ACCESSIBLE CEILING - MOUNTED C/L UP 46" UNLESS NOTED OTHERWISE - SEE DETAILS ON E70 SERIES DRAWINGS
- ⊙ REMOTE TEST AND INDICATING STATION (DUCT SMOKE DETECTOR)
- ⊙ PROVISIONS FOR CCTV CAMERA - SEE PLANS FOR MOUNTING HEIGHT - CEILING MOUNTED IF NO HEIGHT GIVEN. PROVIDE WEATHER PROOF WALL BOX FOR EXTERIOR CAMERA LOCATIONS AND JUNCTION BOX ABOVE THE CEILING FOR INTERIOR CAMERAS.
- ⊙ DOOR SWITCH - SEE DETAIL ON E70 SERIES DRAWINGS ELECTRIC
- ⊙ DOOR STRIKE - SEE E70 SERIES DRAWINGS
- ⊙ ELECTRIC DOOR HOLDER/CLOSER - COORDINATE WITH DOOR HARDWARE
- ⊙ RELAY OR CONTACTOR - SIZE AS REQUIRED OR AS INDICATED
- ⊙ CLOCK/SPEAKER OUTLET - SINGLE GANG JUNCTION BOX WITH ONE 3/4" CONDUIT TO ABOVE ACCESSIBLE CEILING - MOUNTED C/L UP 8'-6" UNLESS NOTED OTHERWISE.
- ⊙ CLOCK, B-BATTERY
- ⊙ WEATHER PROOF
- ⊙ GROUND FAULT CIRCUIT INTERRUPTER
- ⊙ AUTO DOOR PUSH PAD - MOUNT AT 46"
- ⊙ CARD SWIPE (CARD READER) - FURNISHED BY MERCY HOSPITAL, INSTALLED BY CONTRACTOR.



NOTES:

1. TEL/DATA OUTLET BOX AND "J-HOOKS" TO BE PROVIDED BY ELECTRICAL CONTRACTOR FOR USE BY THE TEL/DATA CONTRACTOR.
2. CABLE BUNDLES SHALL BE LIMITED TO A MAXIMUM OF 12 CABLES PER BUNDLE.

TYPICAL PROVISIONS FOR VOICE/DATA
SCALE: NONE REF: NA **A2**



TEL/DATA BACKBOARD - TYPICAL
SCALE: NONE REF: NA **A1**

HARRIMAN
Architects + Engineers
One Auburn Business Park
Auburn, Maine 04210
207.784.5100 tel
207.782.3017 fax
56 Pearl St., Suite 301
Portland, Maine 04101
207.775.0053 tel
207.775.0460 fax
www.harriman.com
© 2007

Project Title
MERCY HEALTH CENTER WESTGATE PLAZA
PORTLAND, MAINE
HA Project No. **07182**
Key Plan

| | | |
|-------------|-------------------|-------------|
| 07/01/08 | ISSUED FOR PERMIT | |
| 06/26/08 | 100% REVIEW SET | |
| 6/17/08 | 50% REVIEW SET | |
| Mark | Date | Description |
| Issue Dates | | |

Drawing Status

Drawing Title
ELECTRICAL LEGEND, DETAILS AND ABBREVIATIONS
PA / PE: WRH Drawn By: RJB
Drawing Number
E00.1