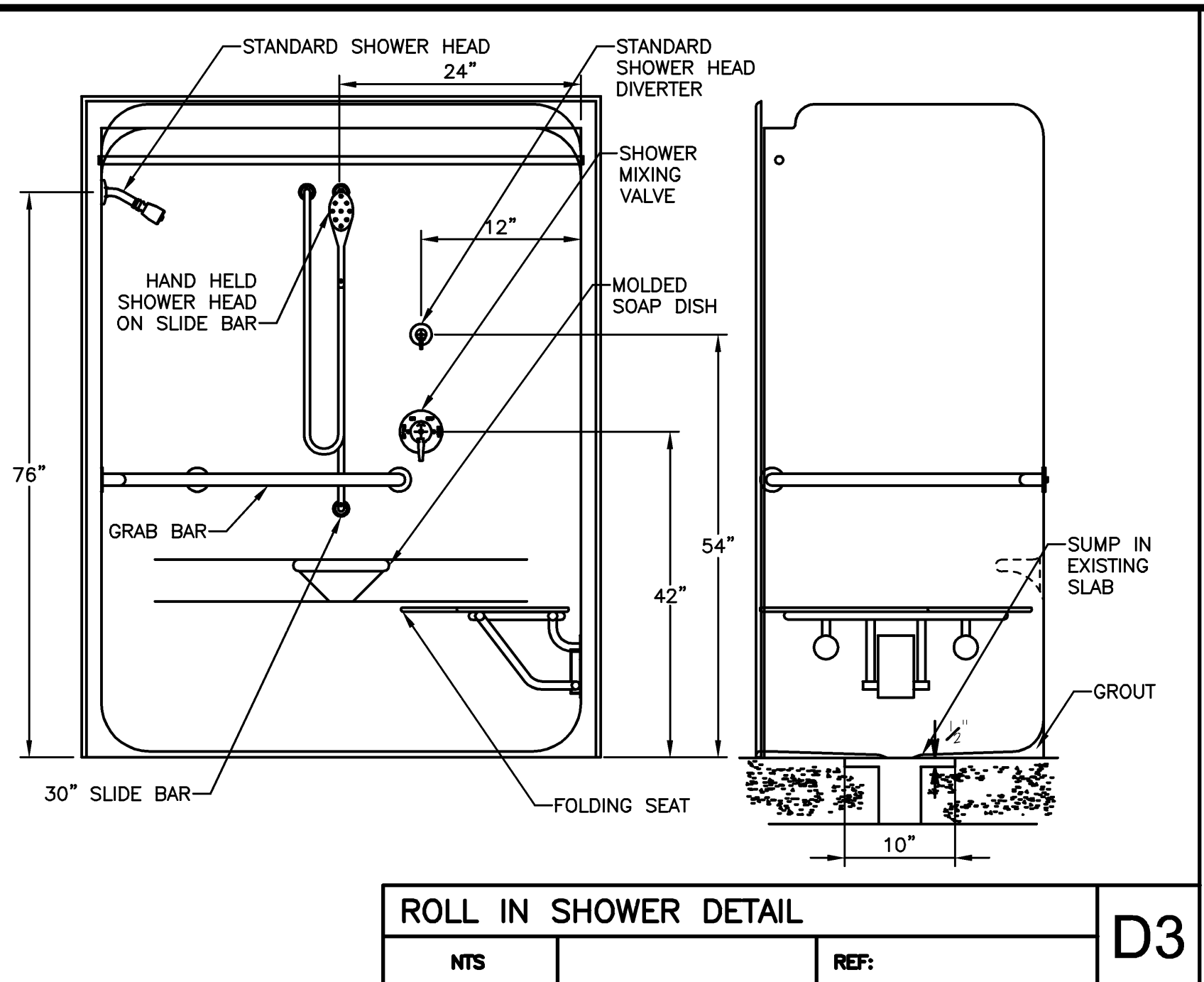
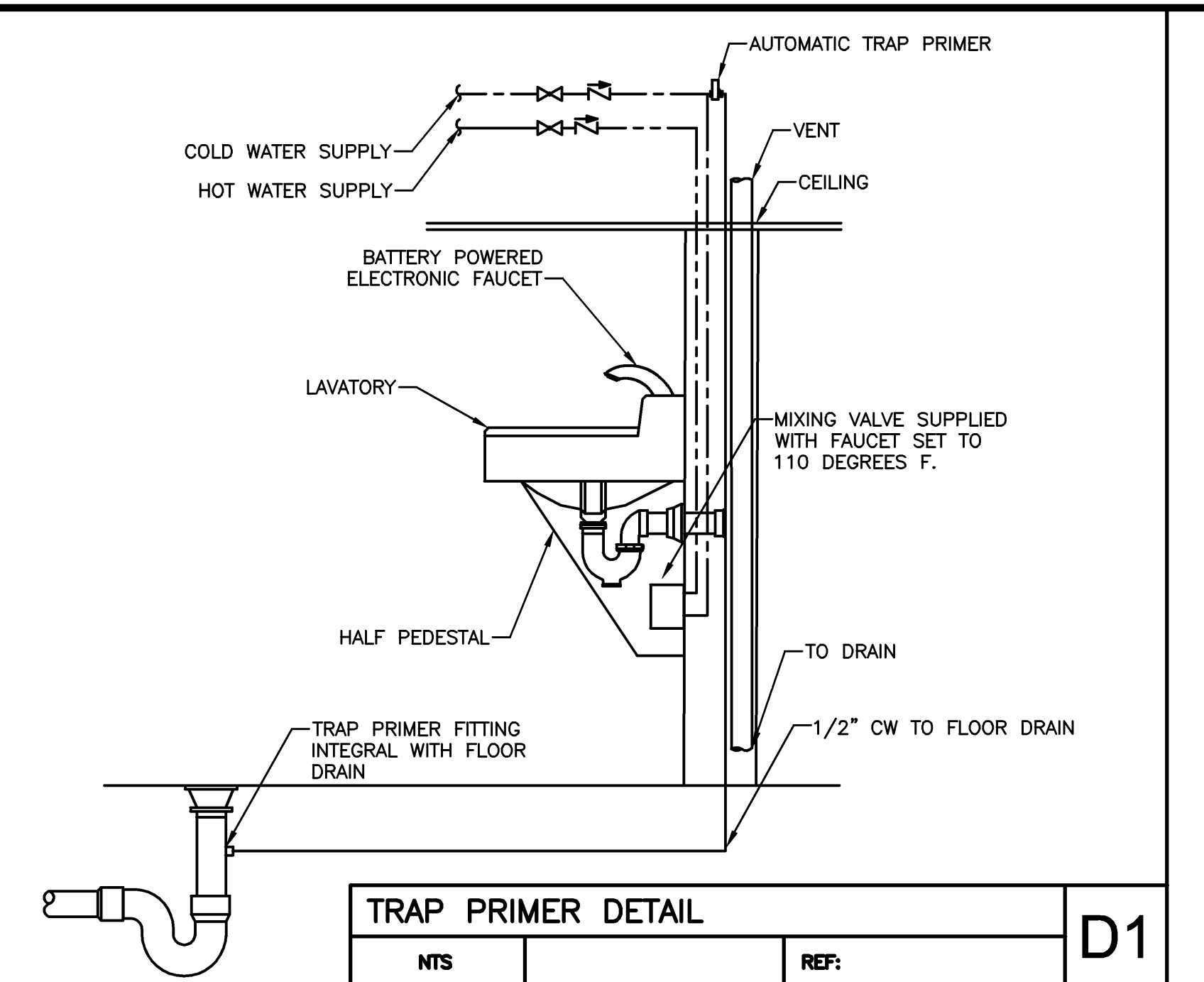


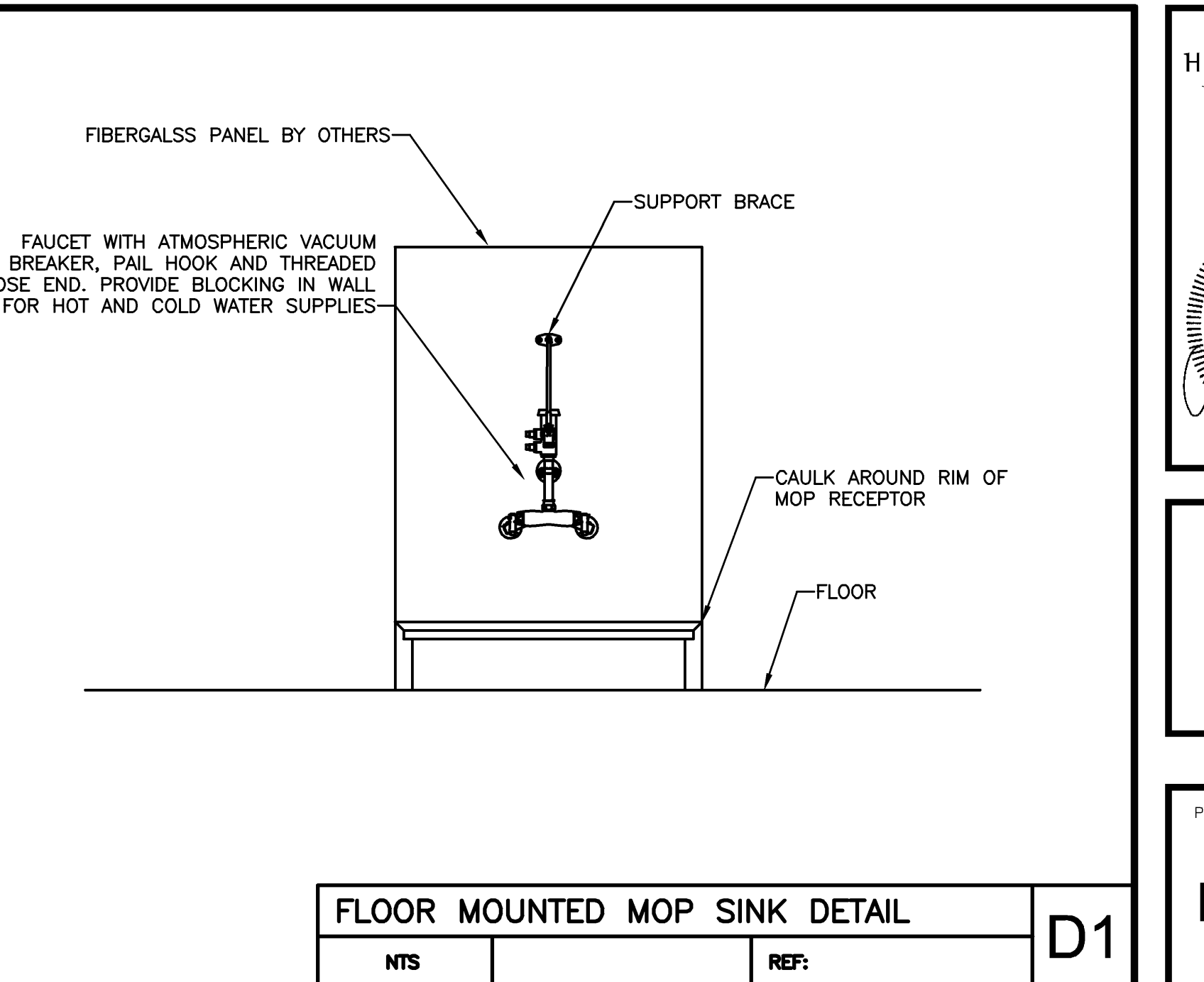
WATER HEATER DETAIL
NTS REF: **D4**



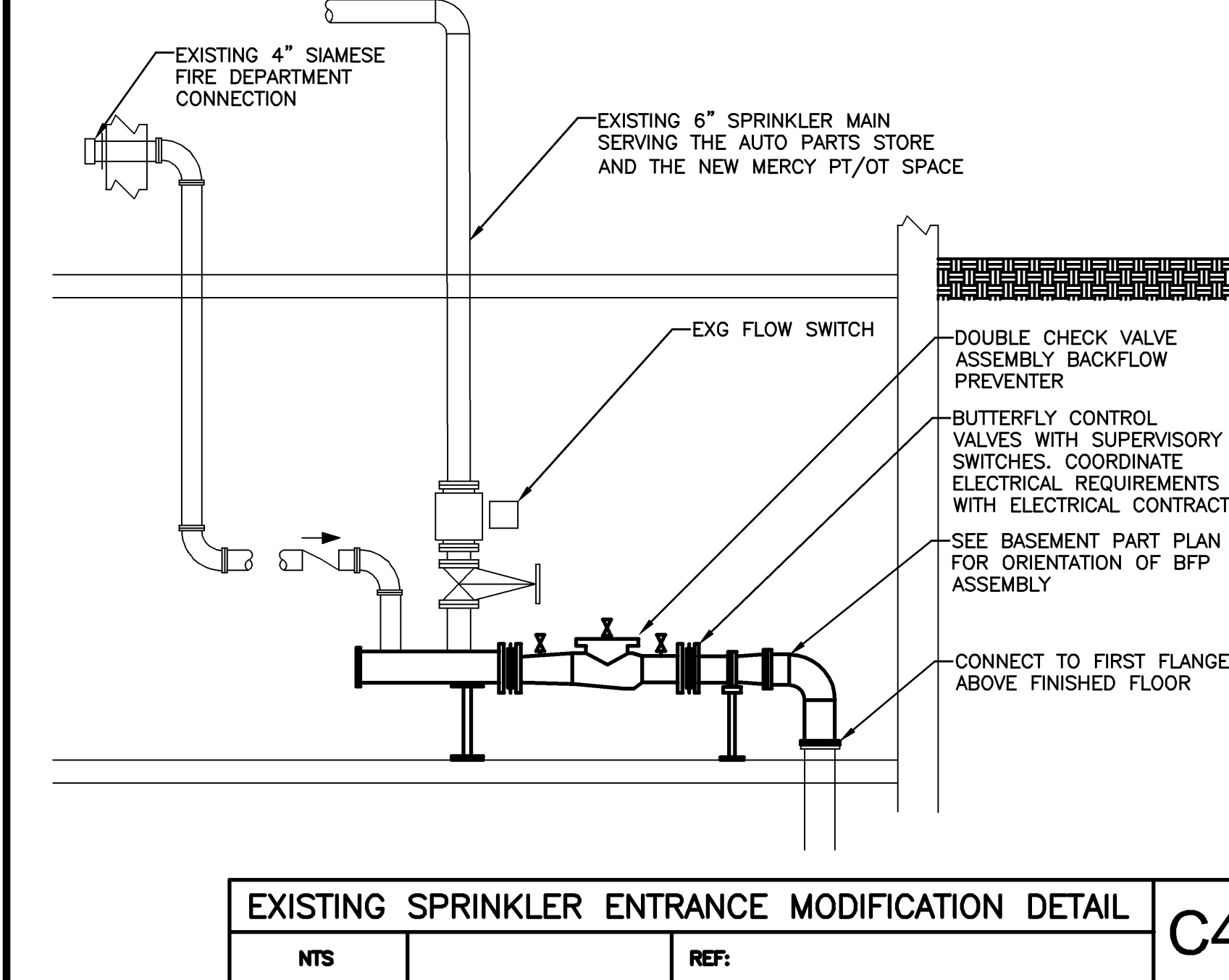
ROLL IN SHOWER DETAIL
NTS REF: **D3**



TRAP PRIMER DETAIL
NTS REF: **D1**



FLOOR MOUNTED MOP SINK DETAIL
NTS REF: **D1**

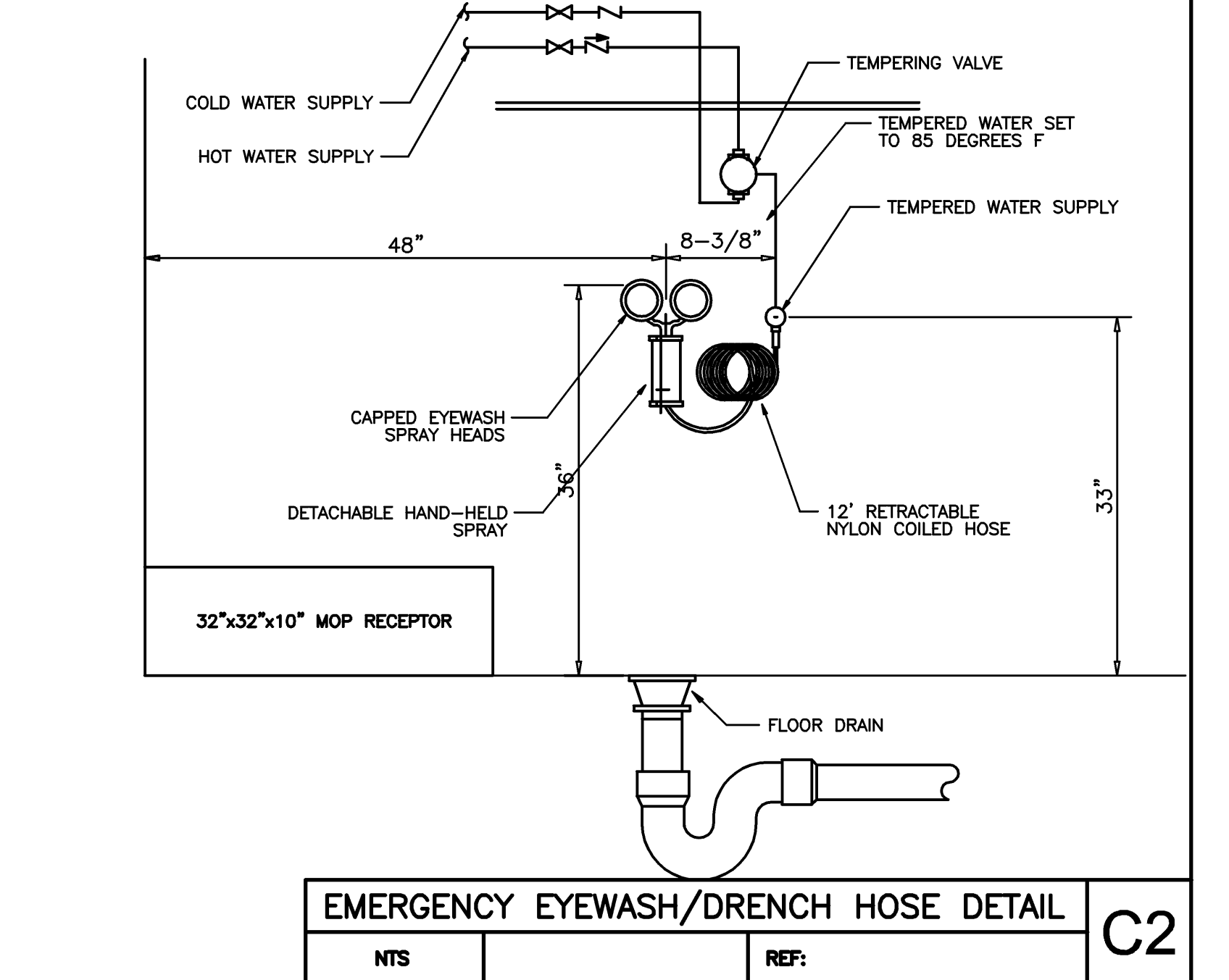


EXISTING SPRINKLER ENTRANCE MODIFICATION DETAIL
NTS REF: **C4**

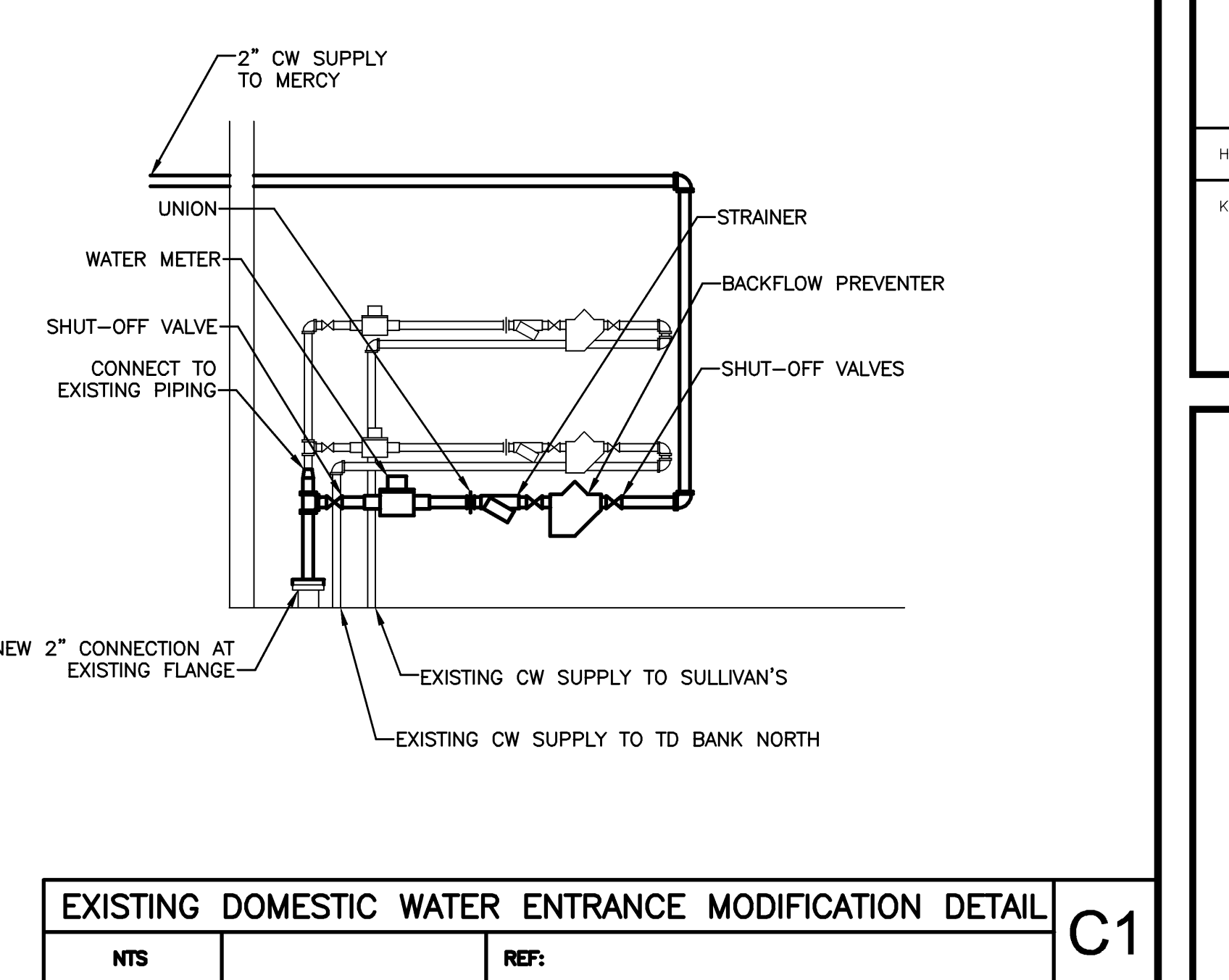
PLUMBING GENERAL NOTES

- COORDINATE WORK WITH THE WORK OF ALL OTHER TRADES.
- ALL STORM PIPING SHALL PITCH AT 1/8" PER FOOT EXCEPT AS NOTED. ABOVEGROUND STORM PIPING SHALL BE CAST IRON. UNDERGROUND STORM PIPING MAY BE CAST IRON OR PVC.
- ALL SANITARY PIPING SHALL PITCH AT 1/4" PER FOOT EXCEPT AS NOTED.
- ALL UNDERSLAB DRAINAGE AND VENT PIPING SHALL START AT MINIMUM INVERT ELEVATION 18" BELOW FINISHED FLOOR UNLESS NOTED OTHERWISE.
- ALL VENT AND WATER SUPPLY PIPING SHALL PITCH TO DRAIN.
- ALL PIPING SHALL BE CONCEALED EXCEPT IN UNFINISHED SPACES AND WHERE NO CEILINGS OCCUR.
- REFER TO PLUMBING FIXTURE INSTALLATION SCHEDULE FOR THE SIZE OF PIPING CONNECTIONS AND MOUNTING HEIGHTS OF EACH FIXTURE. MANUFACTURERS AND MODEL NUMBERS ARE SHOWN IN THE PLUMBING FIXTURE SCHEDULE. SEE PLUMBING SPECIFICATION DIVISION 22 FOR MORE DETAILED INFORMATION.
- ALL UNDERSLAB DRAINAGE PIPING SHALL BE 4" DIAMETER UNLESS OTHERWISE NOTED.

PLUMBING GENERAL NOTES
NTS REF: **C3**



EMERGENCY EYEWASH/DRENCH HOSE DETAIL
NTS REF: **C2**



EXISTING DOMESTIC WATER ENTRANCE MODIFICATION DETAIL
NTS REF: **C1**

SPRINKLER LEGEND

- SEMI-RECESSED PENDANT, WHITE
- SEMI-RECESSED PENDANT, CHROME
- CONCEALED PENDANT
- UPRIGHT
- ⊗ PENDANT BELOW, UPRIGHT ABOVE
- ▷ WET SIDEWALL
- ▷ DRY SIDEWALL
- F- FIRE DEPARTMENT CONNECTION PIPING
- SP- STANDPIPE MAIN
- AS- AUTOMATIC SPRINKLER SYSTEM PIPING

SPRINKLER LEGEND
NTS REF: **B4**

PLUMBING LEGEND

- S— SANITARY PIPING BELOW GROUND
- S— SANITARY PIPING ABOVE GROUND
- V--- VENT PIPING ABOVE GROUND
- CW— COLD WATER PIPING
- HW— HOT WATER PIPING WITH HEAT TRACING
- G— GAS PIPING
- S— SHUT-OFF VALVE
- C— CHECK VALVE
- P— BACKFLOW PREVENTER WITH ISOLATION VALVES
- FD—# FLOOR DRAIN
- FCO FLOOR CLEANOUT
- W/TP WITH TRAP PRIMER
- CO CLEANOUT
- WC—# WATER CLOSET
- U—# URINAL
- L—# LAVATORY
- SK—# STAINLESS STEEL COUNTER SINK
- MR—# MOP RECEPTOR
- DF—# DRINKING FOUNTAIN
- HB HOSE BIB CONNECTION
- V VENT PIPING
- VTR VENT THROUGH ROOF

PLUMBING LEGEND
NTS REF: **A3**

SPRINKLER GENERAL NOTES

- DESIGN DENSITIES: LOBBY, OFFICES, COMMON AREAS - NFPA #13, LIGHT HAZARD, 0.10 OVER 1,500 SQ. FT. REMOTE AREA AND 100 GPM HOSE STREAM. MECHANICAL ROOM - NFPA #13, ORDINARY HAZARD, GROUP 2, 0.10 OVER 1,200 SQ. FT. REMOTE AREA AND 250 GPM HOSE STREAM.
- OFF-PREMISE SUPERVISION OF FIRE SPRINKLER SYSTEM AND PROVISION OF LOCAL WATER FLOW ALARM DEVICE PROVIDED BY FIRE ALARM CONTRACTOR.
- ALL HORIZONTAL PIPING MAINS SHALL BE INSTALLED 6" BELOW BOTTOM OF LOWEST BEAM RUNNING PERPENDICULAR TO THE PIPING, UNO.
- WET SYSTEM: 2" AND LARGER - MAIN PIPING - SCHEDULE 40 BLACK STEEL WITH GROOVED ENDS AND FLUSH SEAL GASKETED MECHANICAL COUPLINGS. 1 1/2" AND SMALLER - MAINS, BRANCH LINE PIPING, DROPS AND SPRINGS - SCHEDULE 40 BLACK STEEL, THREADED WITH STANDARD WEIGHT IRON SCREW PATTERN FITTINGS.
- EXISTING SYSTEM SHALL BE INSPECTED FOR SIZE AND CONDITION OF PIPING PRIOR TO DESIGN LAYOUT OF NEW SYSTEM. EXISTING PIPING MAY BE REUSED, PROVIDED PIPE SIZES MEET REQUIREMENTS OF HYDRAULIC CALCULATIONS AND ARE FREE OF CORROSION OR SCALING INSIDE THE PIPING.
- PROVIDE EXTRA SPRINKLERS PER NFPA 13 FOR PROTECTION BELOW DUCTS, CONDUIT OR SIMILAR DEFUSED OBSTRUCTIONS (OVER 48" WIDE). PROVIDE EXTRA SPRINKLERS AS REQUIRED BY NFPA 13 WHERE SPRINKLER OBSTRUCTION IS OBSTRUCTED. WHERE DROPS TO PIPING BELOW OBSTRUCTIONS ARE REQUIRED, DROPS SHALL BE RUN TIGHT TO OBSTRUCTION TO MINIMIZE VISUAL IMPACT.
- SEISMIC BRACING: BRACING PROVIDED FOR ALL PIPING AS REQUIRED BY NFPA #13 USING SCHEDULE 40 PIPE.
- THE FIRE SPRINKLER CONTRACTOR SHALL THOROUGHLY REVIEW ALL CONTRACT DRAWINGS AND SPECIFICATIONS THAT IMPACT THE FIRE SPRINKLER SYSTEM PRIOR TO BID. ANY QUESTIONS THAT AFFECT THE DESIGN AND INSTALLATION OF THE FIRE SPRINKLER SYSTEM SHALL BE RESOLVED BEFORE THE CONTRACT IS AWARDED.
- CONTRACTOR SHALL PREPARE AND SUBMIT SHOP DRAWINGS AS REQUIRED BY THE SPECIFICATIONS.

SPRINKLER GENERAL NOTES
NTS REF: **A4**

PLUMBING FIXTURE INSTALLATION SCHEDULE									
LABEL	FIXTURE DESCRIPTION	BRANCH SIZE				REMARKS	MOUNTING HEIGHT TO RIM	MANUFACTURER	MODEL NUMBER
		VENT	WASTE	CW	HW				
WC-1	WATER CLOSET	2"	4"	1"	----	FLOOR MOUNTED ADA COMPLIANT WITH SCS34 SEAT AND TULSAFLUSH FLUSH VALVE	17 1/2"	TOTO	CT 705EL
U-1	URINAL	1 1/2"	2"	3/4"	----	WALL MOUNTED ADA COMPLIANT	17" MAXIMUM	TOTO	UT104E
L-1	LAVATORY	1 1/2"	2"	1/2"	1/2"	ADA COMPLIANT, WITH SHROUD 0059.020 TOTO TEL50C-10 FAUCET SET TO 110 DEGREES F	34" MAXIMUM	AMERICAN STANDARD	MURRO 0954.000
SK-1	COUNTER SINK	1 1/2"	2"	1/2"	1/2"	ADA COMPLIANT, WITH SHROUD 0059.020 CHICAGO FAUCET 201-AGHBA2-317X0CP	34" MAXIMUM	AMERICAN STANDARD	MURRO 0954.000
SK-2	COUNTER SINK	1 1/2"	2"	1/2"	1/2"	COUNTER MOUNTED, OFF CENTER REAR BRAN ADA COMPLIANT, 1/2" STAINLESS STEEL CHICAGO FAUCET 201-AGHBA2-317X0CP	34" MAXIMUM	ELKAY	LRAD2022-3
SK-3	COUNTER SINK	1 1/2"	2"	1/2"	1/2"	COUNTER MOUNTED, OFF CENTER REAR BRAN ADA COMPLIANT, 1/2" STAINLESS STEEL CHICAGO FAUCET 201-AGHBA2-317X0CP	34" MAXIMUM	ELKAY	LRAD01720-3
SK-4	COUNTER SINK	1 1/2"	2"	1/2"	1/2"	COUNTER MOUNTED, OFF CENTER REAR BRAN ADA COMPLIANT, 1/2" STAINLESS STEEL CHICAGO FAUCET 201-AGHBA2-317X0CP	34" MAXIMUM	ELKAY	LRAD2022-4
SH-1	SHOWER	1 1/2"	2"	1/2"	1/2"	ADA COMPLIANT ONE PIECE ACRYLIC SHOWER WITH HAND HELD HEAD ON A SLIDE BAR CHICAGO FAUCET 445-ROB2X0CP	FLOOR MOUNTED	AQUA BATH	CB5368F-FUS 3/4"
MR-1	MOP RECEPTOR	1 1/2"	2"	1/2"	1/2"	W/TP FLAT STRAINER, WEDGE-LOCK SEAL CHICAGO FAUCET 445-ROB2X0CP	----	FLORESTONE	80
DF-1	DRINKING FOUNTAIN	1 1/2"	2"	1/2"	----	WALL MOUNTED ADA COMPLIANT SPOUT SHALL BE NO HIGHER THAN 36" AFF	33"	HALEY TAYLOR	OVL-8 ESBP
FD-1	FLOOR DRAIN	1 1/2"	3"	1/2"	----	JANITORS' CLOSETS, MECHANICAL SPACES PROVIDE TRAP PRIMERS	----	ZURN	Z520-06-P-TS-Y
FD-2	FLOOR DRAIN	1 1/2"	2"	1/2"	----	7" ROUND RESTROOMS PROVIDE TRAP PRIMERS	----	ZURN	Z415-P-WP-Y
FS-1	FLOOR SINK	1 1/2"	3"	1/2"	----	POOL EQUIPMENT ROOM AND HOT/COLD PACK PREP POSITION HINGED SEAT AGAINST PLUMBING WALL	----	ZURN	ZN-HP-P-19-34
WH-1	WATER HEATER	----	----	1/2"	----	120 MBH GAS WATER HEATER SET TO 130 DEGREES F	----	AO SMITH	8TH-120
EXP-1	EXPANSION TANK	----	----	1/2"	----	FLOOR MOUNTED	----	AMTROL	ST-30V-C
MW-1	MASTER MIXING VALVE	----	----	1 1/4"	1 1/4"	EXPOSED SET TO 120 DEGREES F	----	POWERS	SH1434-13
MW-2	EW MIXING VALVE	----	----	1/2"	1/2"	EXPOSED SET TO 85 DEGREES F	----	POWERS	E150AED00
MW-3	WHIRLPOOL FAUCET	----	----	3/4"	3/4"	EXPOSED ADJUSTABLE TEMPERATURE CONTROL	----	POWERS	E4270EM330
HT-1	ELECTRIC HEAT TRACE	----	----	----	----	HMAT WITH ECO CONTROLLER SET TO 120 DEGREES F	----	RAYCHEM	HMAT-200V
EDW-1	EYE WASH/DRENCH HOSE	----	----	1/2"	1/2"	DECK MOUNTED WITH VACUUM BREAKER PROVIDE CHECK VALVES IN SUPPLIES	----	GUARDIAN	G5046VB
EDW-2	EYE WASH	----	----	1/2"	1/2"	COUNTER MOUNTED ON RIGHT SIDE OF SK-4 PROVIDE CHECK VALVES IN SUPPLIES	----	GUARDIAN	G1805
HB-1	HOSE BIB	----	----	1/2"	1/2"	EXPOSED WALL MOUNTED WITH VACUUM BREAKER	----	CHICAGO	852-CF

PLUMBING FIXTURE SCHEDULE
NTS REF: **A1**

HARRIMAN
Architects + Engineers
One Auburn Business Park
Auburn, Maine 04219
207.784.5100 tel
207.782.3017 fax
66 Pearl St., Suite 301
Portland, Maine 04101
207.775.0053 tel
207.775.0460 fax
www.harriman.com
© 2007

Project Title
MERCY HEALTH CENTER WESTGATE PLAZA
PORTLAND, MAINE
HA Project No. **07182**
Key Plan

07/01/08	ISSUED FOR PERMIT	
06/26/08	100% REVIEW SET	
06/17/08	50% REVIEW SET	
Mark	Date	Description
Issue Dates		

Drawing Status

Drawing Title
SCHEDULES AND DETAILS
PA / PE: **CG** Drawn By: **SGH**
Drawing Number
P00.1