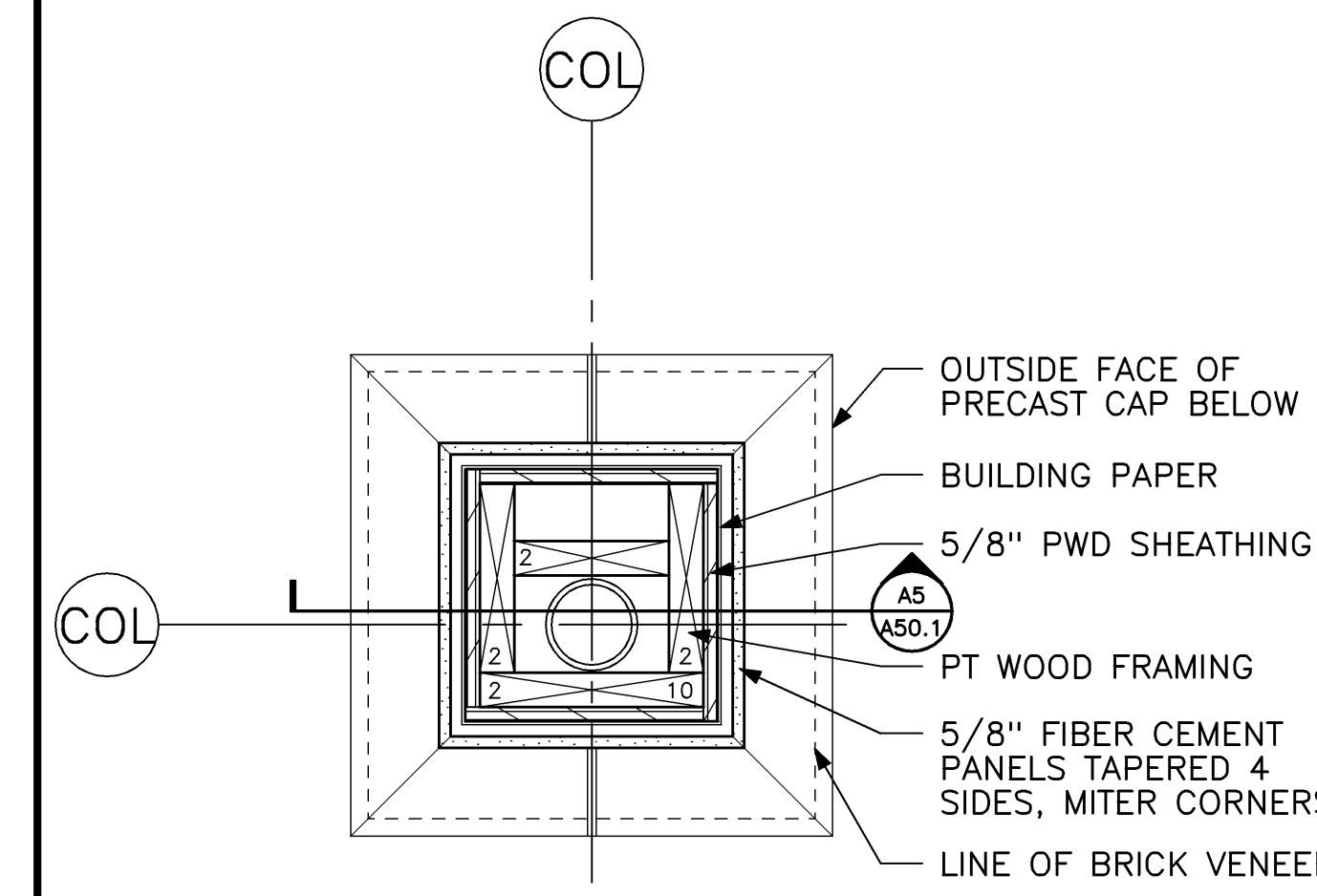
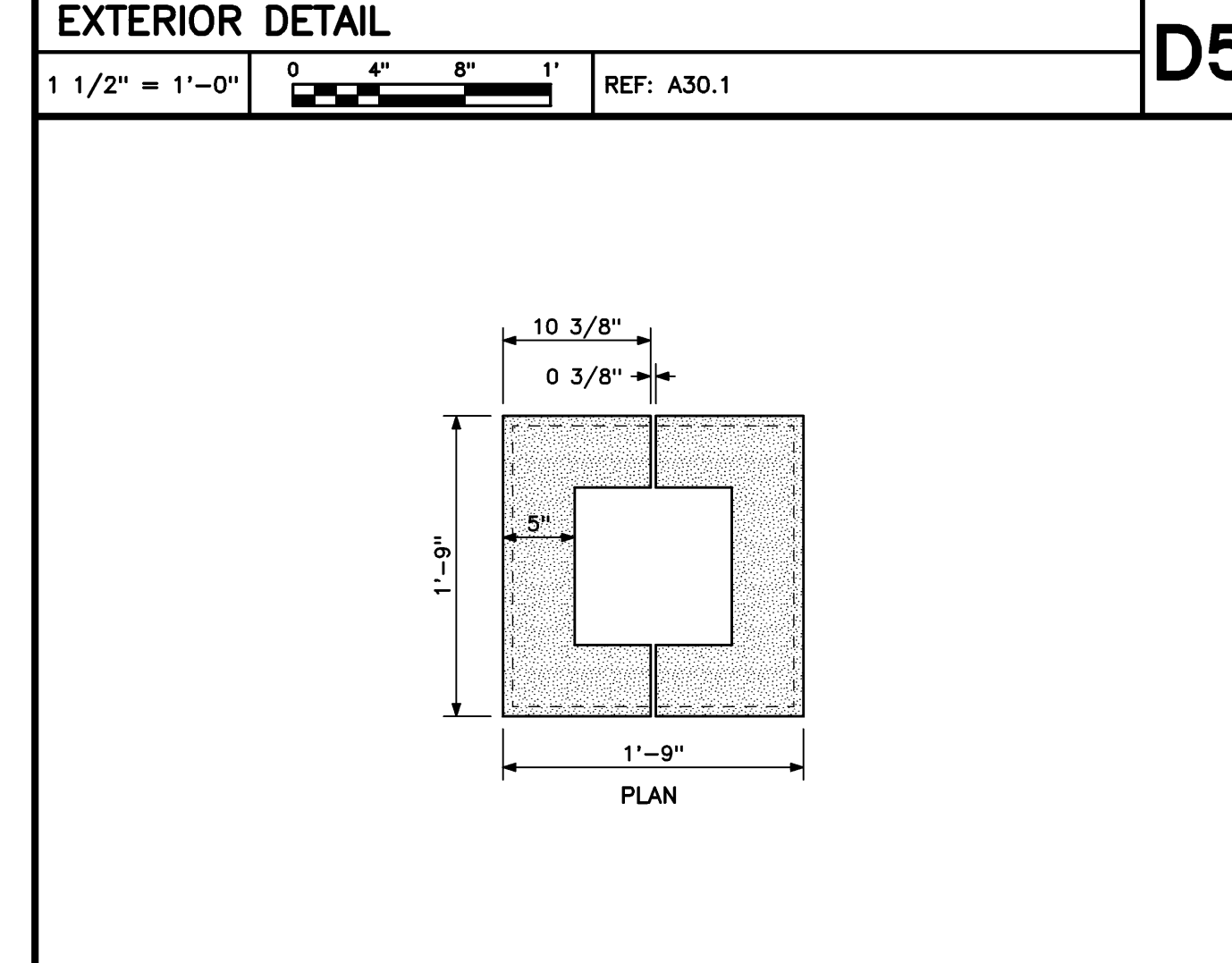




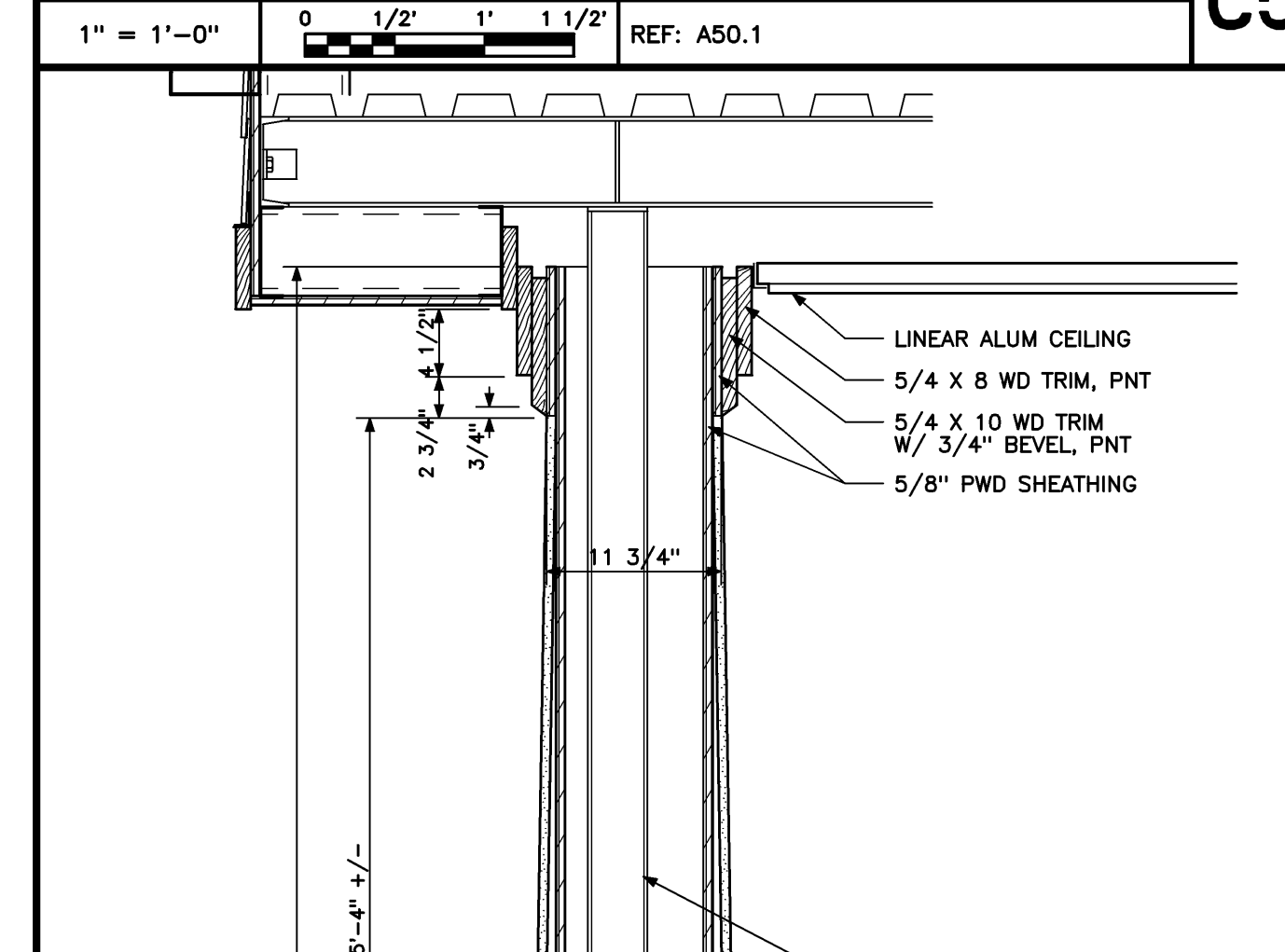
**E1** EXTERIOR DETAIL REF: E2/A20.1



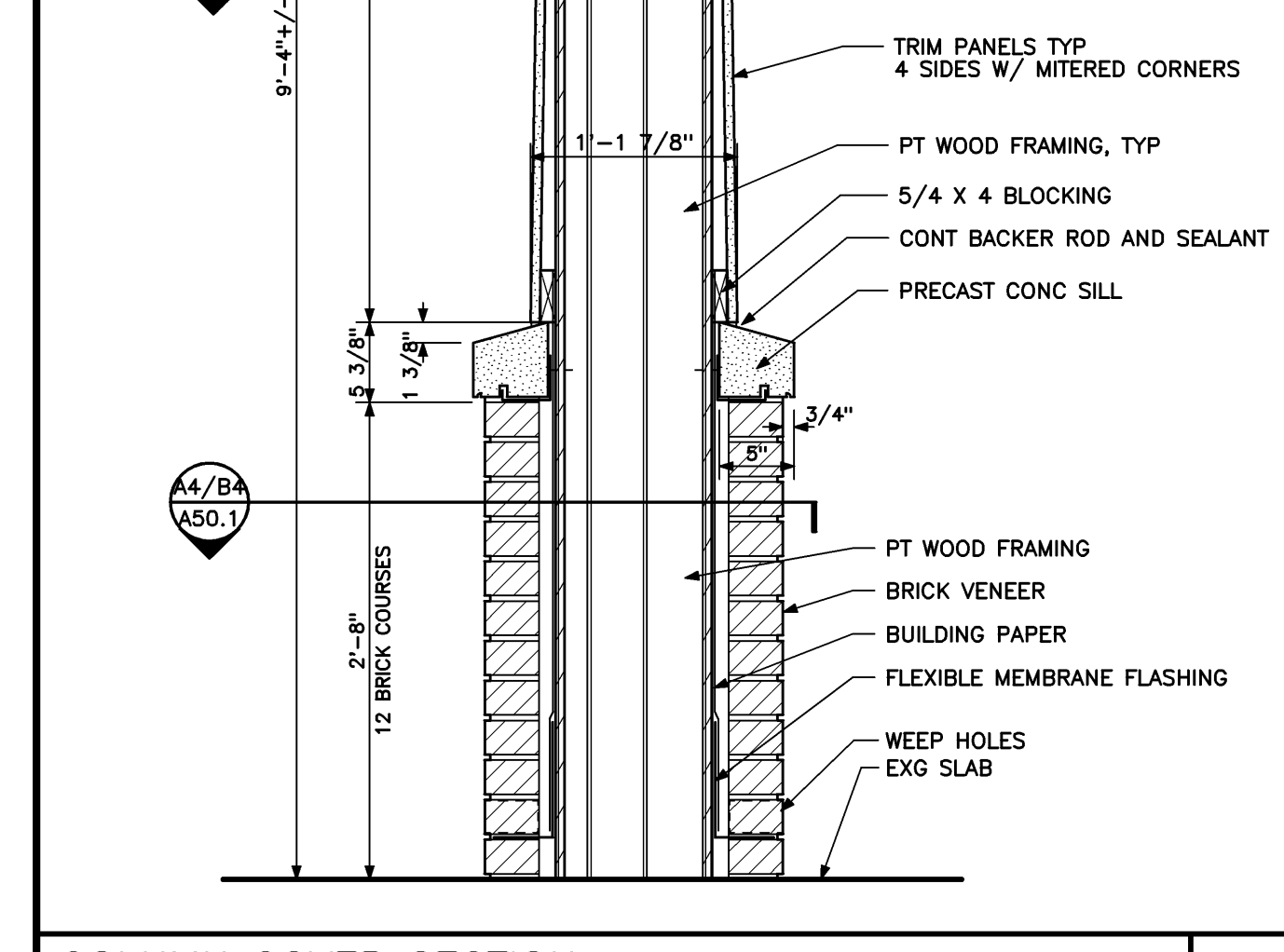
**E2** EXTERIOR DETAIL REF: A30.1



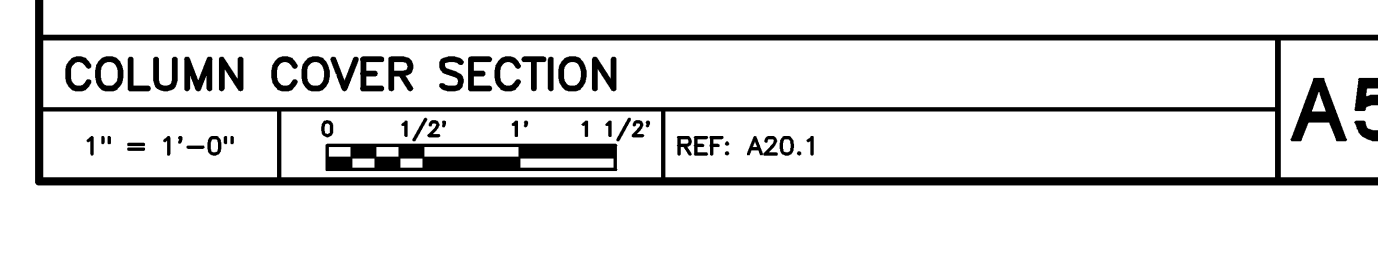
**E3** EXTERIOR DETAIL REF: A30.1



**D5** EXTERIOR DETAIL REF: A30.1



**D4** EXTERIOR DETAIL REF: A20.1



**D3** EXTERIOR DETAIL REF: A30.1



**D2** EXTERIOR DETAIL REF: A30.1



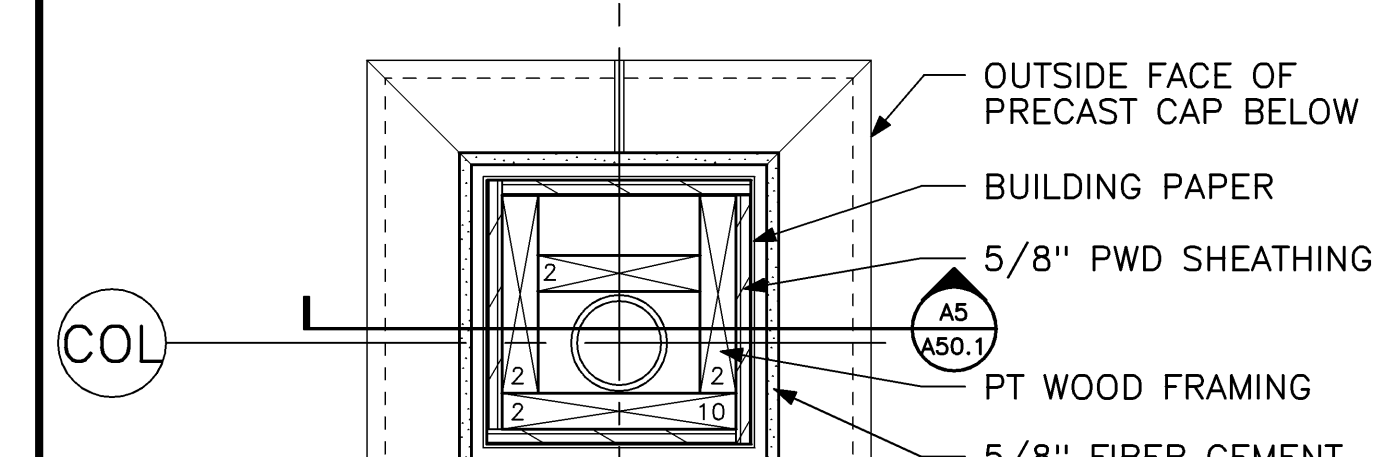
**D1** EXTERIOR DETAIL REF: A30.1



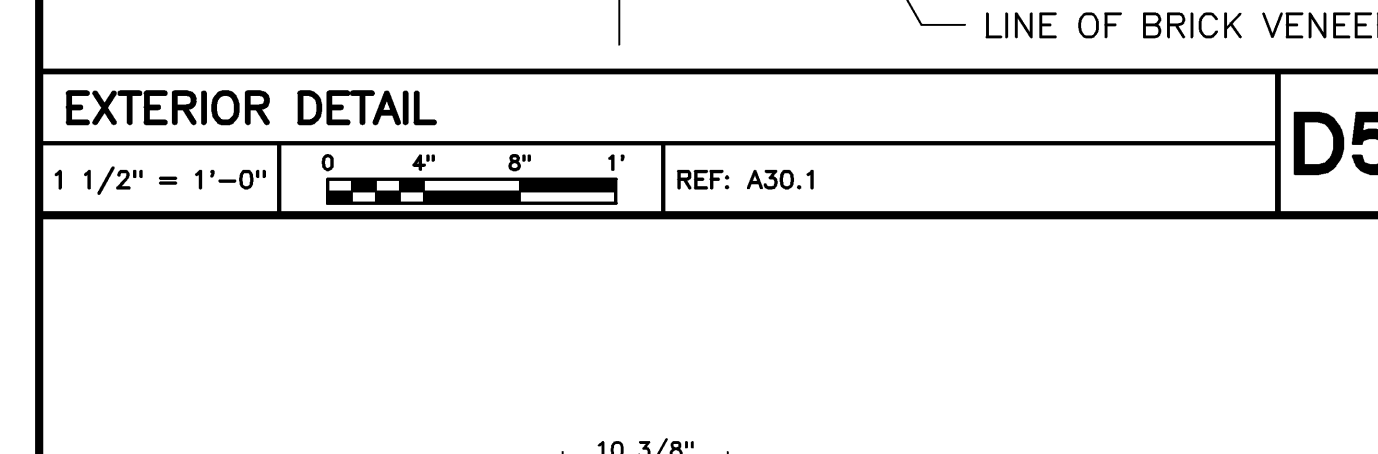
**C5** PRE-CAST CAP REF: A50.1



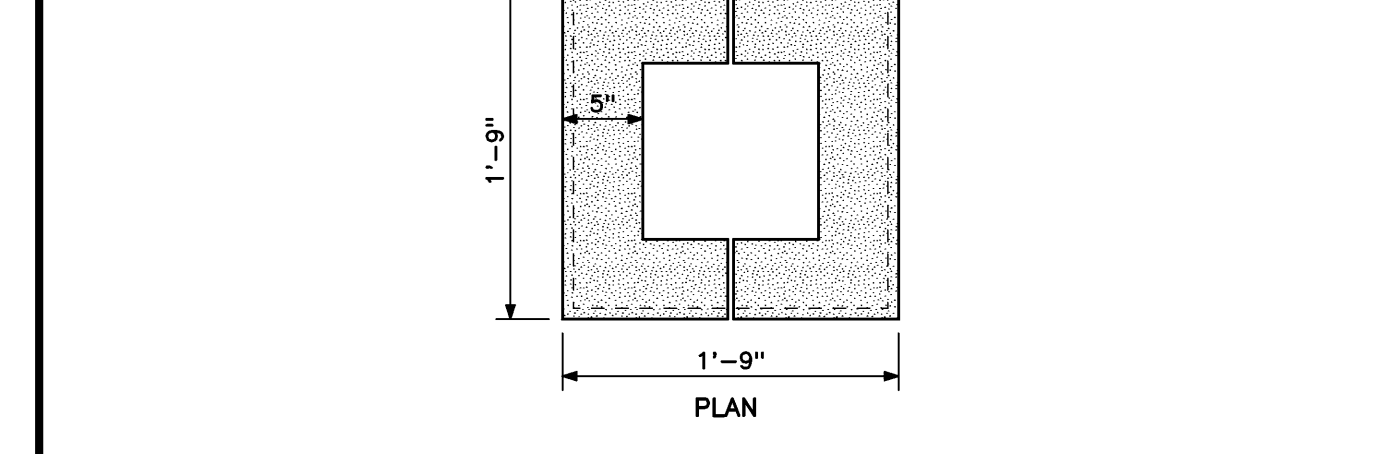
**C4** NEW BRICK COLUMN REF: A20.1



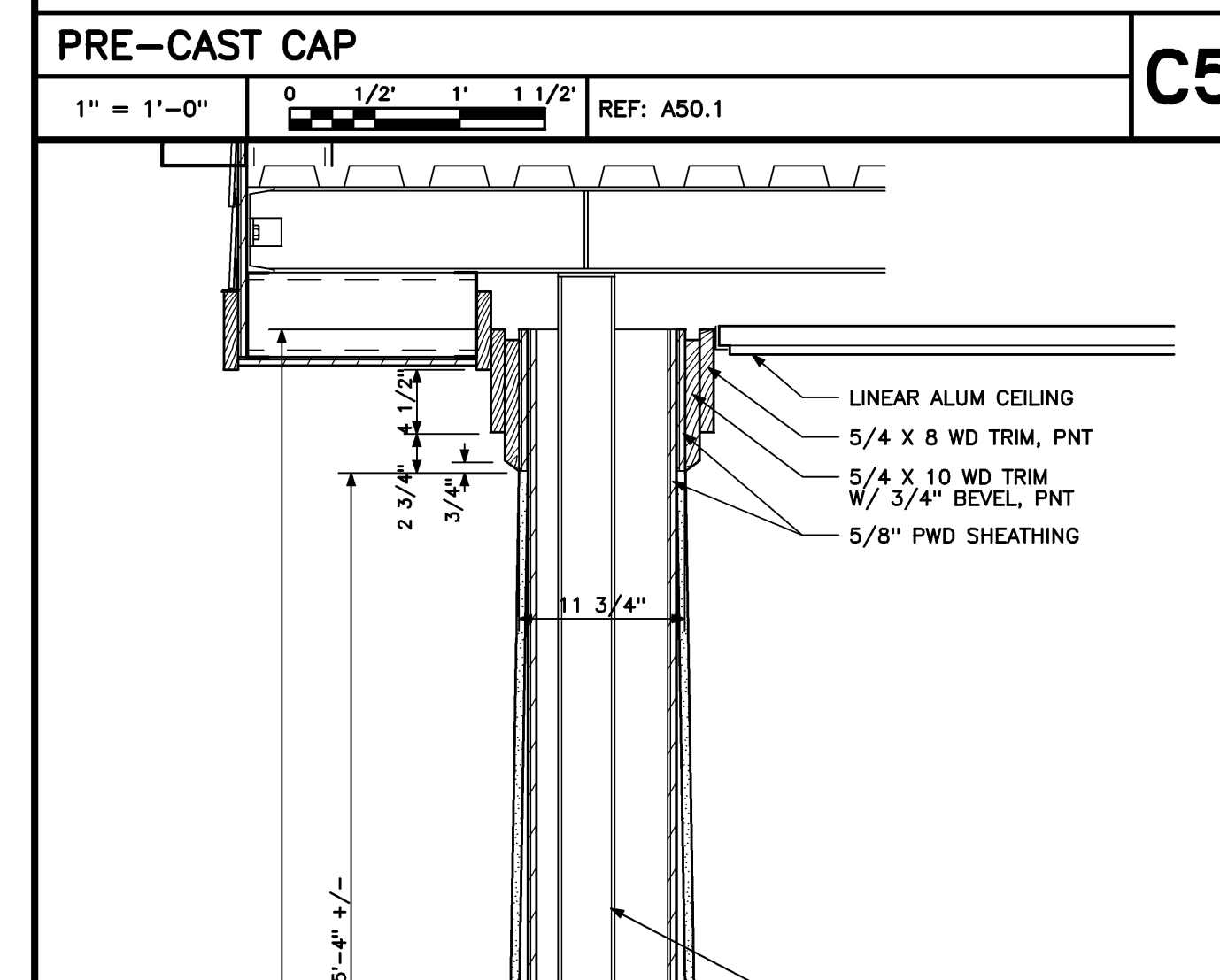
**C3** EXTERIOR DETAIL REF: A30.1



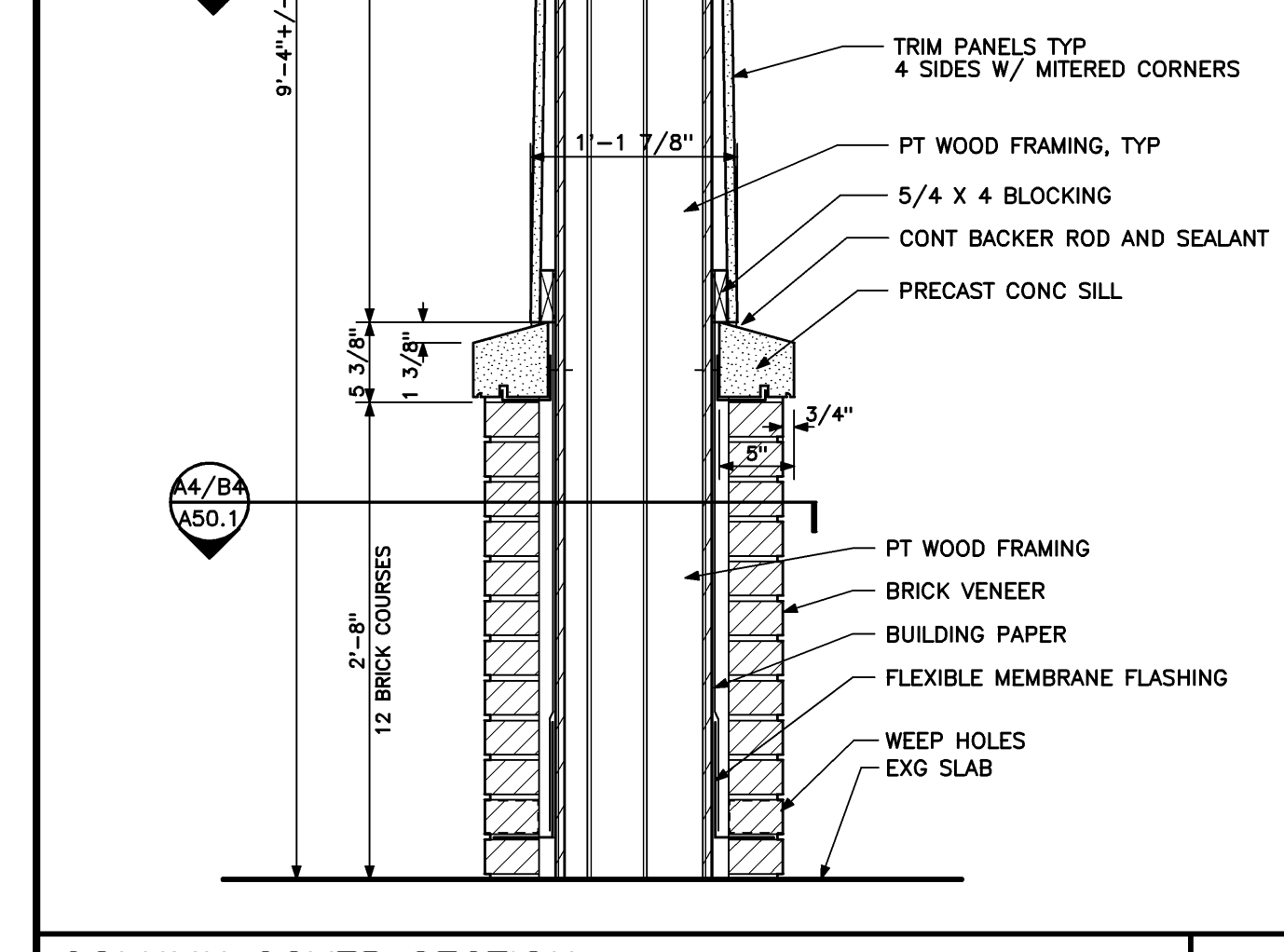
**C2** EXTERIOR DETAIL REF: A30.1



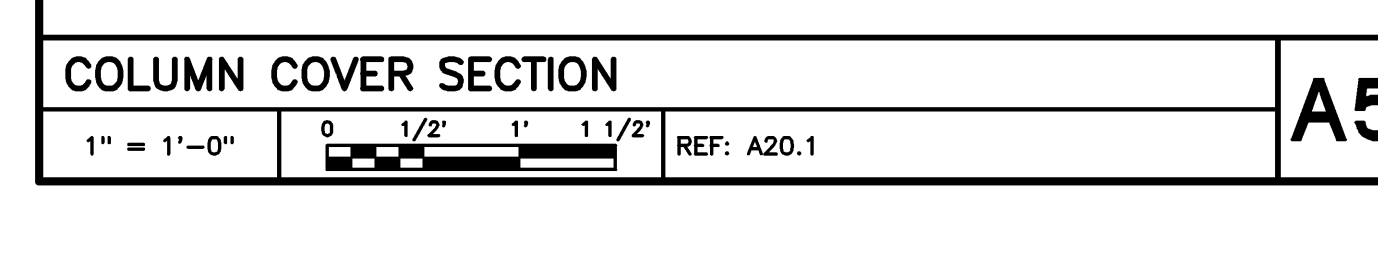
**C1** EXTERIOR DETAIL REF: A30.1



**B4** COLUMN COVER BASE W/ ROOF DRAIN REF: A20.1



**A4** NEW COLUMN SECTION REF: A1/A20.1



**A2** EXTERIOR DETAIL AT RAKE REF: A30.1



**B2** EXTERIOR DETAIL AT ROOF EDGE REF: A30.1



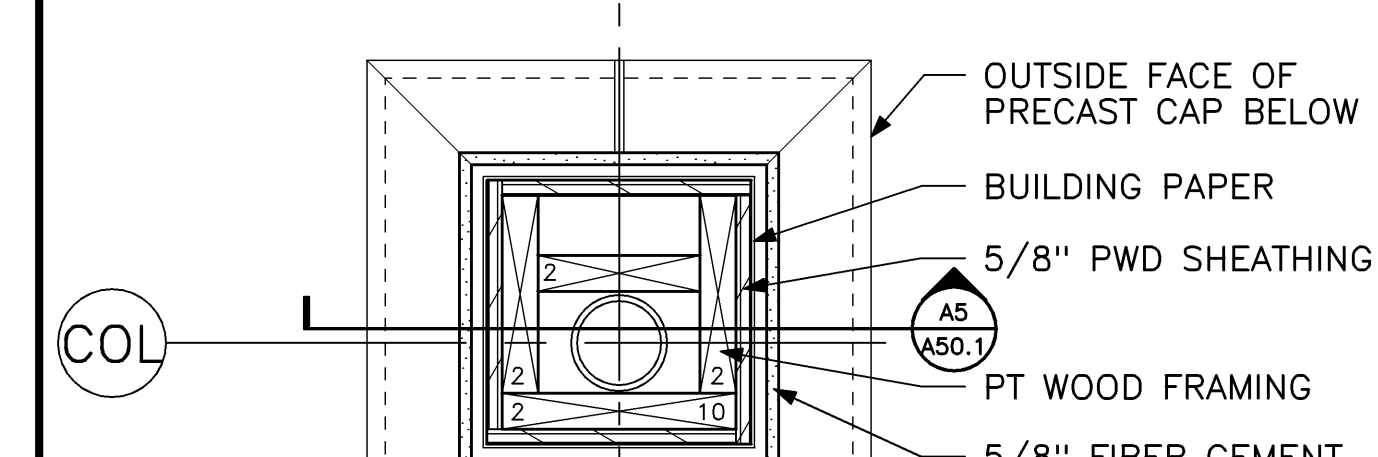
**A2** EXTERIOR DETAIL REF: A20.1



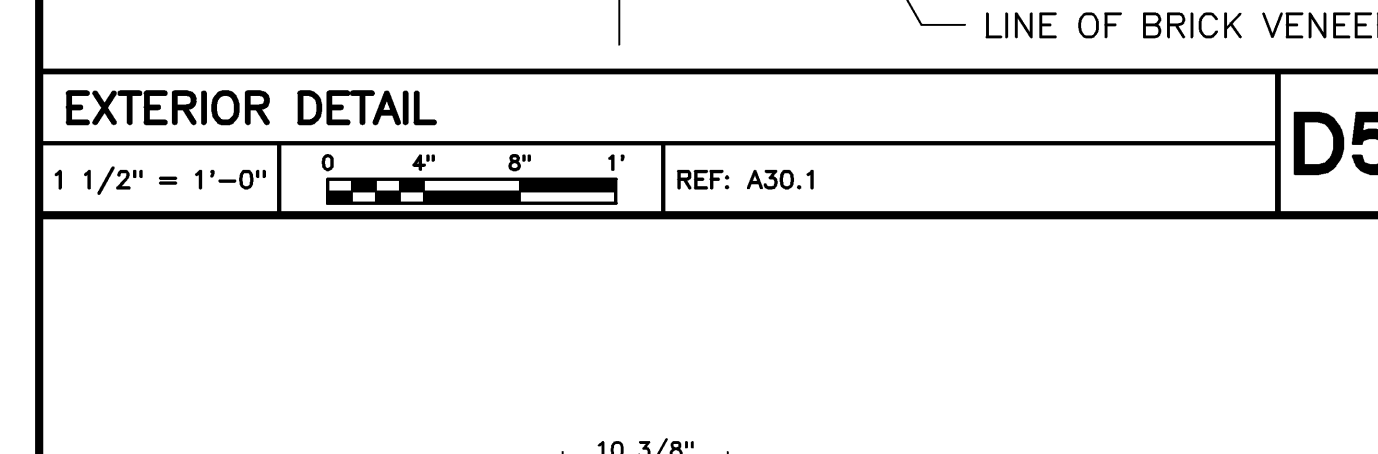
**A5** COLUMN COVER SECTION REF: A20.1



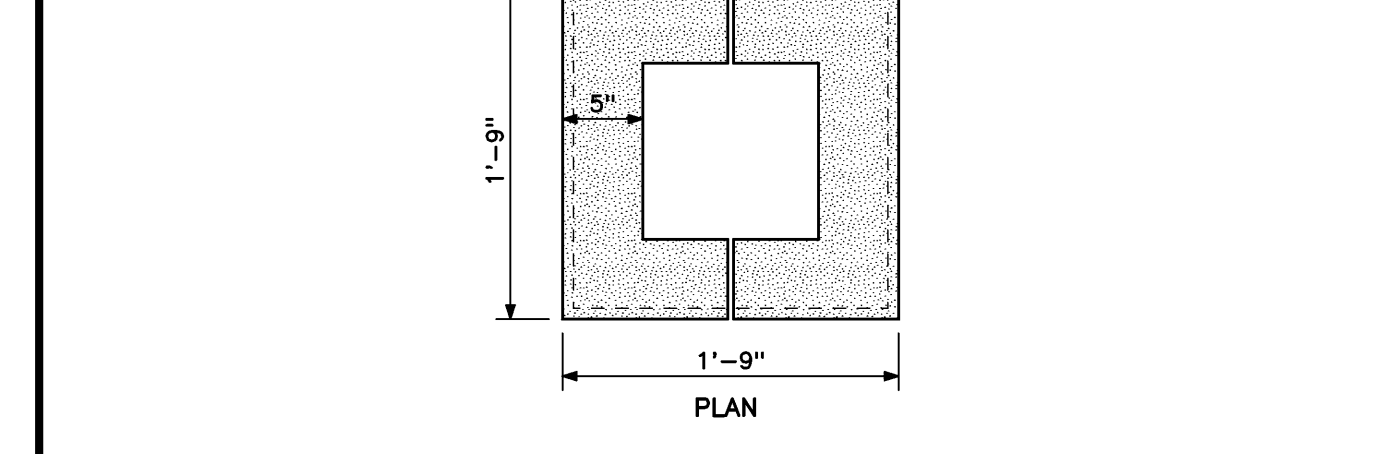
**A4** COLUMN COVER BASE REF: A20.1



**A3** NEW COLUMN SECTION REF: A1/A20.1



**A2** EXTERIOR DETAIL AT RAKE REF: A30.1



**A1** EXTERIOR DETAIL REF: A20.1

03-10-08	ISSUED FOR BID	
02-26-08	95% REVIEW	
Mark	Date	Description