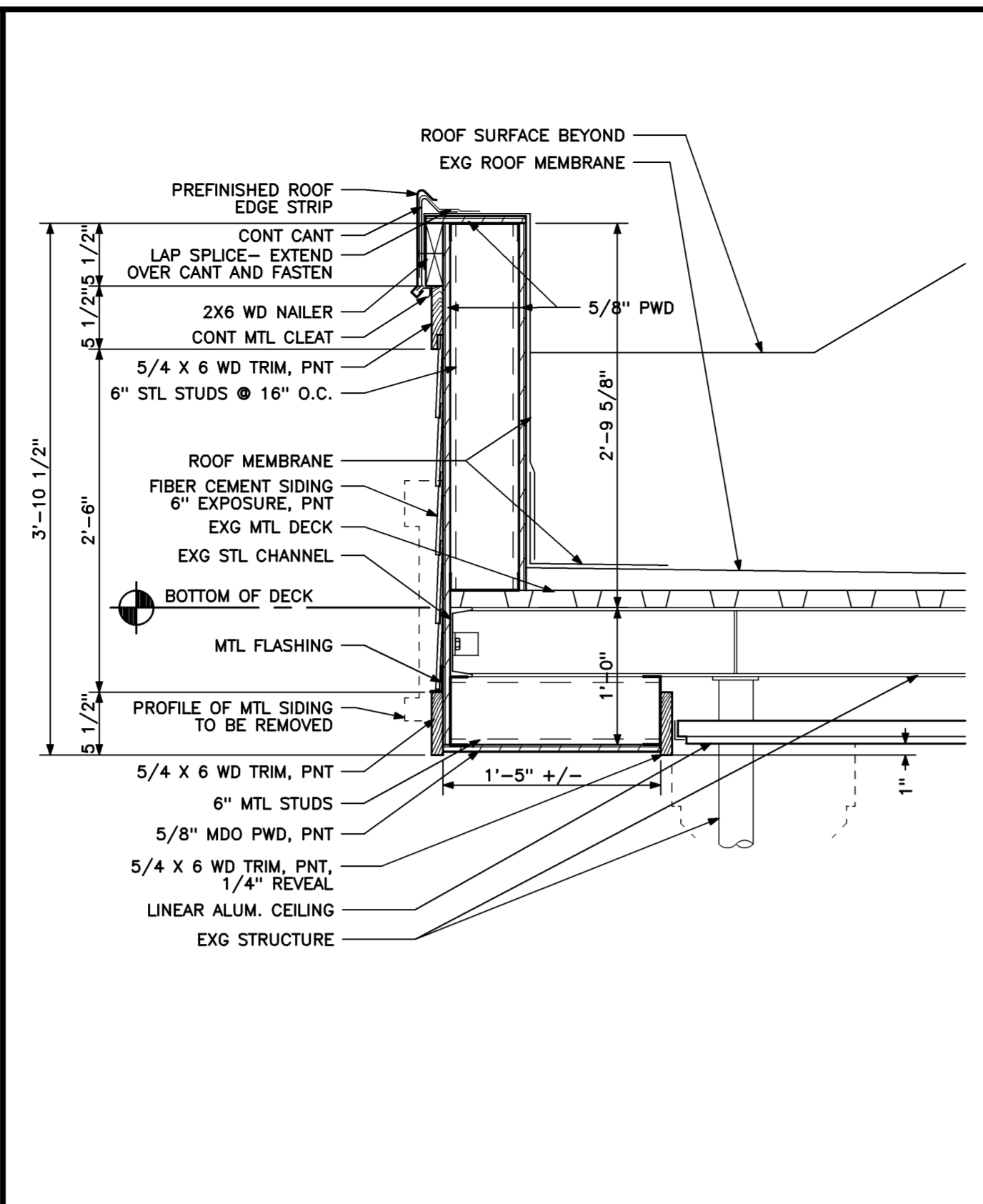
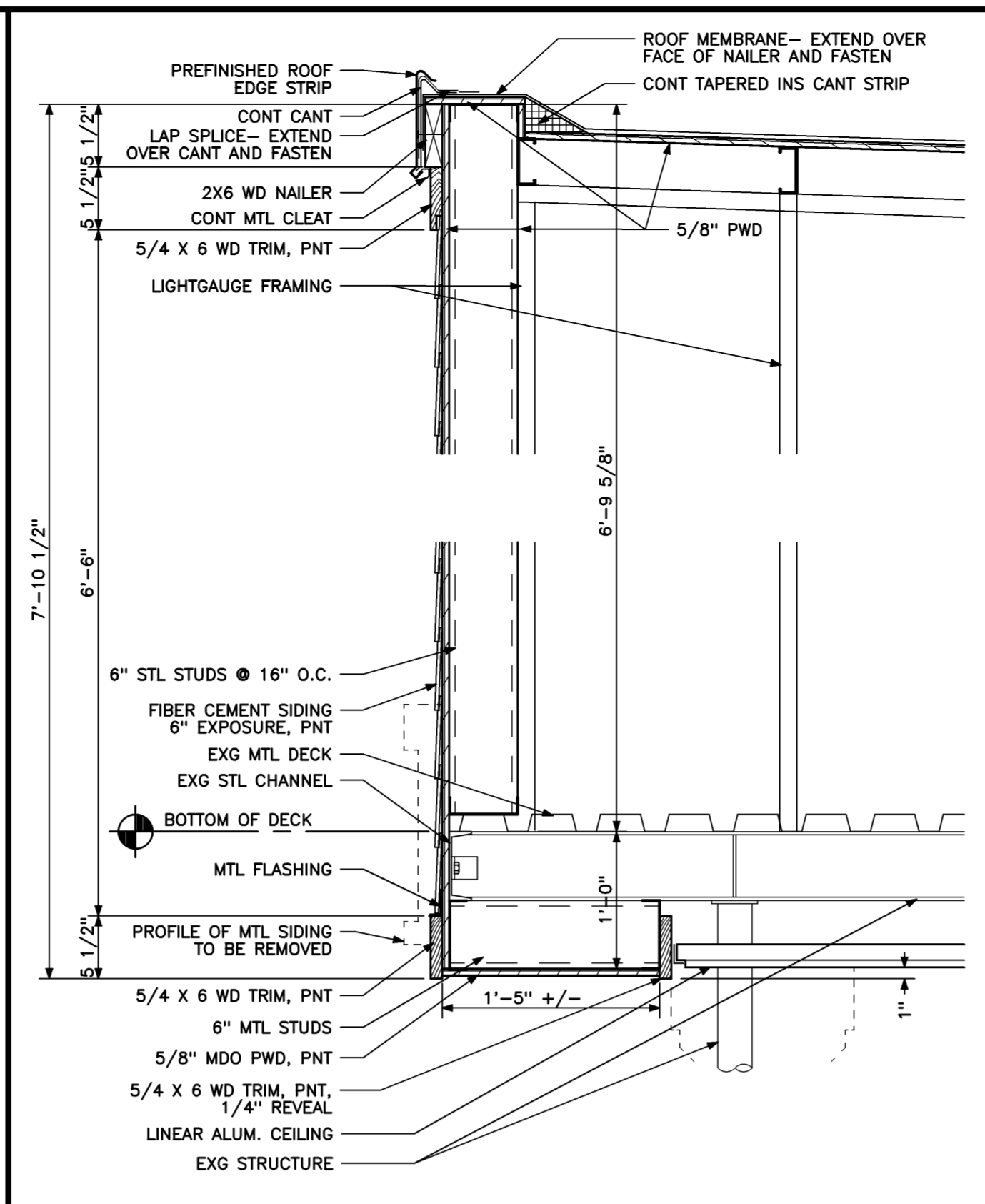


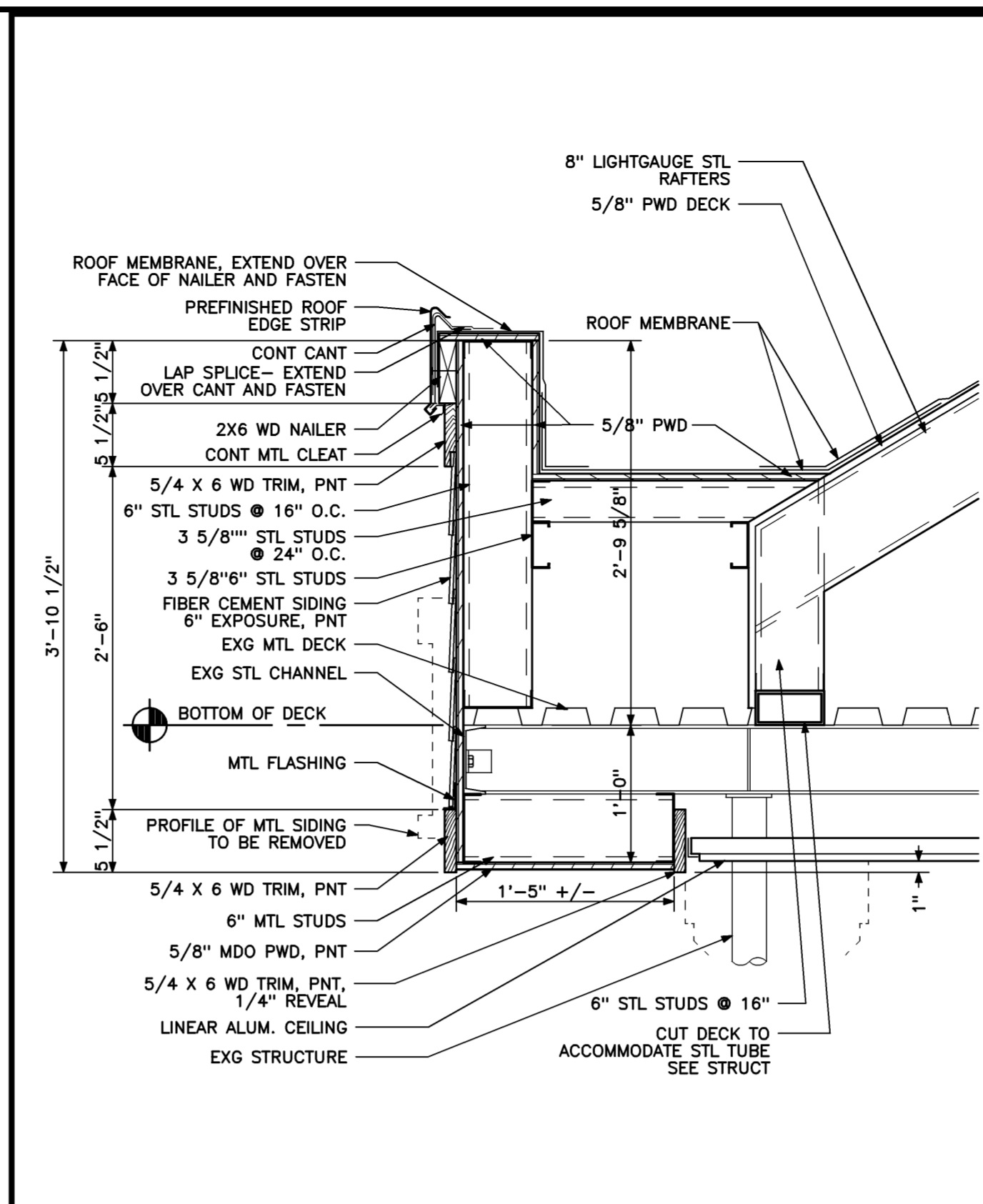
CANOPY DETAIL
1" = 1'-0" REF: A30.1



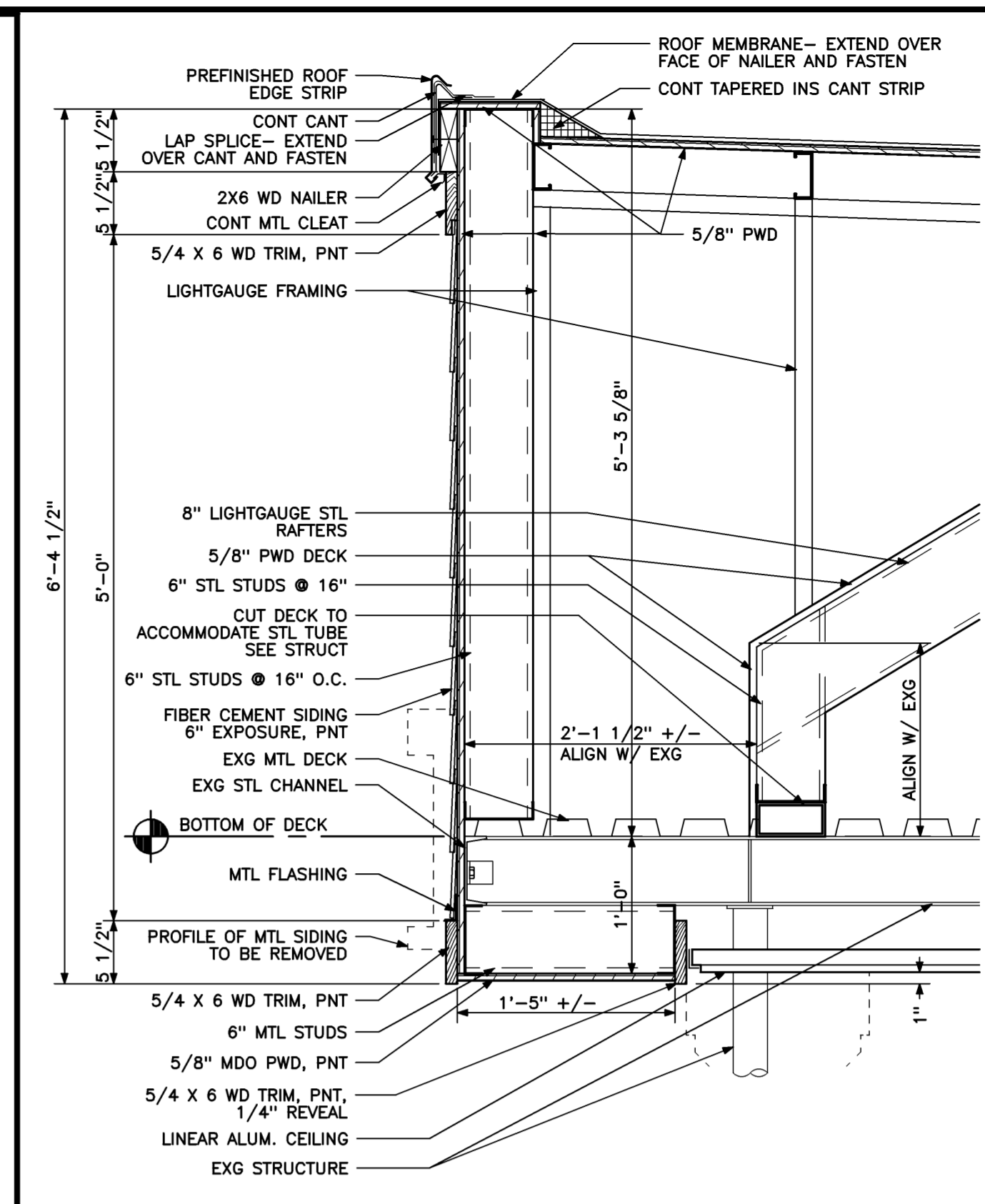
CANOPY DETAIL
1" = 1'-0" REF: A30.1



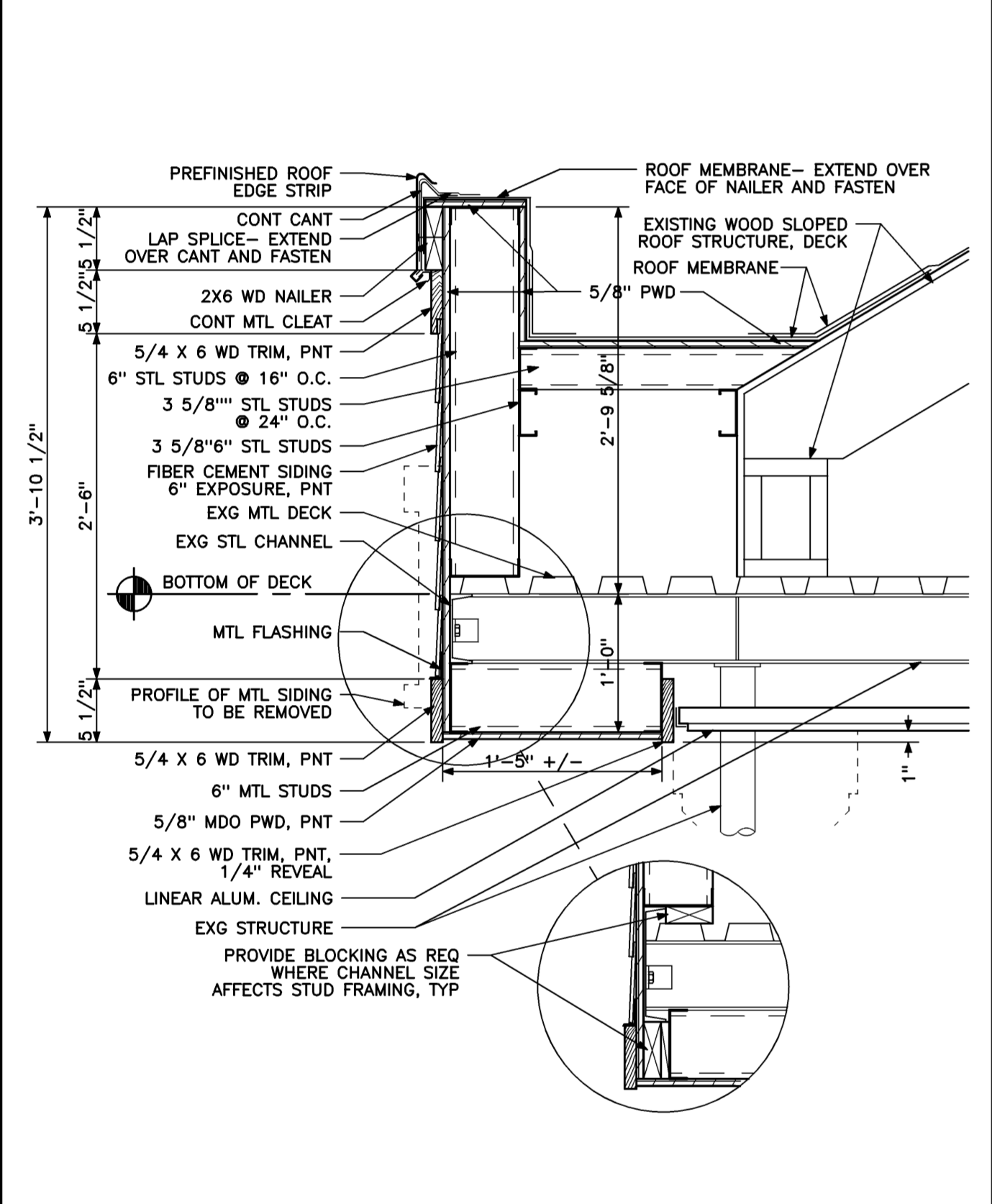
CANOPY DETAIL
1" = 1'-0" REF: A30.1



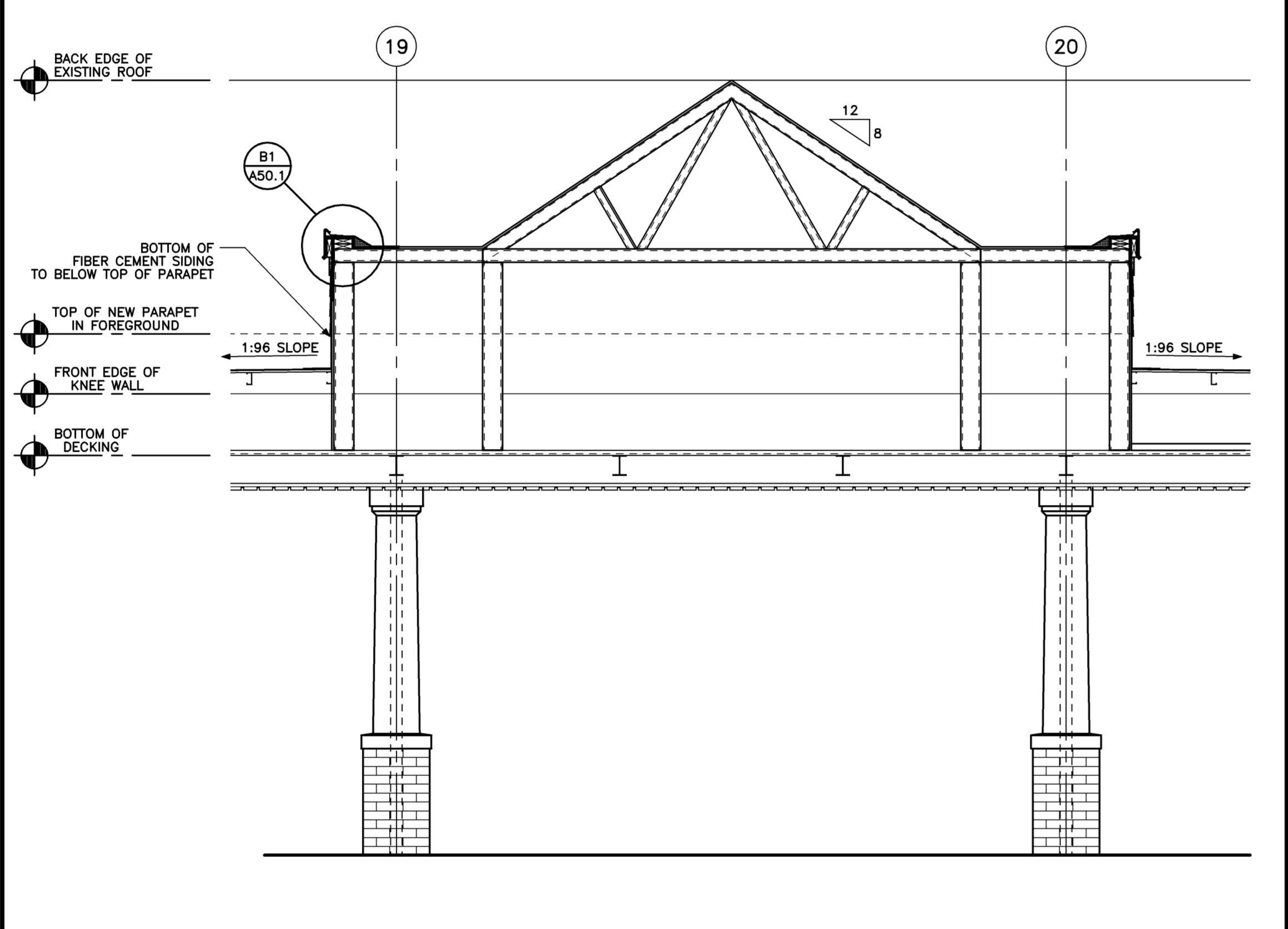
CANOPY DETAIL
1" = 1'-0" REF: A30.1



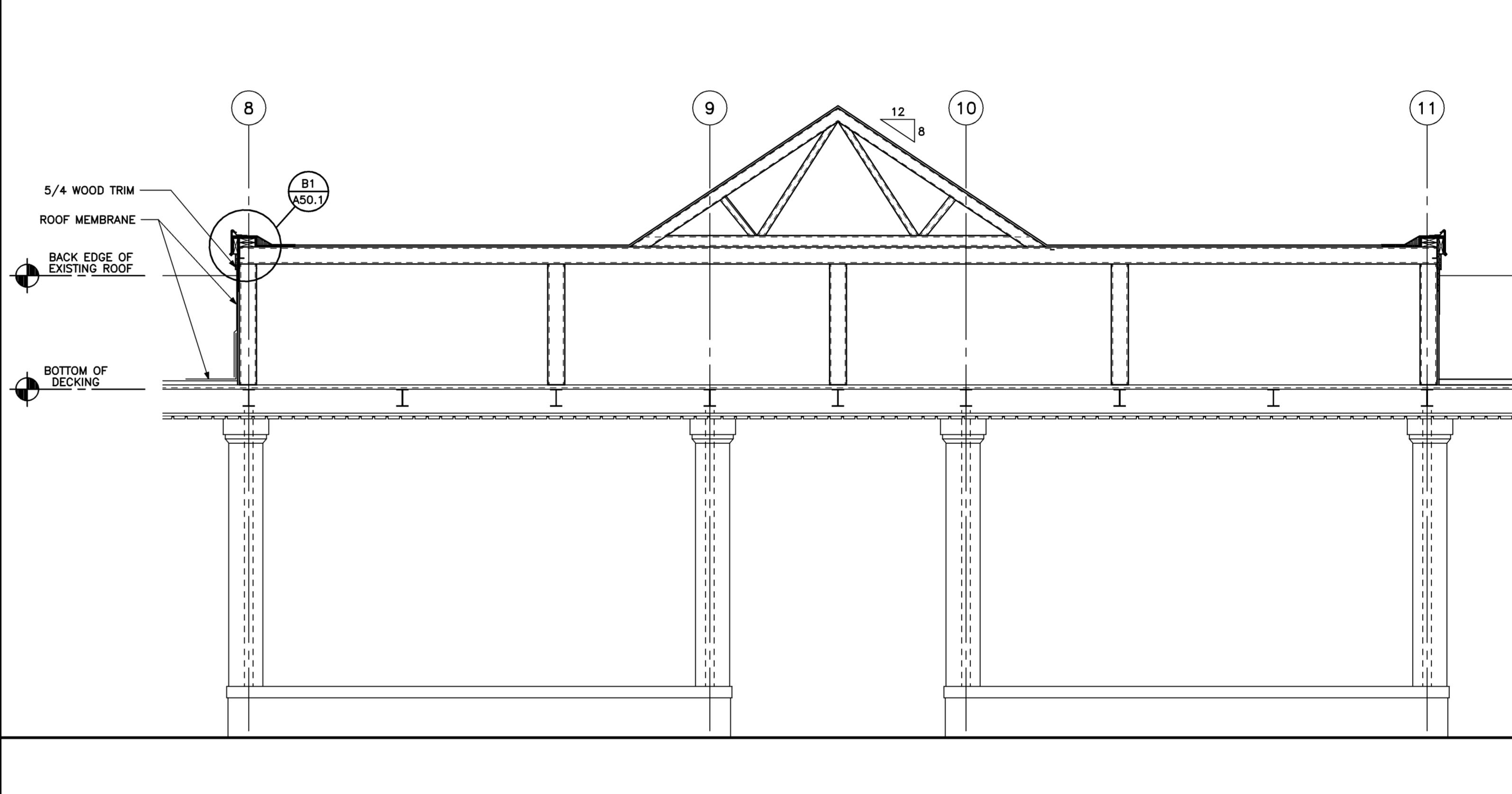
CANOPY DETAIL
1" = 1'-0" REF: A30.1



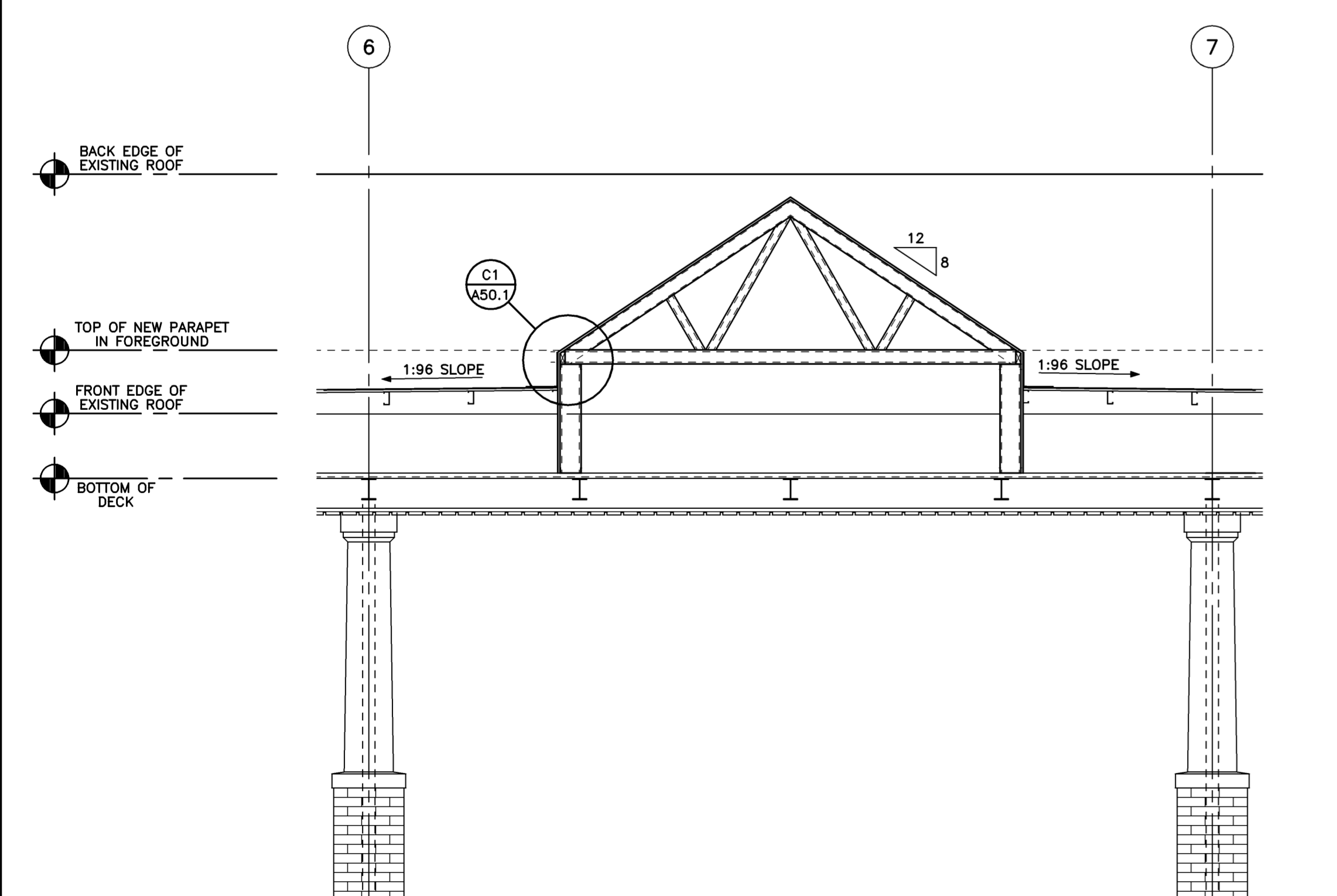
CANOPY DETAIL
1" = 1'-0" REF: A30.1



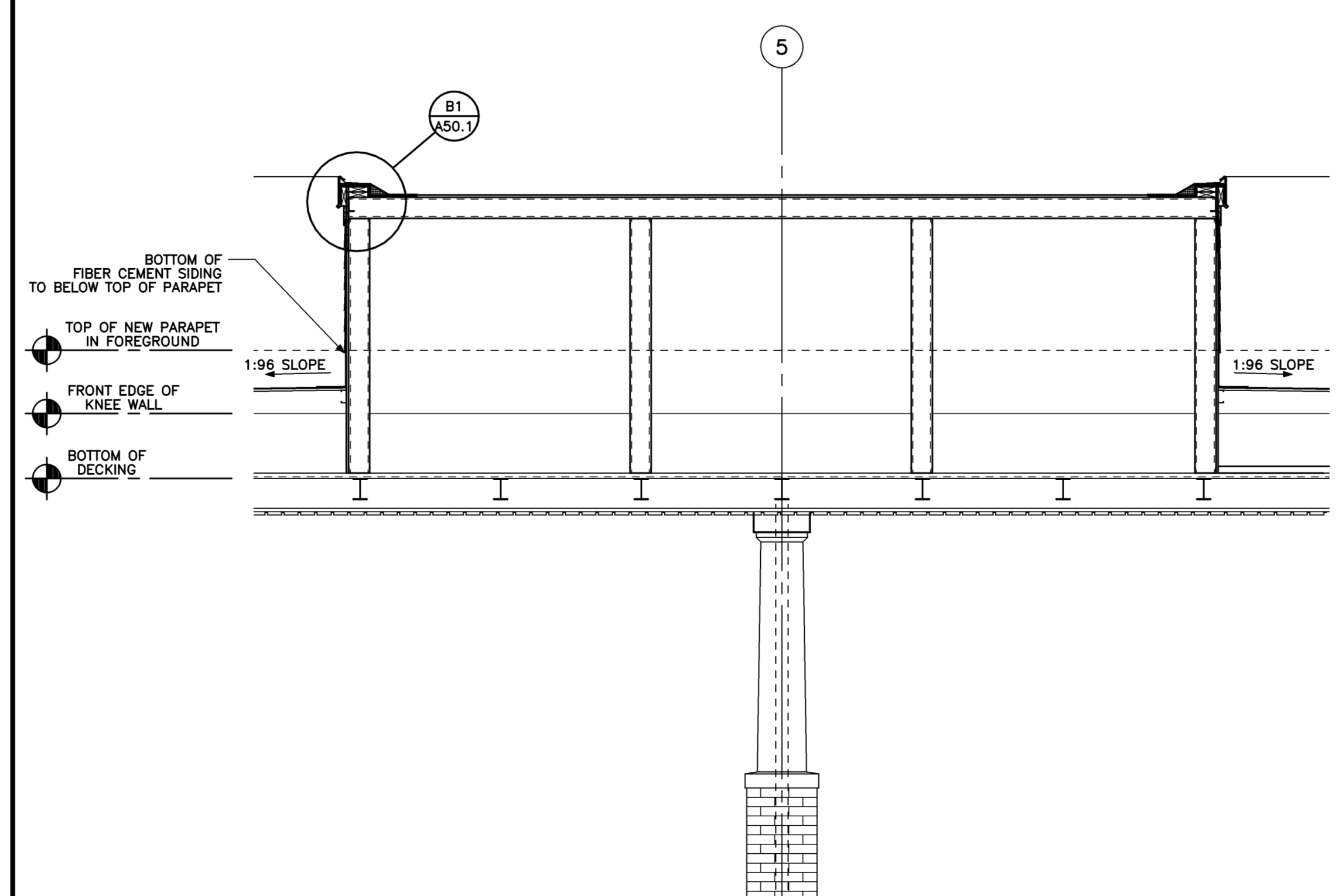
CANOPY SECTION
3/8" = 1'-0" REF: A15.2



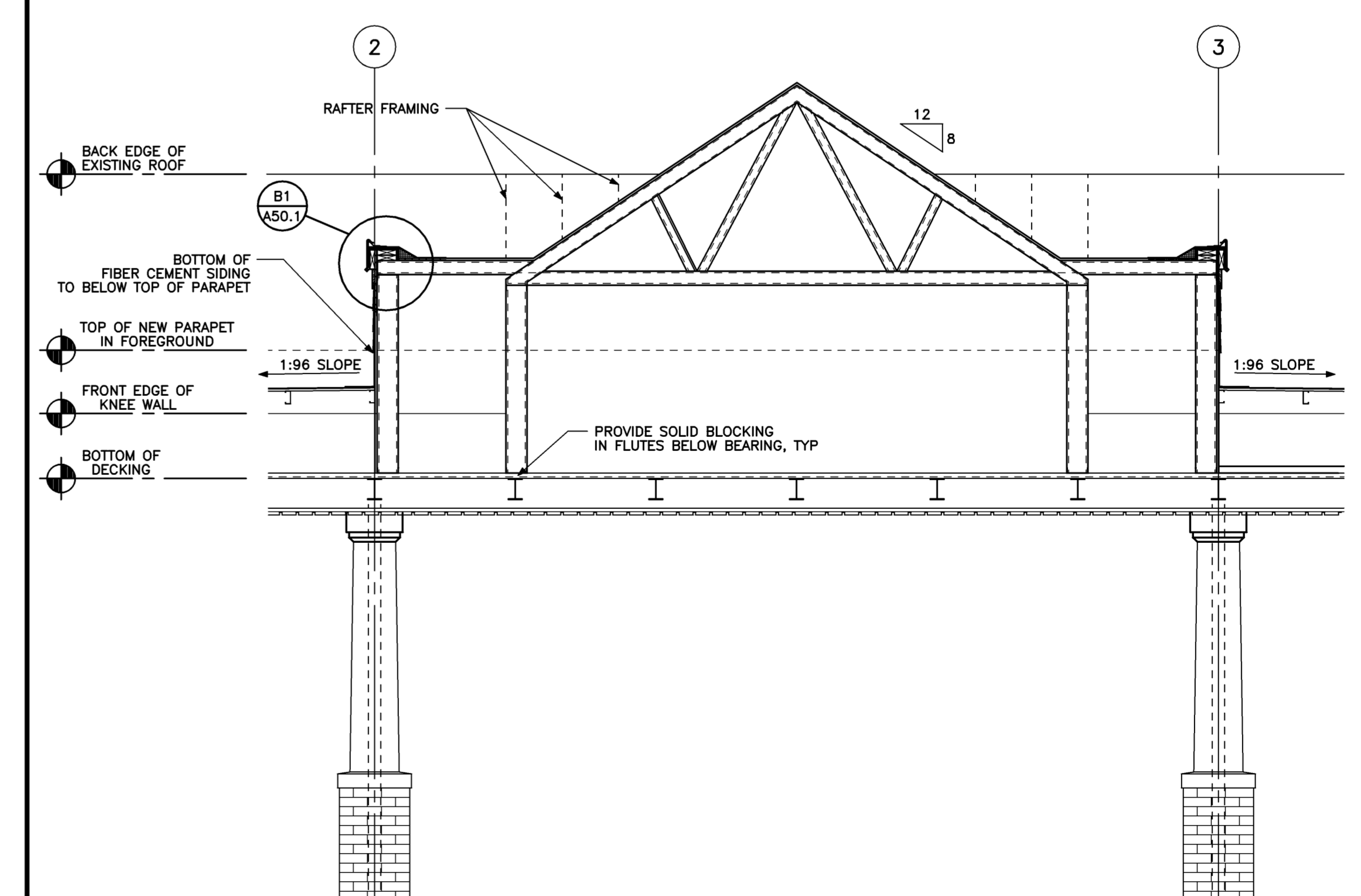
WALL SECTION
3/8" = 1'-0" REF: A15.2



WALL SECTION
3/8" = 1'-0" REF: A15.2



WALL SECTION
3/8" = 1'-0" REF: A15.2



CANOPY SECTION
3/8" = 1'-0" REF: A15.2

Mark	Date	Description
—	03-10-08	ISSUED FOR BID
—	02-26-08	95% REVIEW

Drawing Status