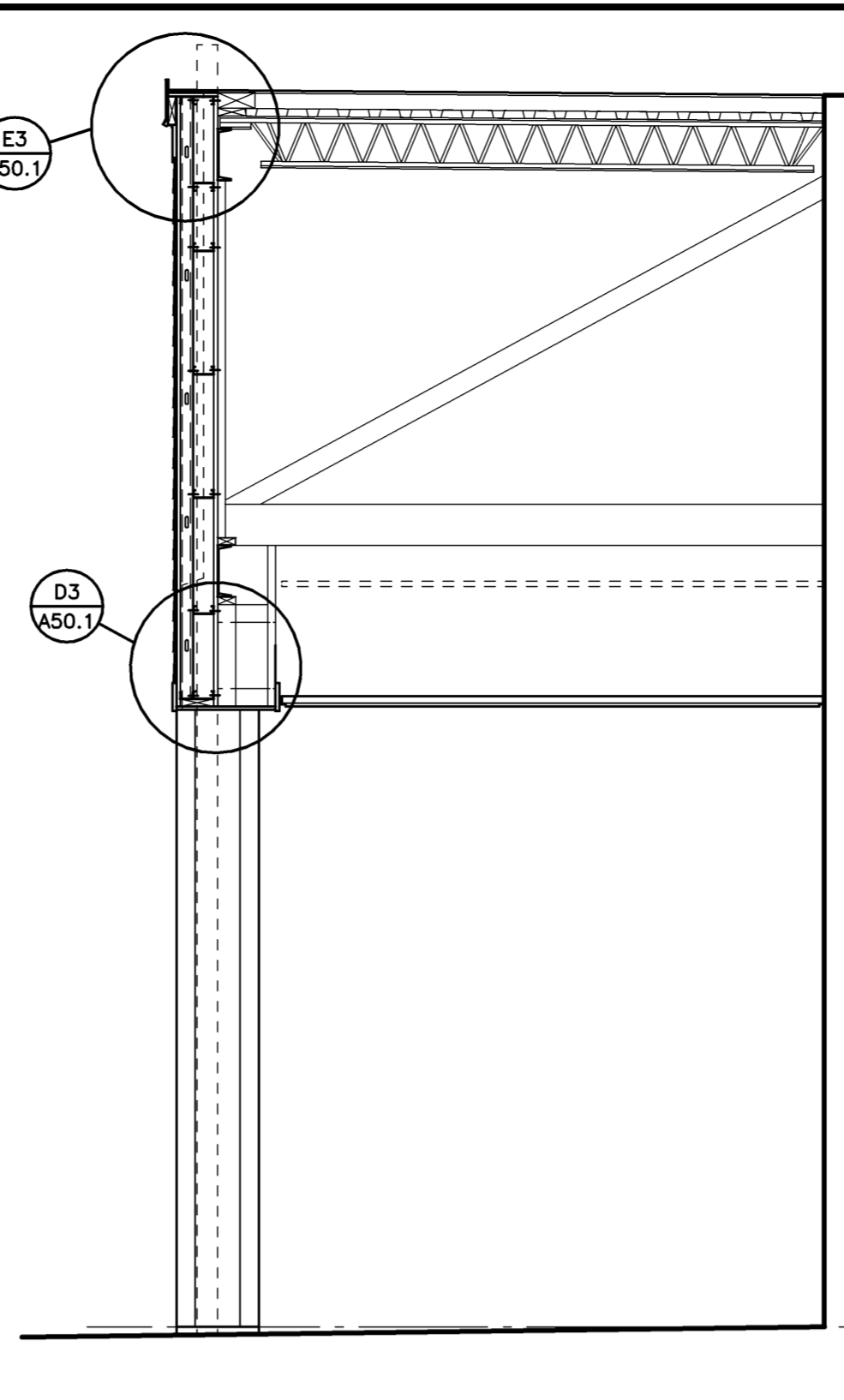
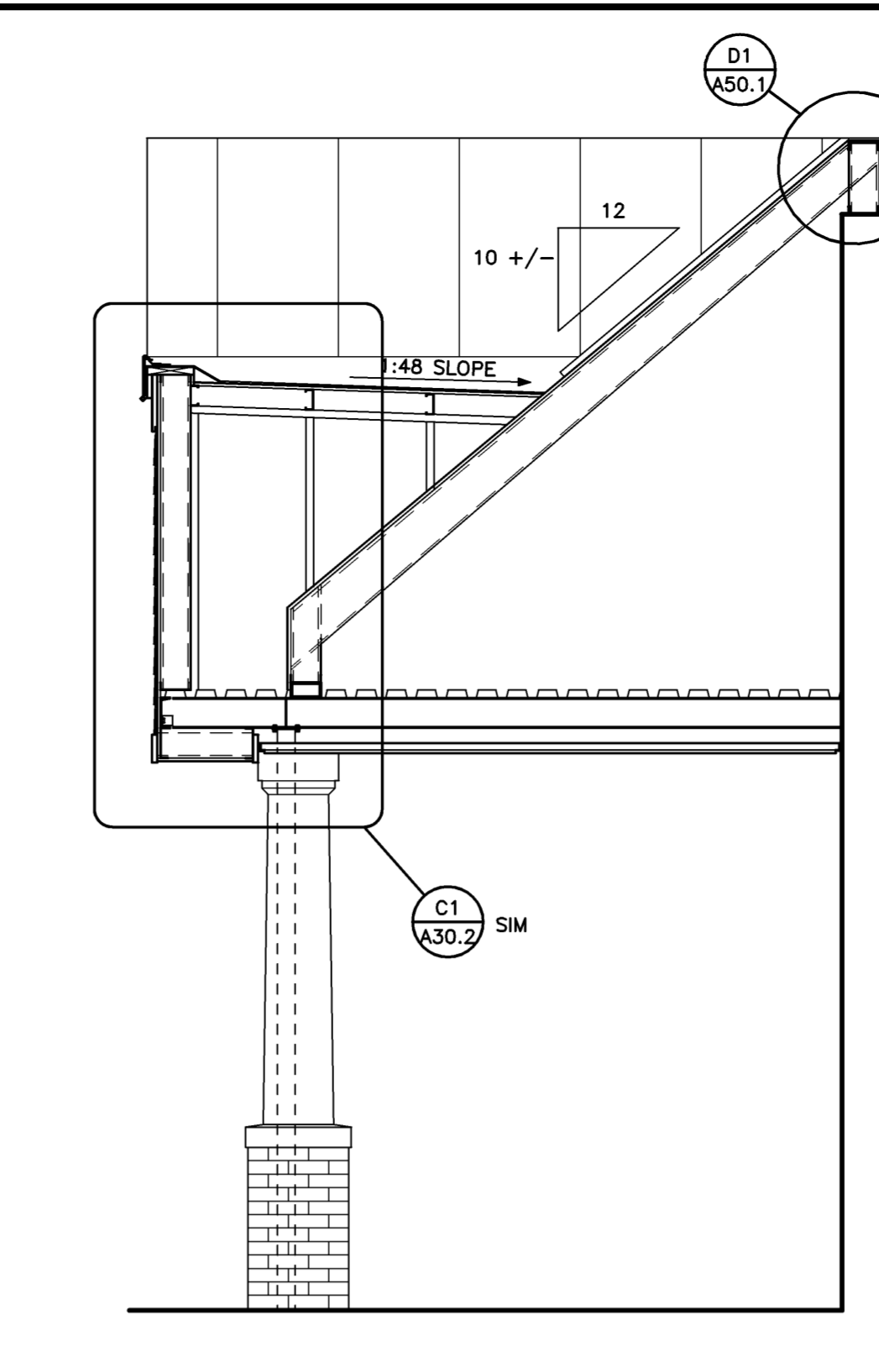


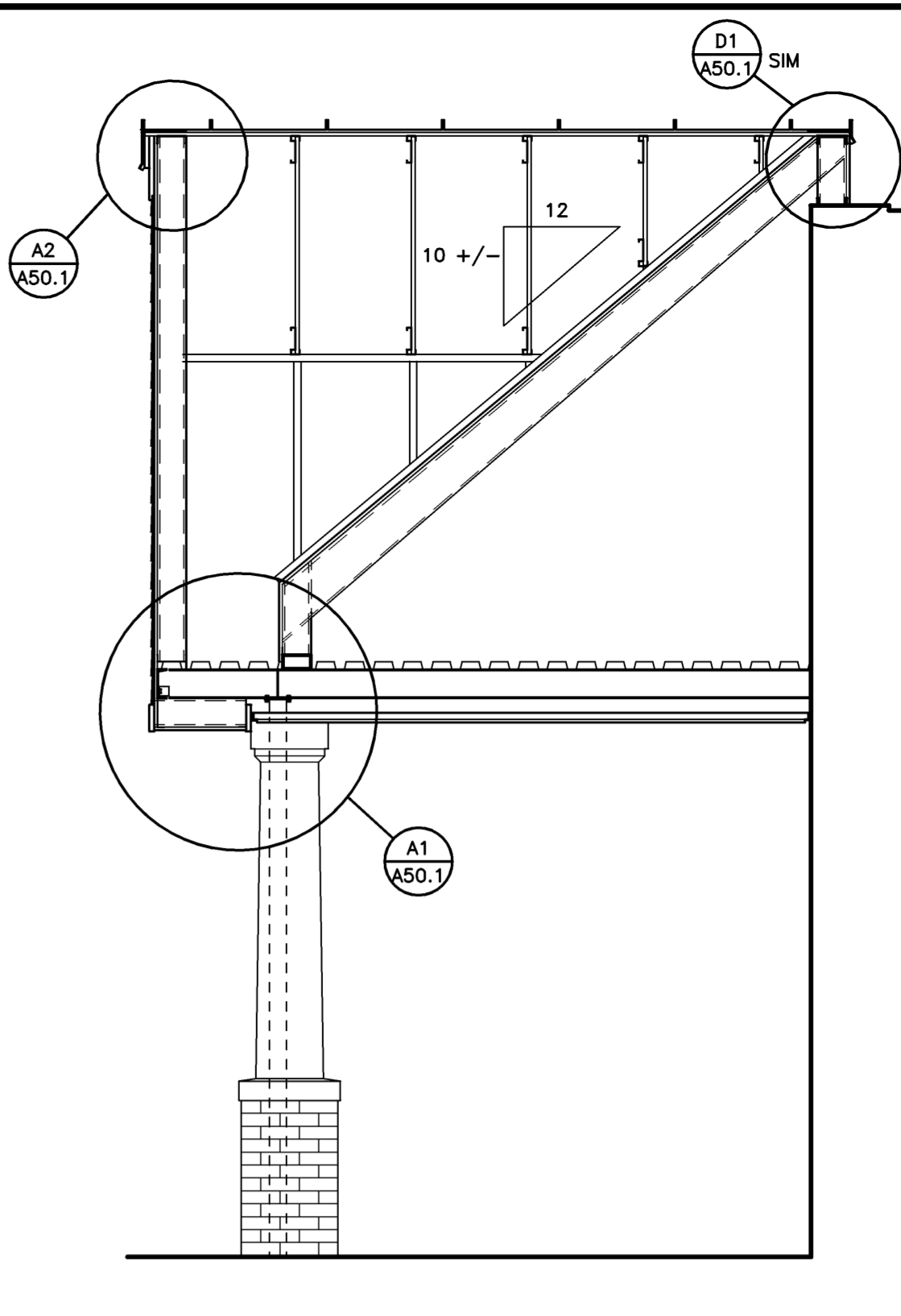
CANOPY SECTION
3/8" = 1'-0" 0 1' 2' 4' REF: A15.2 **C4**



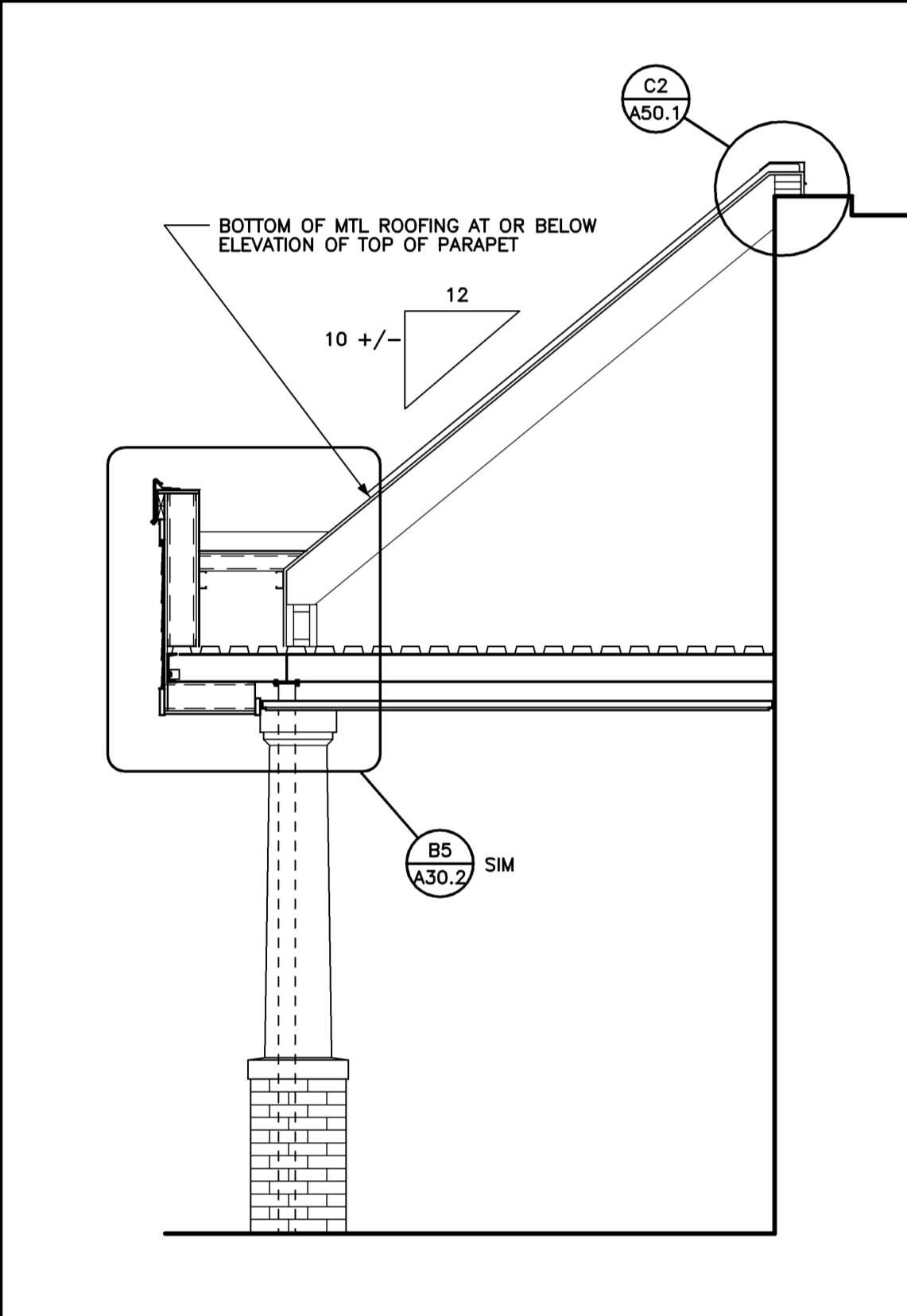
CANOPY SECTION
3/8" = 1'-0" 0 1' 2' 4' REF: A20.1 **C3**



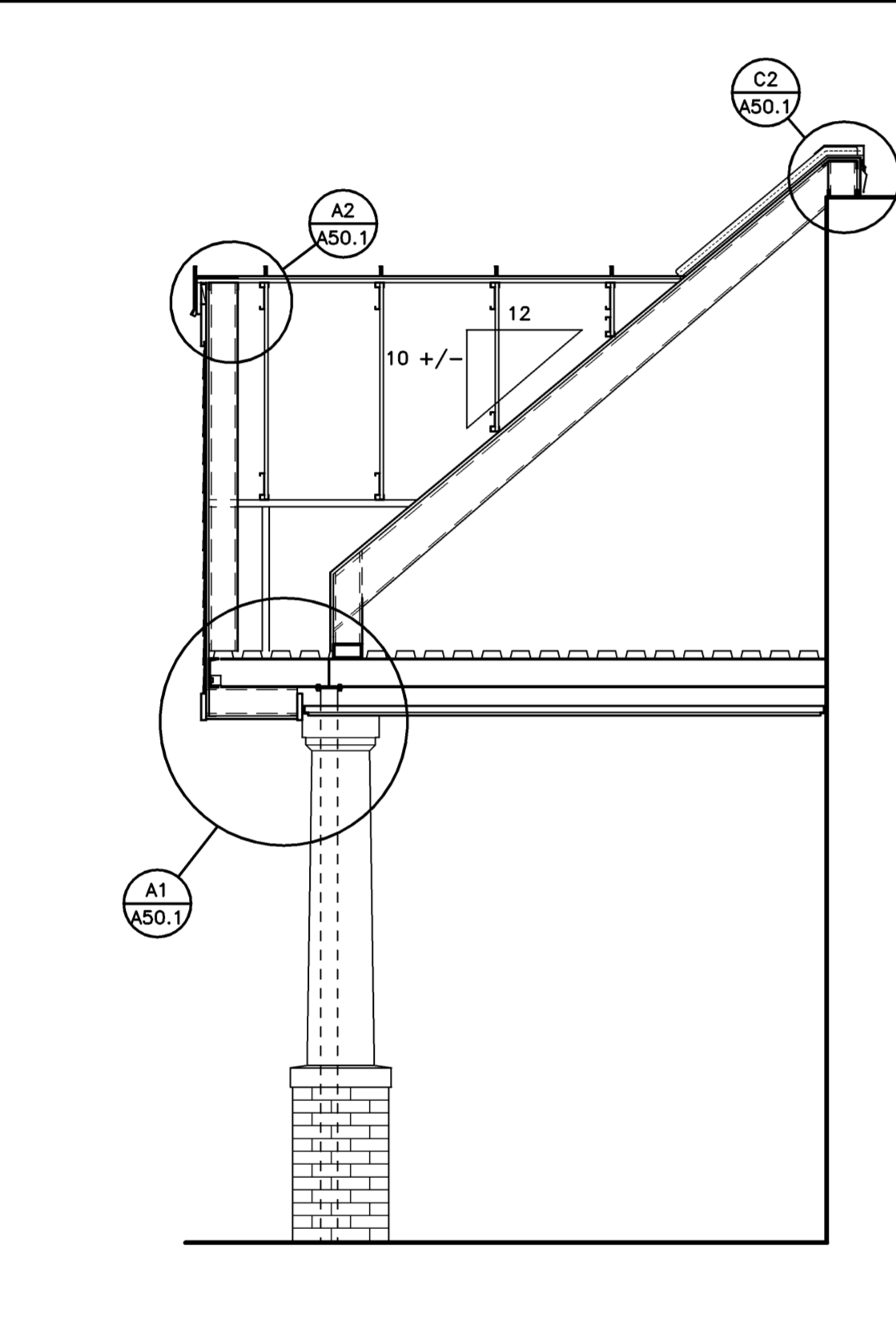
CANOPY SECTION
3/8" = 1'-0" 0 1' 2' 4' REF: A20.1 **C2**



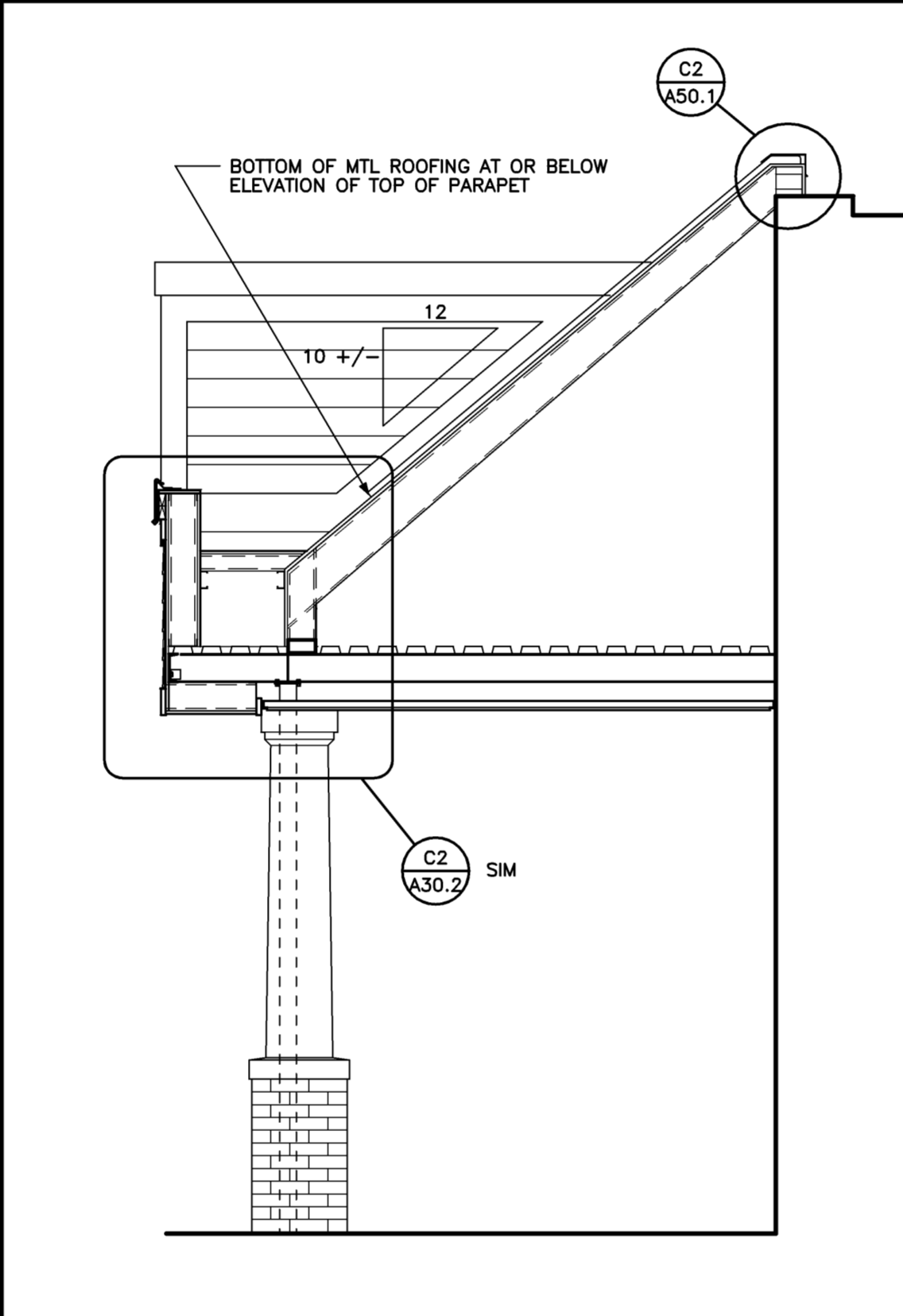
CANOPY SECTION
3/8" = 1'-0" 0 1' 2' 4' REF: A20.1 **C1**



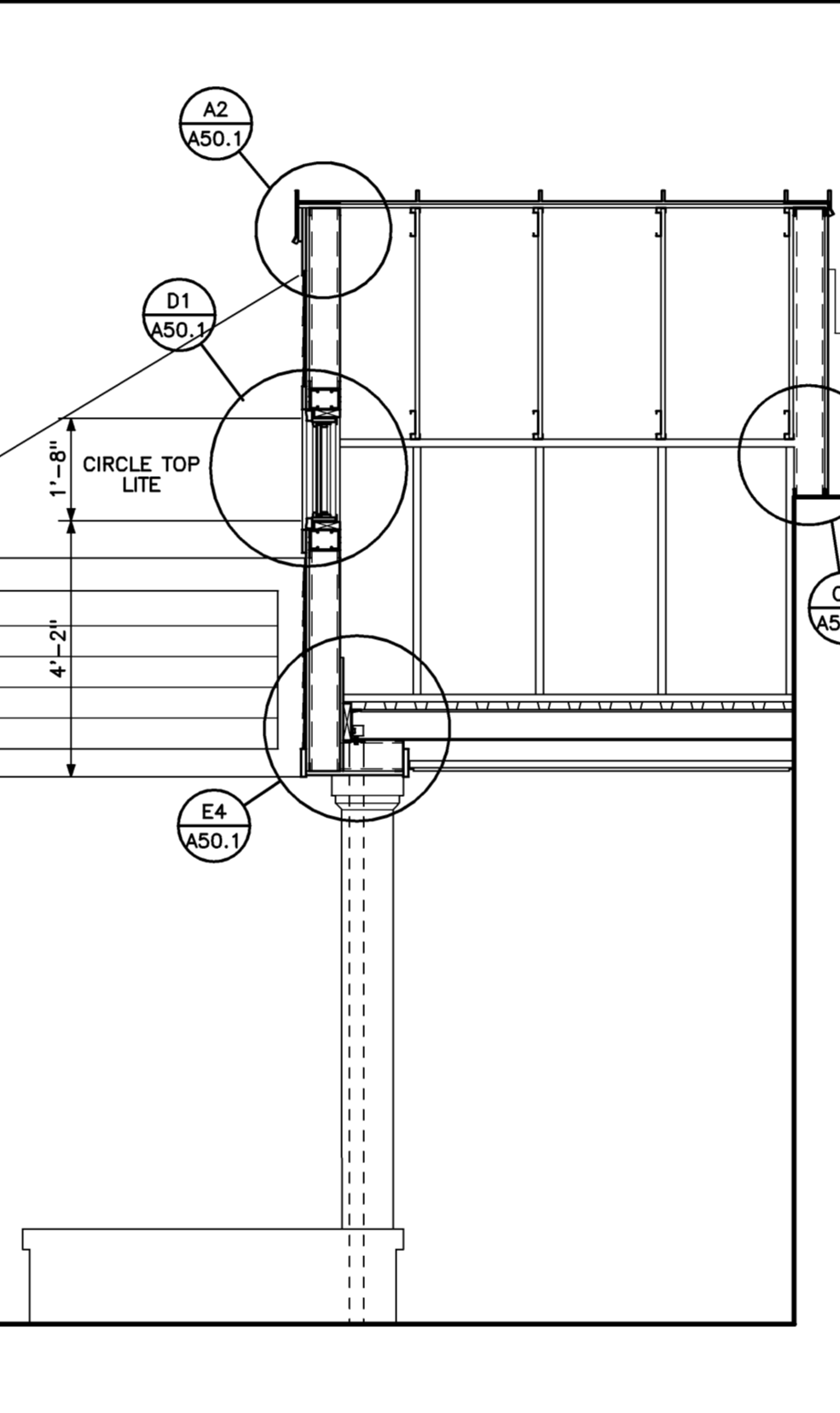
CANOPY SECTION
3/8" = 1'-0" 0 1' 2' 4' REF: A20.1 **B6**



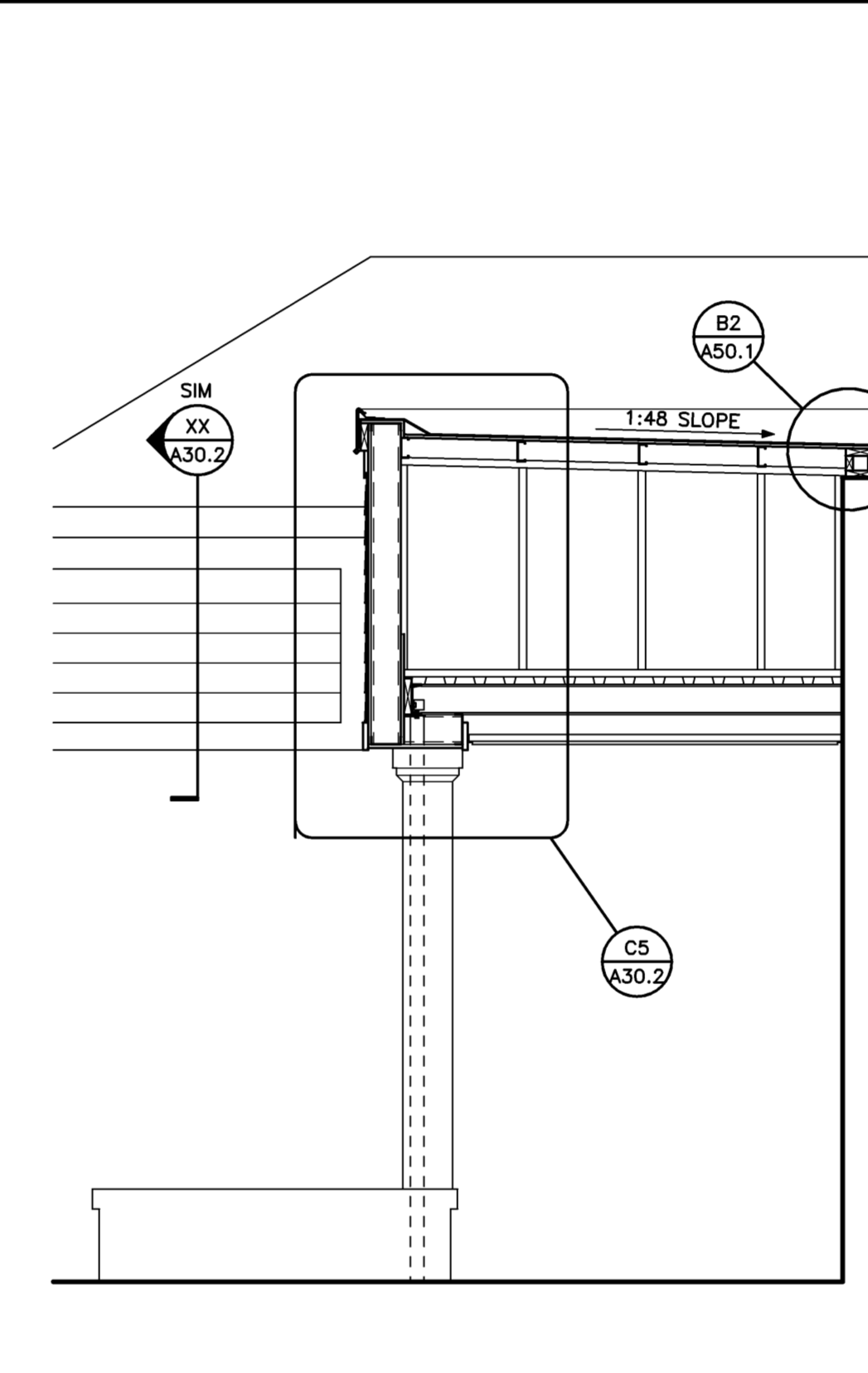
CANOPY SECTION
3/8" = 1'-0" 0 1' 2' 4' REF: A20.1 **B5**



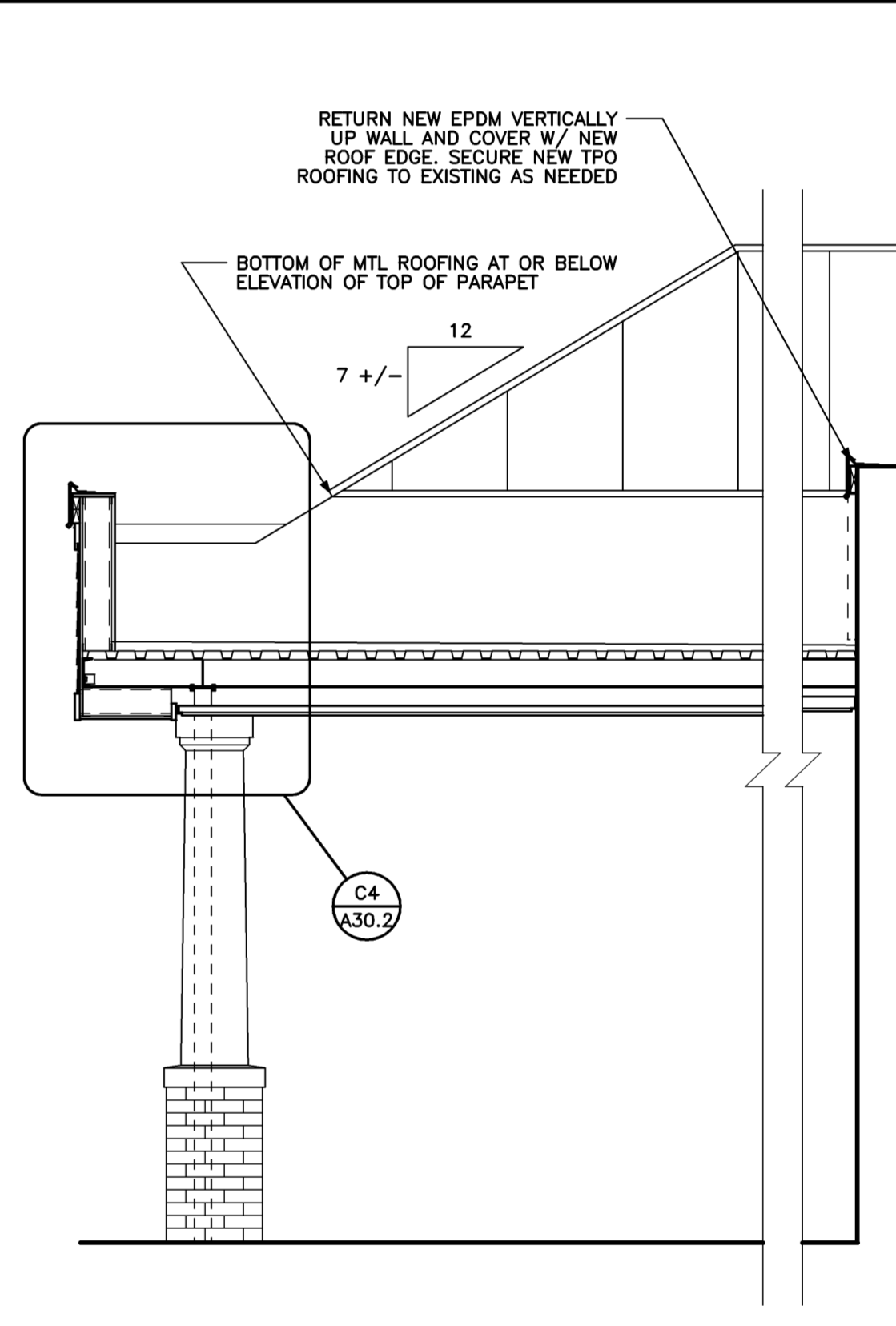
CANOPY SECTION
3/8" = 1'-0" 0 1' 2' 4' REF: A20.1 **B4**



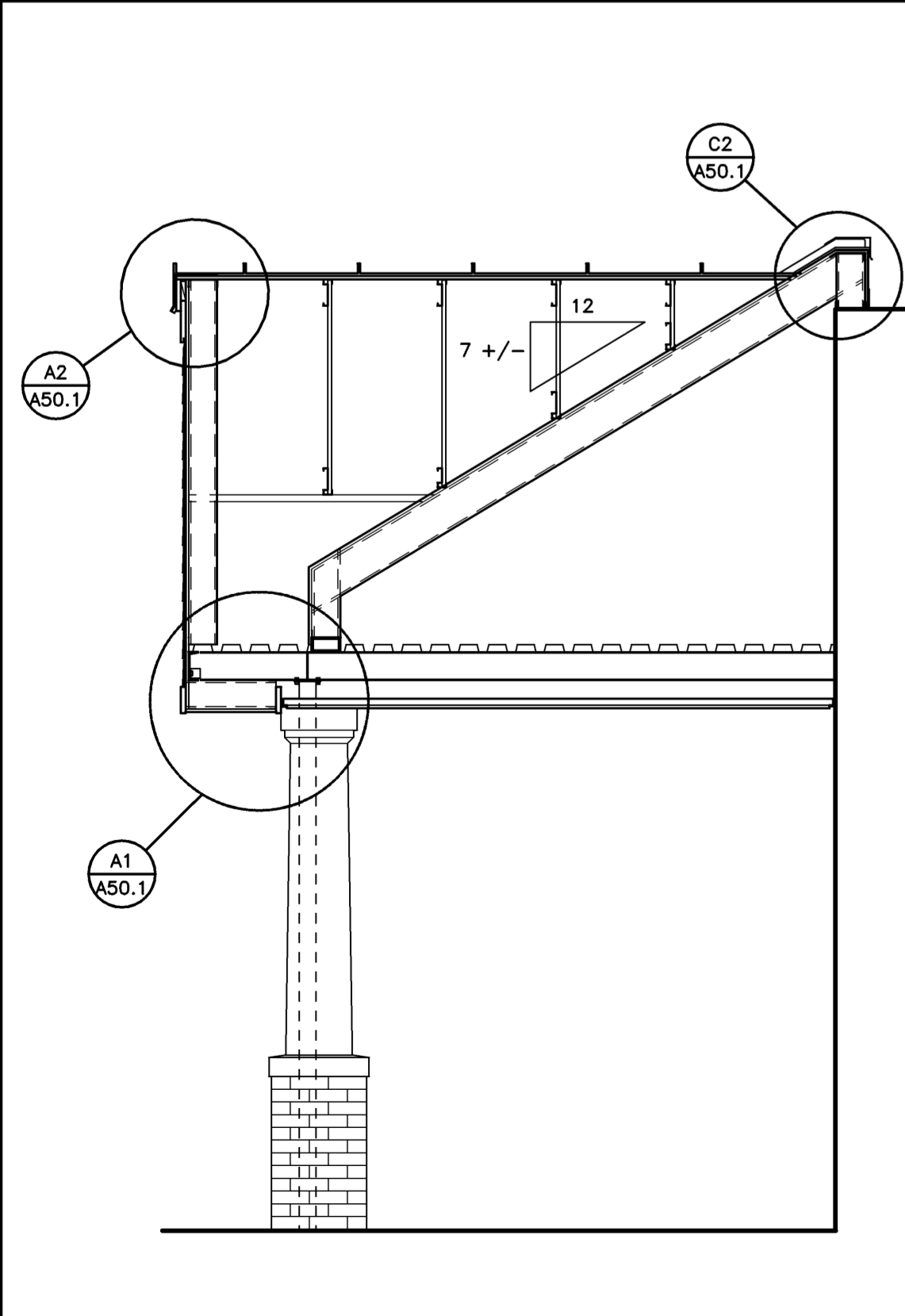
CANOPY SECTION
3/8" = 1'-0" 0 1' 2' 4' REF: A20.1 **B3**



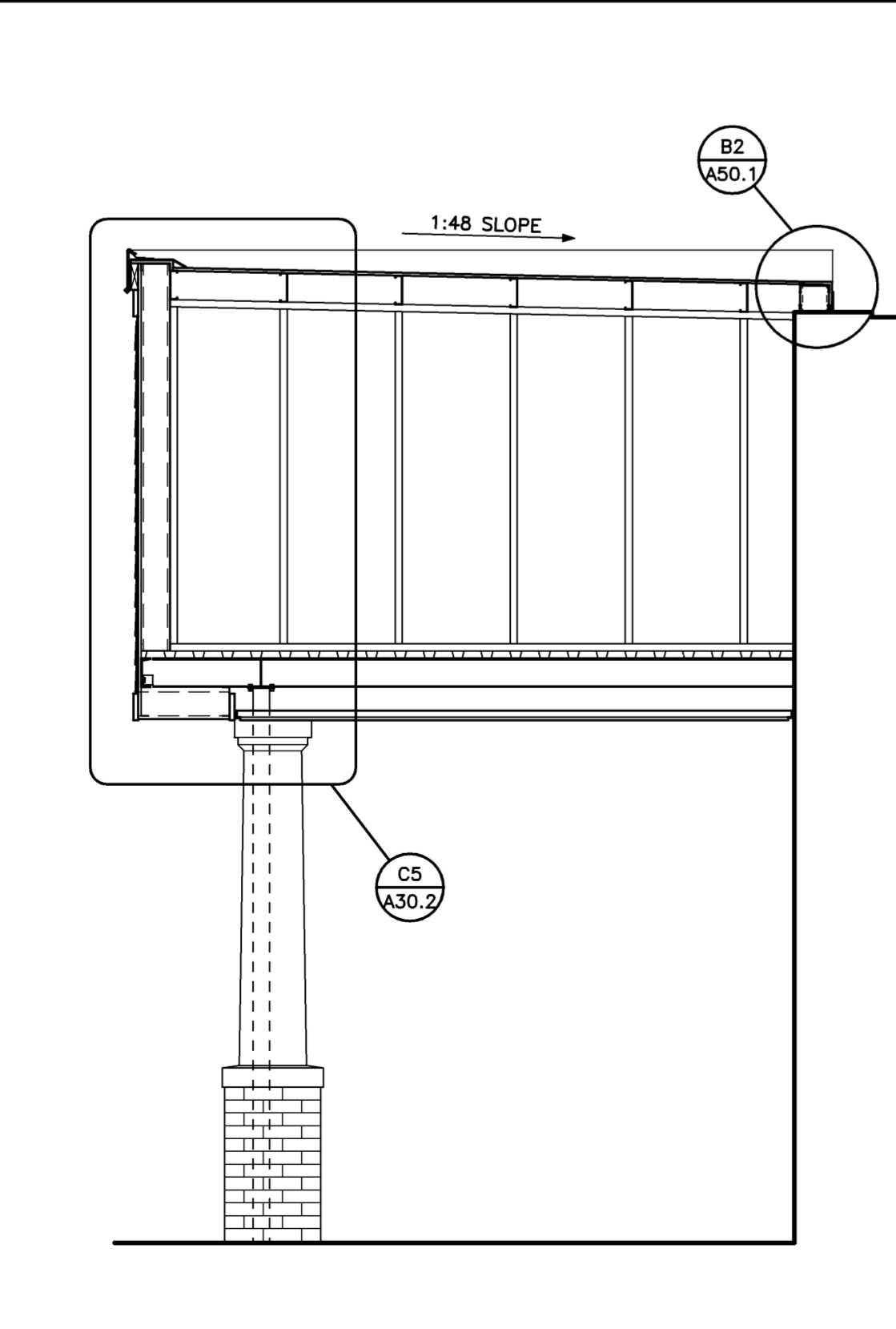
CANOPY SECTION
3/8" = 1'-0" 0 1' 2' 4' REF: A20.1 **B2**



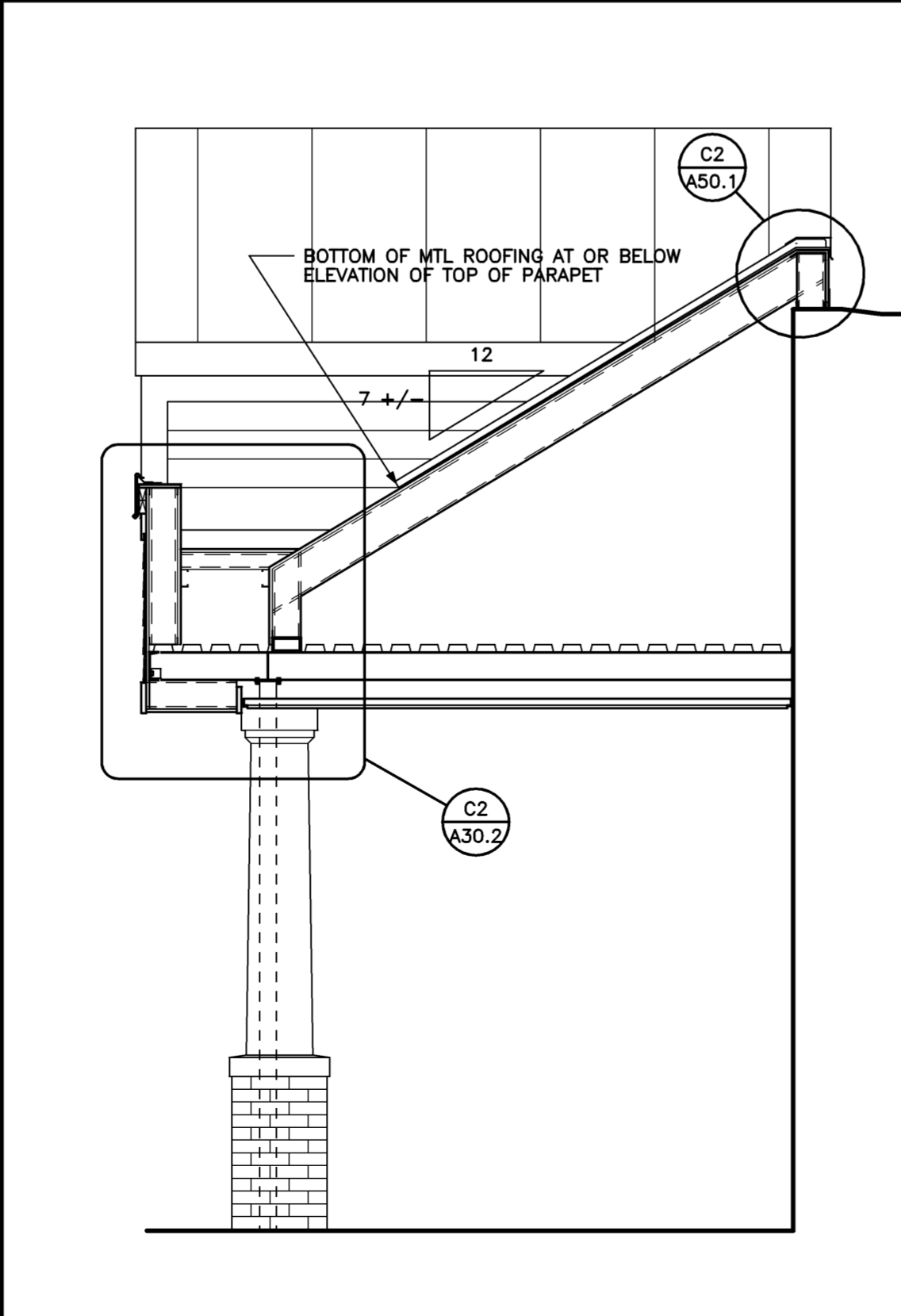
CANOPY SECTION
3/8" = 1'-0" 0 1' 2' 4' REF: A20.1 **B1**



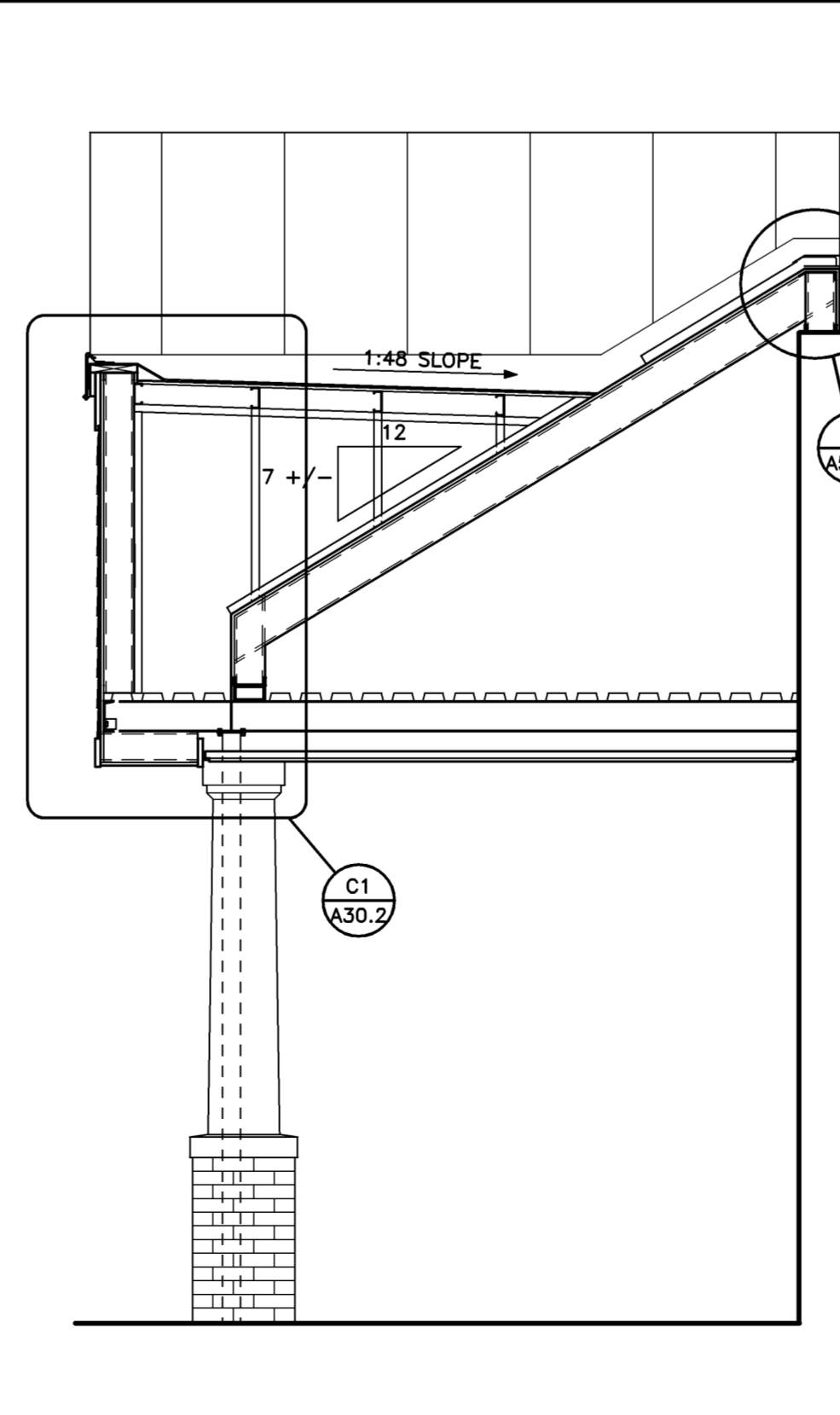
CANOPY SECTION
3/8" = 1'-0" 0 1' 2' 4' REF: A20.1 **A6**



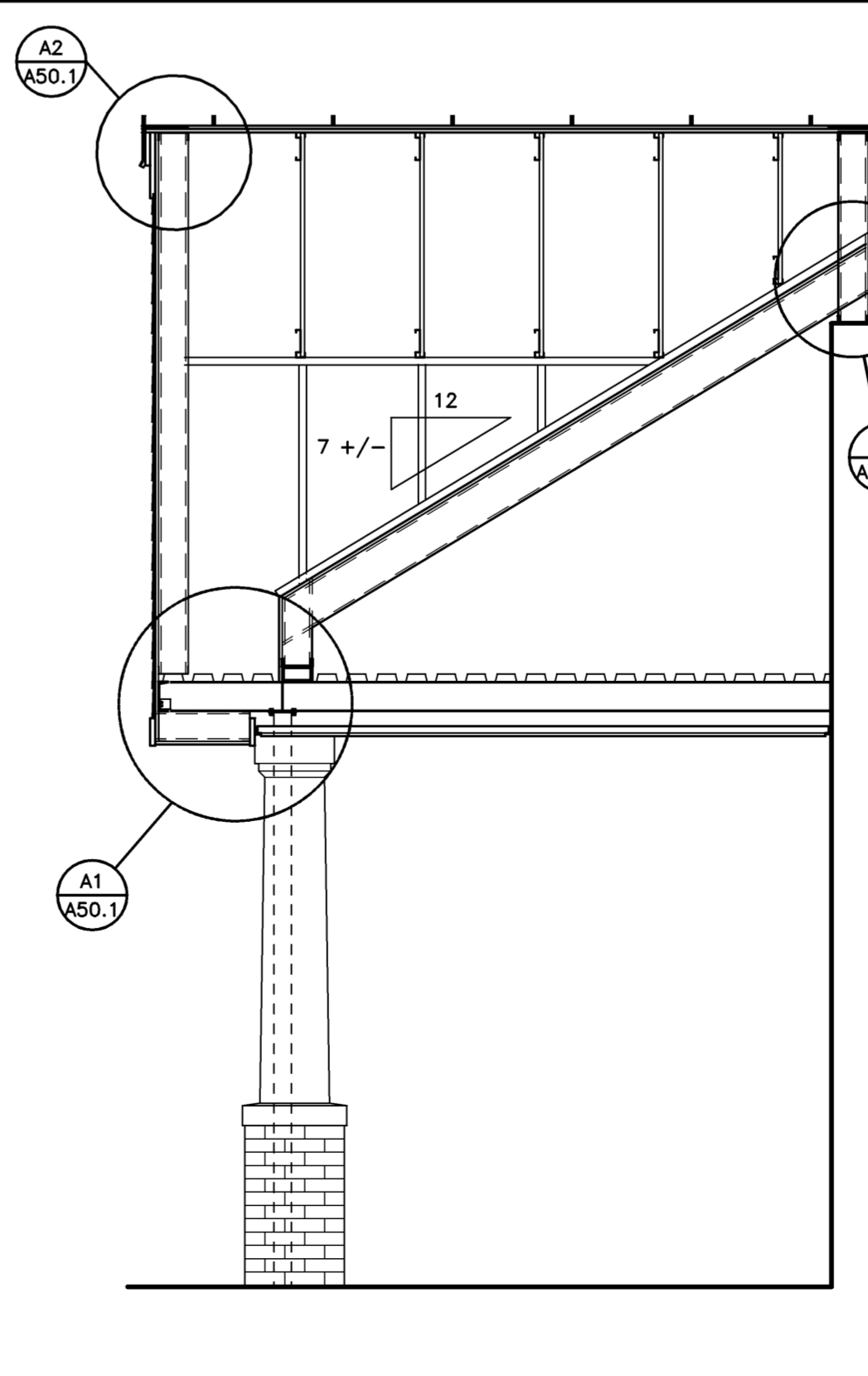
CANOPY SECTION
3/8" = 1'-0" 0 1' 2' 4' REF: A20.1 **A5**



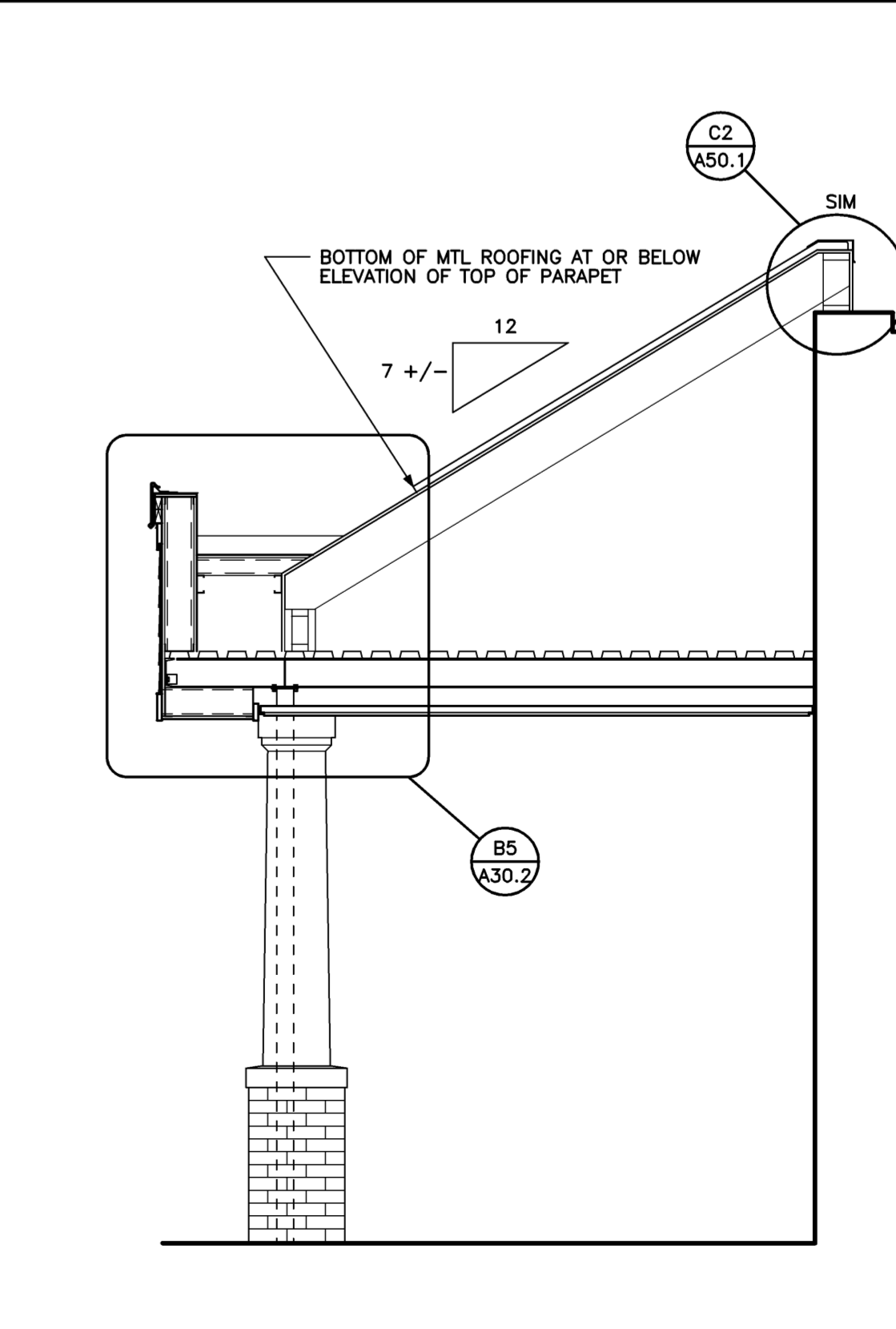
CANOPY SECTION
3/8" = 1'-0" 0 1' 2' 4' REF: A20.1 **A4**



CANOPY SECTION
3/8" = 1'-0" 0 1' 2' 4' REF: A20.1 **A3**



CANOPY SECTION
3/8" = 1'-0" 0 1' 2' 4' REF: A20.1 **A2**



CANOPY SECTION
3/8" = 1'-0" 0 1' 2' 4' REF: A20.1 **A1**

03-10-08	ISSUED FOR BID
02-26-08	95% REVIEW
Mark	Date Description
Issue Dates	

Drawing Status

Drawing Title
CANOPY SECTIONS
PA / PE: **DRE** Drawn By: **KMM**
Drawing Number

A30.1