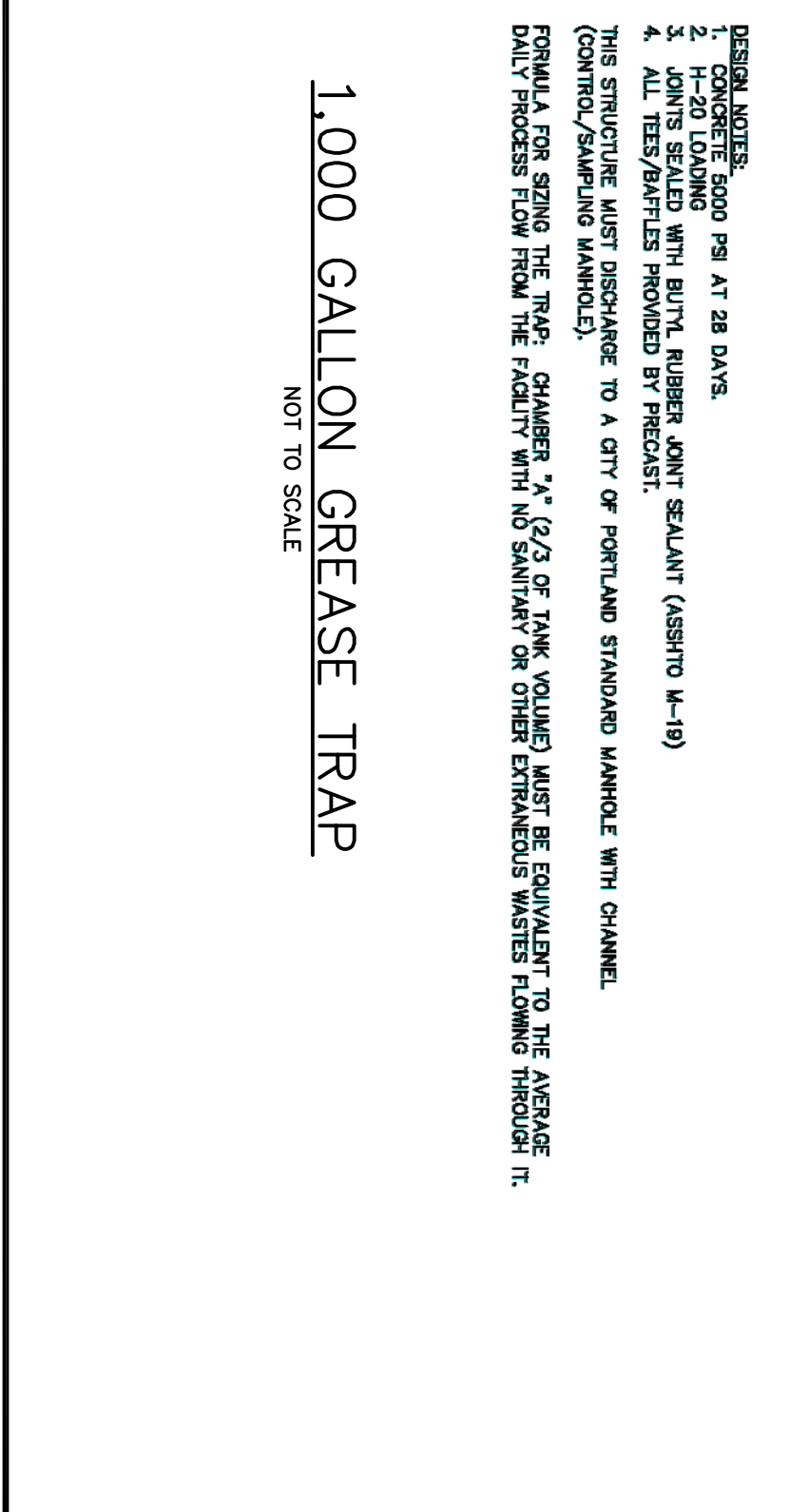
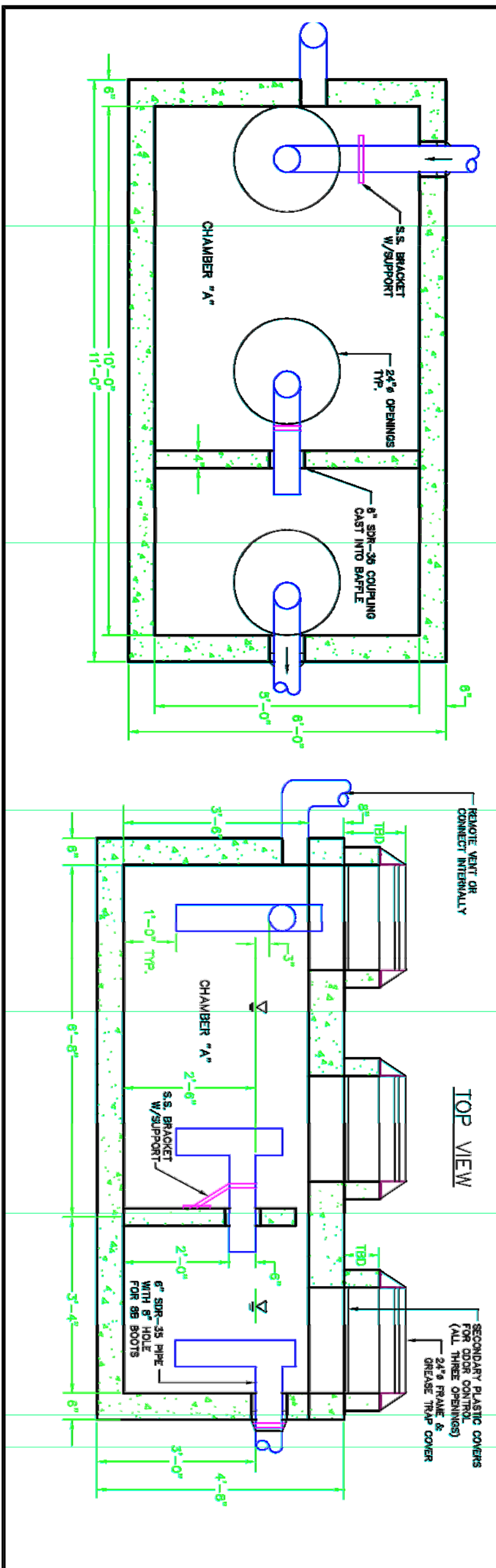
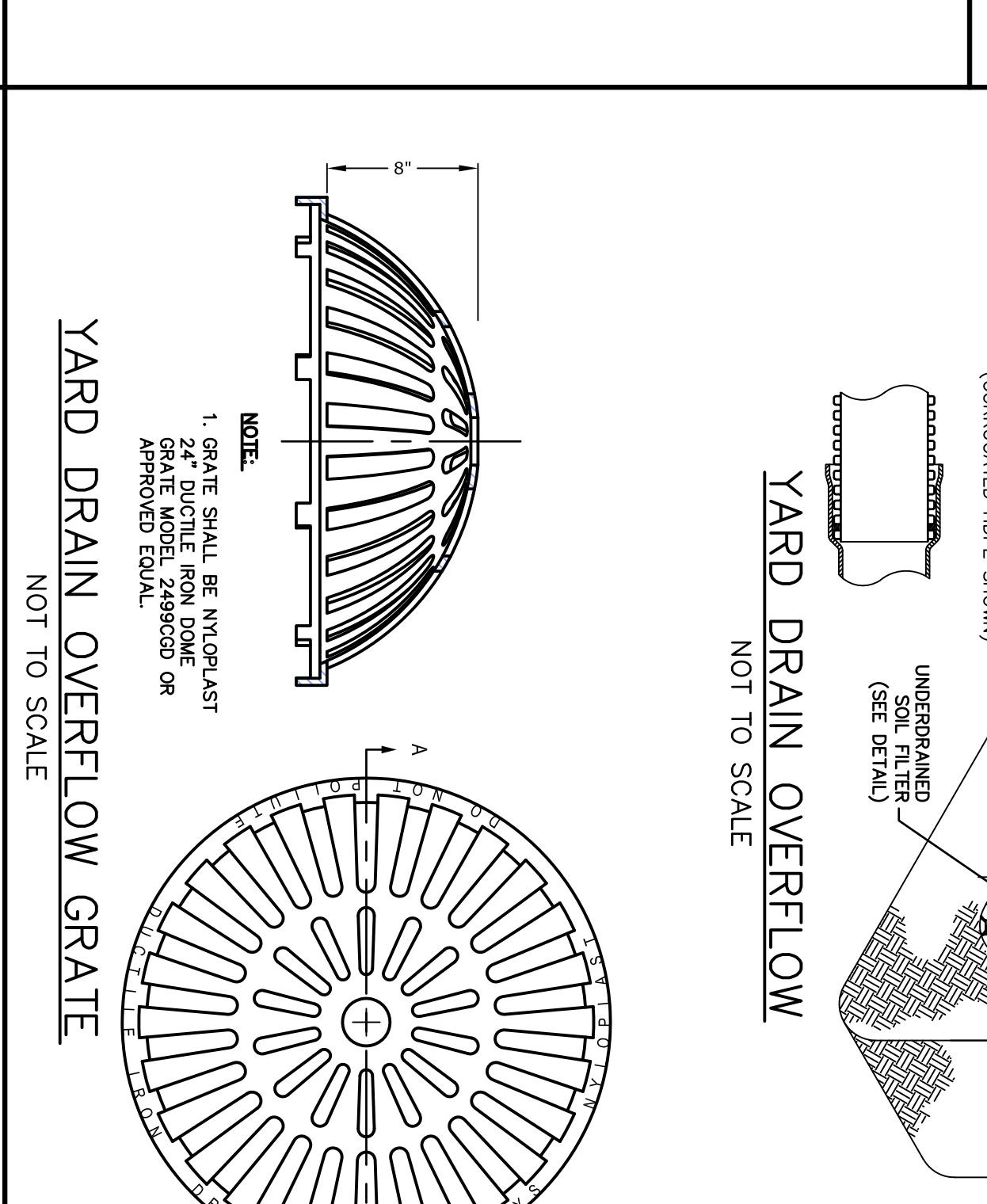
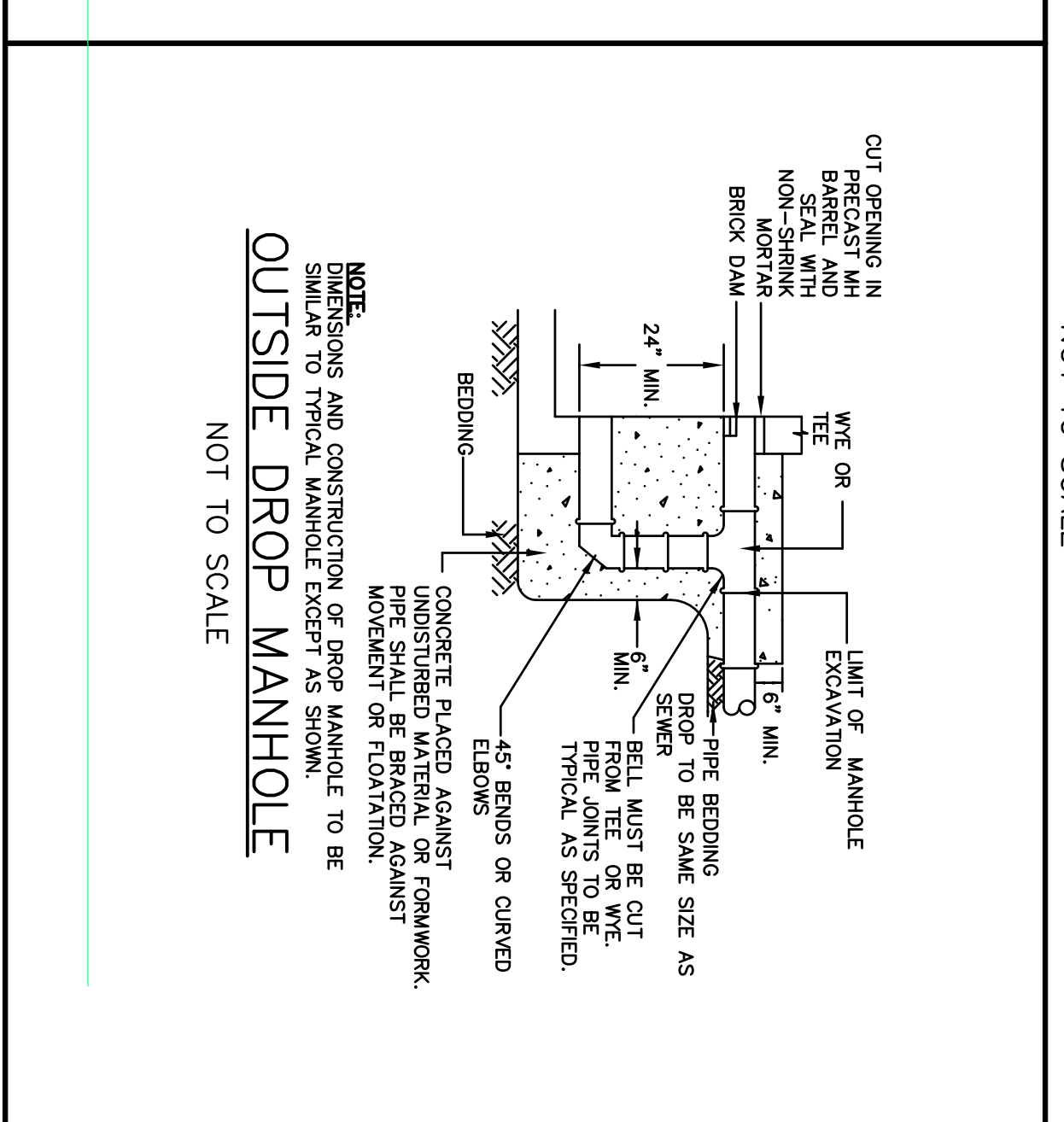
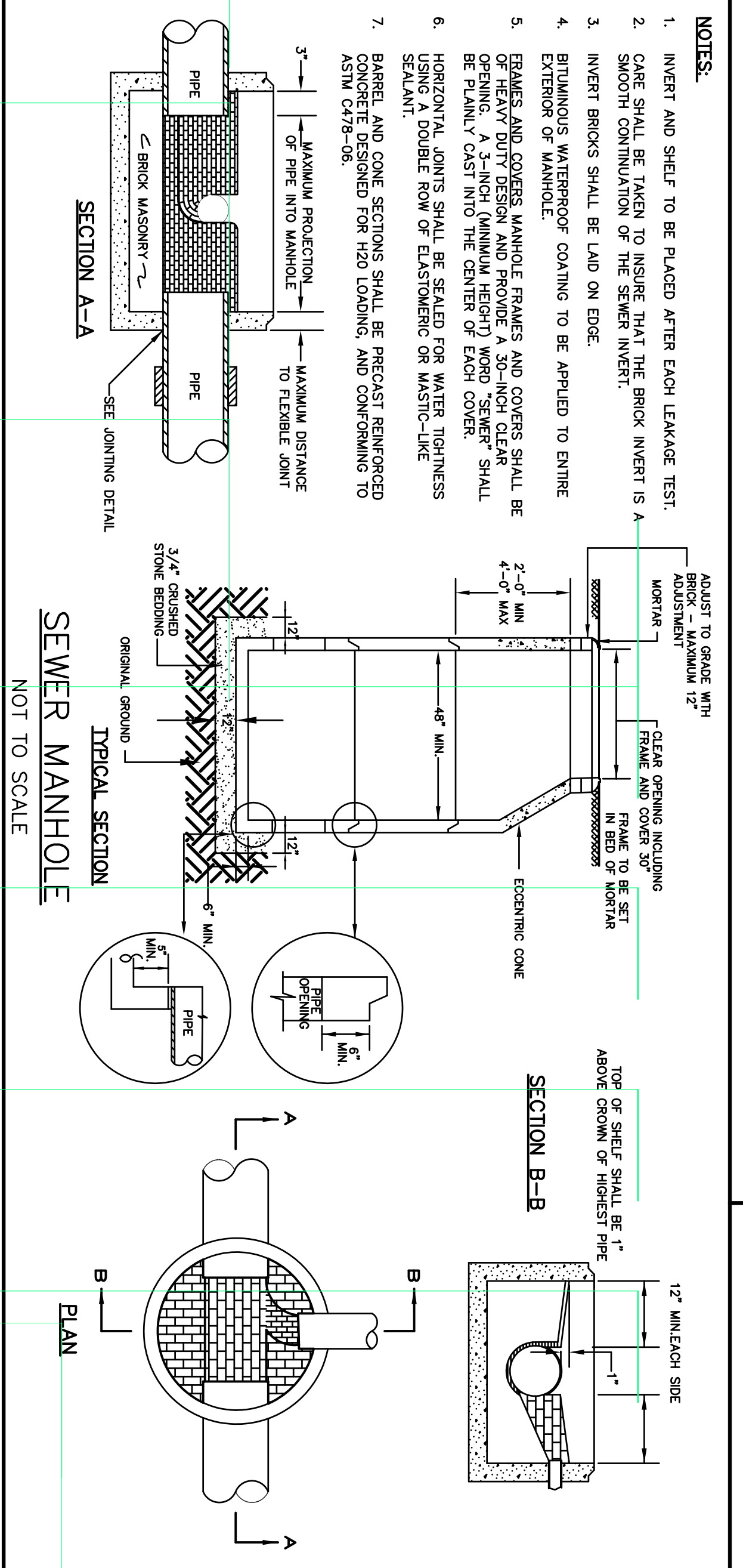
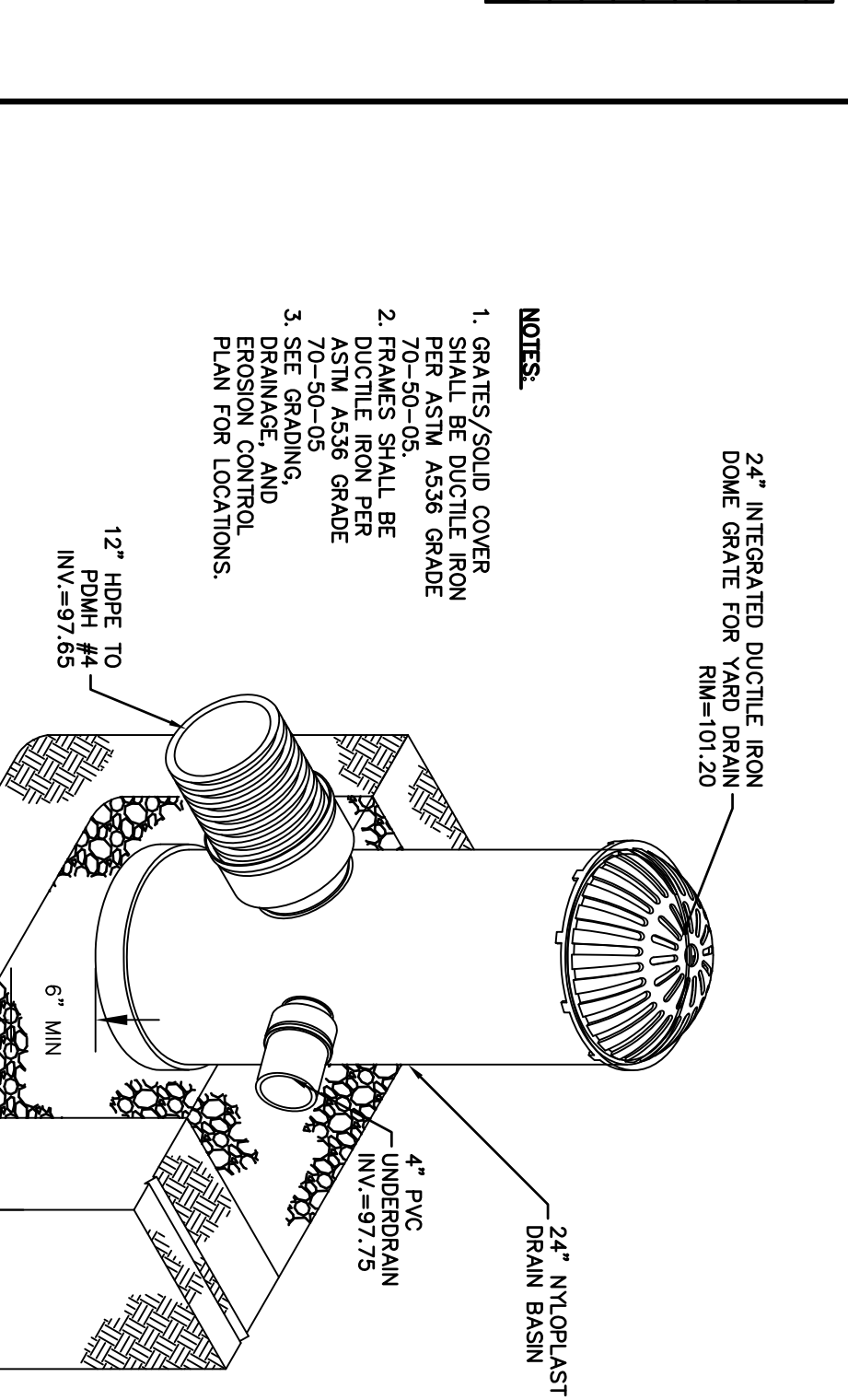
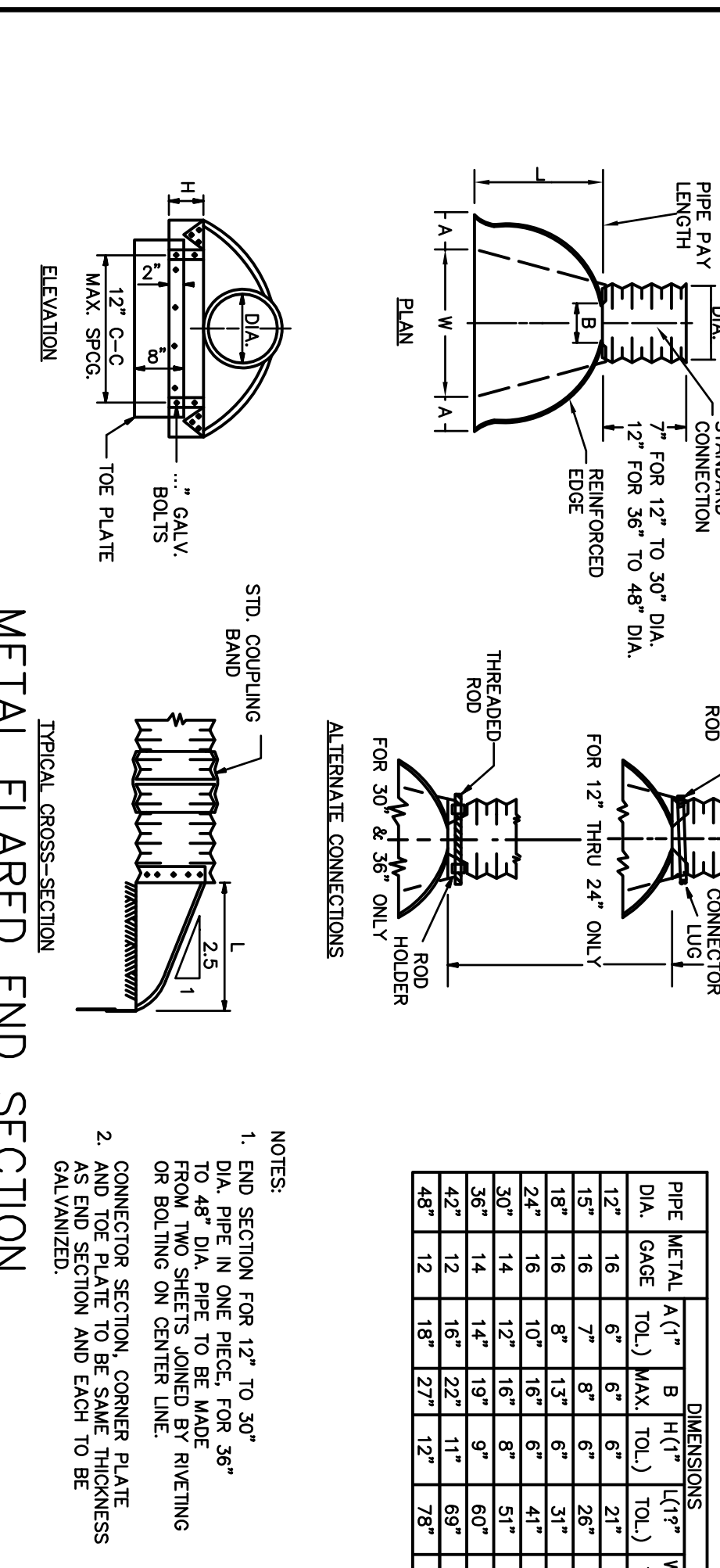
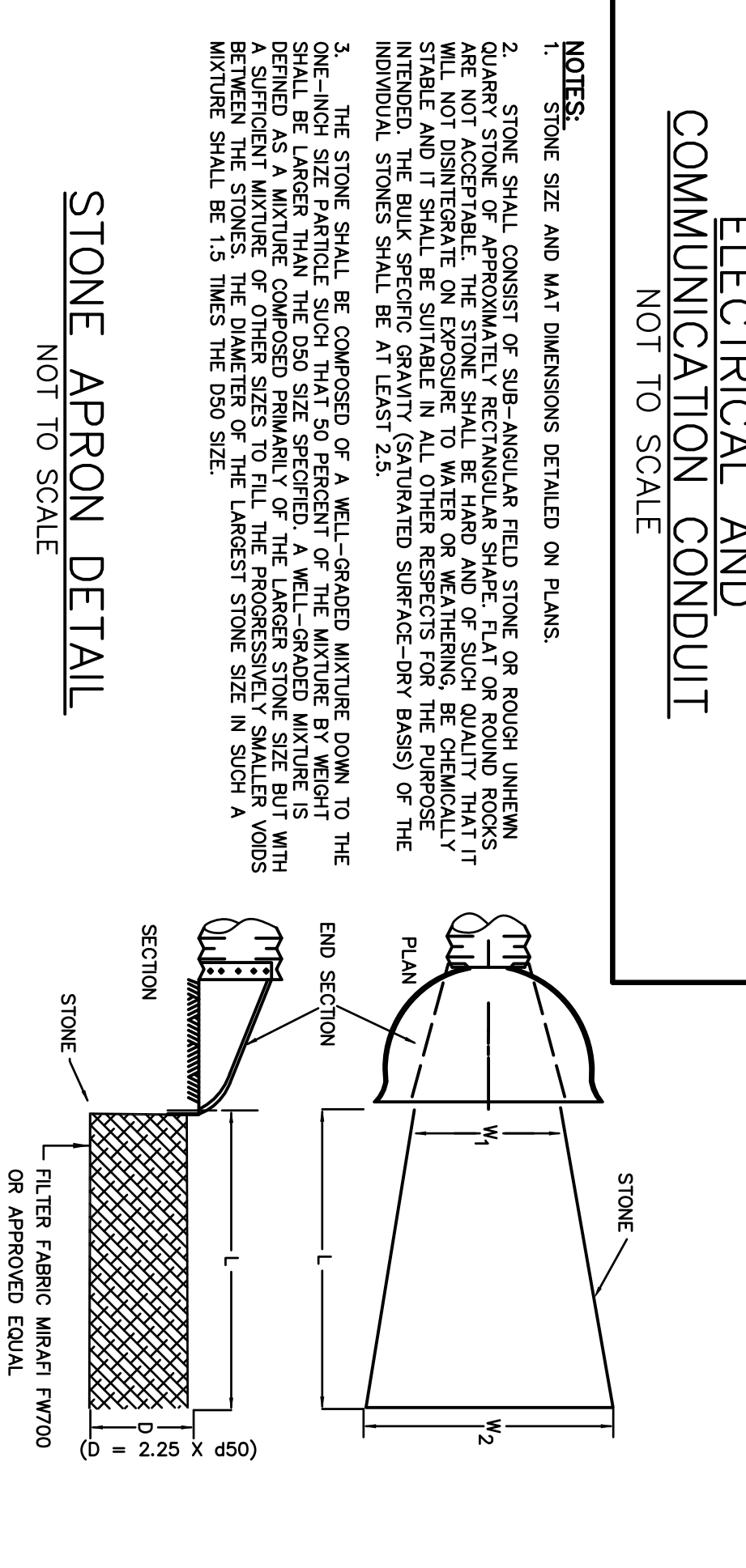


ELTER MEDIA COMPOSITION:

COMPONENT MATERIAL	PERCENT BY WEIGHT	GRADATION OF MATERIAL
PERCY C-33 CONCRETE SAND	20-30	ASTM C-33
WASHED SAND	20-30	ASTM C-33
BARK OR WOOD FIBER MULCH	5 MAX.	ASTM C-33

NOTES:

1. BARK MULCH SHALL BE A MINIMUM OF 12 MONTHS AND SHALL NOT FLOAT.
2. UNDERDRAINED SOIL FILTER SHALL NOT BE PLACED INTO SERVICE UNTIL THE PRACTICE HAS BEEN INSPECTED AND IS CONFORMING WITH ALL RELEVANT REGULATORY REQUIREMENTS.
3. KEEP ALL EXCAVATION EQUIPMENT OUTSIDE OF THE LIMIT OF THE UNDERDRAINED SOIL FILTER.
4. SEE GRADING, DRAINAGE & EROSION CONTROL PLAN FOR LOCATIONS, LAYOUTS, AND ELEVATIONS.
5. BELIEF POSITION PERCENT PASSING



Tighte & Bond
Consulting Engineers
www.tightebond.com

Jewish Community Alliance of Southern Maine
Proposed Neighborhood Center
Portland, Maine

April 03, 2015

REVISIONS:

NO.	DATE	DESCRIPTION
1.	5/8/15	REVISED FOR PER SUBMISSION
2.	6/23/15	REVISED FOR PER SUBMISSION

PROJECT NO.: J0096-DETAILS.dwg
FILE: J0096-DETAILS.dwg
DRAWN BY: GWH
CHECKED: BLM
APPROVED BY: BLM

DETAILS SHEET

SCALE: AS SHOWN

C-7